

MERITOR® BRAKE, TRAILER AXLE AND WHEEL ATTACHING PARTS

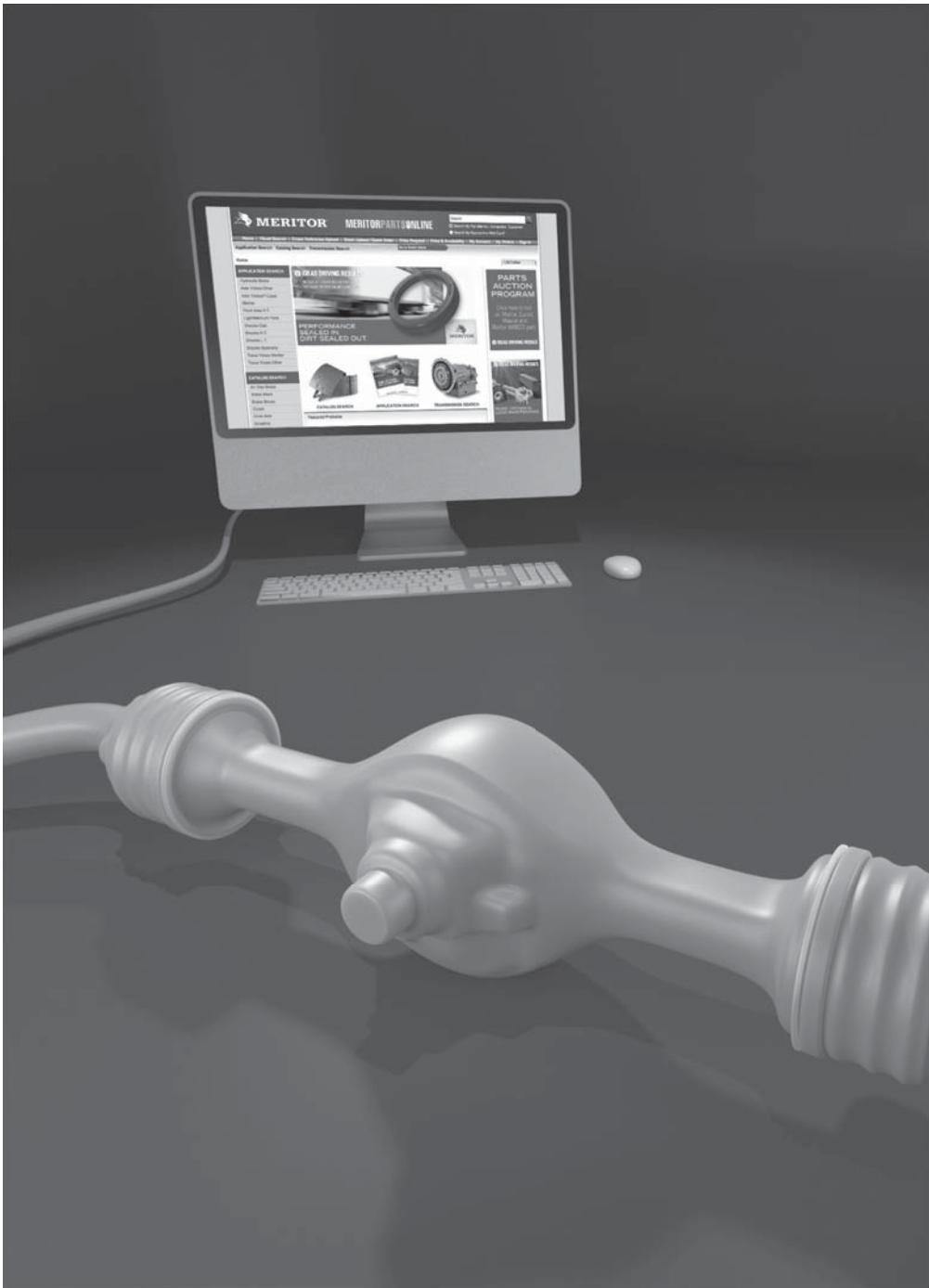


MERITOR



TABLE OF CONTENTS

| | |
|--|-----------|
| Brake Assembly Drawings | 1 |
| Brake Repair Kits | 2 |
| Brake Shoe Hardware | 3 |
| Brake Shoes and Related Parts | 4 |
| Common Fasteners and Hardware | 5 |
| Dust Shields | 6 |
| Camshafts and Related Parts | 7 |
| Slack Adjusters and Related Parts | 8 |
| Air Chambers and Related Parts | 9 |
| Wedge Brake Parts | 10 |
| Wheel End Parts | 11 |
| Competitive Cross Reference | 12 |
| Numerical Parts Listing | 13 |



MERITOR WABCO
Safety Strong. Efficiency Smart.

Mascot
Truck Parts
a **MERITOR** brand

EUCLID

MERITORPARTSONLINE.COM

Your 24/7/365 access to Meritor®, Euclid, Mascot and Meritor WABCO parts ordering, plus real-time pricing, parts comparisons and in-depth technical information.

©2013 Meritor, Inc. meritor.com



MERITOR

INDEX

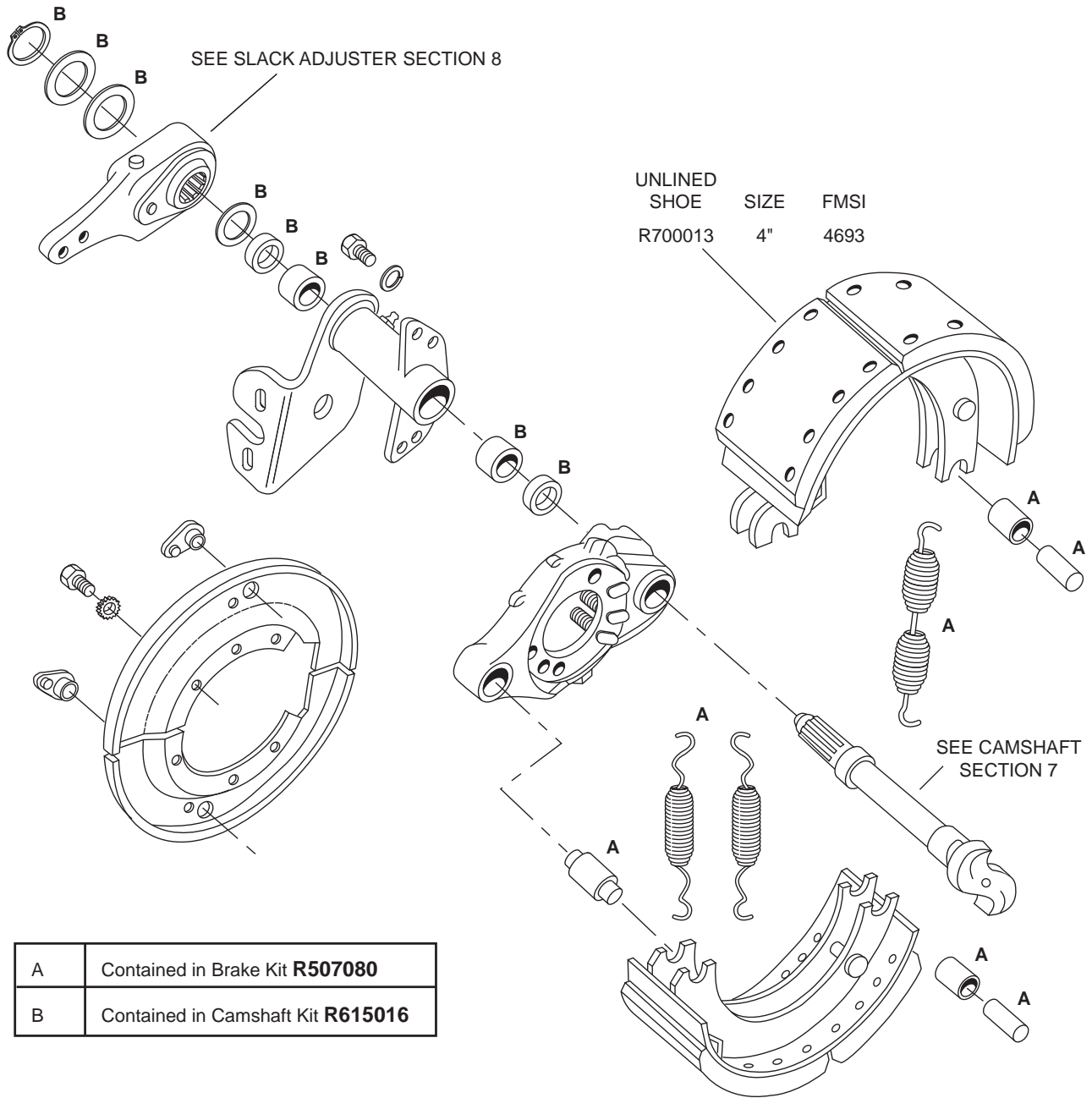
| Exploded Views | Page |
|--|-------------|
| Bendix 15" Brakes | 1 |
| Bendix 16-1/2" Brakes..... | 2 |
| Dexter 12-1/4" "S" Cam Air Brake..... | 3 |
| Dexter Trailer Axle With 12-1/4" Brakes | 4 |
| Dexter Trailer Axle With 16-1/2" Brakes | 5 |
| Eaton 15" Standard & "ES" "Extended Service" Brakes (Single Web)..... | 6 |
| Eaton 15" Standard & "ES" "Extended Service" Brakes (Double Web)..... | 7 |
| Eaton 15" "Reduced Envelope" Brakes..... | 8 |
| Eaton 16-12" 541 Series Brakes..... | 9 |
| Eaton 16-/2" "ES" "Extended Service" Brakes..... | 10 |
| Eaton 16-/2" "ES" "Extended Service" Brakes (Severe Service)..... | 11 |
| Eaton 16-/2" "ES II" "Extended Service" Brakes..... | 12 |
| Eaton 18" Self-Contained Tractor Brakes..... | 13 |
| Eaton (Shuler) "C" & "E" Series Trailer Axle w/ 12-1/4" Brakes (SA Series)..... | 14 |
| Eaton (Shuler) "C", "E" & "J" Series Trailer Axle with 16-1/2" Brakes..... | 16 |
| Eaton (Shuler) 22R, 23R, 22L, 23L Series Trailer Axle with 16-1/2" Brakes | 18 |
| Eaton Top Spec "ES" Retrofit for Fruehauf 16-1/2" "XEM" Brakes | 20 |
| Fruehauf Pro-Par® Trailer Axle with 12-1/4" Brakes | 21 |
| Fruehauf Pro-Par® Trailer Axle with 16-1/2" Brakes | 23 |
| Hendrickson Intraax® Trailer Axle with 16-1/2" Brakes | 25 |
| Meritor TK, TKL, TKN, TL, TN & TQ with 12-1/4" "Q" Brakes | 27 |
| Meritor "W" Series Cam Brakes with 14-1/2" x 4" & 6" Brakes | 28 |
| Meritor "W" Series Cam Brakes with 14-1/2" x 5" Brakes..... | 29 |
| Meritor "W" Series Cam Brakes with 14-1/2" x 8" & 10" Brakes | |
| Type 1: Taper Seat Anchor Pin, Integral Camshaft Bracket..... | 30 |
| Meritor "W" Series Cam Brakes with 14-1/2" x 10" Brakes | |
| Type 2: Straight Anchor Pin, Integral Cam Bracket..... | 31 |
| Meritor "W" Series Cam Brakes with 14-1/2" x 10" Brakes | |
| Type 3: Taper Seat Anchor Pin, Standard Cam and Chamber Bracket..... | 32 |
| Meritor "Q" Series 15" Cam Brakes for Steering & Drive Axles..... | 33 |
| Meritor Q Plus™ Series Cam Brakes with 15" & 16-1/2" Brakes | |
| for Steering & Drive Axles | 34 |
| Meritor Q Plus™ Series 15" & 16-1/2" Cam Brakes for MX500 Long Life and LX500 Extended Lube (Cast Spider)..... | 35 |
| Meritor Q Plus™ Series 15" & 16-1/2" Cam Brakes for MX500 Long Life and LX500 Extended Lube (Stamped Spider)..... | 36 |
| Meritor "T" Series 15" Cam Brakes (Type 1 & 2) | 37 |
| Meritor "T" Series 16-1/4" Cam Brakes..... | 38 |

| | |
|---|----|
| Meritor “Q” Series 16-1/2” Cam Brakes for Steering & Drive Axles | 39 |
| Meritor “P” Series 16-1/2” Cam Brakes for Steering & Drive Axles..... | 40 |
| Meritor “P” Series 18” Cast Cam Brakes | 41 |
| Meritor RL, RN & RQ Trailer Axles with 16-1/2” Brakes (Pre-121)..... | 42 |
| Meritor TK, TKL, TKN, TL, TN, TP, TQ & TR Trailer Axles with 16-1/2” “P” or “Q” Brakes - Pre-121 (“500” Series) Post-121 (“5000” Series) | 43 |
| Meritor TK, TKL, TKN, TL Trailer Axles with 16-1/2” “P” or “Q” Brakes Post-121 Models (4000-6000 Series) | 44 |
| Meritor TK, TKL, TKN, TL Trailer Axles with 16-1/2” “P” or “Q” Brakes Post-121 Models (4000-6000 Series - Fab Spider & Weld-On Retainer)..... | 45 |
| Meritor TK, TKL, TKN, TL Trailer Axles with 16-1/2” “P” or “Q” Brakes Post-121 Models (4000-6000 Series - Fab Spider & Bolt-On Retainer) | 46 |
| Meritor TKD, TKLD, TLD Drop Center Trailer Axles with 16-1/2” “P” or “Q” Brakes - Pre-121 Models Beam Mounted..... | 47 |
| Meritor TKD, TKLD, TLD Drop Center Trailer Axles with 16-1/2” “P” or “Q” Brakes - Post-121 Models Beam Mounted..... | 48 |
| Meritor TKD, TKLD, TND, TQD Drop Center Trailer Axles with 16-1/2” “P” or “Q” Brakes - Pre & Post-121 Unit Mounted 4000 & 8000 Series | 49 |
| Meritor TN, TQ & RQ Trailer Axles with 16-1/2” “P”, “Q” or Q Plus™ Brakes (Cast Spider) | 50 |
| Meritor TN, TQ & RQ Trailer Axles with 16-1/2” “P”, “Q” or Q Plus™ Brakes (Fab Spider & Weld-On Retainer) | 51 |
| Meritor TN, TQ & RQ Trailer Axles with 16-1/2” “P”, “Q” or Q Plus™ Brakes (Fab Spider & Bolt-On Retainer)..... | 52 |
| Meritor TP Trailer Axles with 16-1/2” “Q” or Q Plus™ Brakes (Fab Spider & Weld-On Retainer) | 53 |
| Meritor TP Trailer Axles with 16-1/2” “Q” or Q Plus™ Brakes (Fab Spider & Bolt-On Retainer)..... | 54 |
| Meritor TRD Drop Center Trailer Axles with 16-1/2” “Q” or Q Plus™ Brakes..... | 55 |
| Spicer (Dana) 12-1/4” “Fast Change II” Brakes (Before 11/1/96)..... | 56 |
| Spicer (Dana) 12-1/4” “Fast Change II” Brakes (After 11/1/96)..... | 57 |
| Spicer (Dana) D21 & 22 Axles with 16-1/2” Brakes | 58 |
| Standard Forge Axle with 12-1/4” Brakes..... | 60 |
| Standard Forge A-17, A-19 & A-22 Series Trailer Axle with 16-1/2” Brakes | 62 |
| Wagner 15” Brakes (Front Axle) | 64 |
| Wagner 15” Brakes..... | 65 |
| Bendix 15” Wedge Brakes (Non-Servo)..... | 66 |
| Bendix 15” Wedge Brakes (Twin-Plex) | 67 |
| Meritor RSA & RSH 15” Wedge Brakes..... | 68 |
| Meritor RDA & RDH 15” Wedge Brakes | 69 |
| Meritor RDC 15-1/8” Wedge Brakes for Coach Applications | 70 |

BENDIX 15" DIAMETER BRAKES

STEER AXLE BRAKE

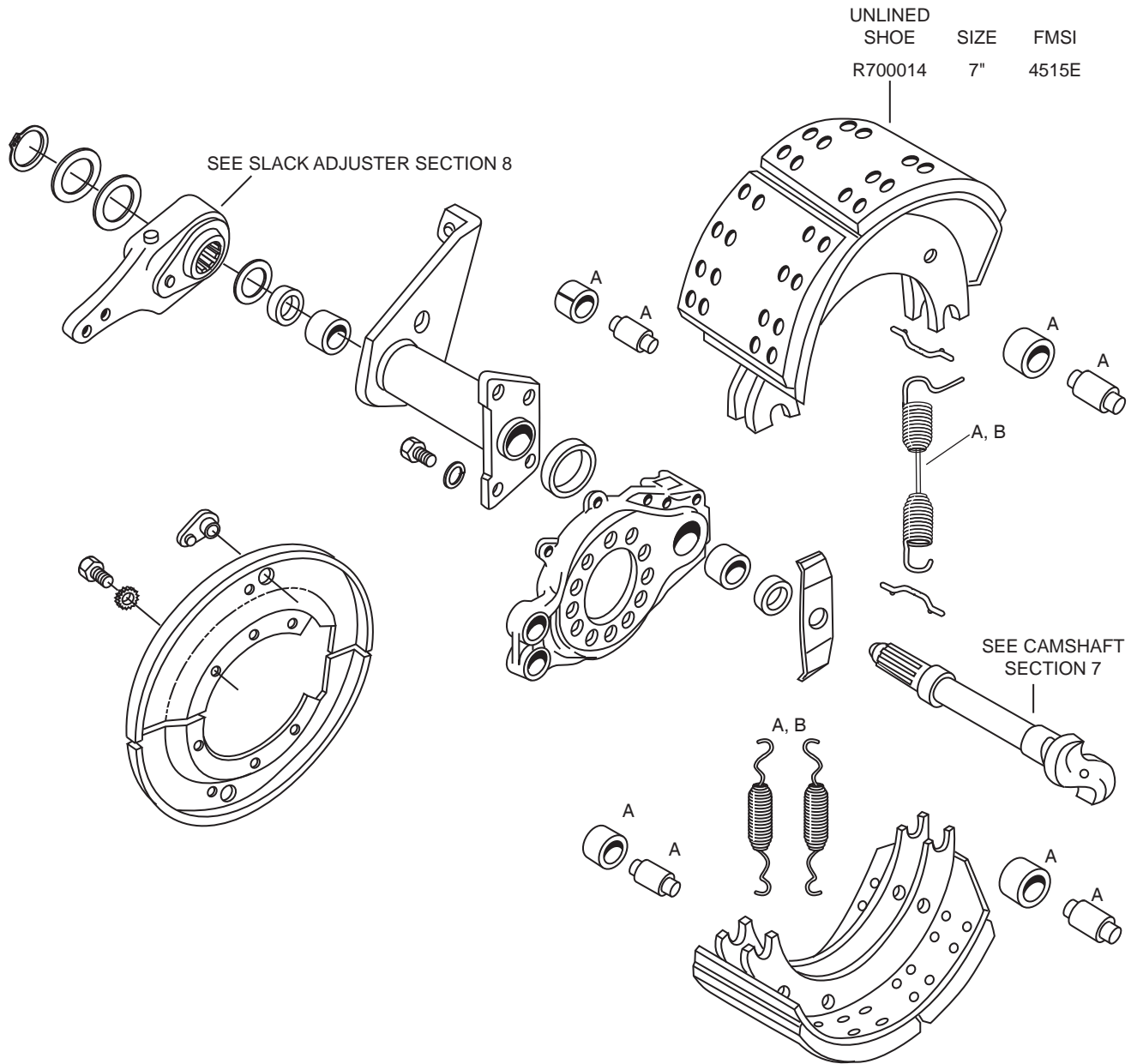
| | |
|-------------------|-------------|
| Part | Page |
| R507080 | 2-6 |
| R615016 | 7-44 |
| R700013 | 4-2 |



BENDIX 16-1/2" DIAMETER BRAKES

TRUCK AND TRACTOR BRAKE

| Part | Page |
|---------------|------|
| R507081 | 2-11 |
| R507082 | 2-11 |
| R700014 | 4-3 |



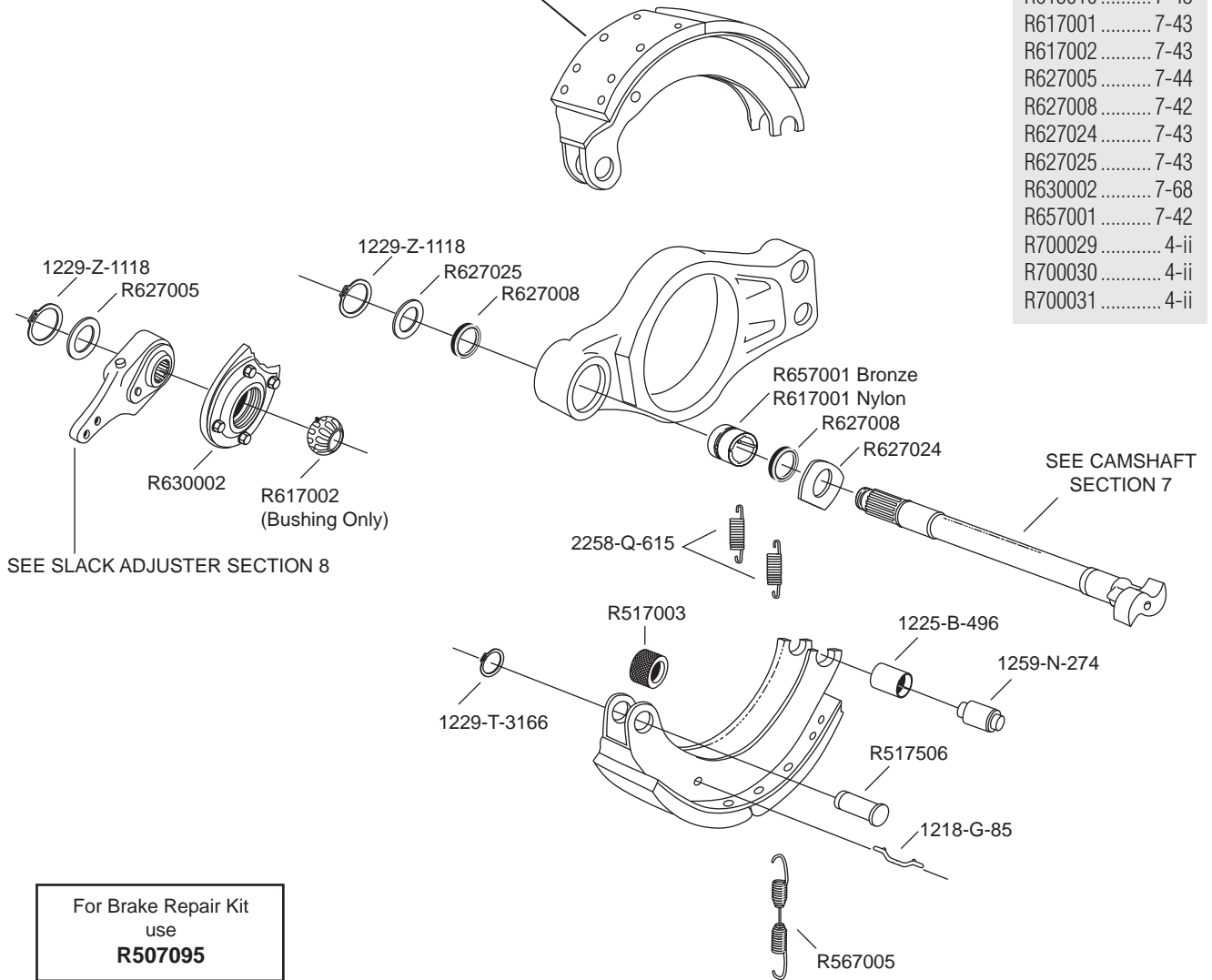
| | |
|---|--|
| A | Contained in Brake Kit R507081 |
| B | Contained in Camshaft Kit R507082 |

DEXTER 12-1/4" "S" CAM AIR BRAKES

"PQ" STYLE BRAKE (After 5/96)

| Part | Page |
|-------------------|------|
| 1218-G-85 | 3-15 |
| 1225-B-496 | 3-7 |
| 1229-Z-1118 ... | 7-63 |
| 1229-T-3166 | 3-3 |
| 1259-N-274 | 3-5 |
| 2258-Q-615 | 3-12 |
| R507095 | 2-ii |
| R517003 | 3-2 |
| R517506 | 3-3 |
| R567005 | 3-12 |
| R615010 | 7-43 |
| R617001 | 7-43 |
| R617002 | 7-43 |
| R627005 | 7-44 |
| R627008 | 7-42 |
| R627024 | 7-43 |
| R627025 | 7-43 |
| R630002 | 7-68 |
| R657001 | 7-42 |
| R700029 | 4-ii |
| R700030 | 4-ii |
| R700031 | 4-ii |

| UNLINED SHOE | SIZE | FMSI |
|--------------|--------|-------|
| R700029 | 4" | 4700 |
| R700030 | 5" | 4661C |
| R700031 | 7 1/2" | 4591 |

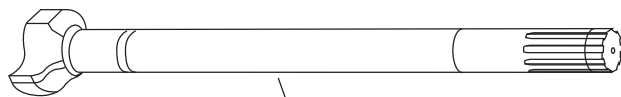
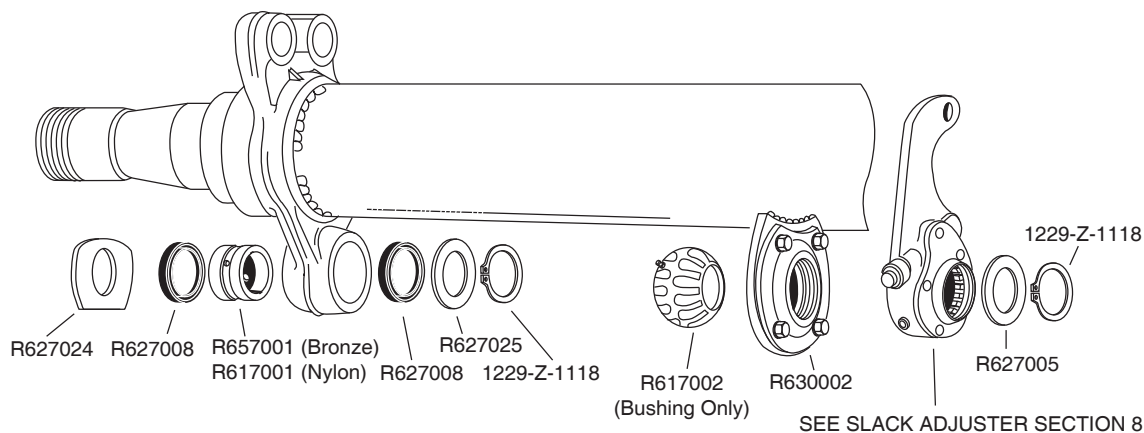


For Brake Repair Kit
use
R507095

For Camshaft Repair Kit
use
R615010

DEXTER TRAILER AXLE WITH 12-1/4" DIAMETER BRAKES

CAMSHAFT, BUSHINGS & BRACKET PARTS



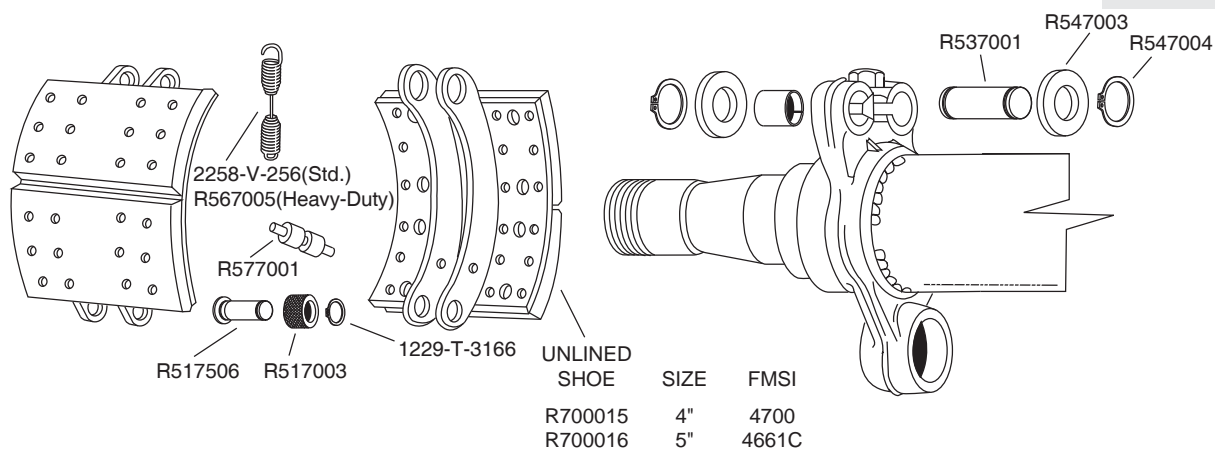
For Camshaft Repair Kit
use
R615010

| Part | Page |
|-----------------|------|
| 1229-Z-1118 ... | 7-63 |
| R615010 | 7-43 |
| R617001 | 7-43 |
| R617002 | 7-43 |
| R627005 | 7-44 |
| R627008 | 7-42 |
| R627024 | 7-43 |
| R627025 | 7-43 |
| R630002 | 7-68 |
| R657001 | 7-42 |

BRAKE SHOES & HARDWARE

Before 4/93

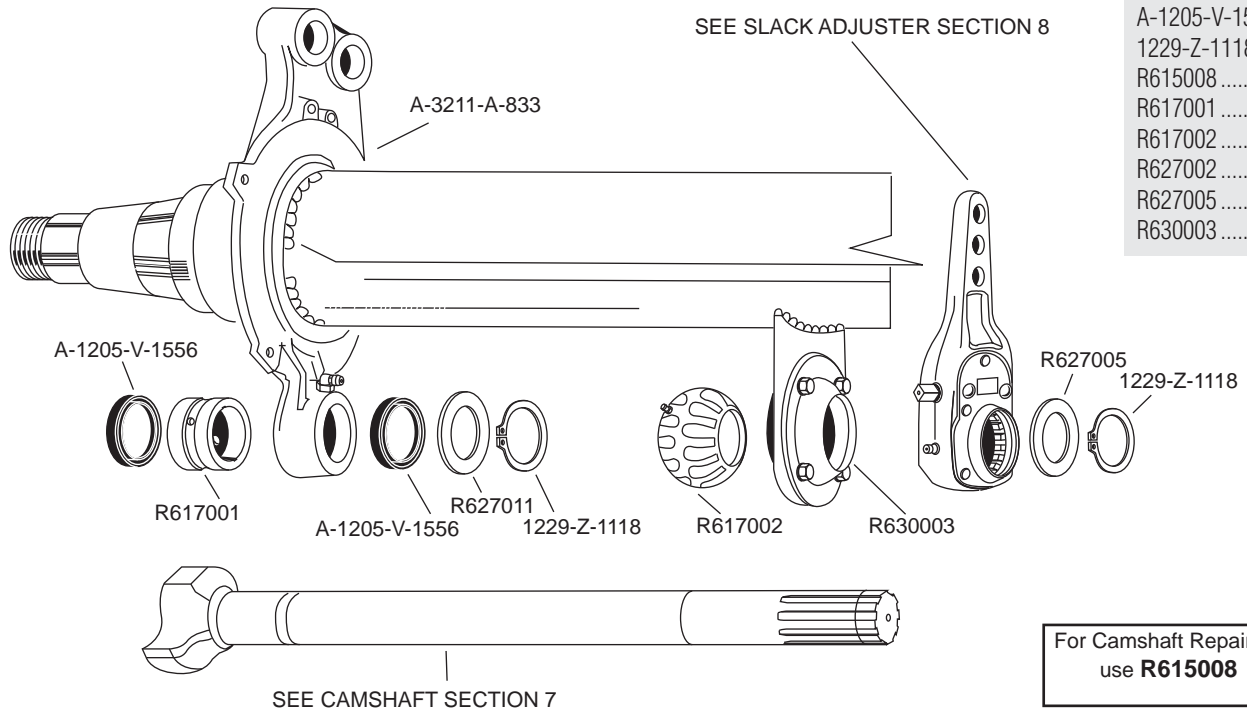
| Part | Page |
|------------------|------|
| 1229-T-3166..... | 3-3 |
| 2258-V-256 | 3-12 |
| R507015 | 2-3 |
| R517003 | 3-2 |
| R517506 | 3-3 |
| R537001 | 3-5 |
| R567005 | 3-12 |
| R577001 | 3-15 |
| R700015 | 4-ii |



For Brake Repair Kit
use
R507015

DEXTER TRAILER AXLE 16-1/2" DIAMETER BRAKES

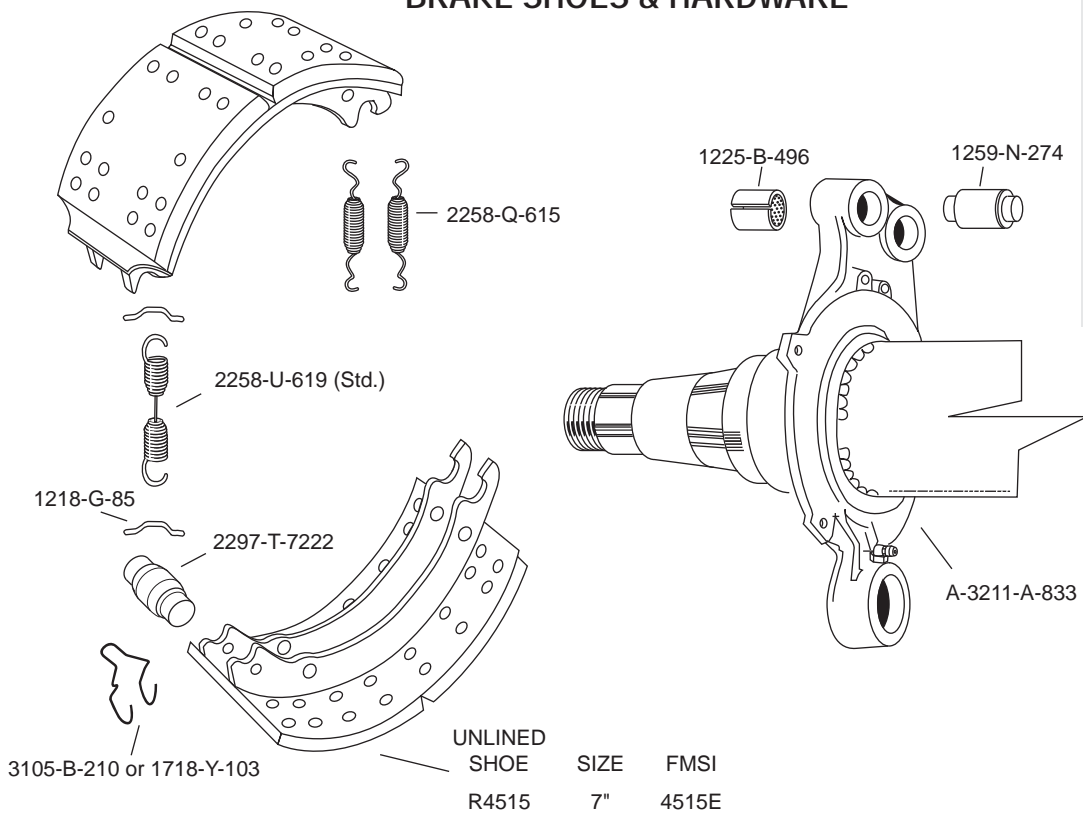
CAMSHAFT, BUSHINGS & BRACKET PARTS



| Part | Page |
|---------------|------|
| A-1205-V-1556 | 7-70 |
| 1229-Z-1118 | 7-63 |
| R615008 | 7-55 |
| R617001 | 7-65 |
| R617002 | 7-65 |
| R627002 | 7-61 |
| R627005 | 7-66 |
| R630003 | 7-64 |

For Camshaft Repair Kit use **R615008**

BRAKE SHOES & HARDWARE



| Part | Page |
|-------------|------|
| 1218-G-85 | 3-15 |
| 1225-B-496 | 3-7 |
| 1259-N-274 | 3-5 |
| 1718-Y-103 | 3-4 |
| 2258-Q-615 | 3-12 |
| 2258-U-619 | 3-13 |
| 2297-T-7222 | 3-1 |
| 3105-B-210 | 3-4 |
| KIT 8000 | 2-20 |
| KIT 8000HD | 2-24 |
| R4515 | 4-7 |

For Brake Repair Kit use **KIT 8000, KIT 8000HD**

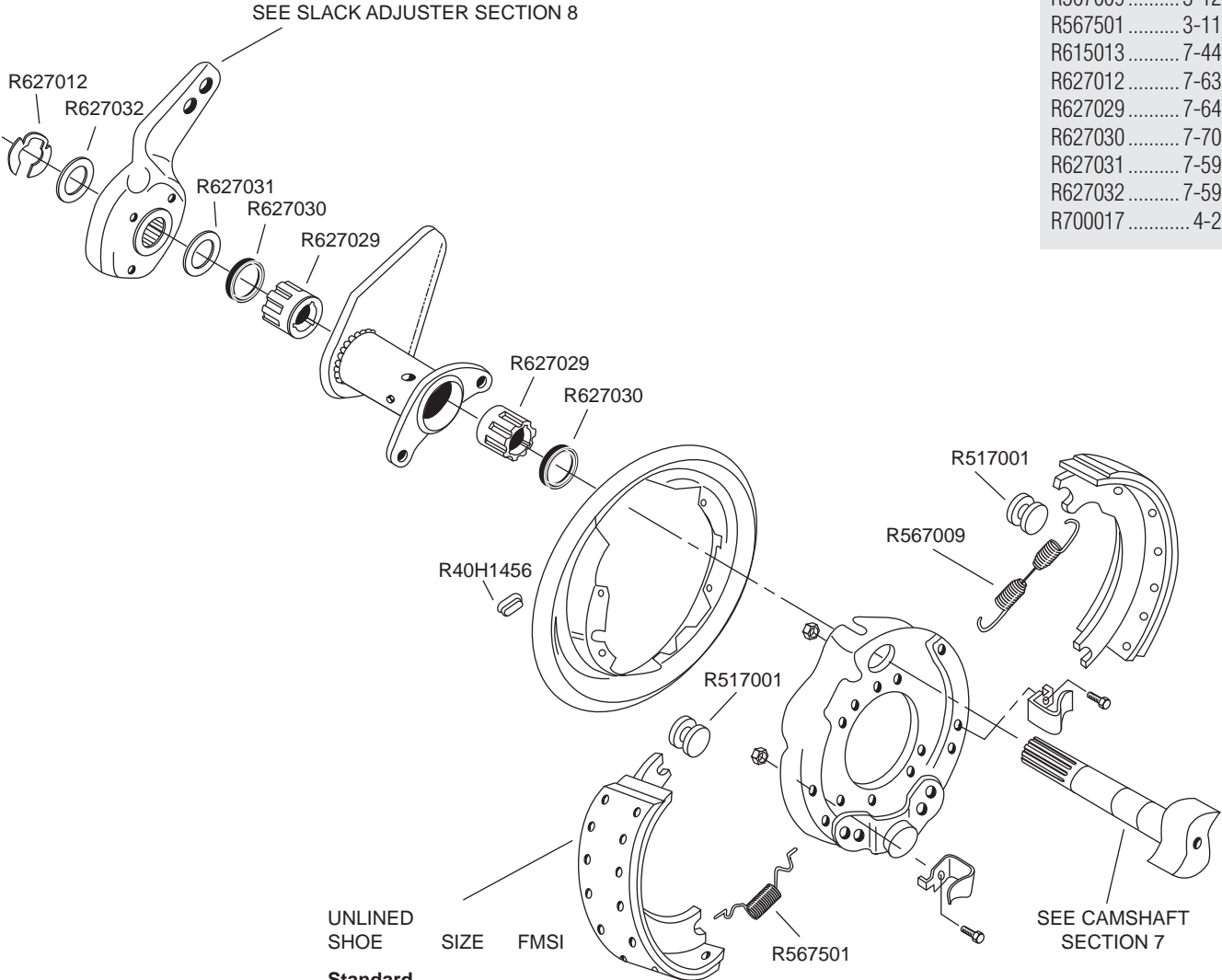
UNLINED SHOE
R4515 SIZE 7" FMSI 4515E

EATON 15" DIA. STANDARD & "ES" "EXTENDED SERVICE" BRAKES

STEER AXLE BRAKE SINGLE WEB

Part Page

R1308E 4-2
 R40H1456 6-4
 R507004 2-6
 R517001 3-1
 R567009 3-12
 R567501 3-11
 R615013 7-44
 R627012 7-63
 R627029 7-64
 R627030 7-70
 R627031 7-59
 R627032 7-59
 R700017 4-2



| UNLINED SHOE | SIZE | FMSI |
|---------------------------|------|--------|
| Standard | | |
| R1308E | 4" | 1308 |
| "Extended Service" | | |
| R700017 | 4" | 1443TT |

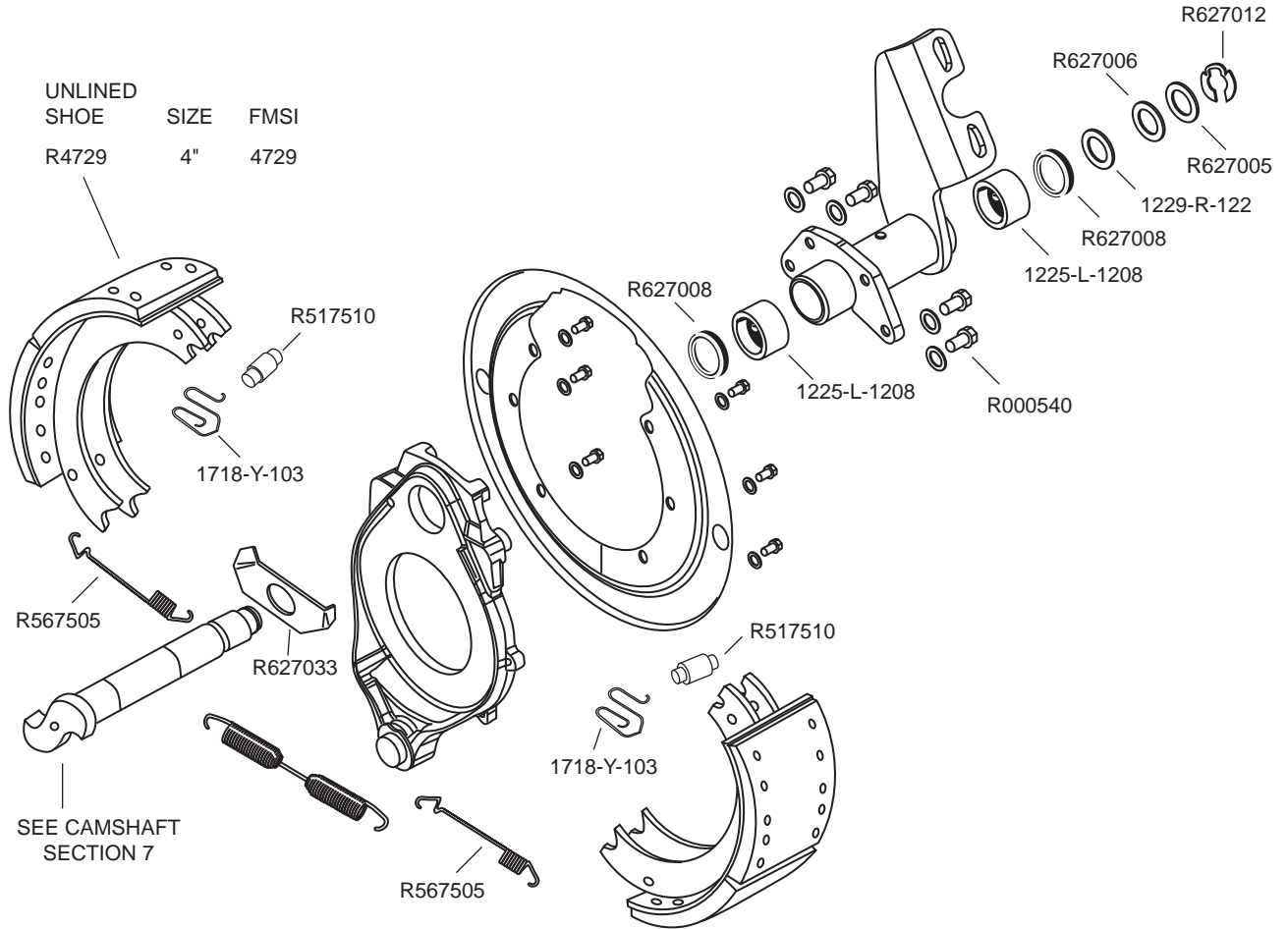
For Brake Repair Kit
use
R507004

For Camshaft Repair Kit
use
R615013

EATON 15" DIA. STANDARD & "ES" "EXTENDED SERVICE" BRAKES

STEER AXLE BRAKE DOUBLE WEB

| Part | Page |
|-----------------|-------|
| 1225-L-1208 ... | 7-64 |
| 1229-R-122 ... | 7-61 |
| 1718-Y-103 ... | 3-4 |
| R000540 ... | 11-36 |
| R4729 ... | 4-2 |
| R517510 ... | 3-ii |
| R567505 ... | 3-12 |
| R615002 | 7-44 |
| R615026 | 2-61 |
| R627005 | 7-59 |
| R627008 | 7-70 |
| R627012 | 7-63 |
| R627033 | 60 |

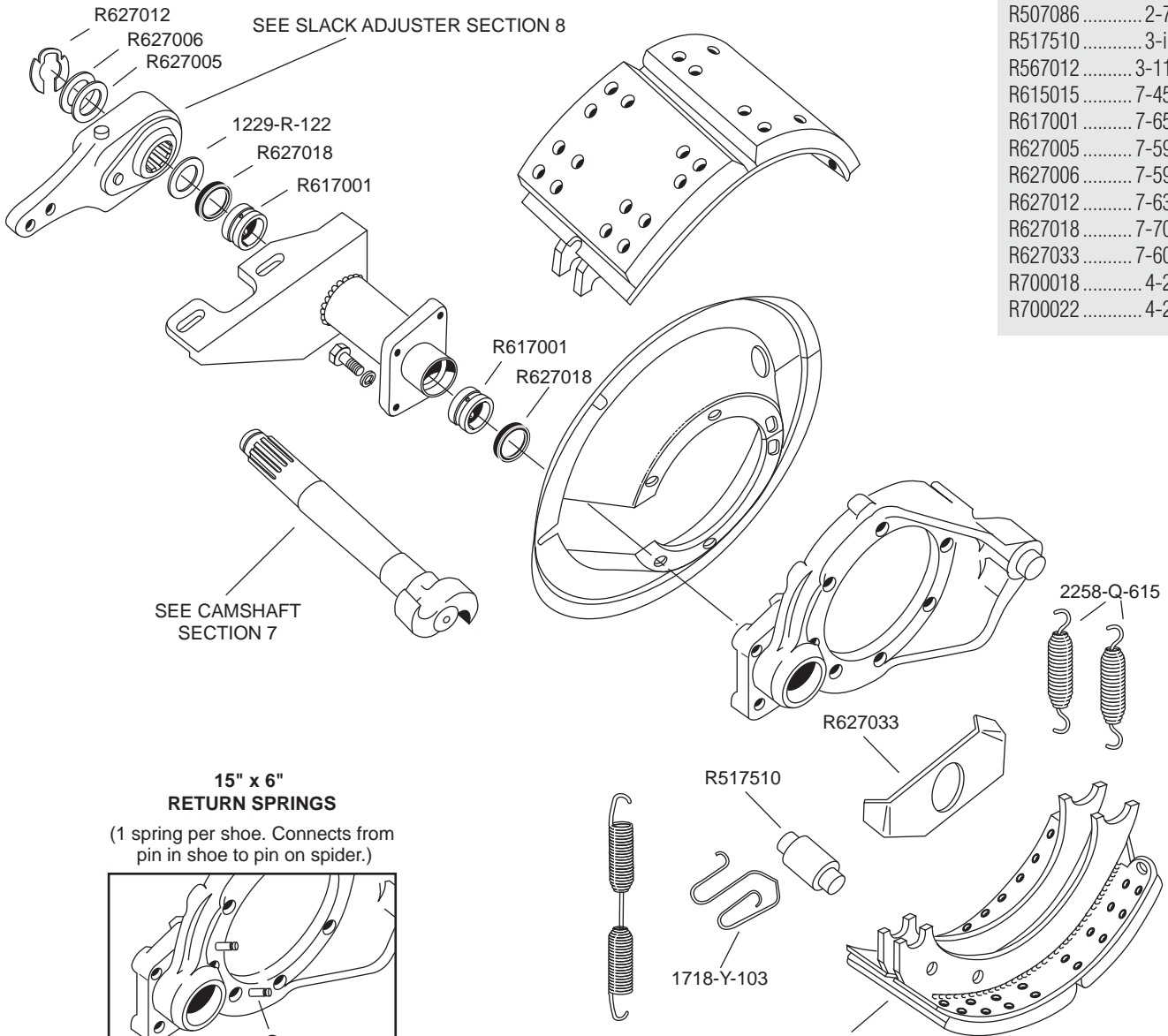


For Brake Repair Kit use
R615026

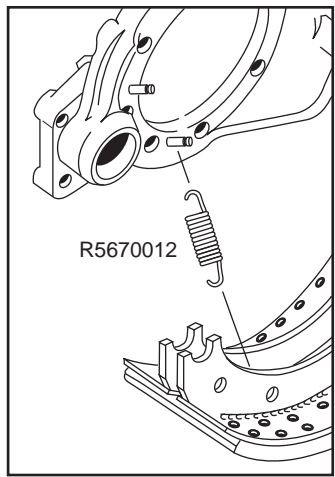
For Camshaft Repair Kit use
R615002

EATON 15" DIAMETER "REDUCED ENVELOPE" BRAKES TRUCK AND TRACTOR BRAKE

| Part | Page |
|------------------|------|
| 1229-R-122 | 7-61 |
| 1718-Y-103 | 3-4 |
| 2258-Q-615 | 3-12 |
| R507083 | 2-7 |
| R507086 | 2-7 |
| R517510 | 3-ii |
| R567012 | 3-11 |
| R615015 | 7-45 |
| R617001 | 7-65 |
| R627005 | 7-59 |
| R627006 | 7-59 |
| R627012 | 7-63 |
| R627018 | 7-70 |
| R627033 | 7-60 |
| R700018 | 4-2 |
| R700022 | 4-2 |



**15" x 6"
RETURN SPRINGS**
(1 spring per shoe. Connects from
pin in shoe to pin on spider.)



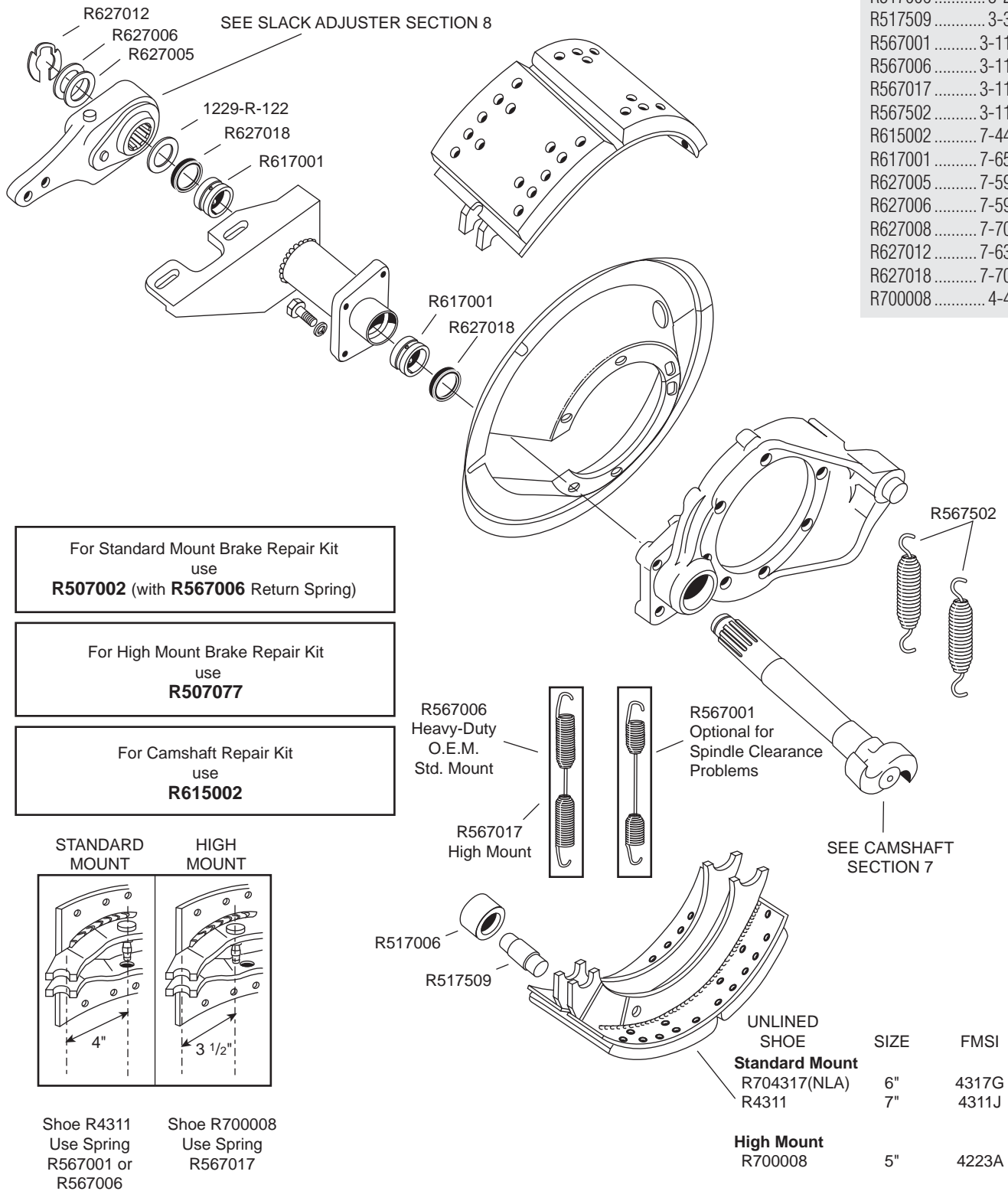
| UNLINED SHOE | SIZE | FMSI |
|-----------------|--------|------|
| R700022 | 6" | 4716 |
| R700018 | 8 5/8" | 4717 |

For Brake Repair Kit use
R507086 (6" Shoe)
R507083 (8 5/8" Shoe)

For Camshaft Repair Kit use
R615015

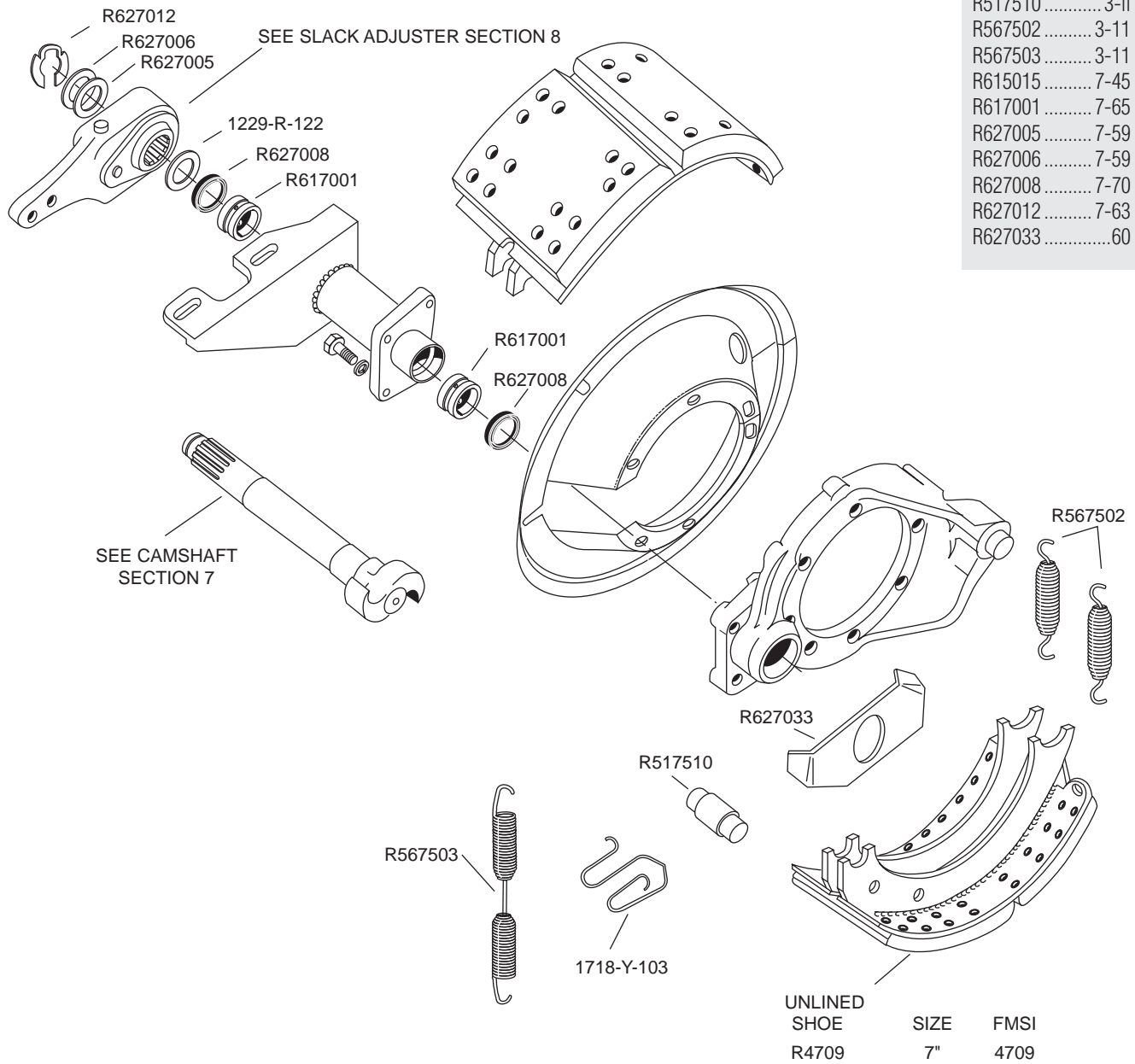
EATON 16-1/2" DIAMETER 541 SERIES BRAKES TRUCK AND TRACTOR BRAKE

| Part | Page |
|-----------------|------|
| 11229-R-122 ... | 7-61 |
| R4311 | 4-4 |
| R507002 | 2-12 |
| R507077 | 2-12 |
| R517006 | 3-2 |
| R517509 | 3-3 |
| R567001 | 3-11 |
| R567006 | 3-11 |
| R567017 | 3-11 |
| R567502 | 3-11 |
| R615002 | 7-44 |
| R617001 | 7-65 |
| R627005 | 7-59 |
| R627006 | 7-59 |
| R627008 | 7-70 |
| R627012 | 7-63 |
| R627018 | 7-70 |
| R700008 | 4-4 |



EATON 16 1/2" DIAMETER "ES" "EXTENDED SERVICE" BRAKES TRUCK AND TRACTOR BRAKE

| Part | Page |
|------------------|------|
| 1229-R-122 | 7-61 |
| 1718-Y-103 | 3-4 |
| R4709 | 4-4 |
| R507057 | 2-12 |
| R517510 | 3-ii |
| R567502 | 3-11 |
| R567503 | 3-11 |
| R615015 | 7-45 |
| R617001 | 7-65 |
| R627005 | 7-59 |
| R627006 | 7-59 |
| R627008 | 7-70 |
| R627012 | 7-63 |
| R627033 | 60 |



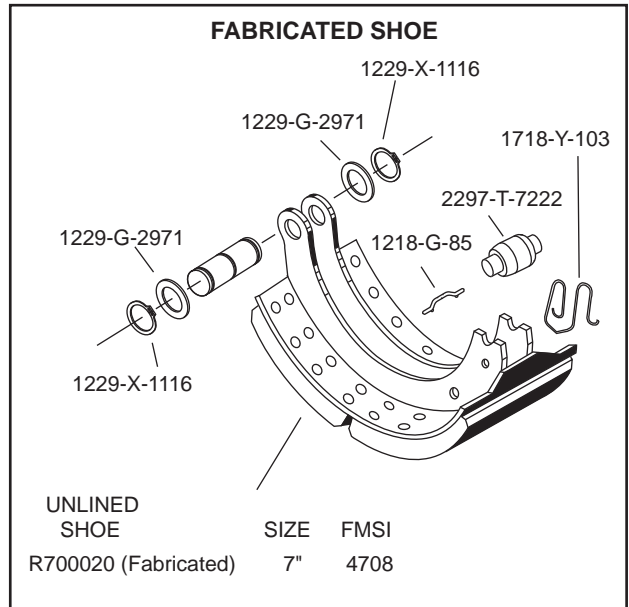
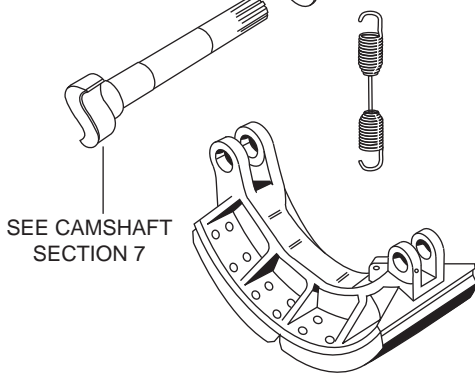
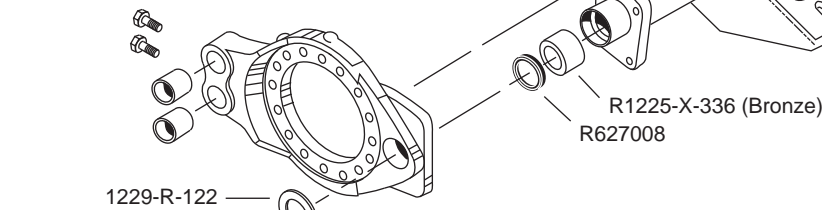
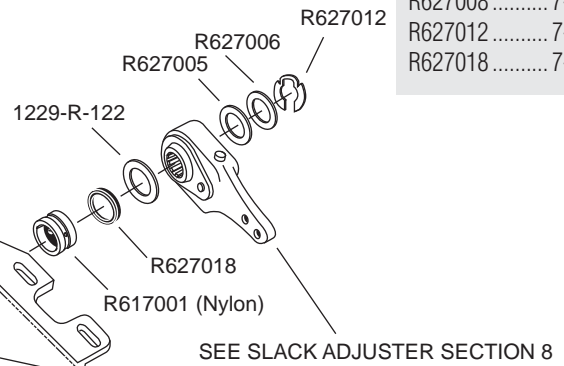
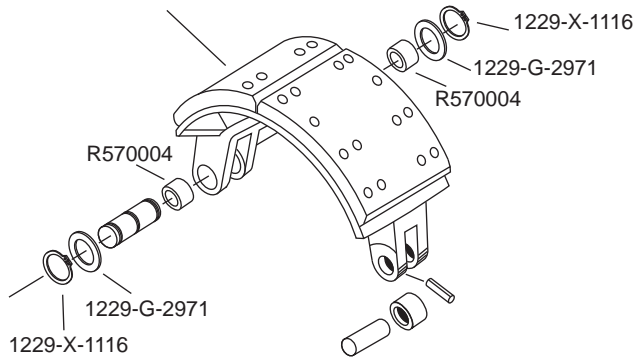
For Brake Repair Kit
use
R507057

For Camshaft Repair Kit
use
R615015

EATON 16 1/2" DIAMETER "ES" "EXTENDED SERVICE" BRAKES SEVERE SERVICE CAST AND FABRICATED TRUCK AND TRACTOR BRAKE

| Part | Page |
|-------------------|------|
| 1218-G-85 | 3-15 |
| 1225-X-336 | 7-64 |
| 1229-R-122 | 7-61 |
| 1229-X-1116 ... | 10-1 |
| 1229-G-2971 ... | 7-59 |
| 1718-Y-103 | 3-4 |
| 2297-T-7222 | 3-1 |
| R507084 | 2-13 |
| R507085 | 2-13 |
| R615002 | 7-44 |
| R617001 | 7-65 |
| R627005 | 7-59 |
| R627006 | 7-59 |
| R627008 | 7-70 |
| R627012 | 7-63 |
| R627018 | 7-70 |

UNLINED
SHOE SIZE FMSI
R700019 (Cast) 7" 4708



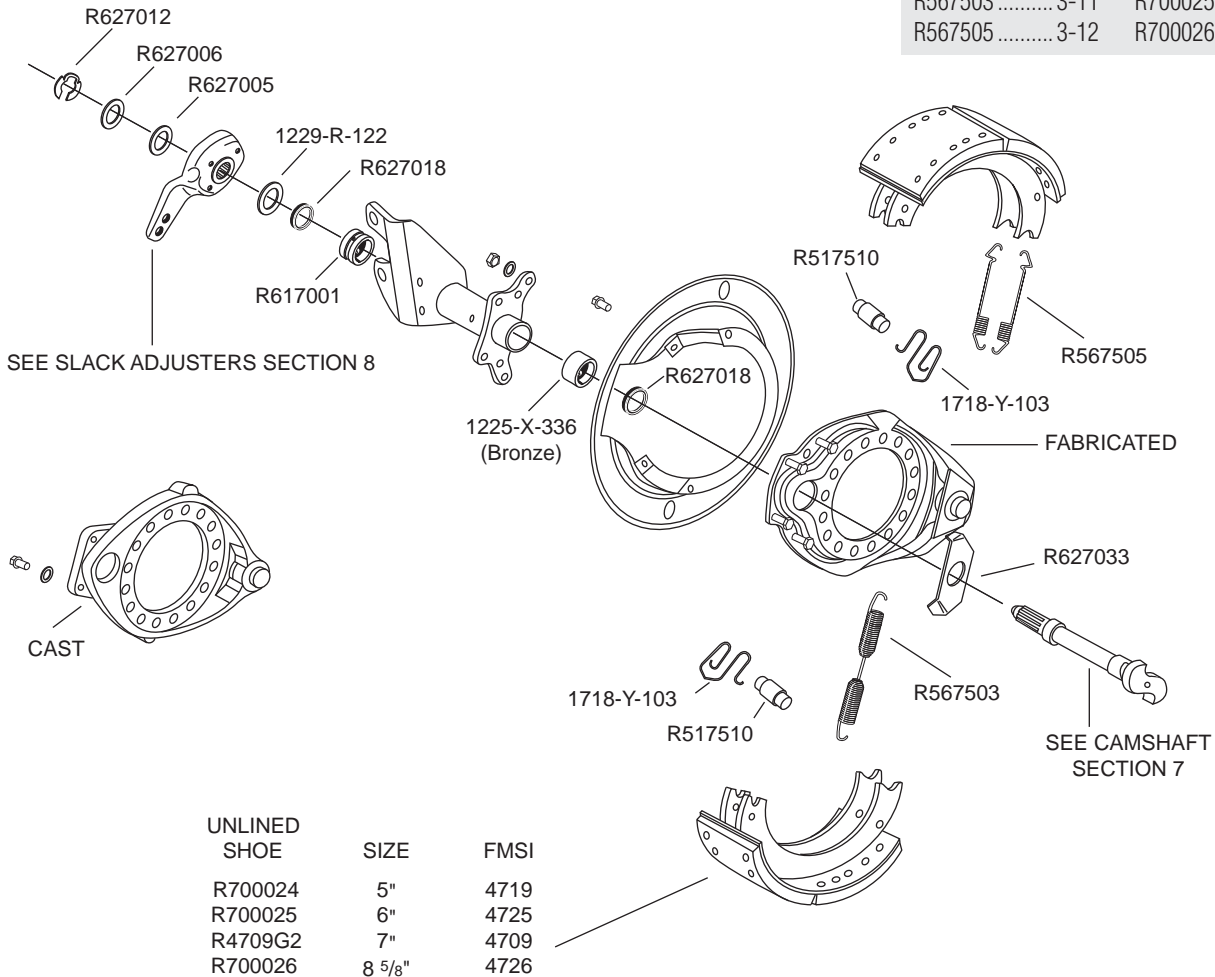
For Brake Repair Kit
use
R507084 (Cast Shoes)
R507085 (Fabricated Shoes)

For Camshaft Repair Kit
use
R615002

EATON 16-1/2" DIAMETER "ES II" "EXTENDED SERVICE" BRAKES

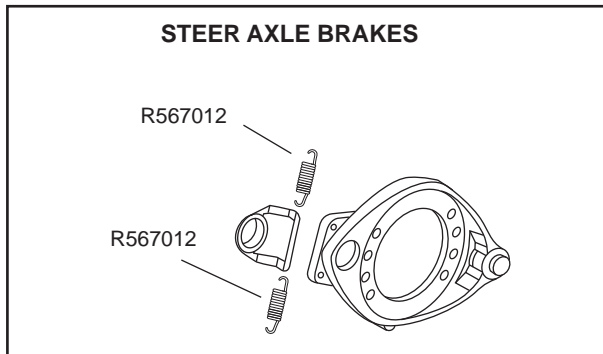
TRUCK AND TRACTOR BRAKE

| Part | Page |
|------------------|------|
| 1225-X-336 | 7-64 |
| 1229-R-122 | 7-61 |
| 1718-Y-103 | 3-4 |
| R4709G2 | 4-4 |
| R507064 | 2-13 |
| R507094 | 2-14 |
| R517510 | 3-ii |
| R567012 | 3-11 |
| R567503 | 3-11 |
| R567505 | 3-12 |
| R615021 | 7-45 |
| R617001 | 7-65 |
| R627005 | 7-59 |
| R627006 | 7-59 |
| R627012 | 7-63 |
| R627018 | 7-70 |
| R627033 | 7-60 |
| R700024 | 4-4 |
| R700025 | 4-4 |
| R700026 | 4-4 |



For Brake Repair Kit
use
R507064 (Drive Axle)
R507094 (Steer Axle)

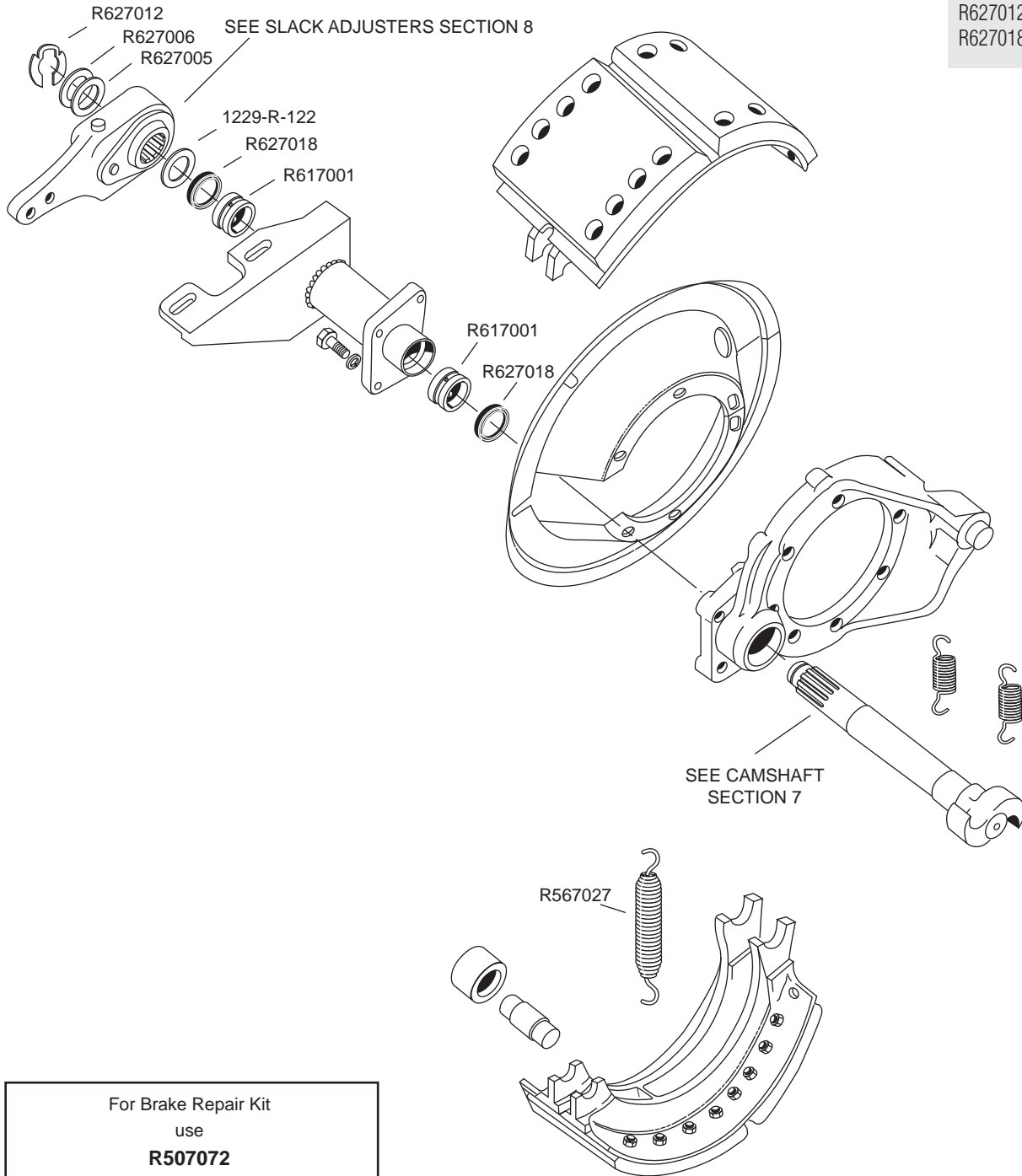
For Camshaft Repair Kit
use **R615021**



EATON 18" DIAMETER SELF-CONTAINED TRACTOR BRAKES

HEAVY-DUTY SERIES BRAKE WITH CAST BRAKE SHOES

| Part | Page |
|------------------|------|
| 1229-R-122 | 7-61 |
| R507072 | 2-25 |
| R615002 | 7-44 |
| R617001 | 7-65 |
| R627005 | 7-59 |
| R627006 | 7-59 |
| R627012 | 7-63 |
| R627018 | 7-70 |



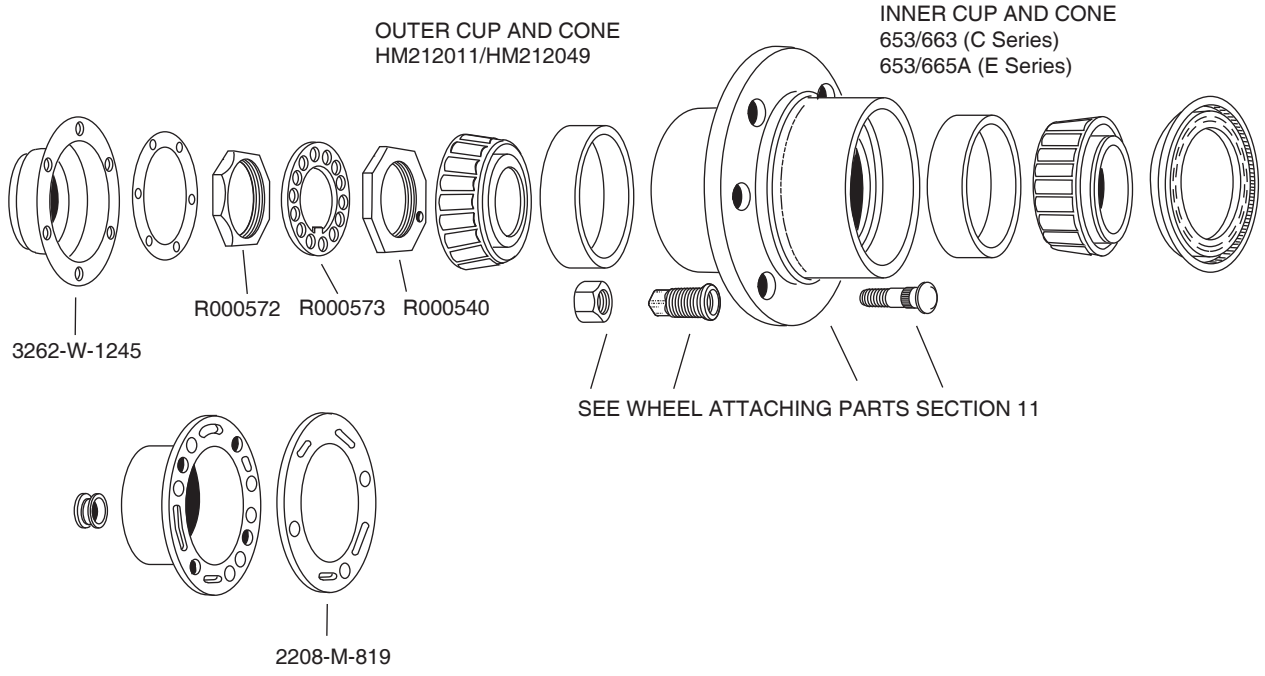
For Brake Repair Kit
use
R507072

For Camshaft Repair Kit
use
R615002

PARTS FOR EATON (SHULER) "C" & "E" SERIES TRAILER AXLE WITH 12-1/4" DIAMETER BRAKES SA SERIES

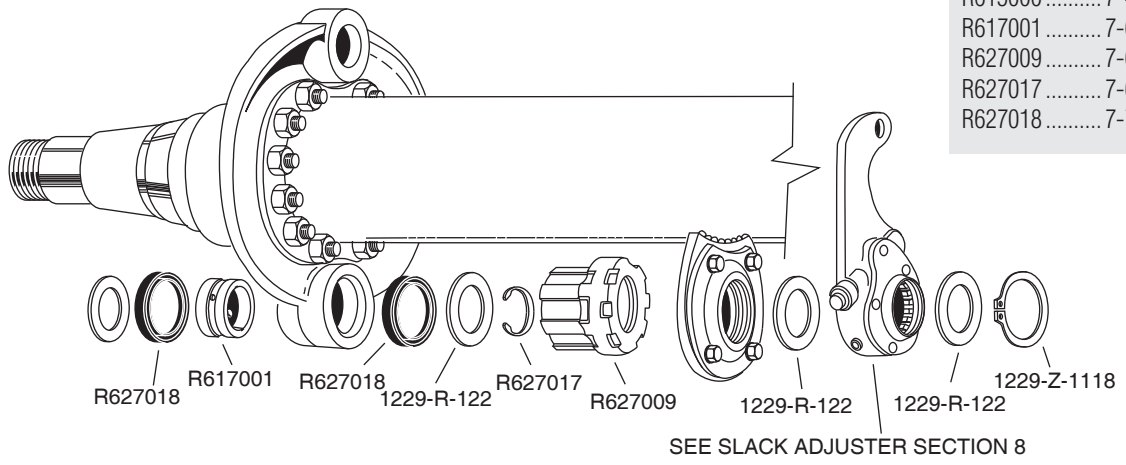
| Part | Page |
|---------------|-------|
| R000540 | 11-36 |
| R000572 | 11-36 |
| R000573 | 11-36 |

HUB CAPS, SPINDLE NUTS, SEALS & STUDS

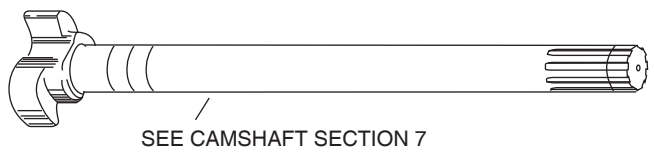


CAMSHAFT, BUSHINGS & BRACKET PARTS

| Part | Page |
|-------------------|------|
| 1229-R-122 | 7-61 |
| 1229-Z-1118 | 7-63 |
| R615000 | 7-42 |
| R617001 | 7-65 |
| R627009 | 7-65 |
| R627017 | 7-63 |
| R627018 | 7-70 |



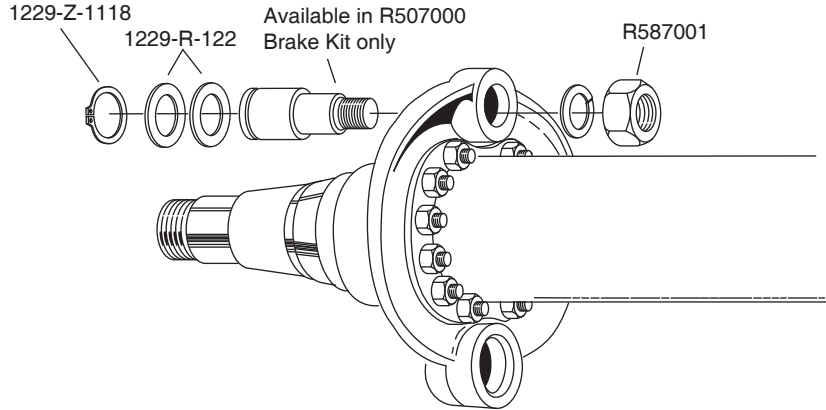
For Camshaft Repair Kit
use
R615000



PARTS FOR EATON (SHULER) "C" & "E" SERIES TRAILER AXLE WITH 12-1/4" DIAMETER BRAKES SA SERIES

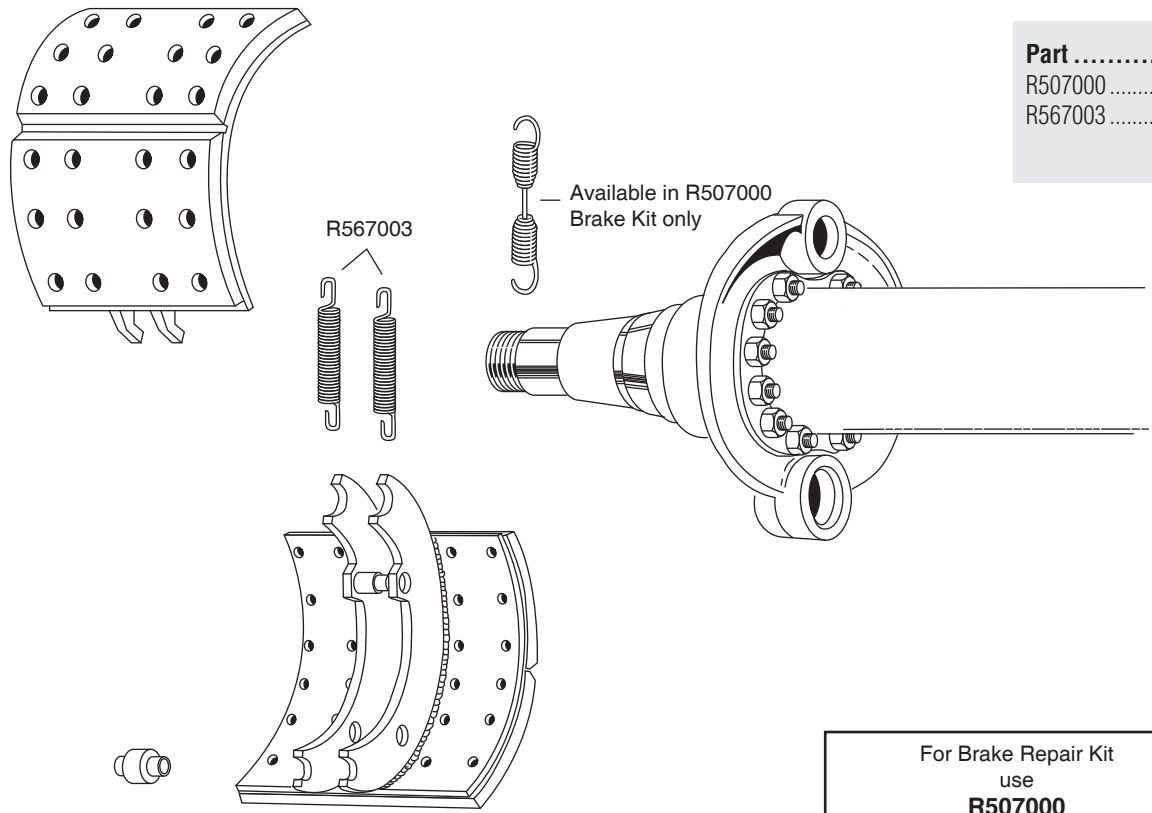
| Part | Page |
|----------------|-------|
| 1229-R-122 ... | 11-61 |
| 1229-Z-1118 . | 11-63 |
| R507000 | 2-ii |
| R587001 | 11-10 |

ANCHOR PIN VARIATIONS



For Brake Repair Kit
use
R507000

SHOES, ROLLERS & SPRINGS

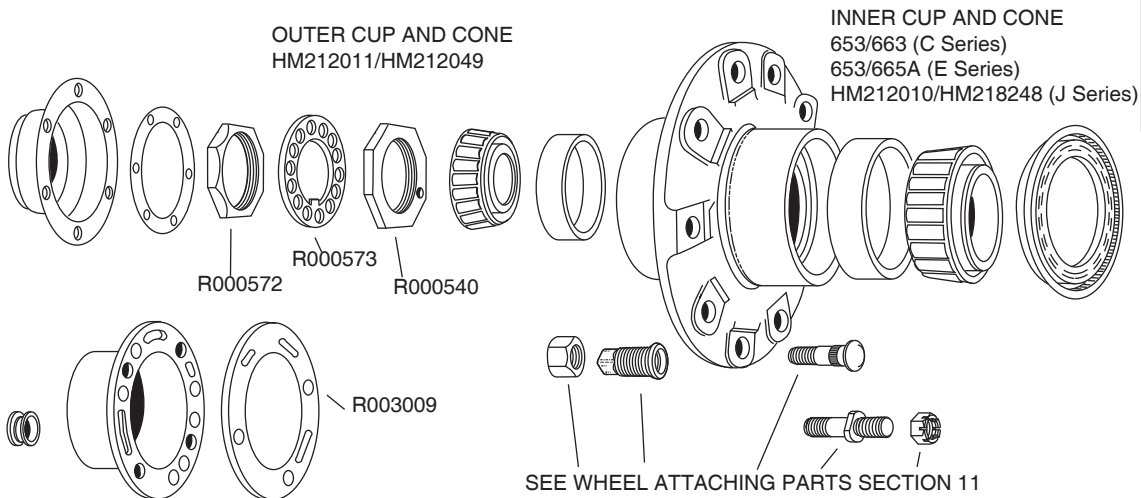


| Part | Page |
|---------------|-------|
| R507000 | 2-ii |
| R567003 | 11-12 |

For Brake Repair Kit
use
R507000

PARTS FOR EATON (SHULER) "C", "E" & "J" SERIES TRAILER AXLE WITH 16-1/2" DIAMETER BRAKES

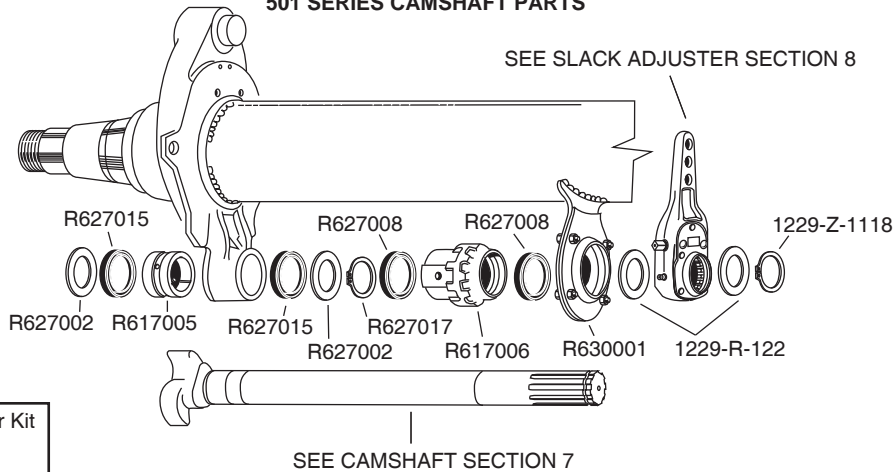
HUB CAPS, SPINDLE NUTS, SEALS & STUDS



| Part | Page |
|---------------|-------|
| R000540 | 11-39 |
| R000572 | 11-39 |
| R000573 | 11-39 |
| R003009 | 11-38 |

CAMSHAFT, BUSHINGS & BRACKET PARTS

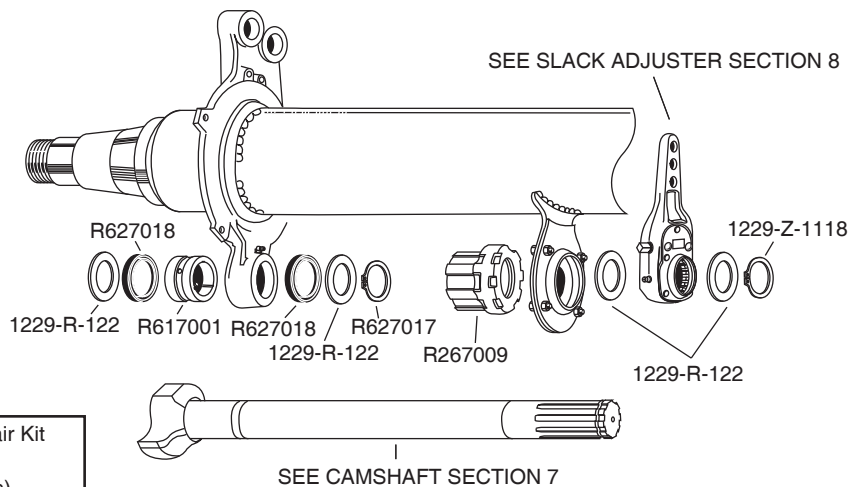
501 SERIES CAMSHAFT PARTS



For Camshaft Repair Kit
use
R615004

| Part | Page |
|-------------------|------|
| 1229-R-122 | 7-61 |
| 1229-Z-1118 | 7-63 |
| R615003 | 7-47 |
| R615004 | 7-47 |
| R617001 | 7-65 |
| R617005 | 7-66 |
| R617006 | 7-65 |
| R627002 | 7-61 |
| R627008 | 7-70 |
| R627009 | 7-65 |
| R627015 | 7-71 |
| R627017 | 7-63 |
| R627018 | 7-70 |

OLD STYLE FTL BRAKES

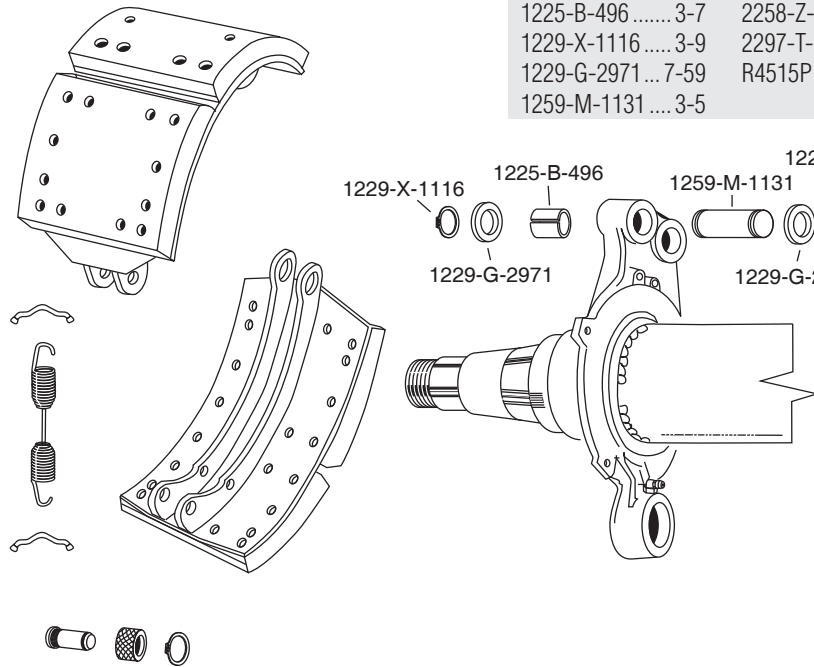
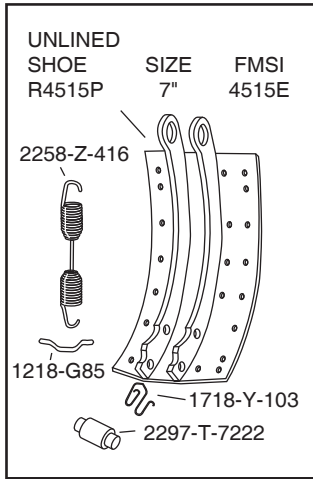


For Camshaft Repair Kit
use **R615003**
(Bolt-on Spiders)

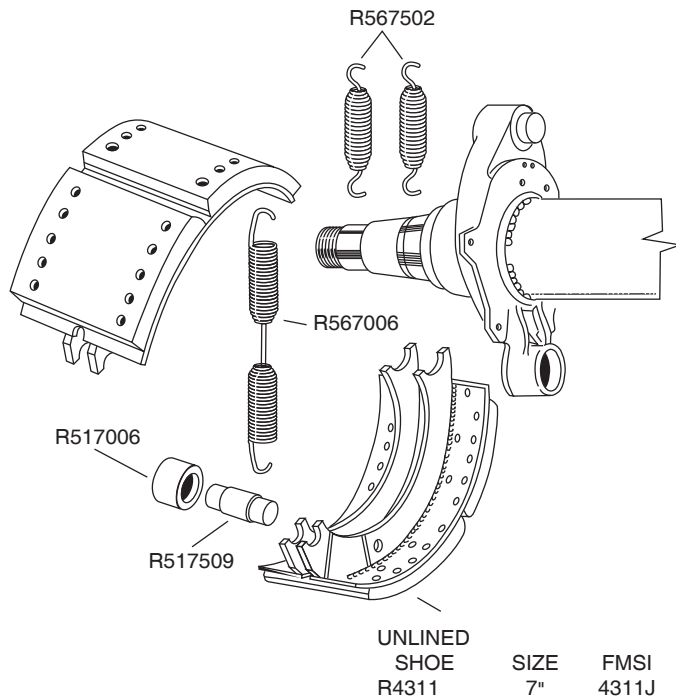
PARTS FOR EATON (SHULER) "C", "E" & "J" SERIES TRAILER AXLE WITH 16-1/2" DIAMETER BRAKES

FTL SERIES DOUBLE ANCHOR PIN

| Part | Page |
|-------------------|------|
| 1218-G-85 | 3-15 |
| 1225-B-496 | 3-7 |
| 1229-X-1116 | 3-9 |
| 1229-G-2971 | 7-59 |
| 1259-M-1131 | 3-5 |
| 1718-Y-103 | 3-4 |
| 2258-Z-416 | 3-13 |
| 2297-T-7222 | 3-1 |
| R4515P | 4-6 |



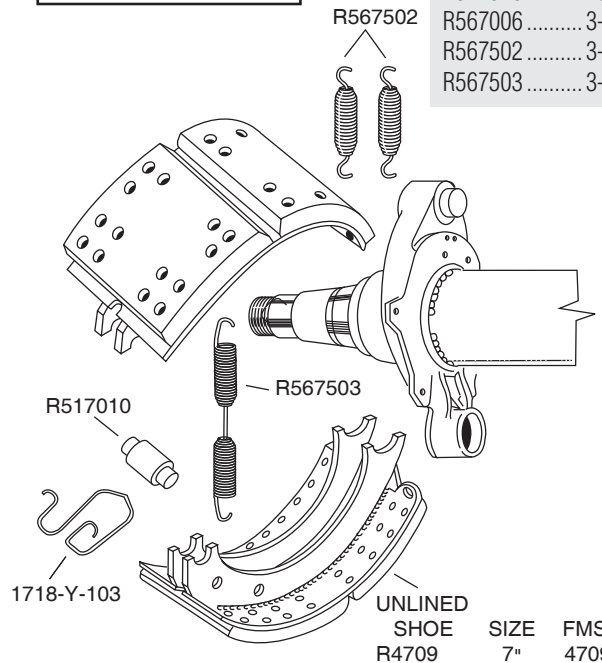
501 SERIES SINGLE ANCHOR PIN



For Brake Repair Kit use **R507002**

"ES" "EXTENDED SERVICE"

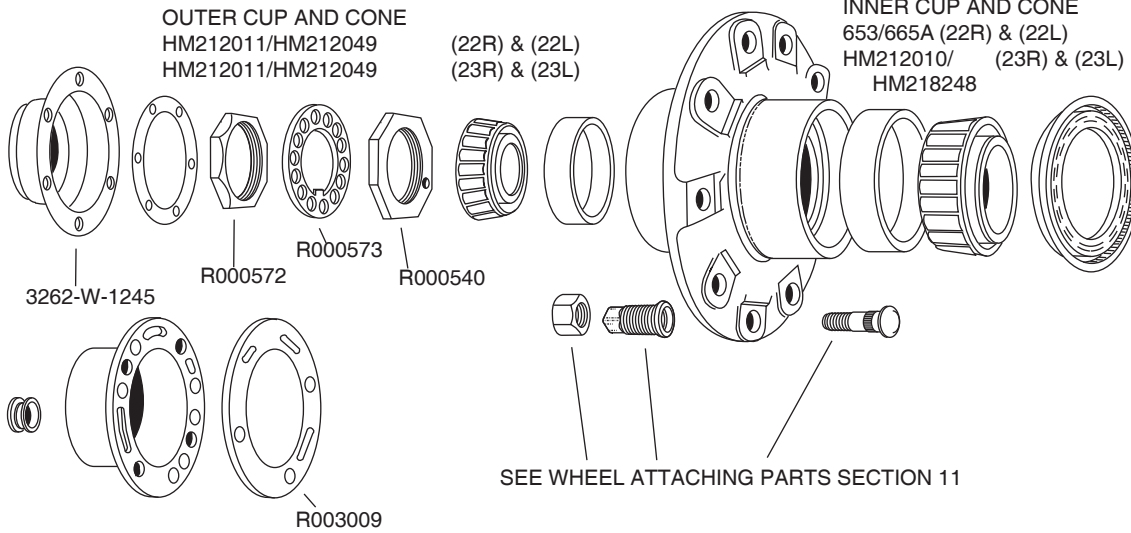
For Brake Repair Kit use **R507057**



| Part | Page |
|------------------|------|
| 1718-Y-103 | 3-4 |
| R4311 | 4-4 |
| R4709 | 4-4 |
| R507002 | 2-12 |
| R507057 | 2-12 |
| R517006 | 3-2 |
| R517509 | 3-3 |
| R517510 | 3-ii |
| R567006 | 3-11 |
| R567502 | 3-11 |
| R567503 | 3-11 |

PARTS FOR EATON (SHULER) 22R, 23R, 22L, 23L SERIES TRAILER AXLE WITH 16-1/2" DIAMETER BRAKES

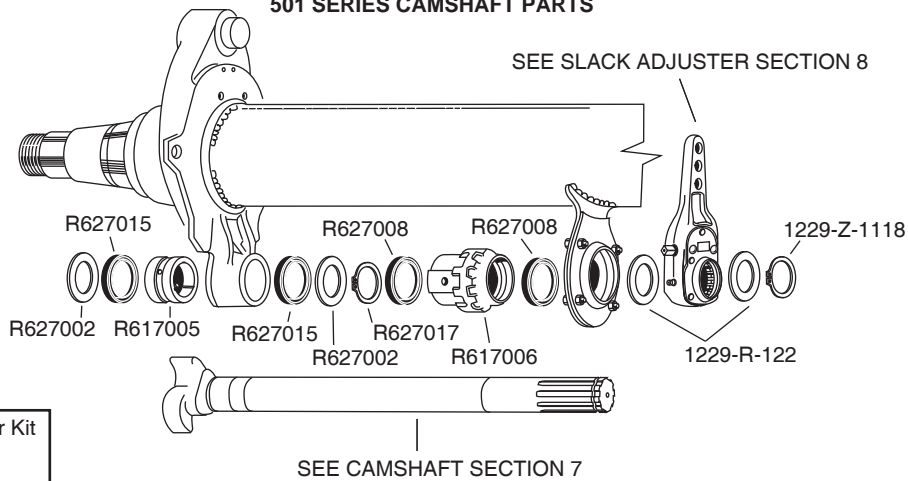
HUB CAPS, SPINDLE NUTS, SEALS & STUDS



| Part | Page |
|---------------|-------|
| R003009 | 11-38 |
| R000540 | 11-39 |
| R000572 | 11-39 |
| R000573 | 11-39 |

CAMSHAFT, BUSHINGS & BRACKET PARTS

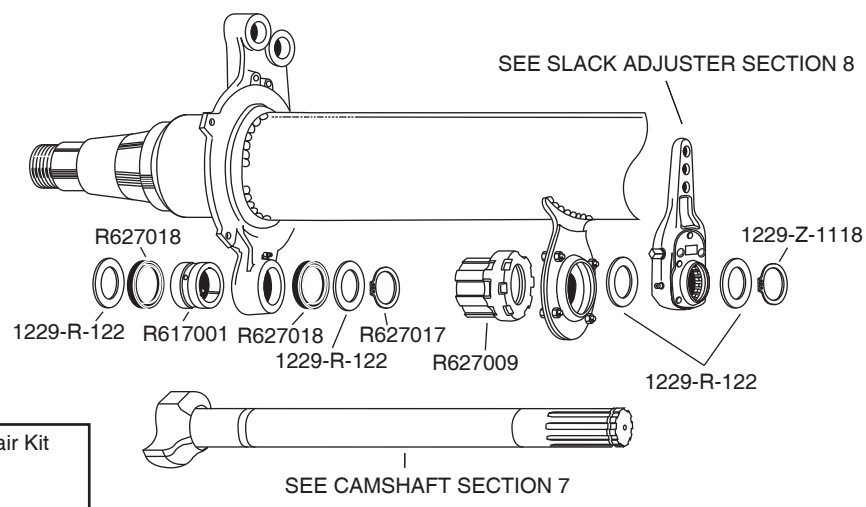
501 SERIES CAMSHAFT PARTS



| Part | Page |
|-------------------|------|
| 1229-R-122 | 7-61 |
| 1229-Z-1118 | 7-63 |
| R615004 | 7-47 |
| R617001 | 7-65 |
| R617005 | 7-66 |
| R617006 | 7-65 |
| R627002 | 7-61 |
| R627008 | 7-70 |
| R627009 | 7-65 |
| R627015 | 7-71 |
| R627017 | 7-63 |
| R627018 | 7-70 |

For Camshaft Repair Kit
use
R615004

OLD STYLE FTL BRAKES

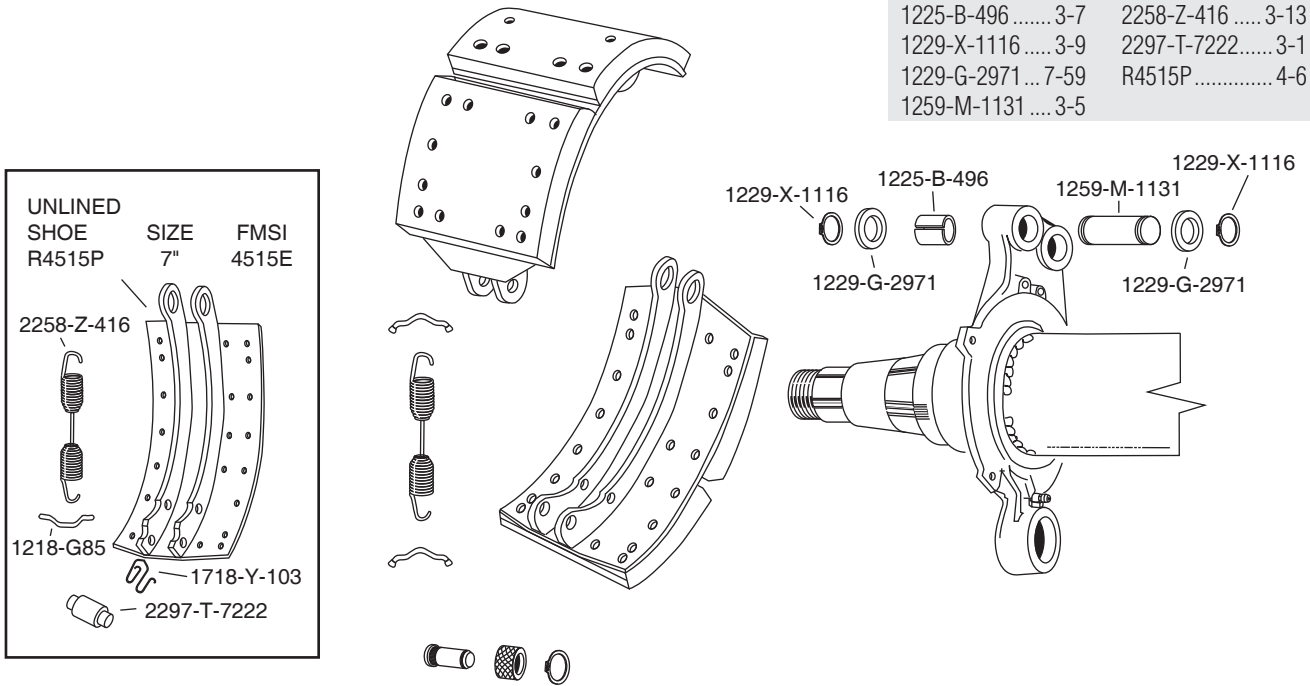


For Camshaft Repair Kit
use
R002123

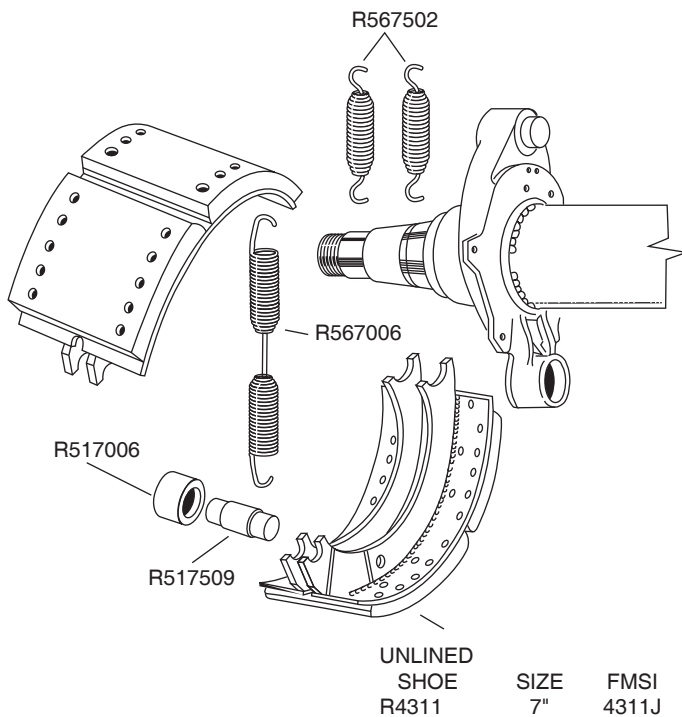
PARTS FOR EATON (SHULER) 22R, 23R, 22L, 23L SERIES TRAILER AXLE WITH 16-1/2" DIAMETER BRAKES

FTL SERIES DOUBLE ANCHOR PIN

| Part | Page |
|-------------------|------|
| 1218-G-85 | 3-15 |
| 1225-B-496 | 3-7 |
| 1229-X-1116 | 3-9 |
| 1229-G-2971 | 7-59 |
| 1259-M-1131 | 3-5 |
| 1718-Y-103 | 3-4 |
| 2258-Z-416 | 3-13 |
| 2297-T-7222 | 3-1 |
| R4515P | 4-6 |



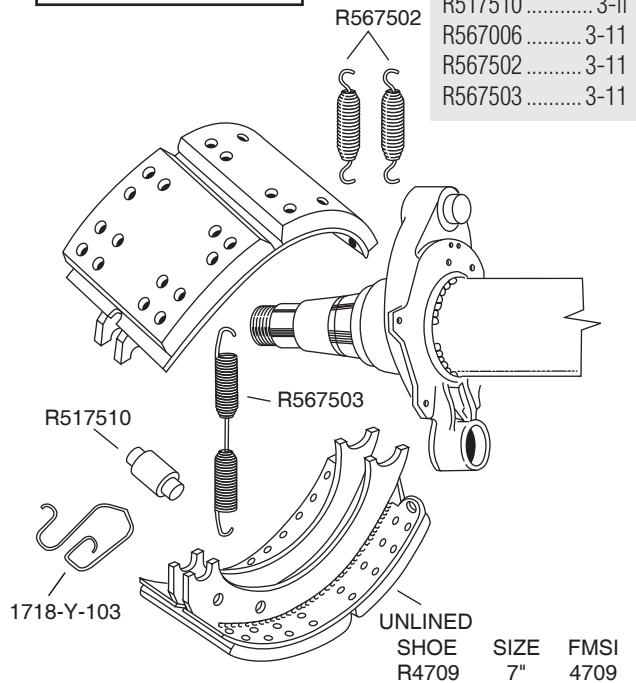
501 SERIES SINGLE ANCHOR PIN



For Brake Repair Kit
use
R507002

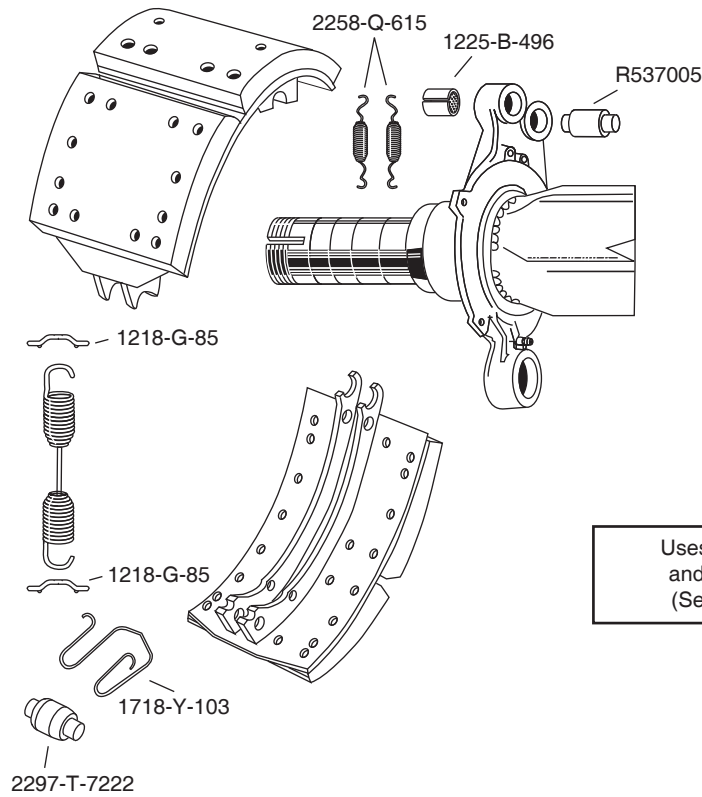
"ES" "EXTENDED SERVICE"

For Brake Repair Kit
use
R507057



| Part | Page |
|------------------|------|
| 1718-Y-103 | 3-4 |
| R4311 | 4-4 |
| R4709 | 4-4 |
| R507002 | 2-12 |
| R507057 | 2-12 |
| R517006 | 3-2 |
| R517509 | 3-3 |
| R517510 | 3-ii |
| R567006 | 3-11 |
| R567502 | 3-11 |
| R567503 | 3-11 |

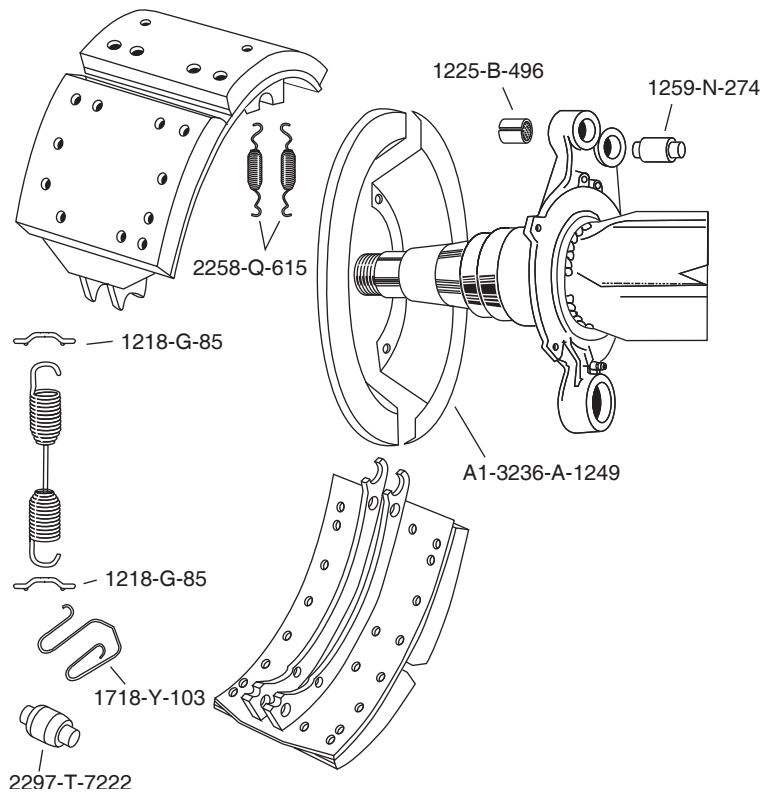
EATON TOP SPEC "ES" RETROFIT FOR FRUEHAUF 16-1/2" DIAMETER "XEM" BRAKES



| Part | Page |
|-------------------|------|
| 1218-G-85 | 3-15 |
| 1225-B-496 | 3-7 |
| 1718-Y-103 | 3-4 |
| 2258-Q-615 | 3-12 |
| 2297-T-7222 | 3-1 |
| R537005 | 3-5 |

Uses Fruehauf Camshafts
and Camshaft Hardware
(See Camshaft Section)

EATON TOP SPEC "ES" RETROFIT FOR MERITOR 16-1/2" DIAMETER "Q" BRAKES



| Part | Page |
|----------------------|------|
| 1218-G-85 | 3-15 |
| 1225-B-496 | 3-7 |
| 1259-N-274 | 3-5 |
| 1718-Y-103 | 3-4 |
| 2258-Q-615 | 3-12 |
| A1-3236-A-1249 | 6-2 |
| R507062 | 2-13 |

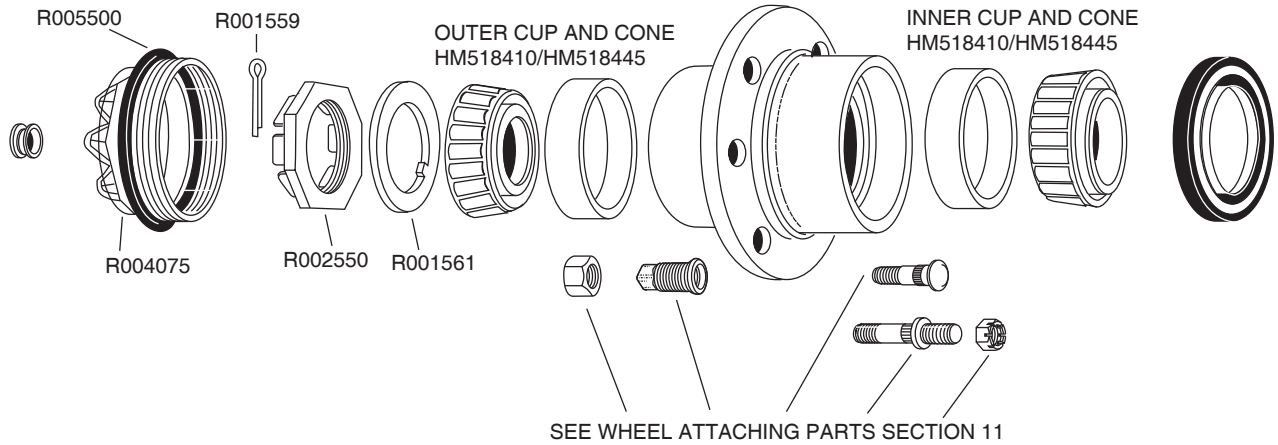
For Brake Repair Kit
use
R507062

Uses Std. Meritor Camshafts
and Camshaft Hardware
(See Camshaft Section)

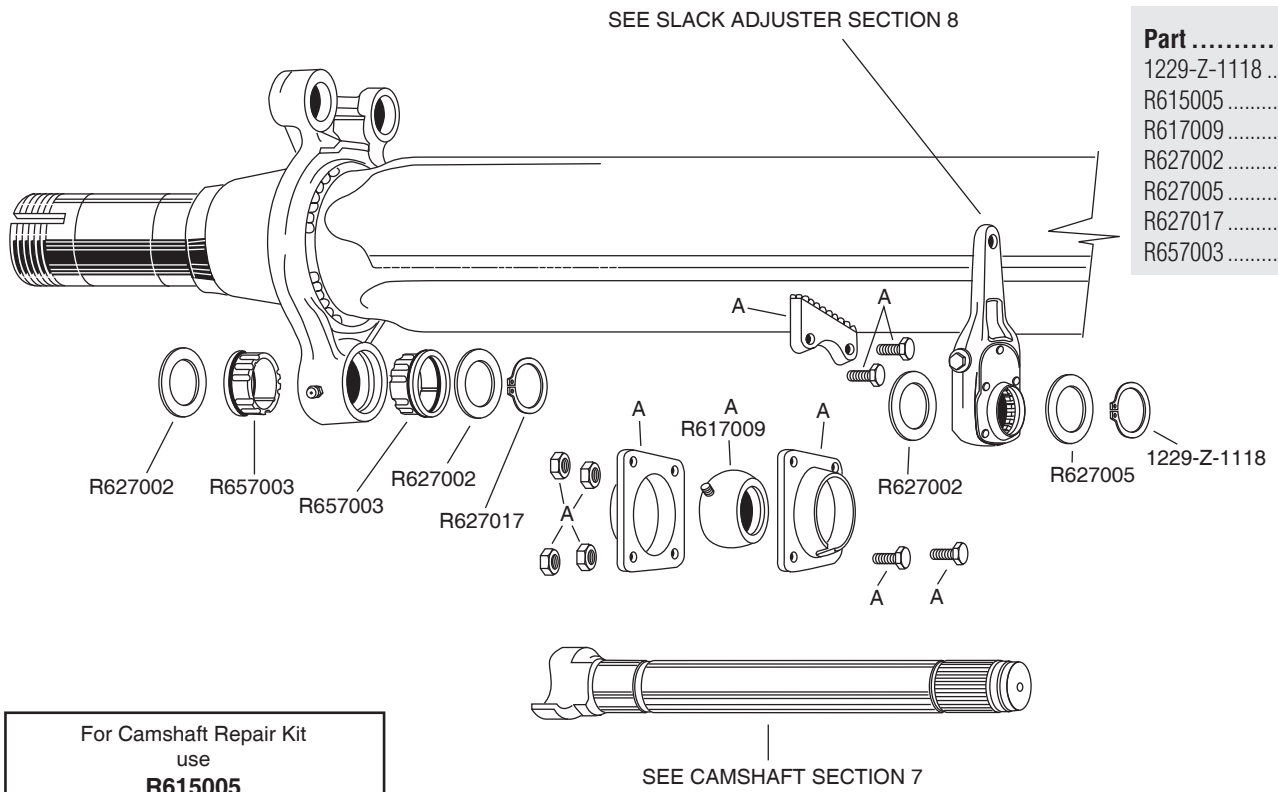
PARTS FOR FRUEHAUF "PRO-PAR" TRAILER AXLE WITH 12-1/4" DIAMETER BRAKES

HUB CAPS, SPINDLE NUTS, SEALS & STUDS

| Part | Page |
|---------------|-------|
| R001559 | 11-35 |
| R001561 | 11-35 |
| R002550 | 11-35 |
| R004075 | 11-51 |
| R005500 | 11-51 |



CAMSHAFT, BUSHINGS & BRACKET PARTS



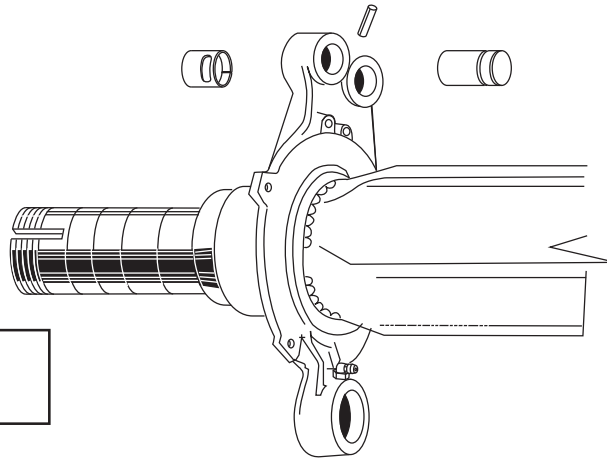
| Part | Page |
|-----------------|------|
| 1229-Z-1118 ... | 7-63 |
| R615005 | 7-42 |
| R617009 | 7-66 |
| R627002 | 7-61 |
| R627005 | 7-59 |
| R627017 | 7-63 |
| R657003 | 7-66 |

For Camshaft Repair Kit
use
R615005

PARTS FOR FRUEHAUF "PRO-PAR" TRAILER AXLE WITH 12-1/4" DIAMETER BRAKES

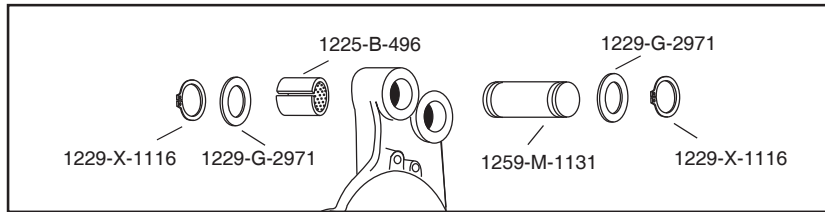
ANCHOR PIN HARDWARE

| Part | Page |
|-------------------|------|
| 1225-B-496 | 3-7 |
| 1229-X-1116 | 3-9 |
| 1229-G-2971 ... | 7-59 |
| 1259-M-1131 | 3-5 |
| R507005 | 2-ii |



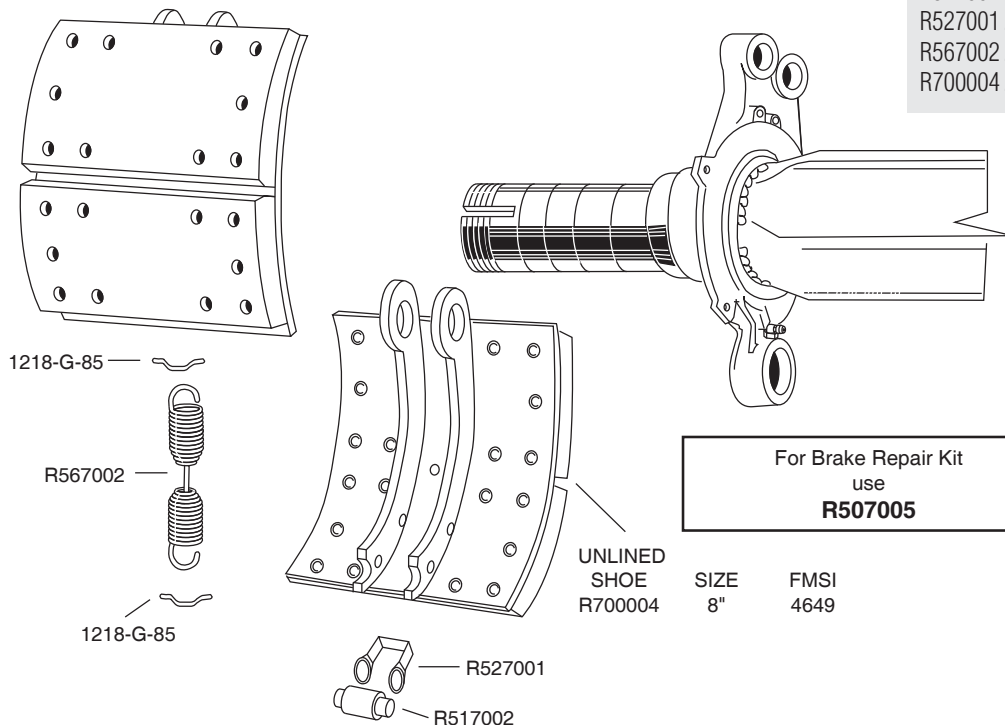
For Brake Repair Kit
use
R507005

ALTERNATE ANCHOR PIN HARDWARE



SHOE, ROLLER & SPRING

| Part | Page |
|-----------------|------|
| 1218-G-85 | 3-15 |
| R517002 | 3-ii |
| R527001 | 3-4 |
| R567002 | 3-4 |
| R700004 | 4-ii |

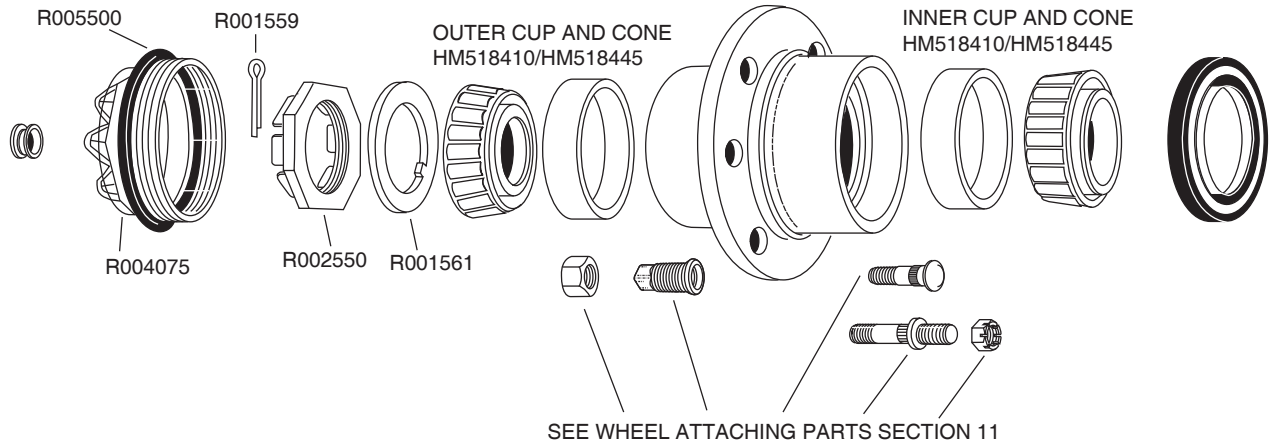


For Brake Repair Kit
use
R507005

PARTS FOR FRUEHAUF "PRO-PAR" TRAILER AXLE WITH 16-1/2" DIAMETER BRAKES

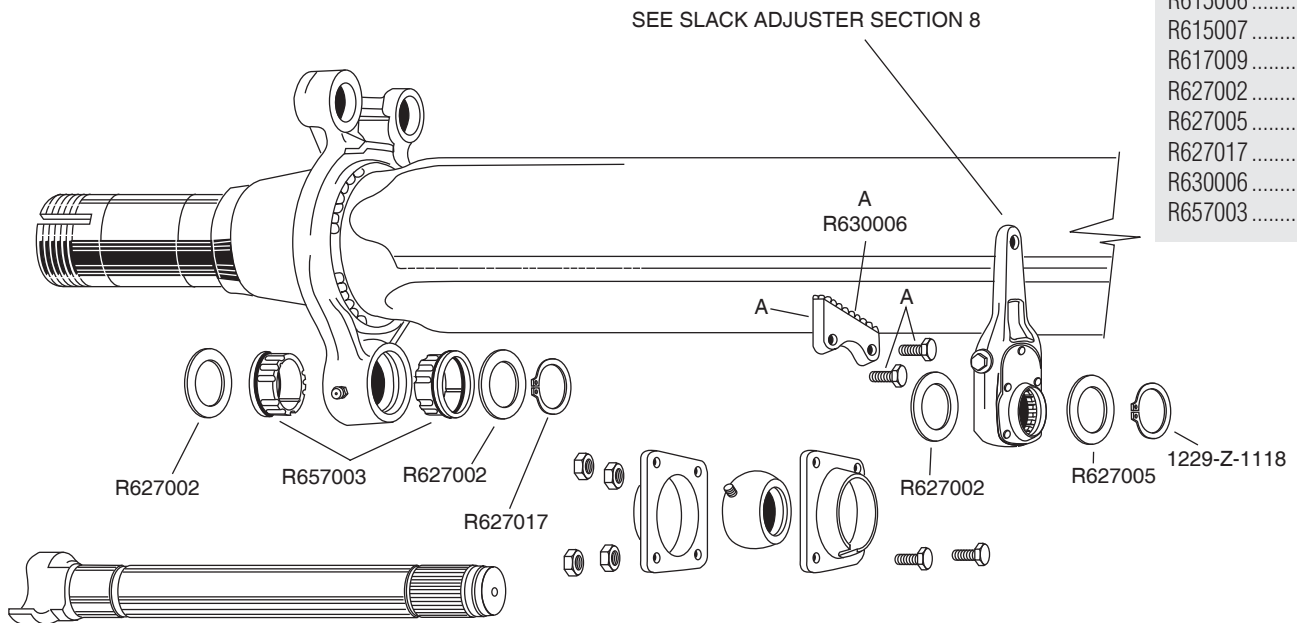
HUB CAPS, SPINDLE NUTS, SEALS & STUDS

| Part | Page |
|---------------|-------|
| R001559 | 11-35 |
| R001561 | 11-35 |
| R002550 | 11-35 |
| R004075 | 11-51 |
| R005500 | 11-51 |



CAMSHAFT, BUSHINGS & BRACKET PARTS

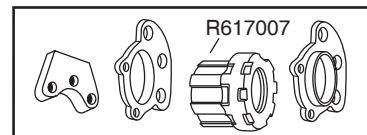
| Part | Page |
|-----------------|------|
| 1229-Z-1118 ... | 7-63 |
| R615005 | 7-42 |
| R615006 | 7-42 |
| R615007 | 7-42 |
| R617009 | 7-66 |
| R627002 | 7-61 |
| R627005 | 7-59 |
| R627017 | 7-63 |
| R630006 | 7-68 |
| R657003 | 7-66 |



SEE CAMSHAFT SECTION 7

For Camshaft Repair Kit
use **R615005**
R615006 (Old Style)

OLD STYLE

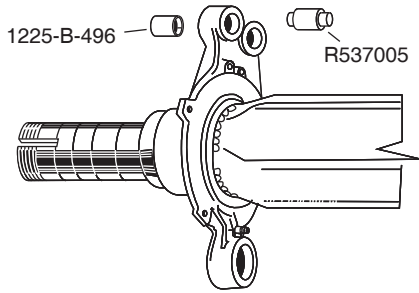


PARTS FOR FRUEHAUF "PRO-PAR" TRAILER AXLE WITH 16-1/2" DIAMETER BRAKES

ANCHOR PIN HARDWARE

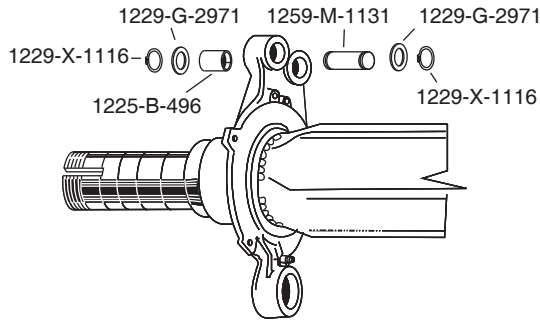
| Part | Page |
|--------------------|------|
| 1225-B-496 | 3-7 |
| 1229-G-2971 ... | 7-59 |
| 1229-X-1116 | 3-9 |
| 1259-M-1131 | 3-5 |
| KIT 8000MB | 2-21 |
| KIT 8000MBHD | 2-21 |
| KIT 8014 | 2-21 |
| KIT 8014HD | 2-24 |
| R507006 | 2-15 |
| R507008 | 2-15 |
| R507010 | 2-15 |
| R507011 | 2-15 |
| R507087 | 2-33 |
| R509000 | 2-19 |
| R509001 | 2-20 |
| R537005 | 3-5 |
| R547028 | 3-5 |

NEW "XEM" ANCHOR PIN HARDWARE



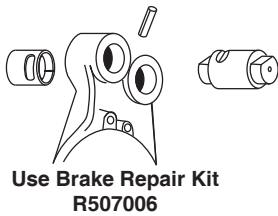
For Brake Repair Kit use
**KIT 8000MB, KIT 8000MB HD,
KIT 8014, KIT 8014HD,
R507008, R507010**

STD. ANCHOR PIN HARDWARE



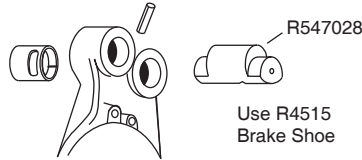
For Brake Repair Kit use
R509000, R509001

OLD STYLE "XEM" BRAKE



Use Brake Repair Kit
R507006

ECCENTRIC ANCHOR PIN BRAKE Uses Meritor "Q" Style Shoes



Use Brake Repair Kit **R507087**

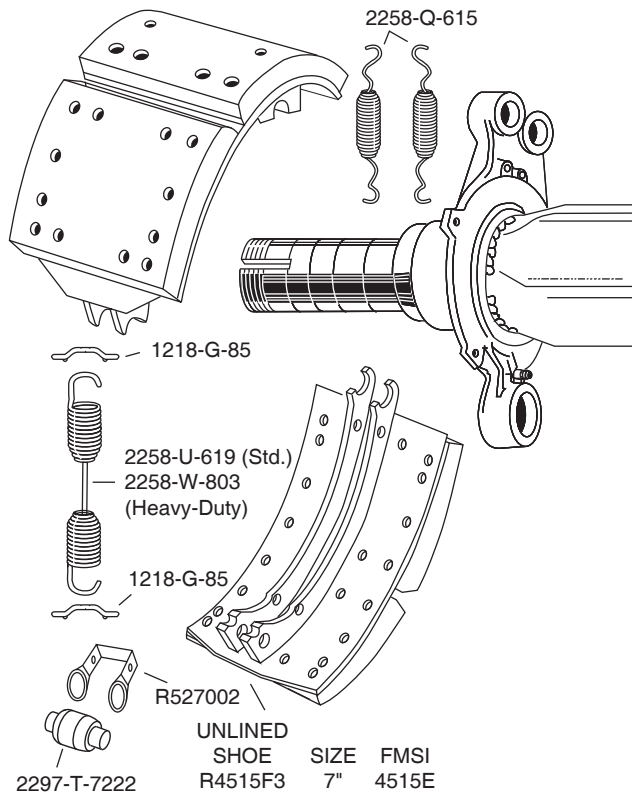
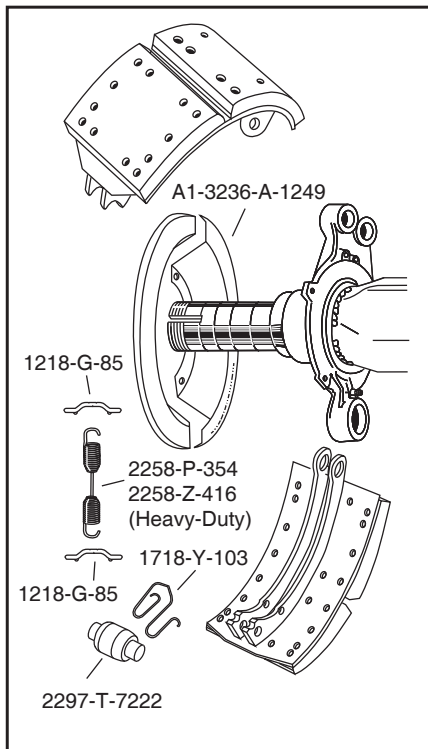
OLD STYLE ANCHOR PIN BRAKE



Use Brake Repair Kit
R507011

SHOES, ROLLERS, SPRINGS & DUST SHIELD

STD. BRAKE



| Part | Page |
|----------------------|------|
| 1218-G-85 | 3-15 |
| 1718-Y-103 | 3-4 |
| 2258-P-354 | 3-13 |
| 2258-Z-416 | 3-12 |
| 2258-Q-615 | 3-13 |
| 2258-U-619 | 3-12 |
| 2258-W-803 | 3-13 |
| 2297-T-7222 | 3-1 |
| A1-3236-A-1249 | 6-2 |
| R4515F3 | 4-16 |
| R527002 | 3-4 |

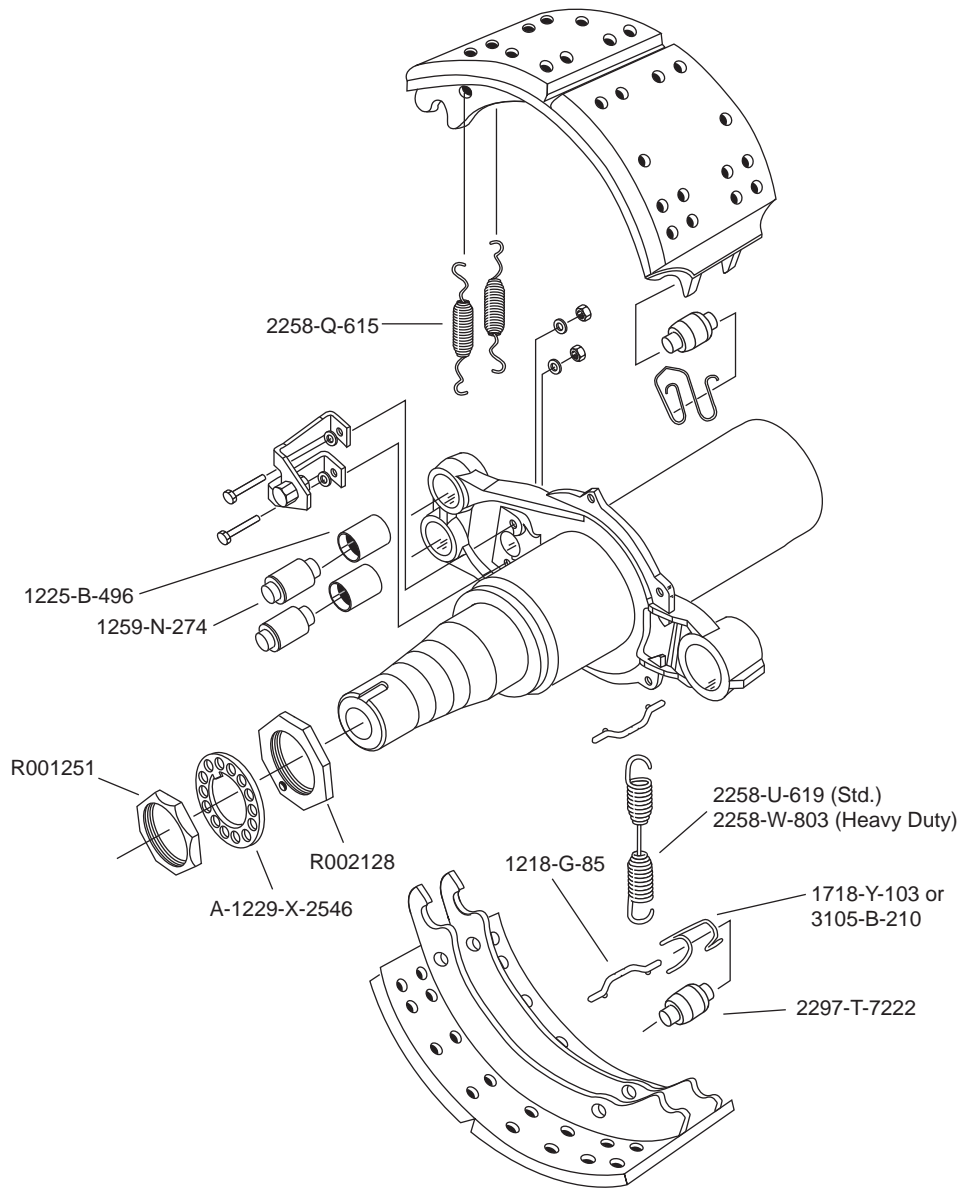
UNLINED
SHOE SIZE FMSI
R4515F3 7" 4515E

PARTS FOR HENDRICKSON INTRAAX® TRAILER AXLE WITH 16-1/2" DIAMETER BRAKES

BRAKE COMPONENTS

UNLINED
SHOE
A91-3222-S-1293 SIZE 7" FMSI 4515E

| Part | Page |
|-----------------------|-------|
| 1218-G-85 | 3-15 |
| 1225-B-496 | 3-7 |
| 1259-N-274 | 3-5 |
| 1718-Y-103 | 3-4 |
| 2258-Q-615 | 3-12 |
| 2258-U-619 | 3-13 |
| 2258-W-803 | 3-13 |
| 2297-T-7222 | 3-1 |
| 3105-B-210 | 3-4 |
| A-1229-X-2546 | 11-36 |
| A91-3222-S-1293 | 4-7 |
| KIT 8000 | 2-20 |
| KIT 8000HD | 2-24 |
| KIT 8000MB | 2-21 |
| KIT 8000MBHD | 2-21 |
| KIT 8014 | 2-21 |
| KIT 8014HD | 2-24 |
| R001251 | 11-36 |
| R002128 | 11-36 |

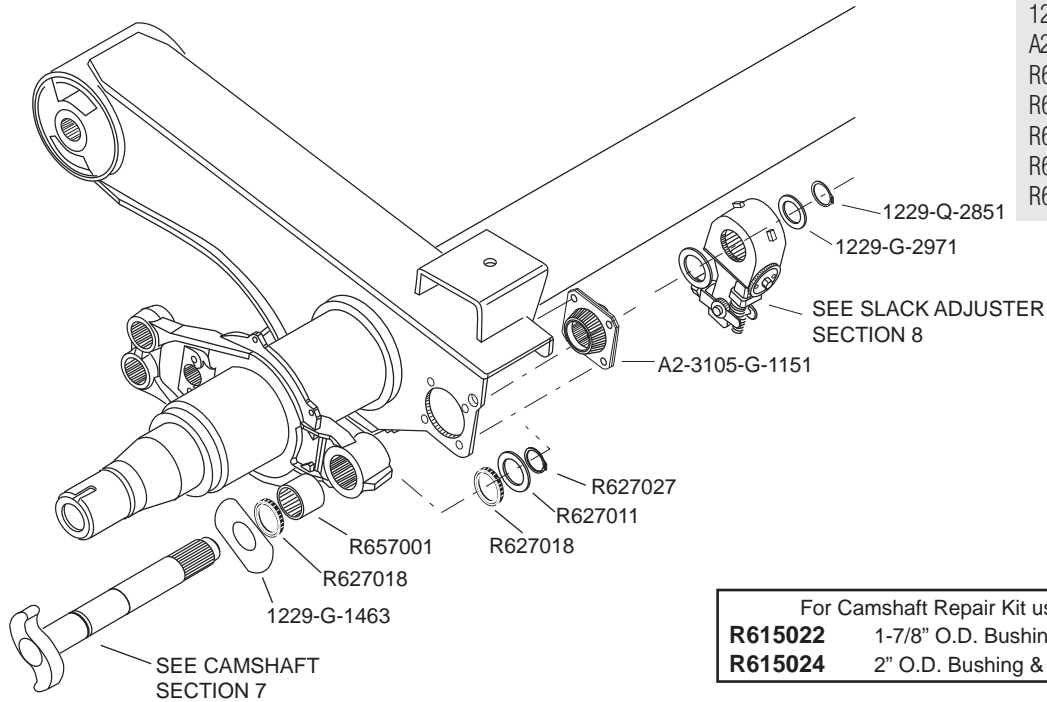


For Brake Repair Kit use
**KIT 8000, KIT 8000HD, KIT 8000MB,
KIT 8000MBHD, KIT 8014, KIT 8014HD**

PARTS FOR HENDRICKSON INTRAAX® TRAILER AXLE WITH 16-1/2" DIAMETER BRAKES

CAMSHAFT, BUSHINGS & BRACKET PARTS OLD STYLE, EXPOSED CAM

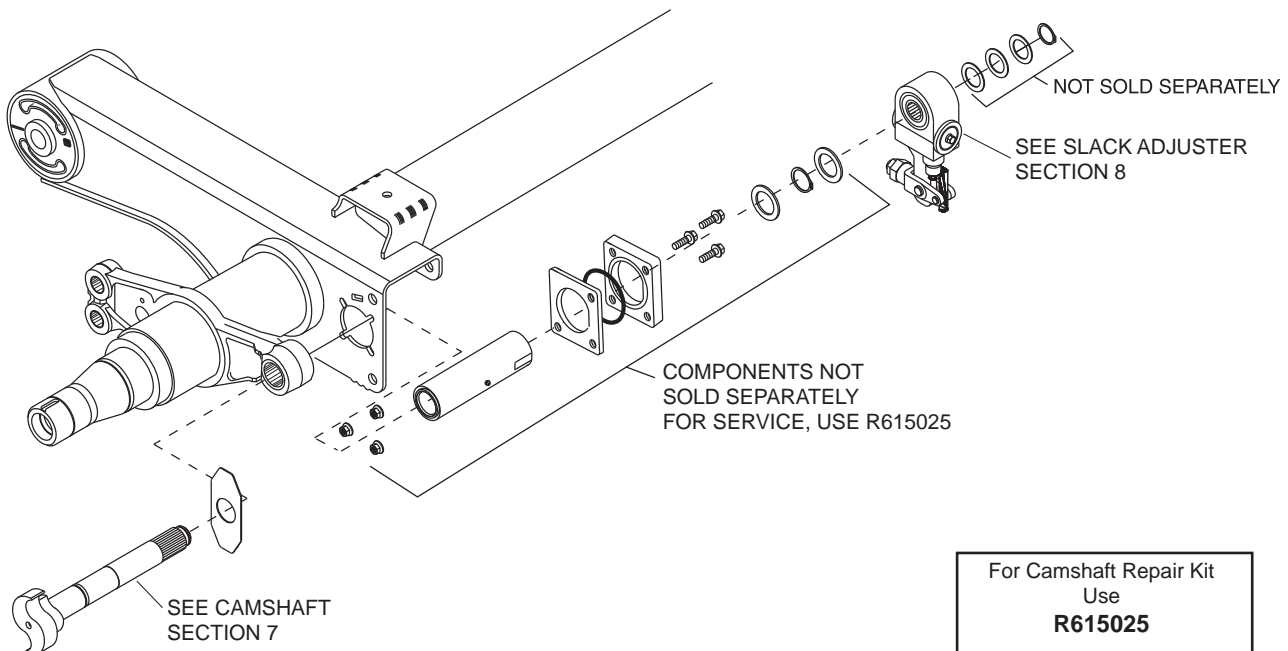
| Part | Page |
|----------------|------|
| 1229-G-1463... | 7-60 |
| 1229-Q-2851... | 7-63 |
| 1229-G-2971... | 7-59 |
| A2-3105-G-1151 | 7-68 |
| R615022 | 7-48 |
| R615024 | 7-48 |
| R627018 | 7-70 |
| R627027 | 7-63 |
| R657001 | 7-64 |



| | |
|-----------------------------|----------------------------|
| For Camshaft Repair Kit use | |
| R615022 | 1-7/8" O.D. Bushing & Seal |
| R615024 | 2" O.D. Bushing & Seal |

CAMSHAFT, BUSHINGS & BRACKET PARTS NEW STYLE, ENCLOSED CAM

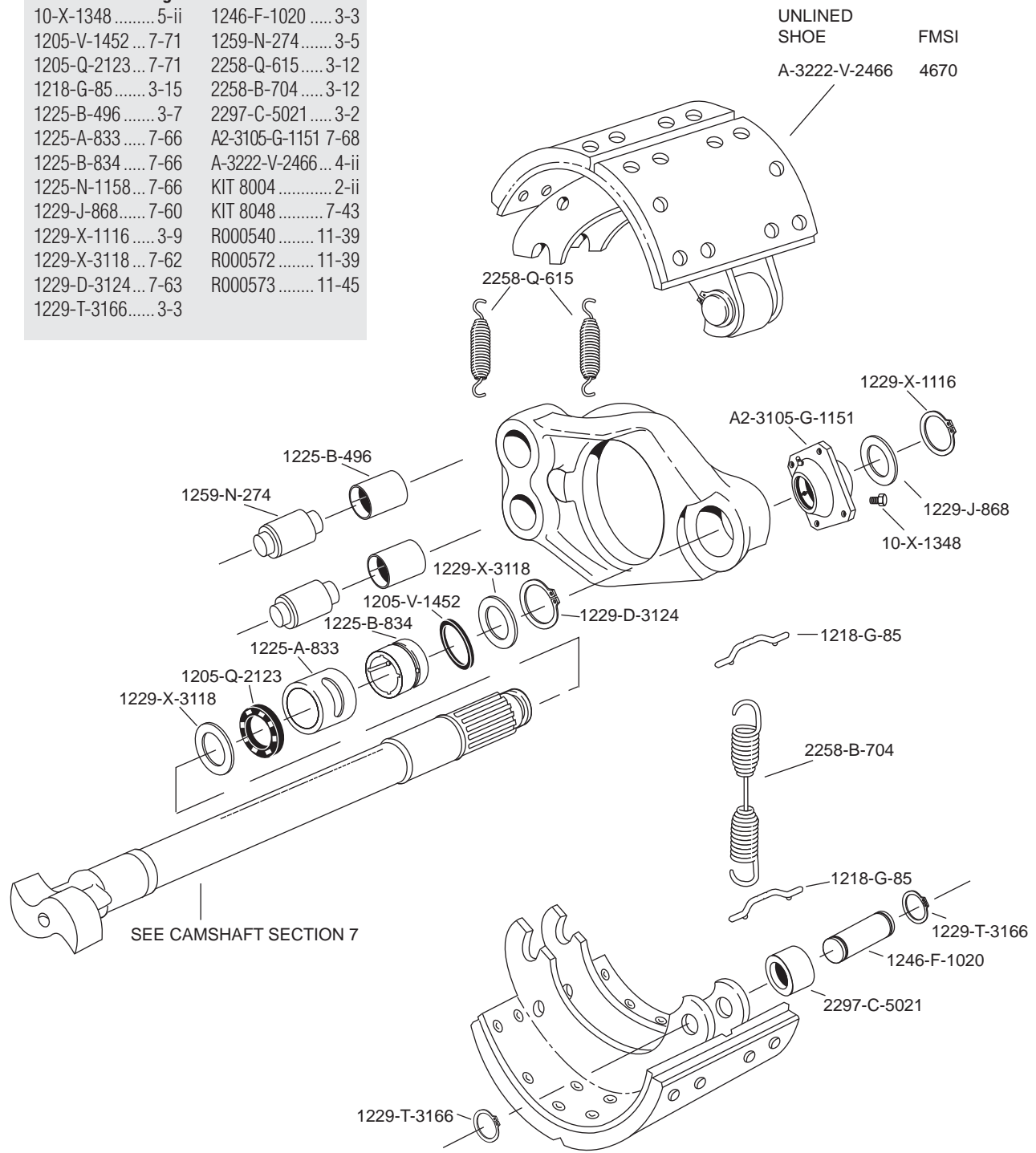
| Part | Page |
|---------------|------|
| R615025 | 7-48 |



| |
|--|
| For Camshaft Repair Kit Use R615025 |
|--|

MERITOR TK, TKL, TKN, TL, TN, & TQ 12-1/4" x 7-1/2" "Q" BRAKES

| Part | Page |
|-------------------|-------|
| 10-X-1348 | 5-ii |
| 1205-V-1452 ... | 7-71 |
| 1205-Q-2123 ... | 7-71 |
| 1218-G-85 | 3-15 |
| 1225-B-496 | 3-7 |
| 1225-A-833 | 7-66 |
| 1225-B-834 | 7-66 |
| 1225-N-1158 ... | 7-66 |
| 1229-J-868 | 7-60 |
| 1229-X-1116 | 3-9 |
| 1229-X-3118 ... | 7-62 |
| 1229-D-3124 ... | 7-63 |
| 1229-T-3166 | 3-3 |
| 1246-F-1020 | 3-3 |
| 1259-N-274 | 3-5 |
| 2258-Q-615 | 3-12 |
| 2258-B-704 | 3-12 |
| 2297-C-5021 | 3-2 |
| A2-3105-G-1151 | 7-68 |
| A-3222-V-2466 ... | 4-ii |
| KIT 8004 | 2-ii |
| KIT 8048 | 7-43 |
| R000540 | 11-39 |
| R000572 | 11-39 |
| R000573 | 11-45 |



For Brake Repair Kit
use
KIT 8004

For Camshaft Repair Kit
use
KIT 8048

MERITOR "W" SERIES CAM BRAKES

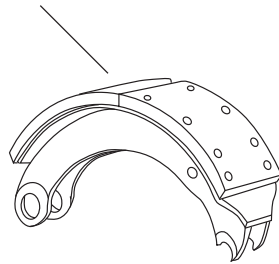
14-1/2" x 4" & 6"

| Part | Page |
|----------------|------|
| A-1205-V-1556 | 7-40 |
| 1225-R-512 | 6-4 |
| 1229-D-108 | 3-9 |
| 1229-S-747 | 7-61 |
| 1229-X-1116 | 3-9 |
| 1229-S-2697 | 7-61 |
| 1229-Q-2851 | 3-9 |
| 1229-X-2936 | 7-61 |
| 1259-X-76 | 7-63 |
| 1725-V-22 | 7-60 |
| 1746-U-47 | 3-6 |
| 1779-J-114 | 3-15 |
| 2258-J-1440 | 3-ii |
| A4-3222-M-1157 | 3-13 |
| KIT 6000 | 4-1 |
| KIT 6004 | 2-4 |
| KIT 8032 | 7-44 |
| S-258-2 | 5-ii |
| WA-15Z | 5-1 |

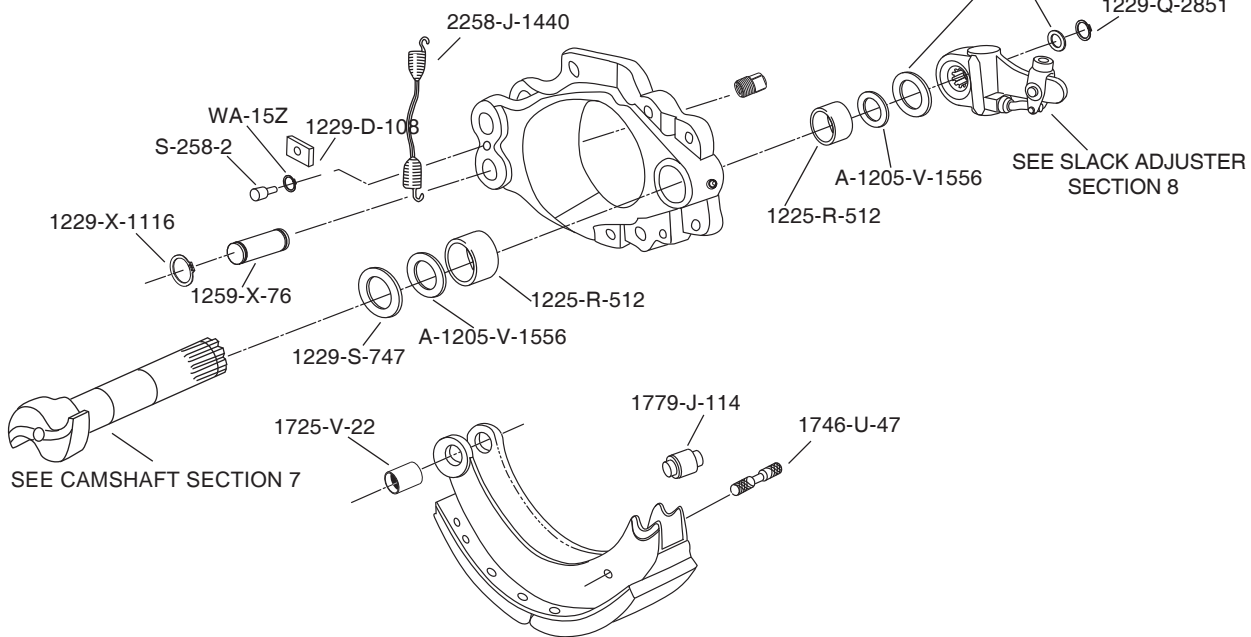
UNLINED
SHOE

| SIZE | FMSI |
|------|------|
| 6" | 4228 |

A4-3222-M-1157



| PART NO. | I.D. | THICK |
|-------------|----------|-------|
| 1229-X-2936 | 1-15/32" | 1/16" |
| 1229-S-2697 | 1-17/32" | 3/32" |



For Brake Repair Kit
use
KIT 6000
KIT 6004

For Camshaft Repair Kit
use
KIT 8032

MERITOR "W" SERIES CAM BRAKES

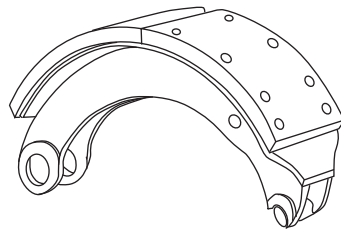
14-1/2" x 5"

For Brake Repair Kit use
KIT 6010

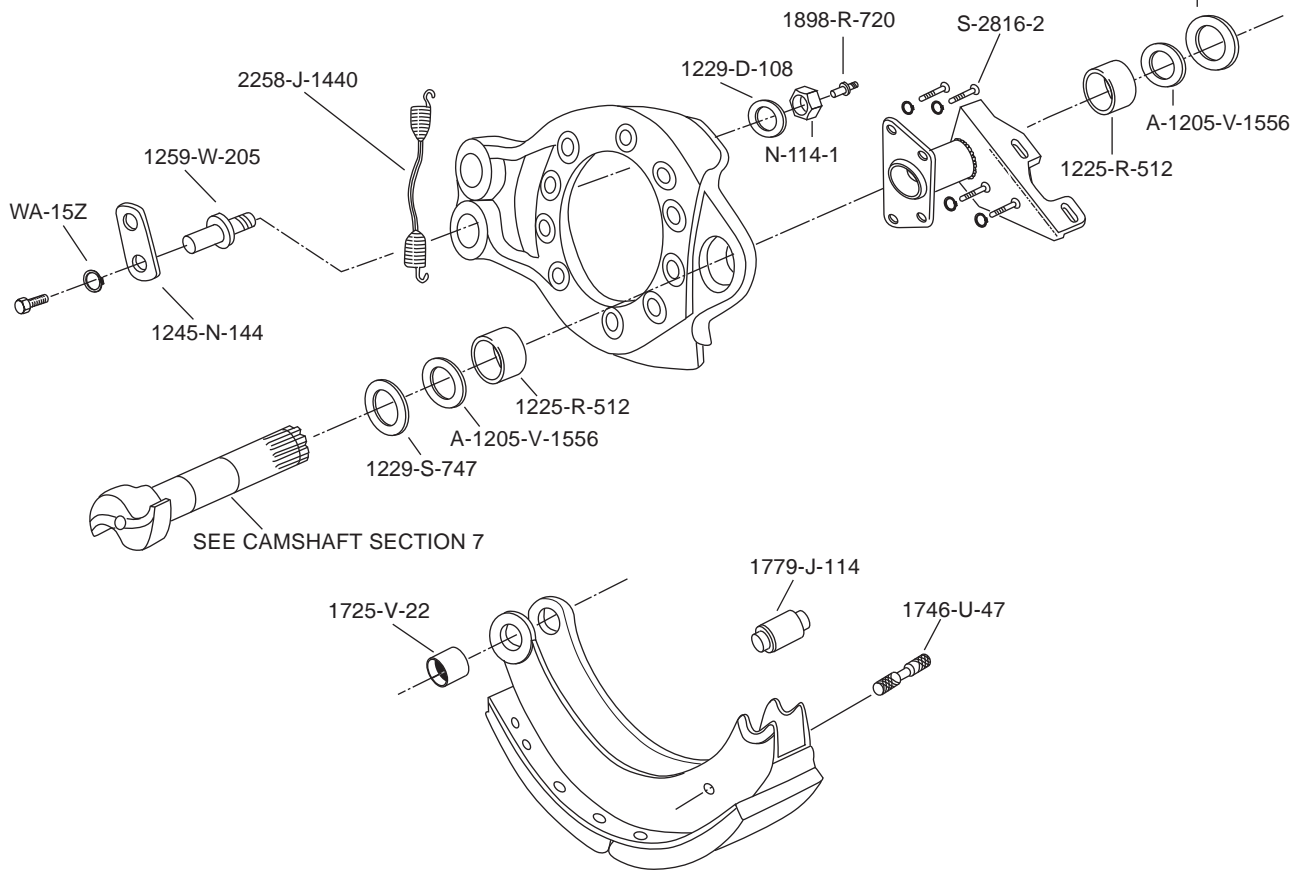
For Camshaft Repair Kit use
KIT 8032

| Part | Page |
|------------------|------|
| A-1205-V-1556.. | 7-70 |
| 1225-R-512..... | 6-4 |
| 1229-D-108 | 3-9 |
| 1229-S-747 | 7-61 |
| 1229-S-2697..... | 7-61 |
| 1229-X-2936..... | 7-60 |
| 1245-N-144 | 3-8 |
| 1259-W-205..... | 3-6 |
| 1725-V-22..... | 3-10 |
| 1746-U-47..... | 3-15 |
| 1779-J-114 | 3-ii |
| 1898-R-720..... | 8-17 |
| 2258-J-1440..... | 3-13 |
| A31-3722-D-368. | 4-1 |
| KIT 6010..... | 2-5 |
| KIT 8032..... | 7-44 |
| N-114-1..... | 3-10 |
| S-2816-2..... | 5-ii |
| WA-15Z..... | 5-1 |

UNLINED
SHOE FMSI
A31-3722-D-368 4398B



| PART NO. | I.D. | THICK |
|-------------|----------|-------|
| 1229-X-2936 | 1-15/32" | 1/16" |
| 1229-S-2697 | 1-17/32" | 3/32" |



MERITOR "W" SERIES CAM BRAKES

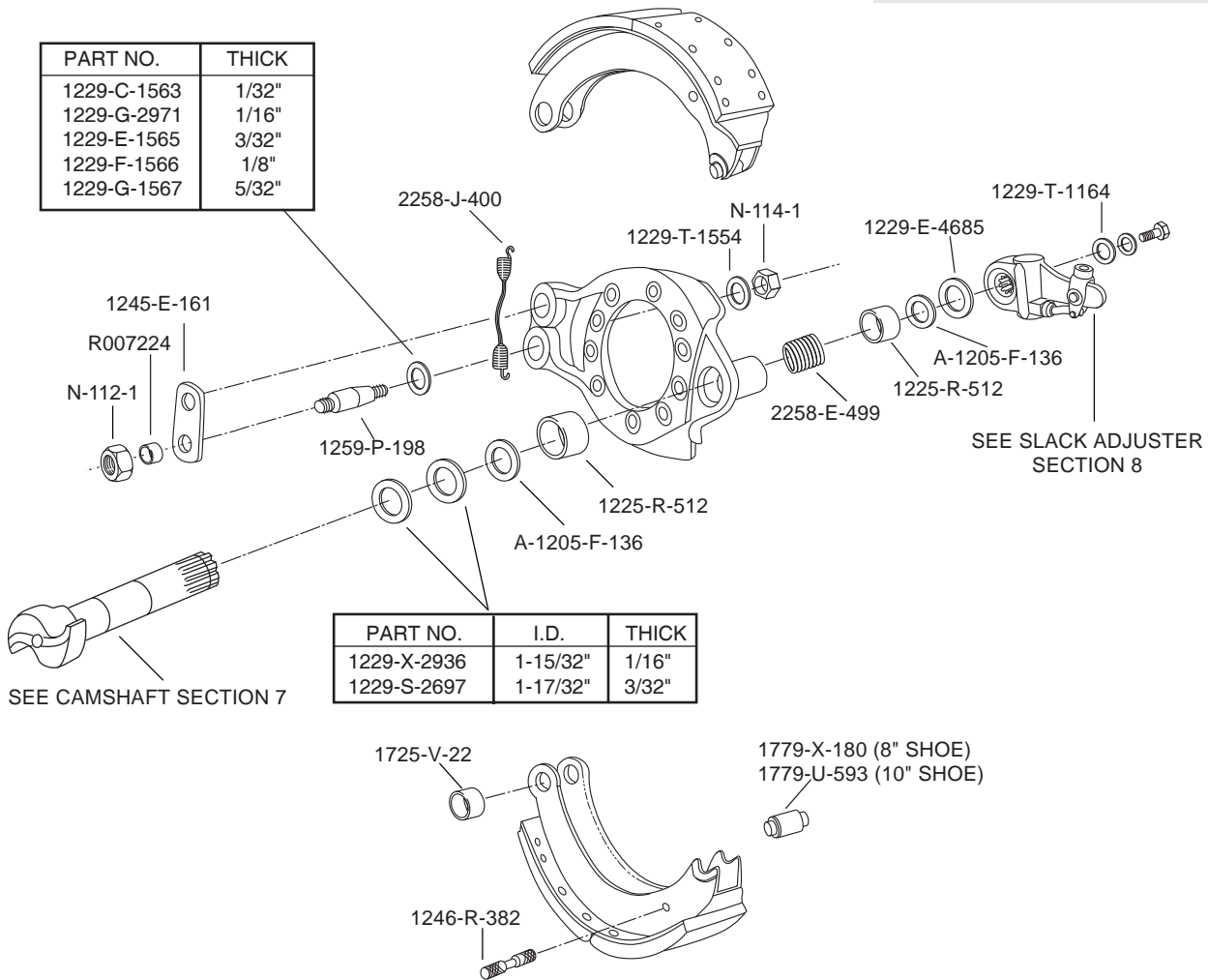
14-1/2" x 8" & 10"

TYPE 1: TAPER SEAT ANCHOR PIN, INTEGRAL CAMSHAFT BRACKET

| Part | Page | Part | Page |
|-------------|------|----------------|-------|
| 1225-R-512 | 7-64 | 1725-V-22 | 3-10 |
| 1229-C-1563 | 3-9 | 1779-U-593 | 3-ii |
| 1229-E-1565 | 3-9 | 1779-X-180 | 3-ii |
| 1229-E-4685 | 7-60 | 2258-E-499 | 7-67 |
| 1229-F-1566 | 3-9 | 2258-J-400 | 3-13 |
| 1229-G-1567 | 3-9 | A-1205-F-136 | 7-71 |
| 1229-G-2971 | 7-59 | A1-3722-R-824 | 4-1 |
| 1229-S-2697 | 7-58 | A24-3722-P-406 | 4-1 |
| 1229-T-1554 | 5-1 | KIT 6005 | 2-5 |
| 1229-T-1164 | 7-59 | KIT 8032 | 7-44 |
| 1229-X-2936 | 7-60 | N-112-1 | 3-10 |
| 1245-E-161 | 3-8 | N-114-1 | 3-10 |
| 1246-R-382 | 3-15 | R007224 | 11-29 |
| 1259-P-198 | 3-6 | | |

| UNLINED SHOE | SIZE | FMSI |
|----------------|------|-------|
| A24-3722-P-406 | 8" | 4541 |
| A1-3722-R-824 | 10" | 4592A |

| PART NO. | THICK |
|-------------|-------|
| 1229-C-1563 | 1/32" |
| 1229-G-2971 | 1/16" |
| 1229-E-1565 | 3/32" |
| 1229-F-1566 | 1/8" |
| 1229-G-1567 | 5/32" |



| PART NO. | I.D. | THICK |
|-------------|----------|-------|
| 1229-X-2936 | 1-15/32" | 1/16" |
| 1229-S-2697 | 1-17/32" | 3/32" |

For Brake Repair Kit use
KIT 6005

For Camshaft Repair Kit use
KIT 8032

MERITOR "W" SERIES CAM BRAKES

14-1/2" x 10"

TYPE 2: STRAIGHT ANCHOR PIN, INTEGRAL CAM BRACKET

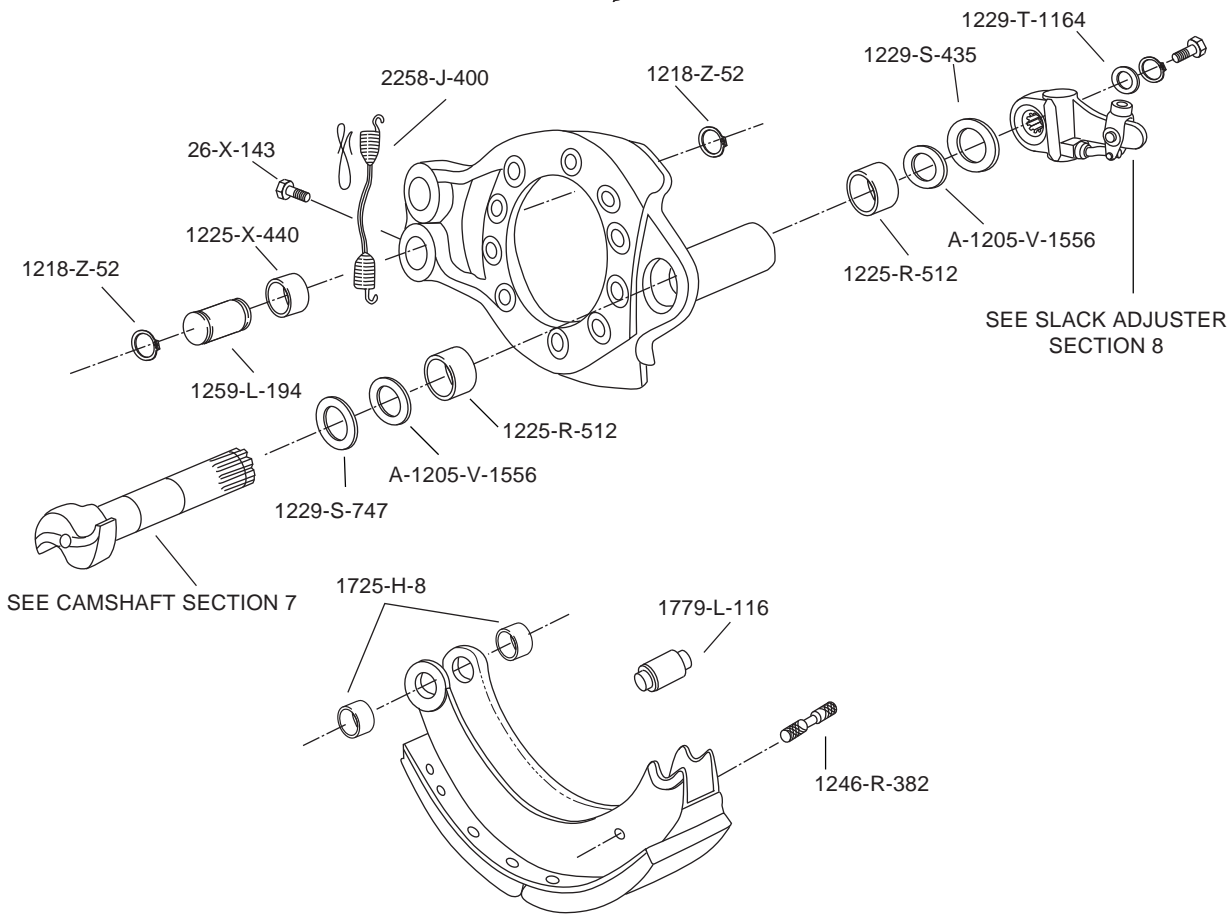
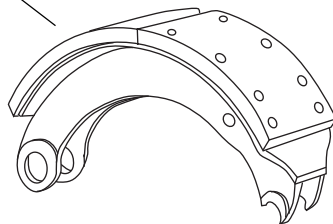
For Brake Repair Kit use
KIT 6003

For Camshaft Repair Kit use
KIT 8032

| Part | Page |
|---------------------|------|
| 26-X-143 | 5-ii |
| A-1205-V-1556 | 7-70 |
| 1218-Z-52 | 3-8 |
| 1225-X-440 | 3-7 |
| 1225-R-512 | 7-64 |
| 1229-S-435 | 7-61 |
| 1229-S-747 | 7-61 |
| 1229-T-1164..... | 7-59 |
| 1246-R-382 | 3-15 |
| 1259-L-194 | 3-5 |
| 1725-H-8 | 3-10 |
| 1779-L-116 | 3-ii |
| 2258-J-400..... | 3-13 |
| A1-3722-J-686.. | 4-1 |
| KIT 6003 | 2-4 |
| KIT 8032 | 7-44 |

UNLINED SHOE
A1-3722-J-686

FMSI
4592A



MERITOR "W" SERIES CAM BRAKES

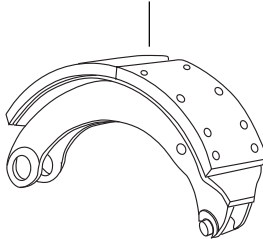
14-1/2" x 10"

TYPE 3: TAPER SEAT ANCHOR PIN, STANDARD CAM AND CHAMBER BRACKET

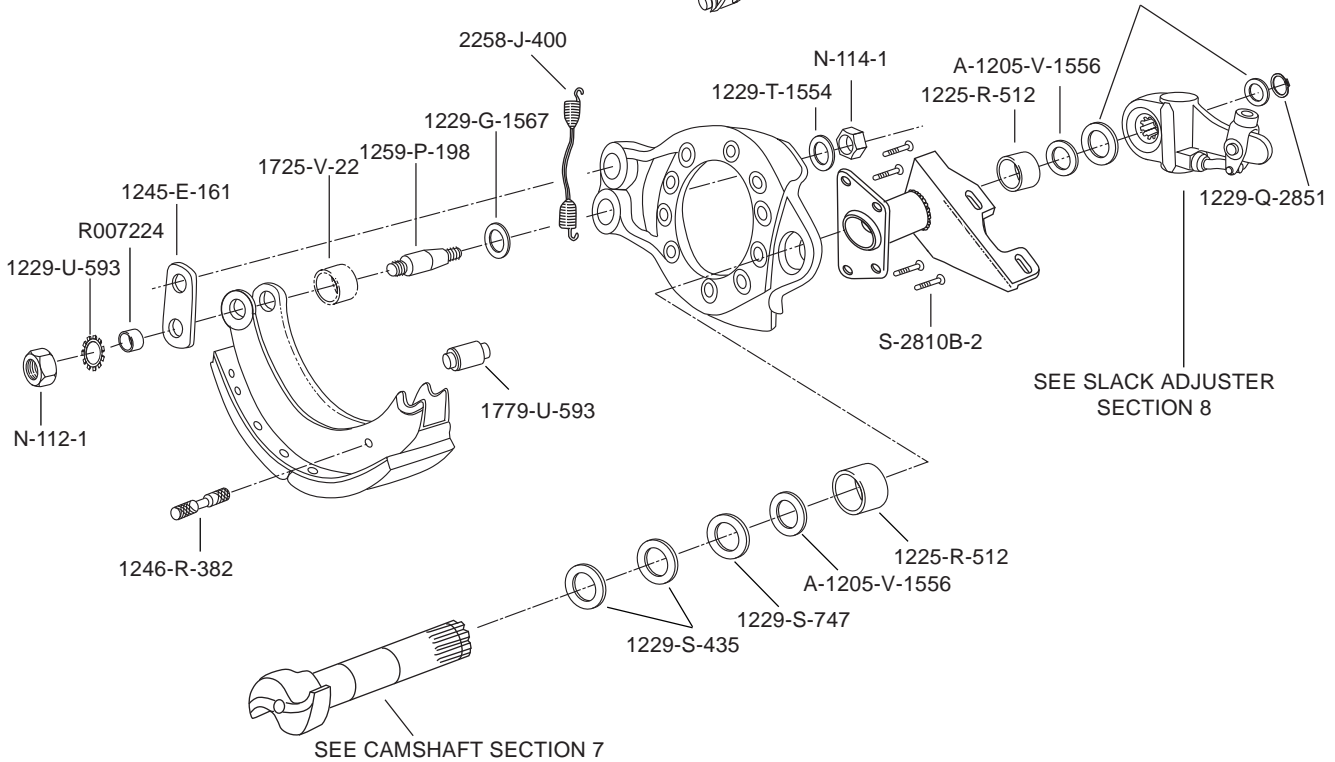
For Brake Repair Kit use
KIT 6008

| Part | Page |
|---------------|-------|
| 1225-R-512 | 7-64 |
| 1229-S-435 | 7-61 |
| 1229-U-593 | 3-9 |
| 1229-S-747 | 7-61 |
| 1229-T-1554 | 5-1 |
| 1229-G-1567 | 3-9 |
| 1229-S-2697 | 7-61 |
| 1229-Q-2851 | 7-63 |
| 1245-E-161 | 3-8 |
| 1246-R-382 | 3-15 |
| 1259-P-198 | 3-6 |
| 1725-V-22 | 3-10 |
| 1779-U-593 | 3-ii |
| 2258-J-400 | 3-13 |
| A-1205-V-1556 | 7-70 |
| A1-3722-R-824 | 4-1 |
| KIT 6008 | 2-5 |
| N-112-1 | 5-2 |
| N-114-1 | 5-2 |
| R007224 | 11-29 |
| S-2810B-2 | 5-ii |

UNLINED SHOE SIZE FMSI
A1-3722-R-824 10" 4592A



| PART NO. | I.D. | THICK |
|-------------|----------|-------|
| 1229-S-2697 | 1-17/32" | 3/32" |



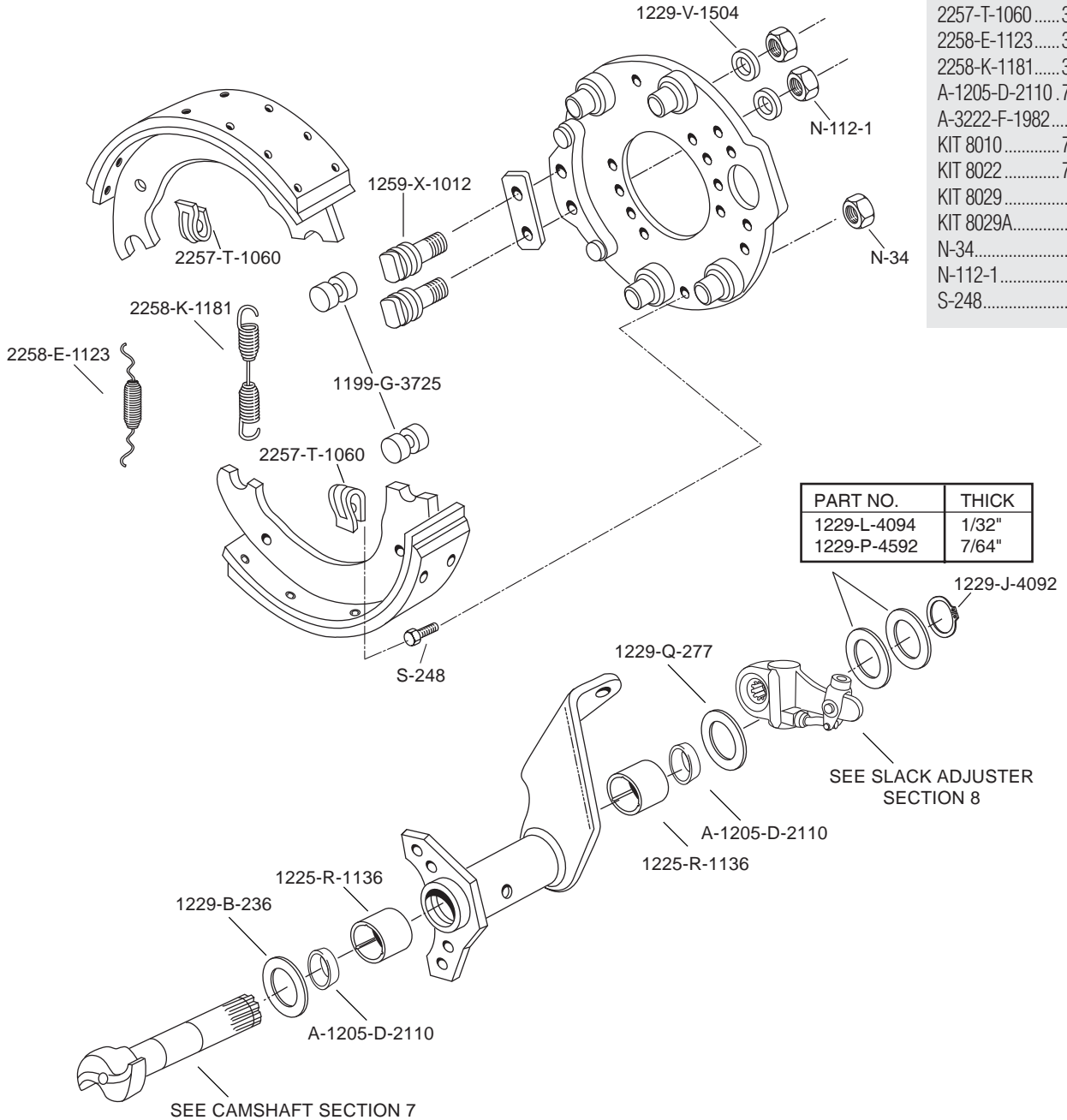
MERITOR "Q" SERIES CAM BRAKES FOR 15" x 4" STEERING AND DRIVE AXLES (CANNOT BE UPGRADED TO Q PLUS™)

For Brake Repair Kit use
KIT 8029

For Camshaft Repair Kit use
KIT 8010 - Washer
KIT 8022 - Seal & Bushing

UNLINED SHOE FMSI
A-3222-F-1982 1308TD

| Part | Page |
|---------------------|------|
| 1199-G-3725 | 3-1 |
| 1225-R-1136..... | 7-64 |
| 1229-B-236..... | 7-62 |
| 1229-J-4092 | 7-63 |
| 1229-L-4094..... | 7-59 |
| 1229-P-4592..... | 7-59 |
| 1229-Q-277 | 7-60 |
| 1229-V-1504..... | 3-9 |
| 1259-X-1012..... | 3-5 |
| 2257-T-1060 | 3-16 |
| 2258-E-1123..... | 3-16 |
| 2258-K-1181..... | 3-11 |
| A-1205-D-2110 | 7-70 |
| A-3222-F-1982.... | 4-2 |
| KIT 8010 | 7-58 |
| KIT 8022 | 7-45 |
| KIT 8029 | 2-8 |
| KIT 8029A..... | 2-8 |
| N-34..... | 5-2 |
| N-112-1..... | 5-2 |
| S-248..... | 5-ii |



| PART NO. | THICK |
|-------------|-------|
| 1229-L-4094 | 1/32" |
| 1229-P-4592 | 7/64" |

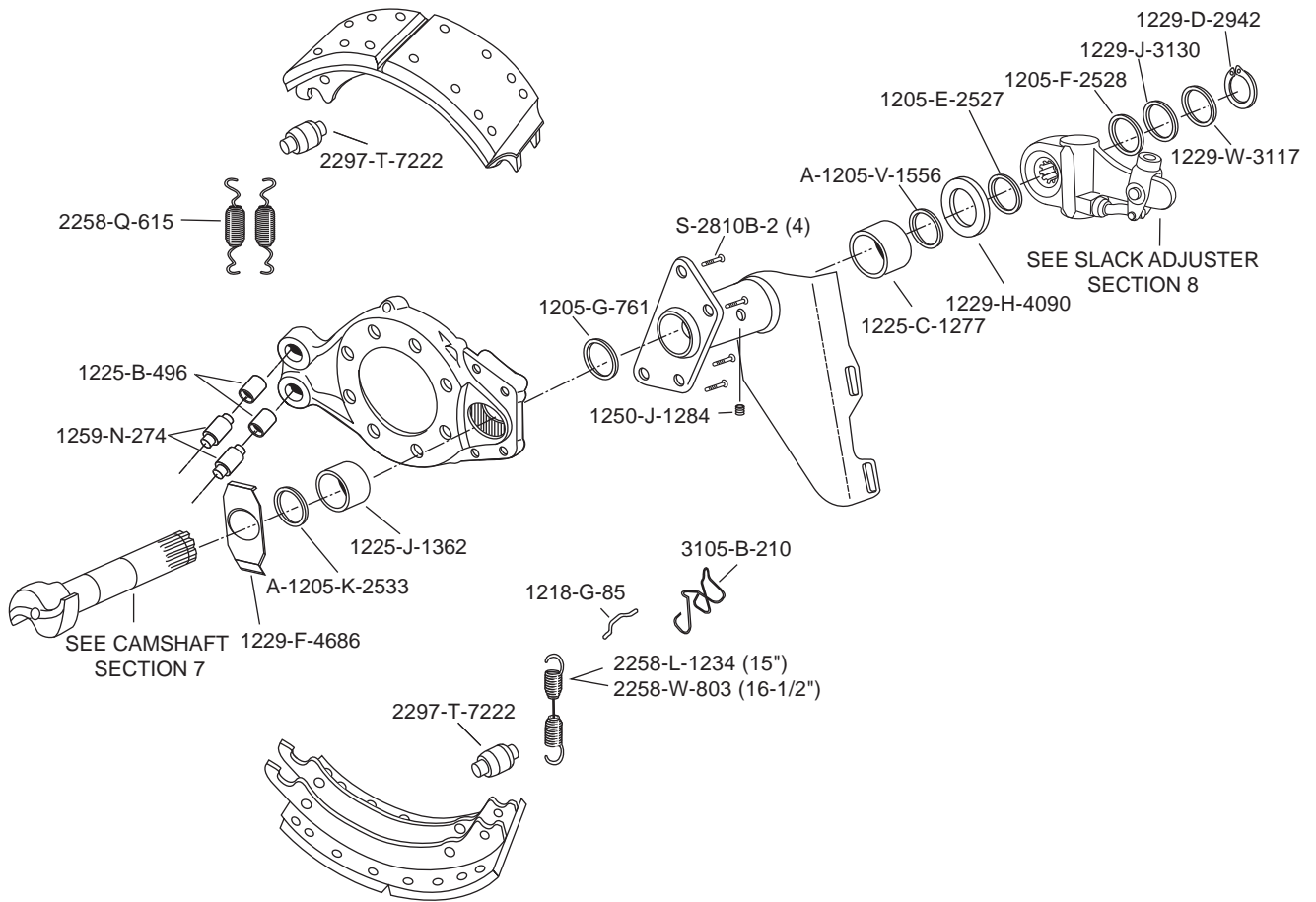
MERITOR Q PLUS™ SERIES CAM BRAKES FOR 15" & 16-1/2" MX500 LONG LIFE AND LX500 EXTENDED LUBE (CAST SPIDER)

For Brake Repair Kit use
KIT 8824HD - 15" or
KIT 8000HD - 16-1/2"

For Camshaft Repair Kit use
KIT 8883

| UNLINED SHOE | SIZE | FMSI |
|---------------|--------------|------|
| A-3222-D-2110 | 15" x 5" | 4703 |
| A-3222-J-2272 | 16-1/2" x 8" | 4718 |

| Part | Page |
|---------------|------|
| 1205-E-2527 | 8-17 |
| 1205-F-2528 | 8-17 |
| 1205-G-761 | 7-71 |
| 1218-G-85 | 3-15 |
| 1225-B-496 | 3-7 |
| 1225-C-1277 | 7-64 |
| 1225-J-1362 | 7-66 |
| 1229-D-2942 | 7-63 |
| 1229-F-4686 | 7-62 |
| 1229-H-4090 | 7-61 |
| 1229-J-3130 | 7-59 |
| 1229-W-3117 | 7-59 |
| 1250-J-1284 | 5-2 |
| 1259-N-274 | 3-5 |
| 2258-L-1234 | 3-13 |
| 2258-Q-615 | 3-12 |
| 2258-W-803 | 3-13 |
| 2297-T-7222 | 3-1 |
| 3105-B-210 | 3-4 |
| A-1205-K-2533 | 7-71 |
| A-1205-V-1556 | 7-70 |
| A-3222-D-2110 | 4-3 |
| A-3222-J-2272 | 4-8 |
| KIT 8000HD | 2-24 |
| KIT 8824HD | 2-8 |
| KIT 8883 | 7-46 |
| S-2810B-2 | 5-ii |



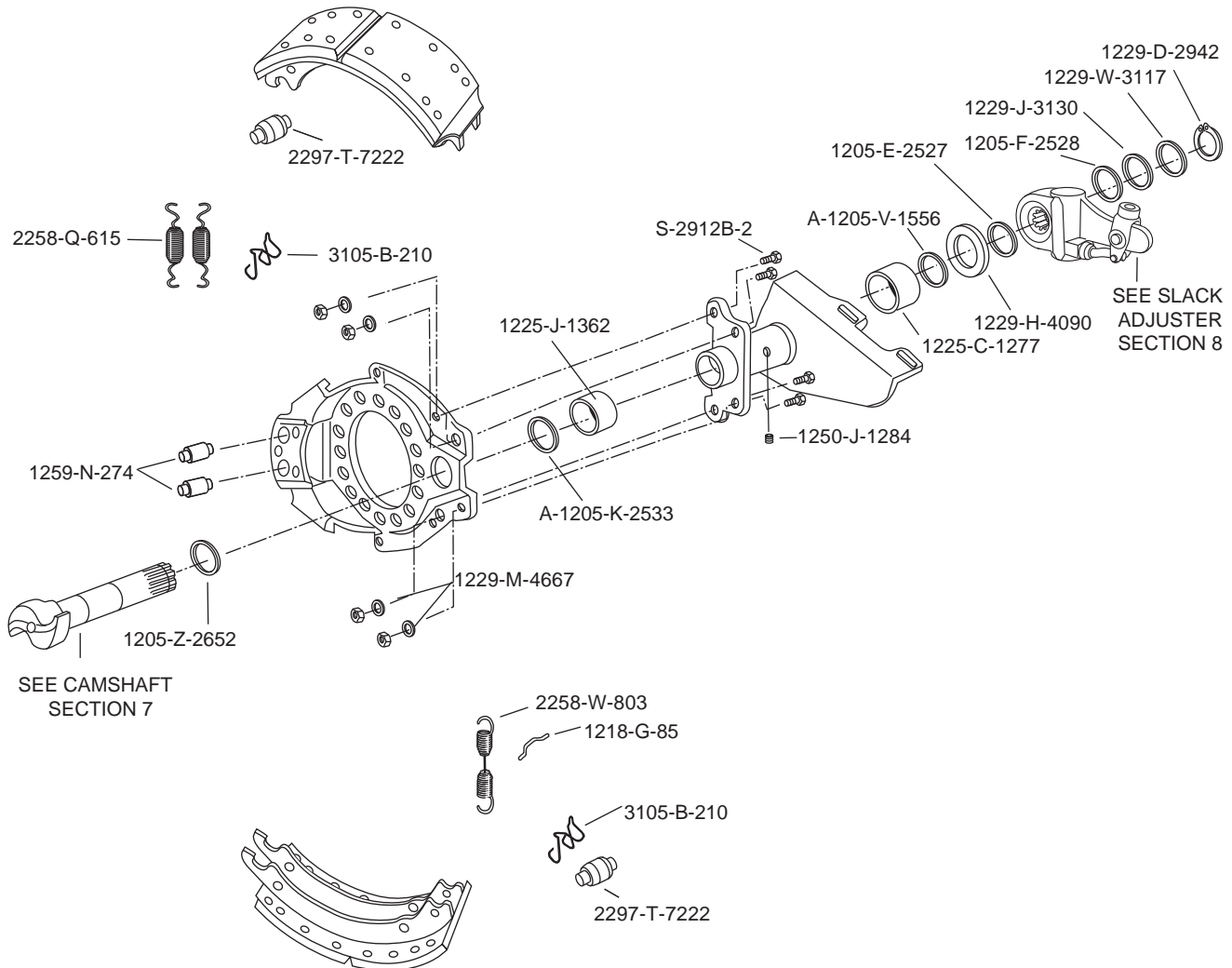
MERITOR Q PLUS™ SERIES CAM BRAKES FOR 15 & 16-1/2" MX500 LONG LIFE AND LX500 EXTENDED LUBE (STAMPED SPIDER)

For Brake Repair Kit use
KIT 8000HD

For Camshaft Repair Kit use
KIT 8883

Part Page

| | | | |
|------------------|------|--------------------|------|
| 1205-E-2527..... | 8-17 | 1259-N-274..... | 3-5 |
| 1205-F-2528..... | 8-17 | 2258-Q-615..... | 3-12 |
| 1205-Z-2652..... | 7-71 | 2258-W-803..... | 3-13 |
| 1218-G-85..... | 3-15 | 2297-T-7222..... | 3-1 |
| 1225-C-1277..... | 7-64 | 3105-B-210..... | 3-4 |
| 1225-J-1362..... | 7-66 | A-1205-K-2533..... | 7-71 |
| 1229-D-2942..... | 7-63 | A-1205-V-1556..... | 7-70 |
| 1229-H-4090..... | 7-61 | A-3222-J-2272..... | 4-8 |
| 1229-J-3130..... | 7-59 | KIT 8000HD..... | 2-24 |
| 1229-M-4667..... | 5-1 | KIT 8883..... | 7-46 |
| 1229-W-3117..... | 7-59 | S-2912B-2..... | 5-ii |
| 1250-J-1284..... | 5-2 | | |



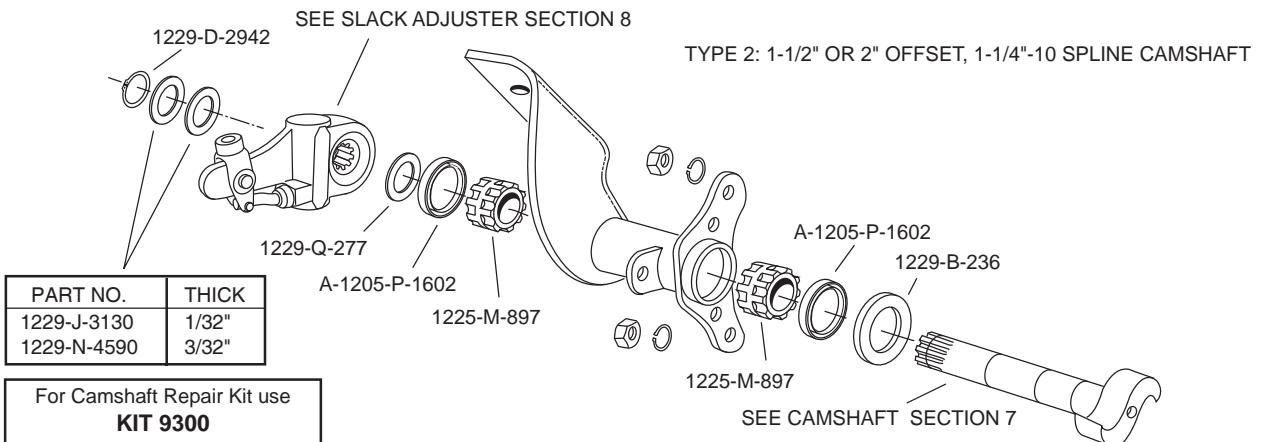
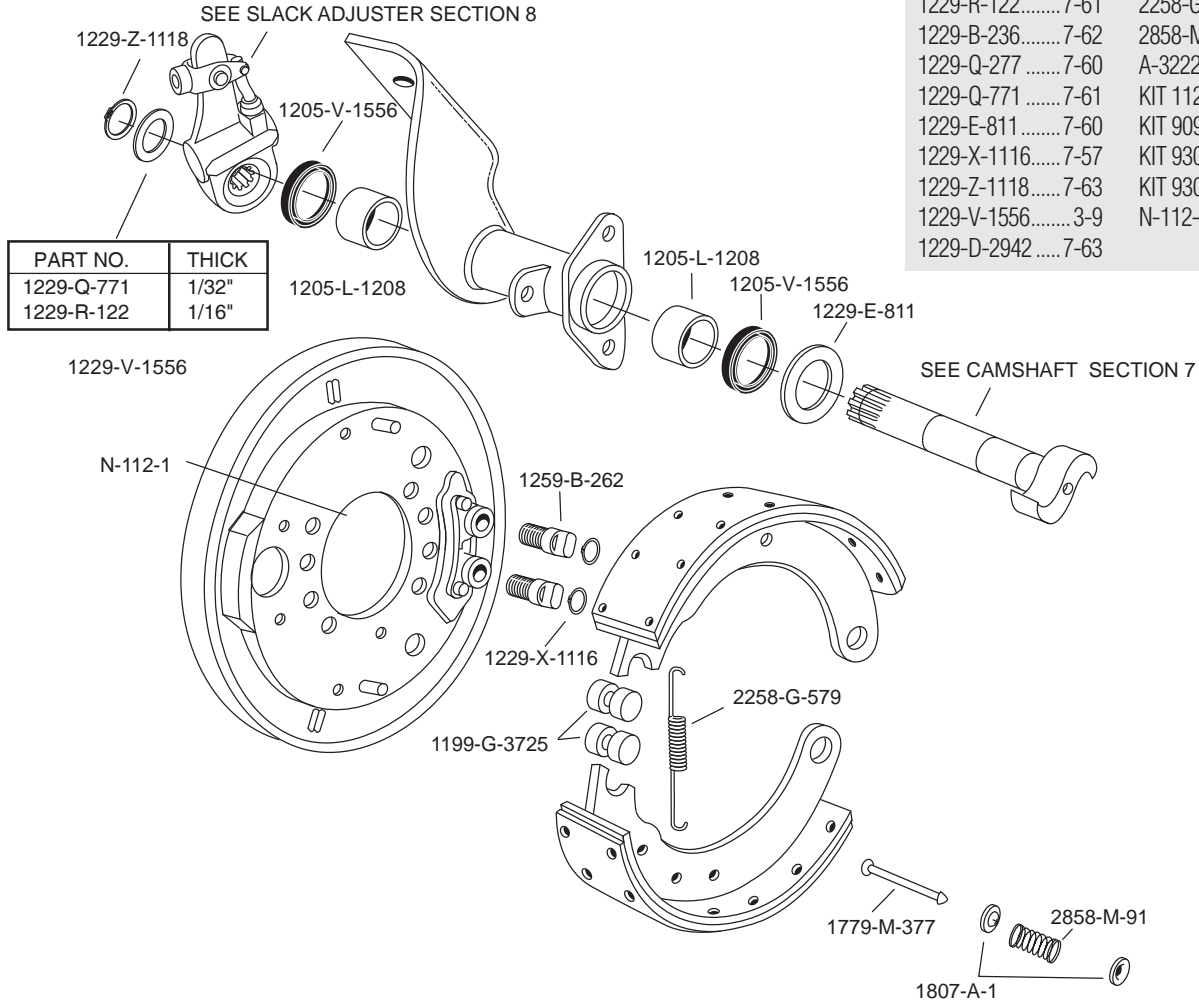
MERITOR "T" SERIES CAM BRAKES FOR 15" x 3-1/2" & 4" TYPE 1 AND TYPE 2 (CANNOT BE UPGRADED TO Q PLUS™)

For Brake Repair Kit use
KIT 9094
(KIT 1125 - less anchor pins)

For Camshaft Repair Kit use
KIT 9304

| UNLINED SHOE | SIZE | FMSI |
|----------------|--------|------|
| A1-3222-K-1103 | 3-1/2" | 1307 |
| A-3222-F-1072 | 4" | 1308 |

| Part | Page |
|---------------|------|
| 1199-G-3725 | 3-1 |
| A-1205-V-1556 | 7-70 |
| A-1205-P-1602 | 7-70 |
| 1225-M-897 | 7-64 |
| 1225-L-1208 | 7-64 |
| 1229-R-122 | 7-61 |
| 1229-B-236 | 7-62 |
| 1229-Q-277 | 7-60 |
| 1229-Q-771 | 7-61 |
| 1229-E-811 | 7-60 |
| 1229-X-1116 | 7-57 |
| 1229-Z-1118 | 7-63 |
| 1229-V-1556 | 3-9 |
| 1229-D-2942 | 7-63 |
| 1229-J-3130 | 7-59 |
| 1229-N-4590 | 7-59 |
| 1259-B-262 | 3-5 |
| 1779-M-377 | 3-15 |
| 1807-A-1 | 3-16 |
| 2258-G-579 | 3-12 |
| 2858-M-91 | 3-15 |
| A-3222-F-1072 | 4-3 |
| KIT 1125 | 2-9 |
| KIT 9094 | 2-10 |
| KIT 9300 | 7-46 |
| KIT 9304 | 7-46 |
| N-112-1 | 3-10 |



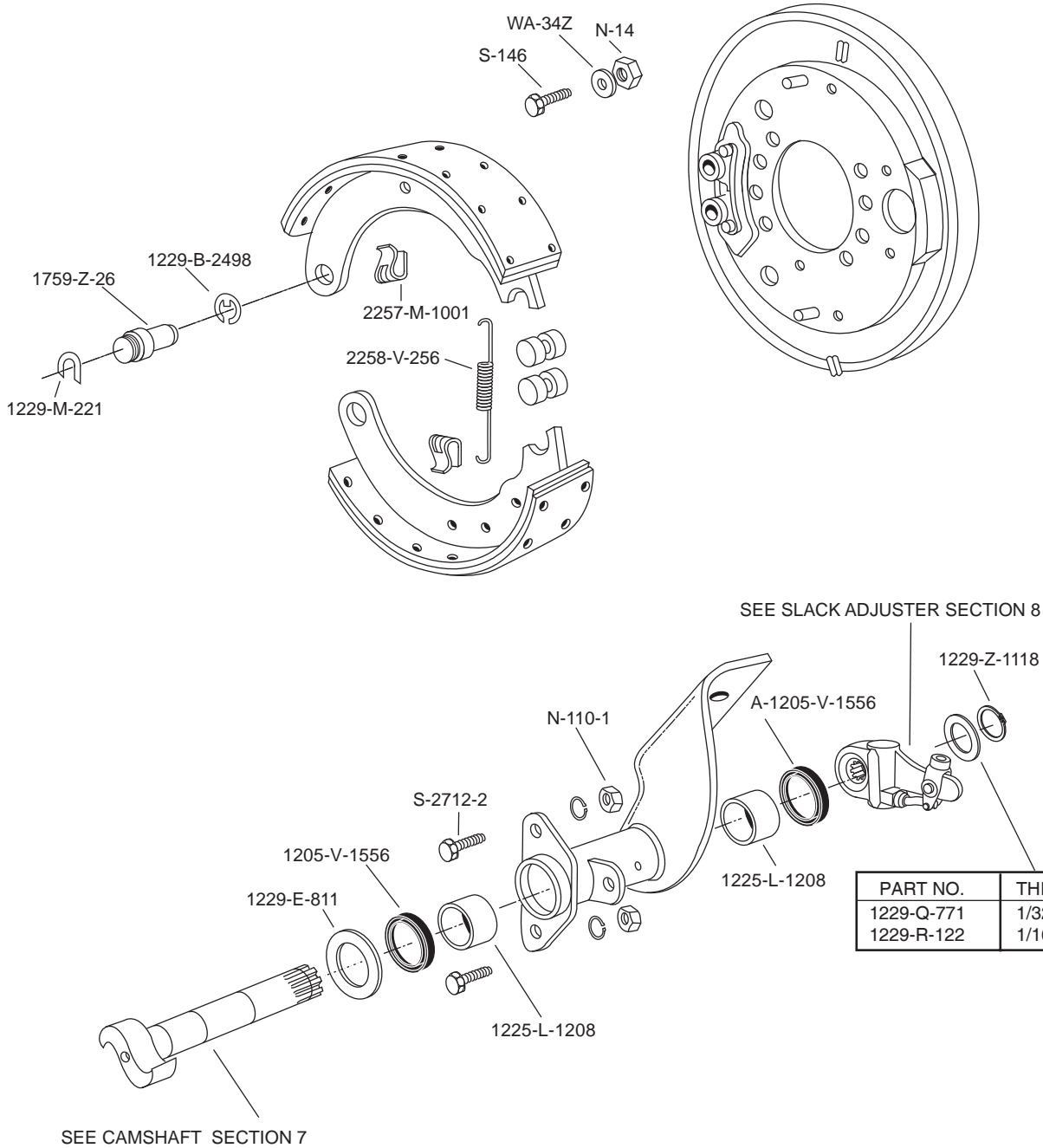
MERITOR "T" SERIES CAM BRAKES

16-1/4" x 3-1/2"

(1-11/16" OFFSET, 1-1/2" - 10 SPLINE CAMSHAFT)

For Camshaft Repair Kit use
KIT 9304

| Part | Page | | |
|------------------|------|-----------------|-------|
| A-1205-V-1556.. | 7-70 | 2257-M-1001 .. | 10-18 |
| 1225-L-1208..... | 7-64 | 2258-V-256..... | 3-12 |
| 1229-R-122..... | 7-61 | KIT 9304..... | 7-46 |
| 1229-M-221..... | 3-8 | N-14..... | 5-2 |
| 1229-Q-771 | 7-61 | N-110-1..... | 5-2 |
| 1229-E-811..... | 7-60 | S-146..... | 5-ii |
| 1229-Z-1118..... | 7-63 | S-2712-2..... | 5-ii |
| 1759-Z-26..... | 3-5 | WA-34Z | 5-1 |



| PART NO. | THICK |
|------------|-------|
| 1229-Q-771 | 1/32" |
| 1229-R-122 | 1/16" |

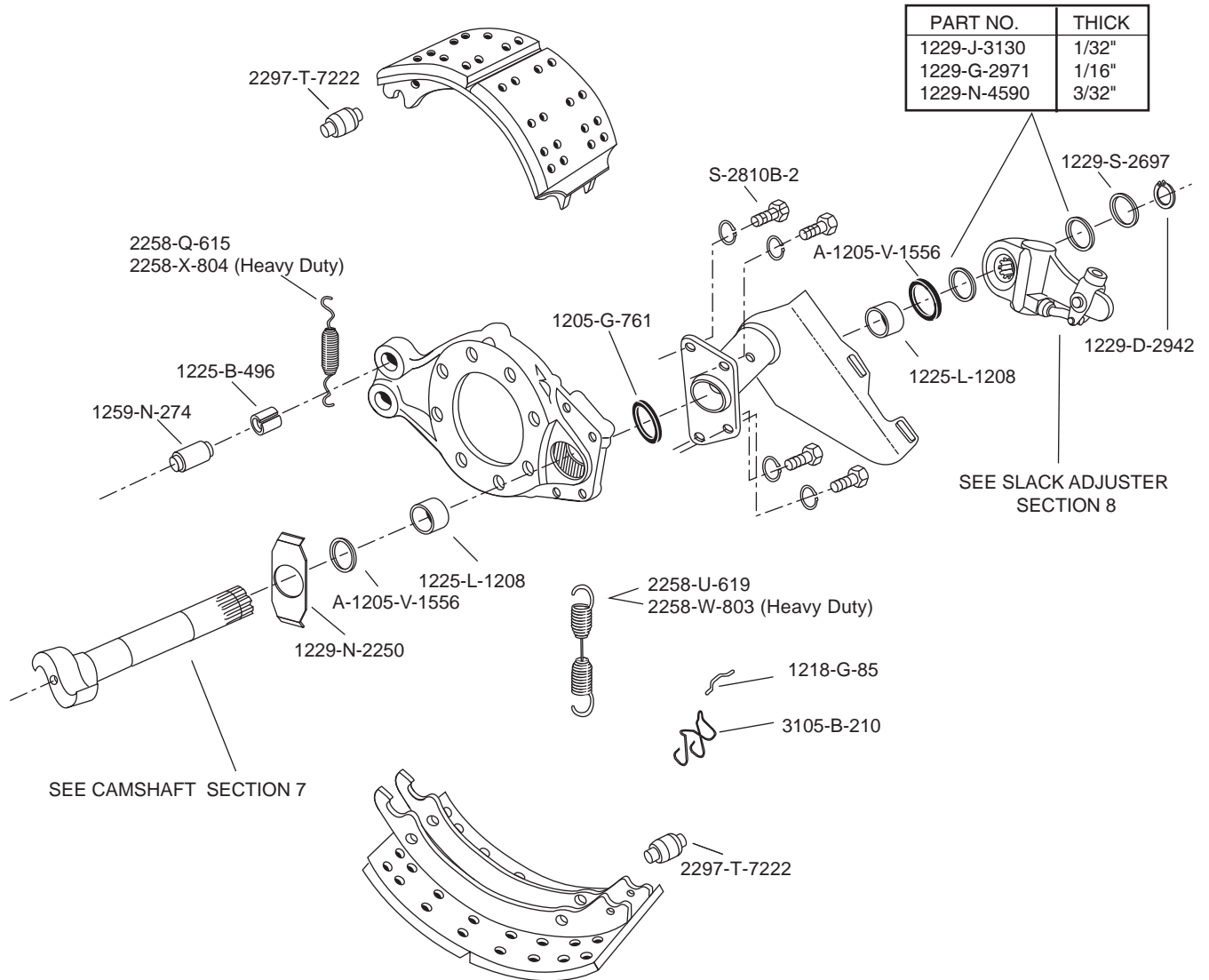
MERITOR "Q" SERIES CAM BRAKES FOR 16-1/2" x 5", 6", 7", 8-5/8" & 10" STEERING AND DRIVE AXLES (7" CAN BE UPGRADED TO Q PLUS™)

For Brake Repair Kit use
**KIT 8000 (Q) or
KIT 8000HD (Q & Q+) (Heavy Duty)**

For Camshaft Repair Kit use
KIT 8042

| UNLINED SHOE | SIZE | FMSI |
|-----------------|--------|-------|
| A-3222-E-1383 | 5" | 4524Q |
| A-3222-J-1440 | 5" | 4524B |
| A-3222-G-1541 | 5" | 4524B |
| A-3222-V-1348 | 6" | 4514G |
| A-3222-C-1381 | 6" | 4514G |
| A91-3222-S-1293 | 7" | 4515G |
| R4515 | 7" | 4515G |
| A-3222-T-1346 | 8-5/8" | 4551B |
| A-3222-D-1356 | 10" | 4552 |

| Part | Page |
|-----------------------|------|
| 1205-G-761 | 7-71 |
| 1218-G-85 | 3-15 |
| 1225-B-496 | 3-7 |
| 1225-L-1208 | 7-64 |
| 1229-D-2942 | 7-63 |
| 1229-G-2971 | 7-59 |
| 1229-J-3130 | 7-59 |
| 1229-N-2250 | 7-60 |
| 1229-N-4590 | 7-59 |
| 1229-S-2697 | 7-61 |
| 1259-N-274 | 3-5 |
| 2258-Q-615 | 3-12 |
| 2258-U-619 | 3-13 |
| 2258-W-803 | 3-13 |
| 2258-X-804 | 2-22 |
| 2297-T-7222 | 3-1 |
| 3105-B-210 | 3-4 |
| A-1205-V-1556 | 7-70 |
| A-3222-C-1381 | 4-7 |
| A-3222-D-1356 | 4-7 |
| A-3222-E-1383 | 4-7 |
| A-3222-G-1541 | 4-7 |
| A-3222-J-1440 | 4-7 |
| A-3222-T-1346 | 4-7 |
| A-3222-V-1348 | 4-7 |
| A91-3222-S-1293 | 4-7 |
| KIT 8000 | 2-20 |
| KIT 8000HD | 2-20 |
| KIT 8042 | 7-47 |
| R4515 | 4-7 |
| S-2810B-2 | 5-ii |



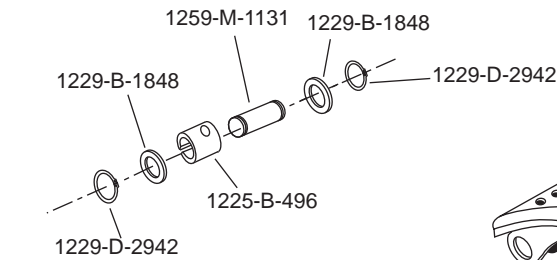
MERITOR "P" SERIES CAM BRAKES FOR 16-1/2" x 4", 5", 6", 7", 8, 8-5/8" & 10" STEERING AND DRIVE AXLES (7" CAN BE UPGRADED TO Q PLUS™)

For Brake Repair Kit use
R509000
R509001 (Heavy Duty)

For Camshaft Repair Kit use
KIT 9078

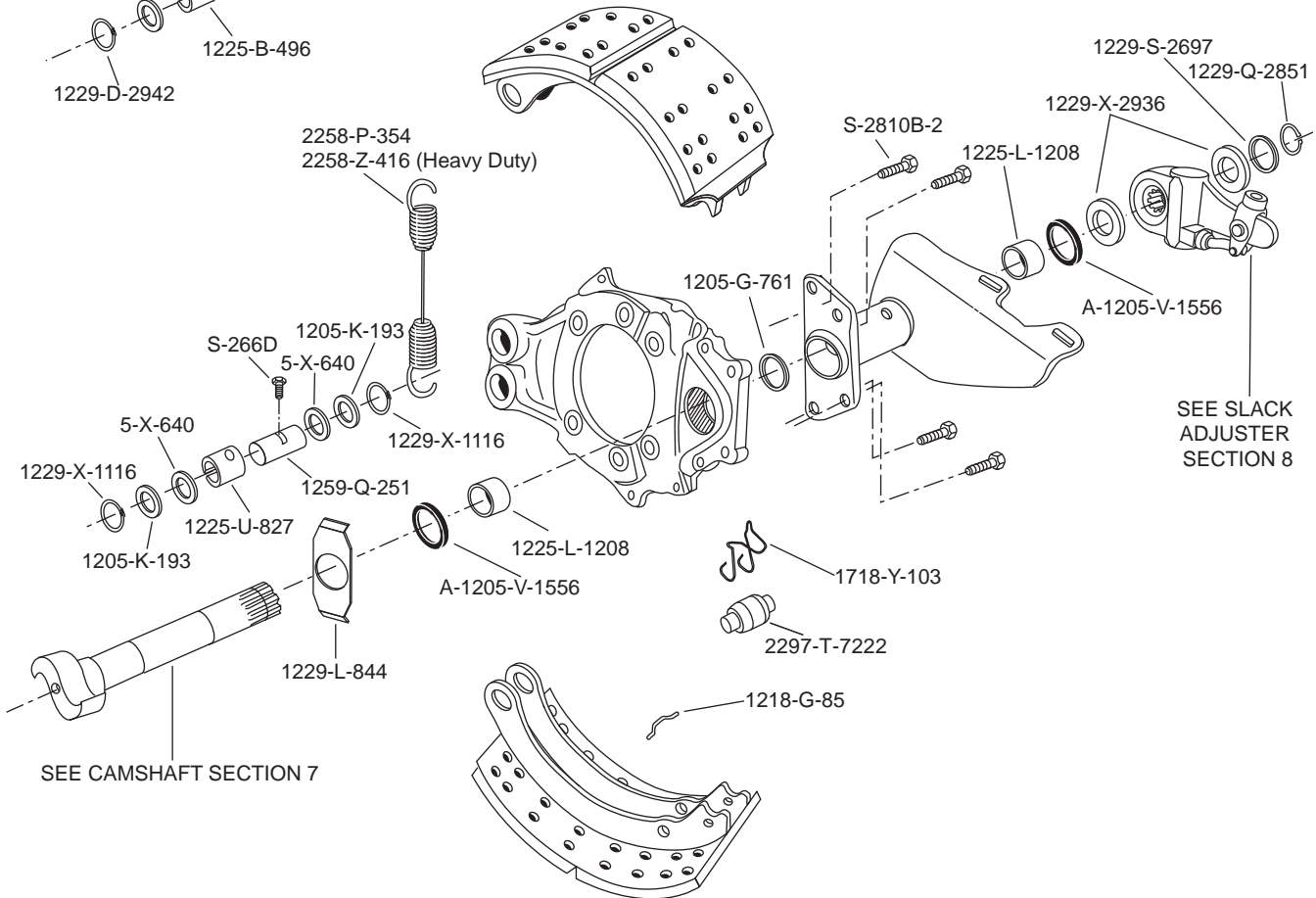
| Part | Page |
|-----------------|------|
| 5-X-640 | 3-8 |
| 1205-K-193 | 7-72 |
| 1205-G-761 | 7-71 |
| A-1205-V-1556 | 7-70 |
| 1218-G-85 | 3-15 |
| 1225-U-827 | 3-7 |
| 1225-L-1208 | 7-64 |
| 1229-L-844 | 7-60 |
| 1229-X-1116 | 7-57 |
| 1229-B-1848 | 7-57 |
| 1229-S-2697 | 7-61 |
| 1229-Q-2851 | 7-63 |
| 1229-X-2936 | 7-60 |
| 1229-D-2942 | 7-63 |
| 1259-Q-251 | 3-5 |
| 1259-M-1131 | 3-5 |
| 1718-Y-103 | 3-4 |
| 2258-P-354 | 3-13 |
| 2258-Z-416 | 3-13 |
| 2297-T-7222 | 3-1 |
| A25-3222-D-1954 | 4-6 |
| A-3722-N-66 | 4-5 |
| A-3722-D-82 | 4-5 |
| KIT 9078 | 7-49 |
| R509000 | 2-19 |
| R509001 | 2-20 |
| S-266D | 5-ii |
| S-2810B-2 | 5-ii |

**NEW STYLE ANCHOR PIN
HARDWARE**



**UNLINED
SHOE**

| | SIZE | FMSI |
|-----------------|------|-------|
| A-3722-D-82 | 5" | 4524B |
| A25-3222-D-1954 | 7" | 4515E |
| A-3722-N-66 | 7" | 4515G |

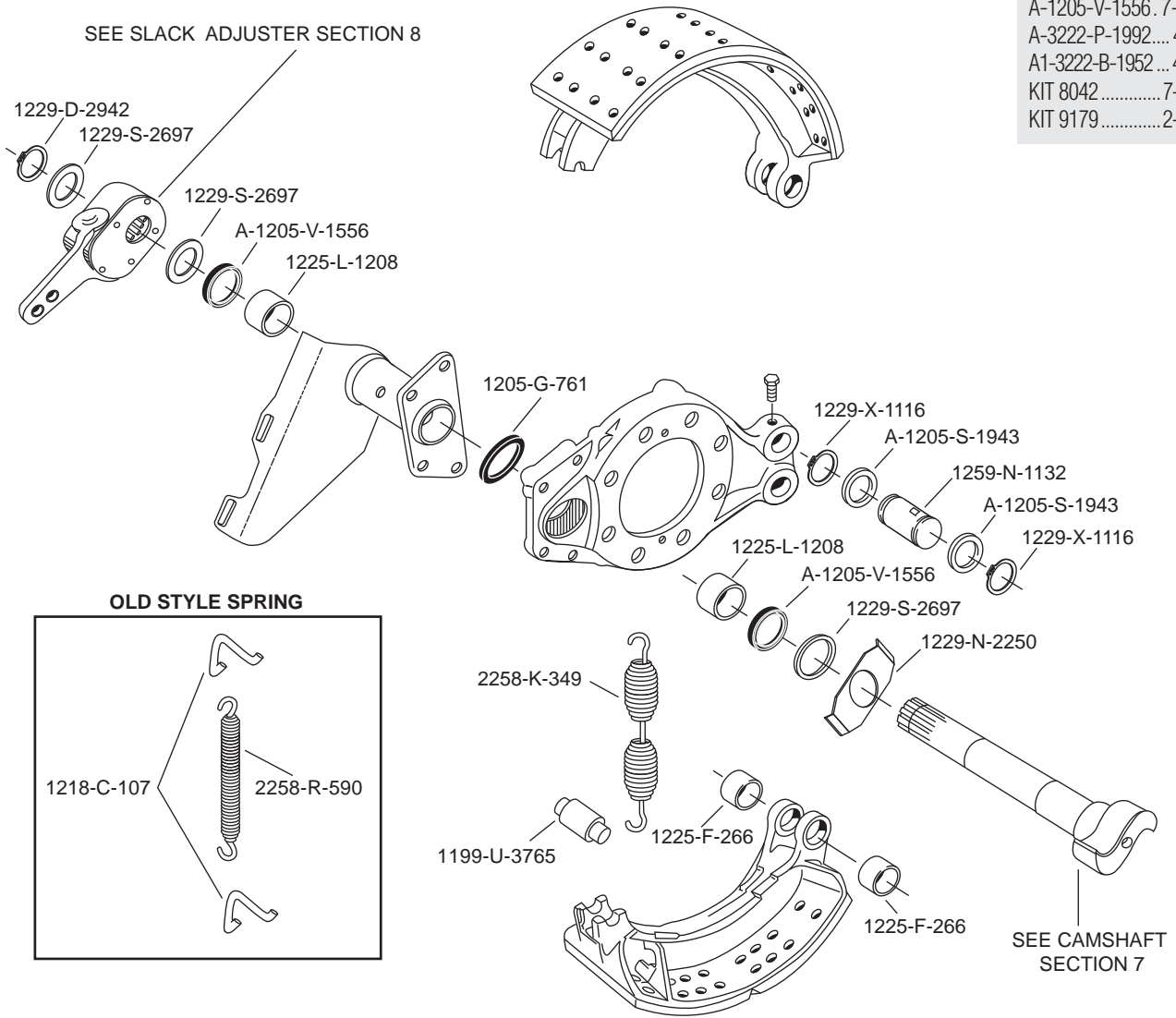


MERITOR "P" SERIES CAST CAM BRAKES FOR 18" x 7" STEERING AND DRIVE AXLES

For Brake Repair Kit use
KIT 9179 (Old Style)

For Camshaft Repair Kit use
KIT 8042

| Part | Page |
|---------------------|------|
| 1199-U-3765 | 3-II |
| 1205-G-761 | 7-71 |
| 1218-C-107 | 3-15 |
| 1225-F-266 | 3-10 |
| 1225-L-1208 ... | 7-64 |
| 1229-D-2942 ... | 7-63 |
| 1229-N-2250 ... | 7-60 |
| 1229-S-2697 ... | 7-61 |
| 1229-X-1116 | 3-9 |
| 1259-N-1132 | 3-6 |
| 2258-K-349 | 3-14 |
| 2258-R-590 | 3-12 |
| A-1205-S-1943 | 7-70 |
| A-1205-V-1556 | 7-70 |
| A-3222-P-1992 | 4-8 |
| A1-3222-B-1952 ... | 4-8 |
| KIT 8042 | 7-47 |
| KIT 9179 | 2-25 |



| UNLINED SHOE | SIZE | FMSI |
|----------------|------|-------|
| A1-3222-B-1952 | 7" | 4471B |
| A-3222-B-1952 | 7" | 4471B |

MERITOR RL, RN & RQ

16-1/2" x 7", 8-5/8" & 10" "P" OR "Q" BRAKES

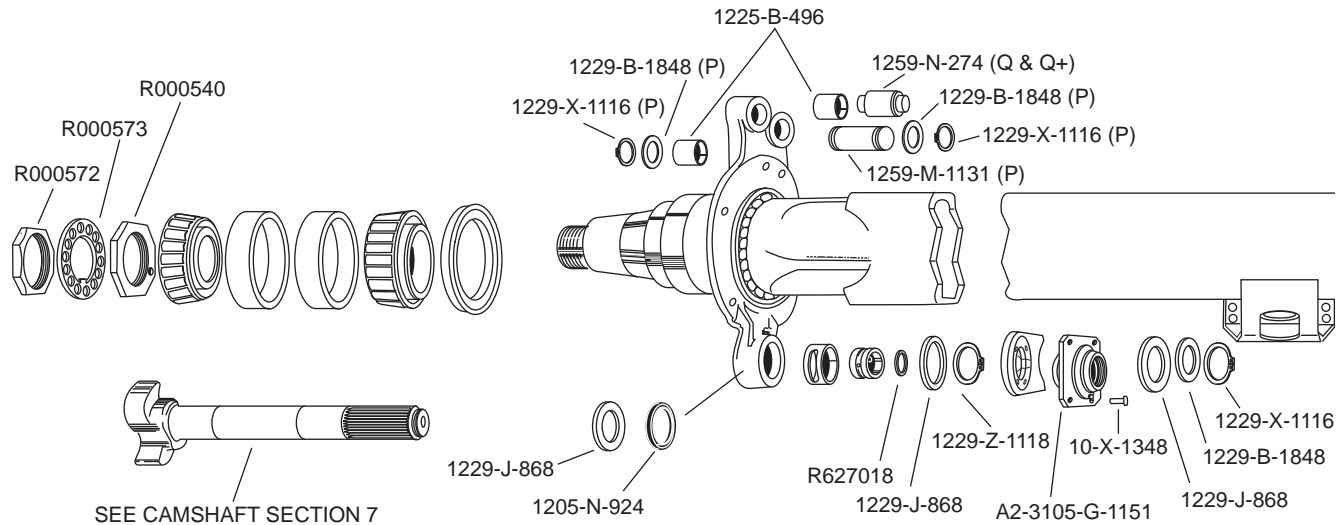
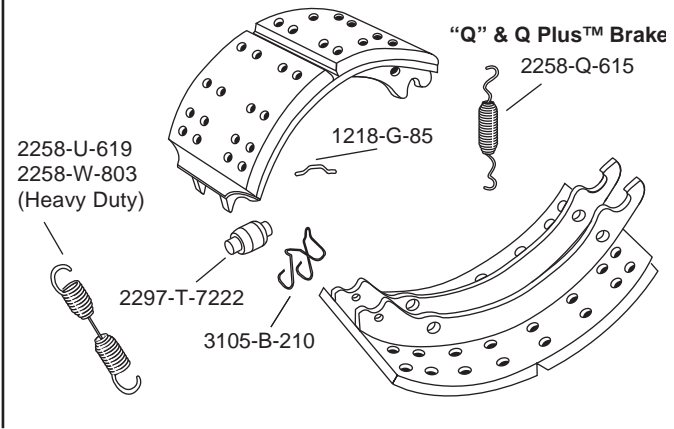
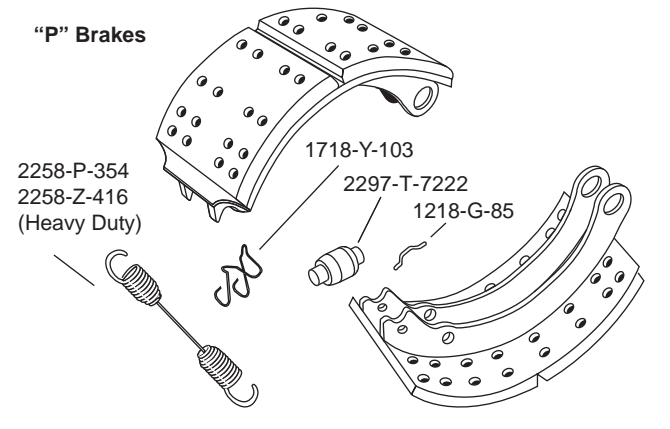
PRE-121 (7" CAN BE UPGRADED TO Q PLUS™)

| UNLINED SHOE | SIZE | FMSI |
|--------------------|--------|-------|
| "P" SHOES - | | |
| A-3722-N-66 | 7" | 4515G |
| "Q" SHOES - | | |
| A91-3222-S-1293 | 7" | 4515G |
| A-3222-T-1346 | 8-5/8" | 4551B |
| A-3222-D-1356 | 10" | 4552 |
| Q PLUS™ - | | |
| A19-3222-D-2006 | 7" | 4707D |

| Part | Page |
|----------------------|-------|
| 10-X-1348..... | 5-ii |
| 1205-N-924..... | 7-70 |
| 1218-G-85..... | 3-15 |
| 1225-B-496..... | 3-7 |
| 1229-B-1848..... | 7-57 |
| 1229-J-868..... | 7-60 |
| 1229-X-1116..... | 7-57 |
| 1229-Z-1118..... | 7-63 |
| 1259-M-1131..... | 3-5 |
| 1259-N-274..... | 3-5 |
| 1718-Y-103..... | 3-4 |
| 2258-P-354..... | 3-13 |
| 2258-Q-615..... | 3-12 |
| 2258-U-619..... | 3-13 |
| 2258-W-803..... | 3-13 |
| 2258-Z-416..... | 3-13 |
| 2297-T-7222..... | 3-1 |
| 3105-B-210..... | 3-4 |
| A-3222-T-1346..... | 4-7 |
| A-3222-D-1356..... | 4-7 |
| A-3722-N-66..... | 4-5 |
| A2-3105-G-1151..... | 7-68 |
| A19-3222-D-2006..... | 4-8 |
| A91-3222-S-1293..... | 4-7 |
| KIT 8000..... | 2-20 |
| KIT 8000HD..... | 2-24 |
| R000540..... | 11-39 |
| R000572..... | 11-39 |
| R000573..... | 11-45 |
| R509000..... | 2-19 |
| R509001..... | 2-20 |
| R627018..... | 7-70 |

For "P" Brake Repair Kit use
R509000 or
R509001 (Heavy Duty)

For "Q" or Q Plus™ Brake Repair Kit use
KIT 8000 (Q) or
KIT 8000HD (Q & Q+) (Heavy Duty)



MERITOR TK, TKL, TKN, TL, TN, TP, TQ & TR

16-1/2" x 7", 8-5/8" & 10" "P" OR "Q" BRAKES

PRE-121 ("500" SERIES) POST-121 ("5000" SERIES)

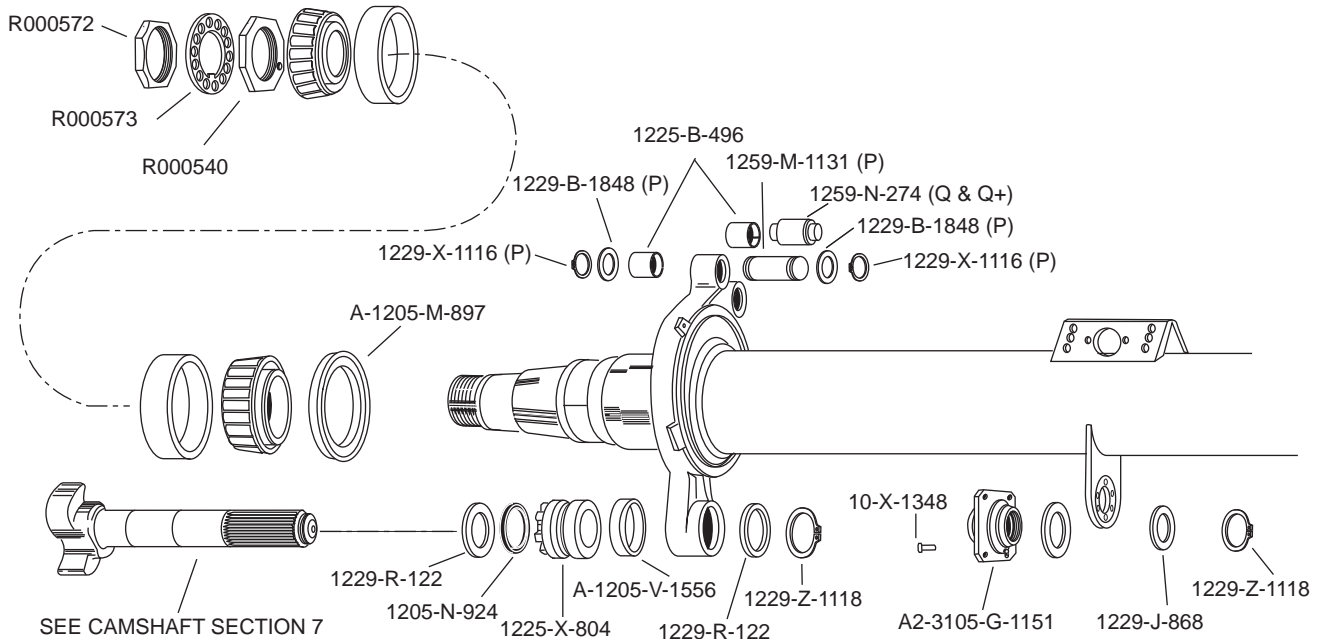
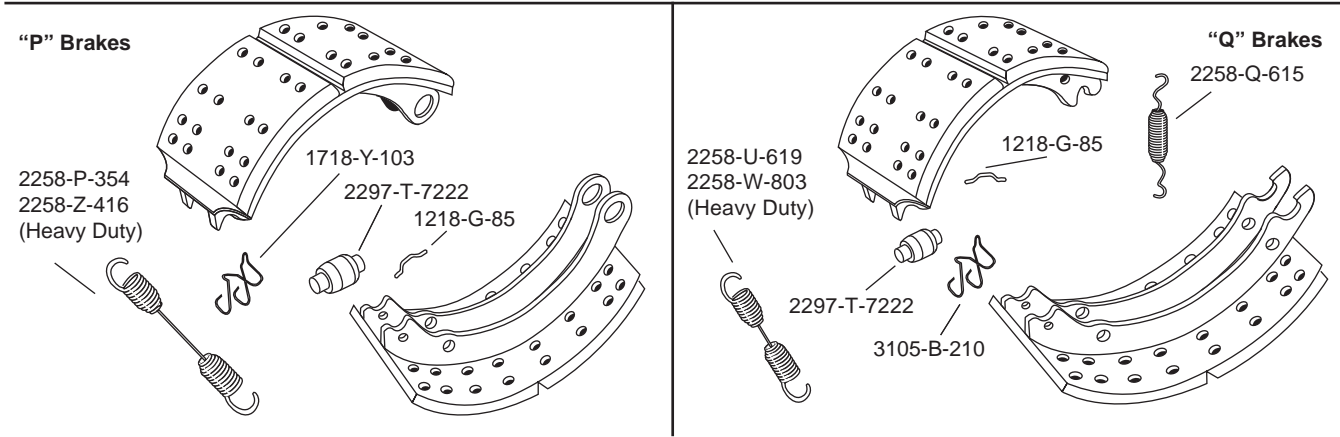
| UNLINED SHOE | SIZE | FMSI |
|--------------------|--------|-------|
| "P" SHOES - | | |
| A-3722-N-66 | 7" | 4515G |
| A1-3222-R-1916 | 7" | 4515E |
| A-3222-L-1572 | 8-5/8" | 4551 |
| A-3222-R-1422 | 10" | 4552 |
| "Q" SHOES - | | |
| A91-3222-S-1293 | 7" | 4515G |
| A-3222-T-1346 | 8-5/8" | 4551B |
| A-3222-M-1937 | 8-5/8" | 4551C |
| A-3222-D-1356 | 10" | 4552 |

| Part | Page |
|-----------------|-------|
| 10-X-1348 | 5-ii |
| 1205-N-924 | 7-70 |
| 1218-G-85 | 3-15 |
| 1225-B-496 | 3-7 |
| 1225-X-804 | 7-65 |
| 1229-R-122 | 7-61 |
| 1229-J-868 | 7-60 |
| 1229-X-1116 | 7-57 |
| 1229-Z-1118 | 7-63 |
| 1259-M-1131 | 3-5 |
| 1259-N-274 | 3-5 |
| 1718-Y-103 | 3-4 |
| 2258-P-354 | 3-13 |
| 2258-Q-615 | 3-12 |
| 2258-U-619 | 3-13 |
| 2258-W-803 | 3-13 |
| 2258-Z-416 | 3-13 |
| 2297-T-7222 | 3-1 |
| 3105-B-210 | 3-4 |
| A-3222-T-1346 | 4-7 |
| A-3222-D-1356 | 4-7 |
| A-3722-N-66 | 4-5 |
| A2-3105-G-1151 | 7-68 |
| A91-3222-S-1293 | 4-7 |
| KIT 8000 | 2-20 |
| KIT 8000HD | 2-24 |
| KIT 9034 | 7-52 |
| R000540 | 11-39 |
| R000572 | 11-39 |
| R000573 | 11-45 |
| R509000 | 2-19 |
| R509001 | 2-20 |

For "P" Brake Repair Kit use
**R509000 or
R509001 (Heavy Duty)**

For "Q" Brake Repair Kit use
**KIT 8000 (Q) or
KIT 8000HD (Heavy Duty)**

For Camshaft Repair Kit use
KIT 9035



MERITOR TK, TKL, TKN, TL ("4000" & "6000" SERIES)

16-1/2" x 7", 8-5/8" & 10" "P" OR "Q" BRAKES

POST-121 MODELS 4000-6000 (7" CAN BE UPGRADED TO Q PLUS™)

CAST SPIDER

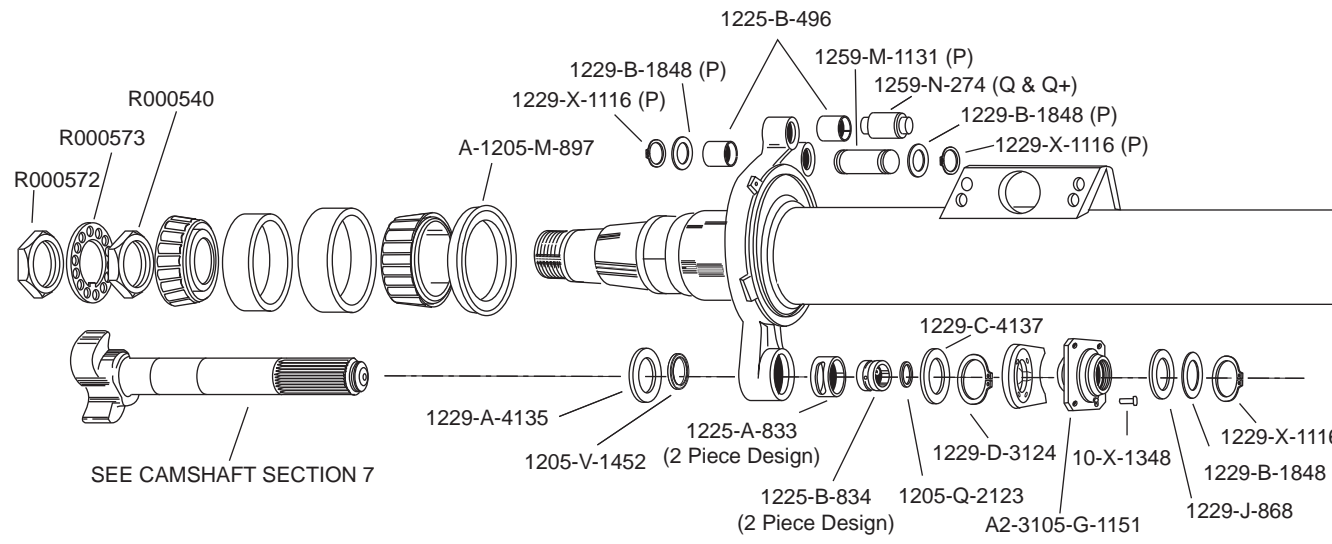
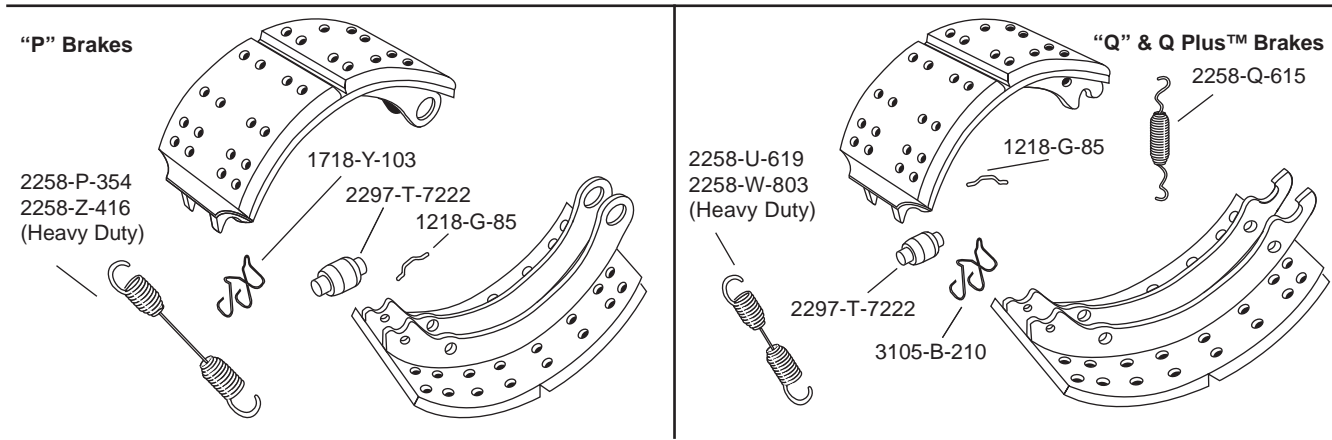
| UNLINED SHOE | SIZE | FMSI |
|------------------------|--------|-------|
| "P" SHOES - | | |
| A-3722-N-66 | 7" | 4515G |
| "Q" SHOES - | | |
| A91-3222-S-1293 | 7" | 4515G |
| A-3222-T-1346 | 8-5/8" | 4551B |
| A-3222-D-1356 | 10" | 4552 |
| Q PLUS™ SHOES - | | |
| A19-3222-D-2006 | 7" | 4707D |

| Part | Page |
|-----------------|-------|
| 10-X-1348 | 5-ii |
| 1205-Q-2123 | 7-71 |
| 1205-V-1452 | 7-71 |
| 1218-G-85 | 3-15 |
| 1225-A-833 | 7-66 |
| 1225-B-496 | 3-7 |
| 1225-B-834 | 7-66 |
| 1225-N-1158 | 7-66 |
| 1229-A-4135 | 7-62 |
| 1229-B-1848 | 7-57 |
| 1229-C-4137 | 7-62 |
| 1229-D-3124 | 7-63 |
| 1229-J-868 | 7-60 |
| 1229-X-1116 | 7-57 |
| 1259-M-1131 | 3-5 |
| 1259-N-274 | 3-5 |
| 1718-Y-103 | 3-4 |
| 2258-P-354 | 3-13 |
| 2258-Q-615 | 3-12 |
| 2258-U-619 | 3-13 |
| 2258-W-803 | 3-13 |
| 2258-Z-416 | 3-13 |
| 2297-T-7222 | 3-1 |
| 3105-B-210 | 3-4 |
| A-3222-T-1346 | 4-7 |
| A-3222-D-1356 | 4-7 |
| A-3722-N-66 | 4-5 |
| A2-3105-G-1151 | 7-68 |
| A19-3222-D-2006 | 4-8 |
| A91-3222-S-1293 | 4-8 |
| KIT 8000 | 2-20 |
| KIT 8000HD | 2-24 |
| KIT 8048 | 7-43 |
| R000540 | 11-39 |
| R000572 | 11-39 |
| R000573 | 11-45 |
| R509000 | 2-19 |
| R509001 | 2-20 |

For "P" Brake Repair Kit use
**R509000 or
R509001 (Heavy Duty)**

For "Q" or Q Plus™ Brake Repair Kit use
**KIT 8000 (Q) or KIT 8000HD
(Q & Q Plus™) (Heavy Duty)**

For Camshaft Repair Kit use
KIT 8046



MERITOR TK, TKL, TKN, TL ("4000" & "6000" SERIES)

16-1/2" x 7", 8-5/8" & 10" "P" OR "Q" BRAKES

POST-121 MODELS 4000-6000 (7" CAN BE UPGRADED TO Q PLUS™)

FABRICATED SPIDER — WELD-ON RETAINER

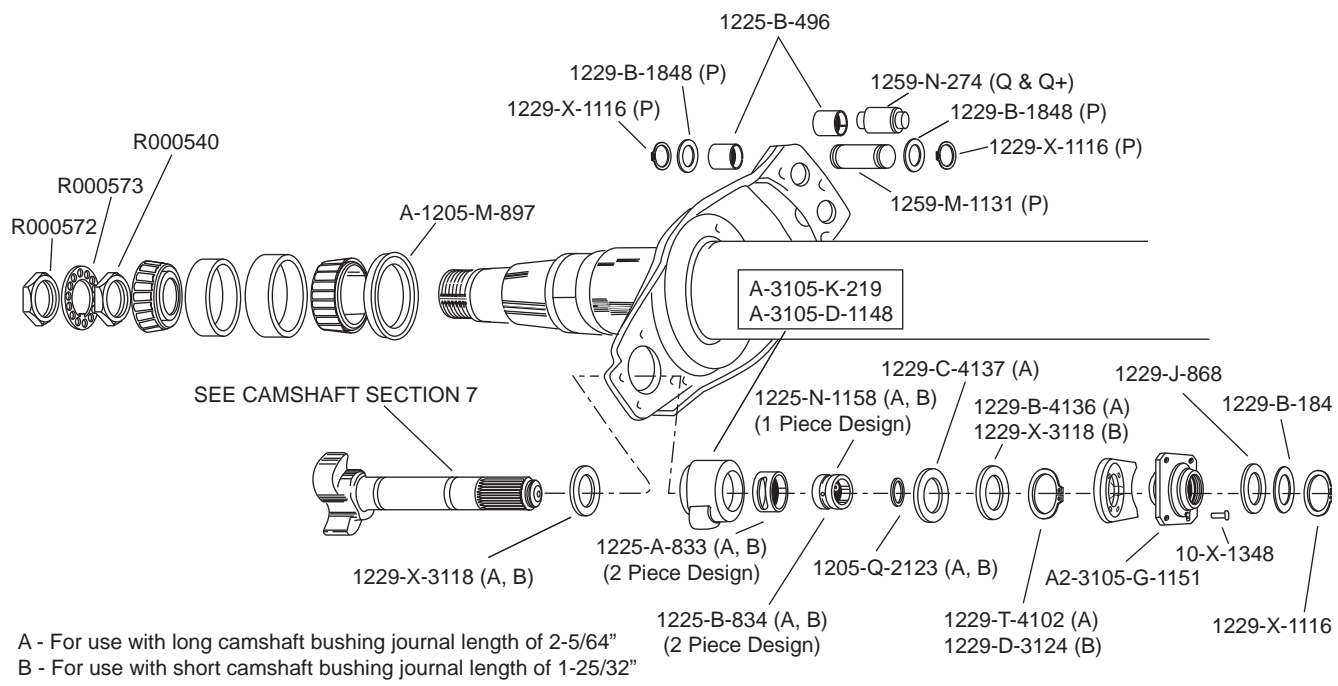
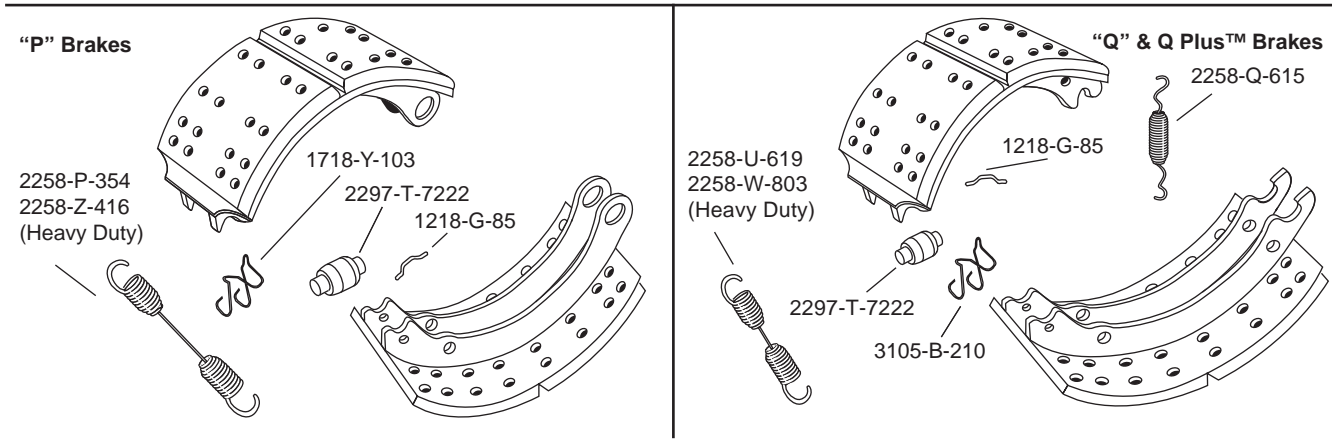
| UNLINED SHOE | SIZE | FMSI |
|------------------------|--------|-------|
| "P" SHOES - | | |
| A-3722-N-66 | 7" | 4515G |
| "Q" SHOES - | | |
| A91-3222-S-1293 | 7" | 4515G |
| A-3222-T-1346 | 8-5/8" | 4551B |
| A-3222-D-1356 | 10" | 4552 |
| Q PLUS™ SHOES - | | |
| A19-3222-D-2006 | 7" | 4707D |

| Part | Page |
|----------------------|-------|
| 10-X-1348..... | 5-ii |
| 1205-Q-2123..... | 7-71 |
| 1218-G-85..... | 3-15 |
| 1225-A-833..... | 7-66 |
| 1225-B-496..... | 3-7 |
| 1225-B-834..... | 7-66 |
| 1225-N-1158..... | 7-66 |
| 1229-B-1848..... | 7-57 |
| 1229-B-4136..... | 7-61 |
| 1229-C-4137..... | 7-62 |
| 1229-D-3124..... | 7-63 |
| 1229-J-868..... | 7-60 |
| 1229-T-4102..... | 7-63 |
| 1229-X-1116..... | 7-57 |
| 1229-X-3118..... | 7-62 |
| 1259-M-1131..... | 3-5 |
| 1259-N-274..... | 3-5 |
| 1718-Y-103..... | 3-4 |
| 2258-P-354..... | 3-13 |
| 2258-Q-615..... | 3-12 |
| 2258-U-619..... | 3-13 |
| 2258-W-803..... | 3-13 |
| 2258-Z-416..... | 3-13 |
| 2297-T-7222..... | 3-1 |
| 3105-B-210..... | 3-4 |
| A-3105-D-1148..... | 7-68 |
| A-3105-K-219..... | 7-68 |
| A2-3105-G-1151..... | 7-68 |
| A-3222-T-1346..... | 4-7 |
| A-3222-D-1356..... | 4-7 |
| A-3722-N-66..... | 4-5 |
| A19-3222-D-2006..... | 4-8 |
| A91-3222-S-1293..... | 4-8 |
| KIT 8000..... | 2-20 |
| KIT 8000HD..... | 2-24 |
| KIT 8062..... | 7-50 |
| KIT 8069..... | 7-53 |
| R000540..... | 11-39 |
| R000572..... | 11-39 |
| R000573..... | 11-45 |
| R509000..... | 2-19 |
| R509001..... | 2-20 |

For "P" Brake Repair Kit use
R509000 or
R509001 (Heavy Duty)

For "Q" or Q Plus™ Brake Repair Kit use
KIT 8000 (Q) or KIT 8000HD
(Q & Q Plus™) (Heavy Duty)

For Camshaft Repair Kit use
KIT 8062 - 219 Retainer
KIT 8069 - 1148 Retainer



MERITOR TK, TKL, TKN, TL ("4000" & "6000" SERIES)

16-1/2" x 7", 8-5/8" & 10" "P" OR "Q" BRAKES

POST-121 MODELS 4000-6000 - (7" CAN BE UPGRADED TO Q PLUS™)

FABRICATED SPIDER — BOLT-ON RETAINER

| UNLINED SHOE | SIZE | FMSI |
|------------------------|--------|-------|
| "P" SHOES - | | |
| A-3722-N-66 | 7" | 4515G |
| "Q" SHOES - | | |
| A91-3222-S-1293 | 7" | 4515G |
| R4551Q | 8-5/8" | 4551B |
| A-3222-D-1356 | 10" | 4552 |
| Q PLUS™ SHOES - | | |
| A19-3222-D-2006 | 7" | 4707D |

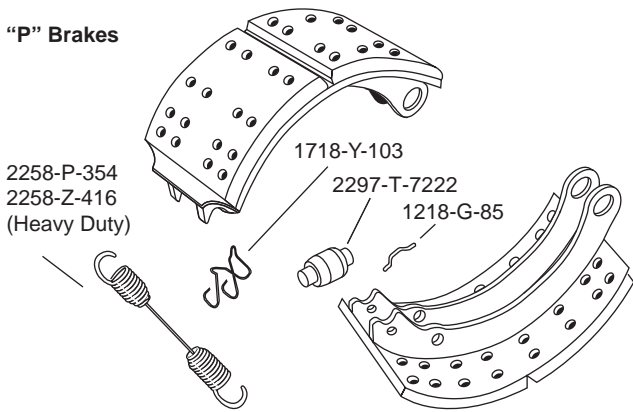
| Part | Page |
|-----------------|-------|
| 10-X-1348 | 5-ii |
| 10-X-1421 | 5-ii |
| 1205-Q-2123 | 7-71 |
| 1218-G-85 | 3-15 |
| 1225-B-496 | 3-7 |
| 1229-B-1848 | 7-57 |
| 1229-J-868 | 7-60 |
| 1229-R-4100 | 7-62 |
| 1229-S-4101 | 7-62 |
| 1229-T-4102 | 7-63 |
| 1229-X-1116 | 7-57 |
| 1259-M-1131 | 3-5 |
| 1259-N-274 | 3-5 |
| 1718-Y-103 | 3-4 |
| 2258-P-354 | 3-13 |
| 2258-Q-615 | 3-12 |
| 2258-U-619 | 3-13 |
| 2258-W-803 | 3-13 |
| 2258-Z-416 | 3-13 |
| 2297-T-7222 | 3-1 |
| 3105-B-210 | 3-4 |
| A-3105-L-1078 | 7-69 |
| A-3222-D-1356 | 4-7 |
| A-3722-N-66 | 4-5 |
| A2-3105-G-1151 | 7-68 |
| A19-3222-D-2006 | 4-8 |
| A91-3222-S-1293 | 4-8 |
| KIT 8000 | 2-20 |
| KIT 8000HD | 2-24 |
| KIT 8078 | 7-53 |
| KIT 8289 | 7-54 |
| R000540 | 11-39 |
| R000572 | 11-39 |
| R000573 | 11-45 |
| R509000 | 2-19 |
| R509001 | 2-20 |

For "P" Brake Repair Kit use
R509000 or
R509001 (Heavy Duty)

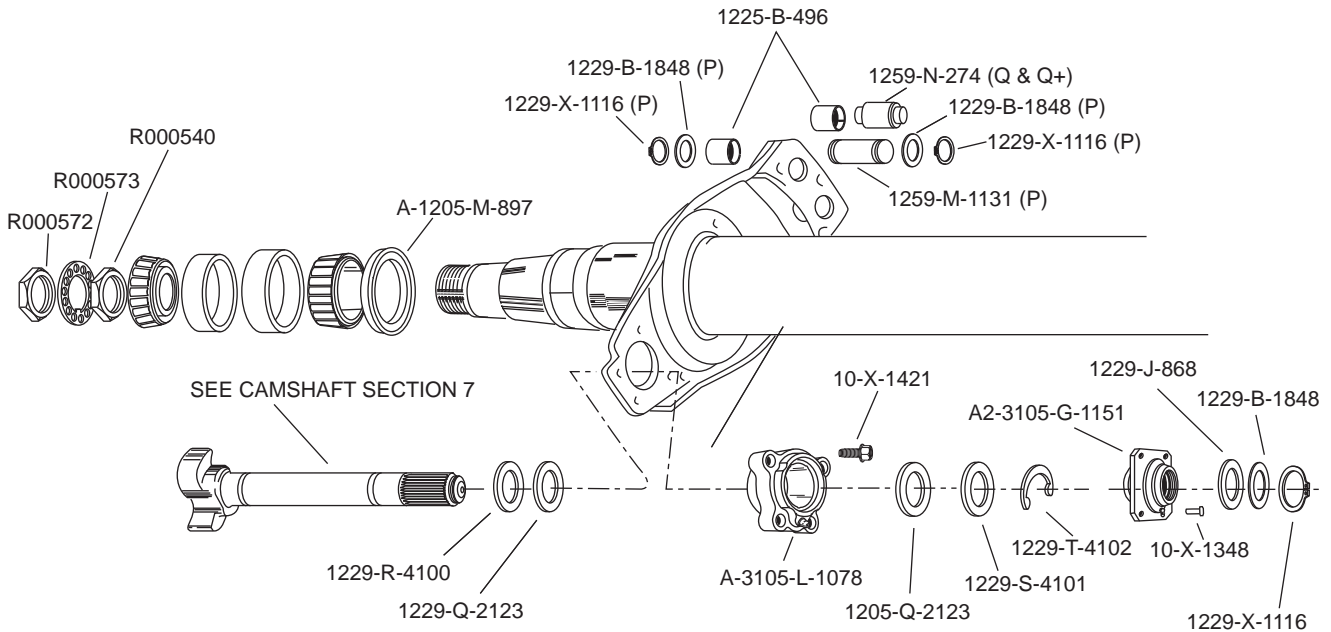
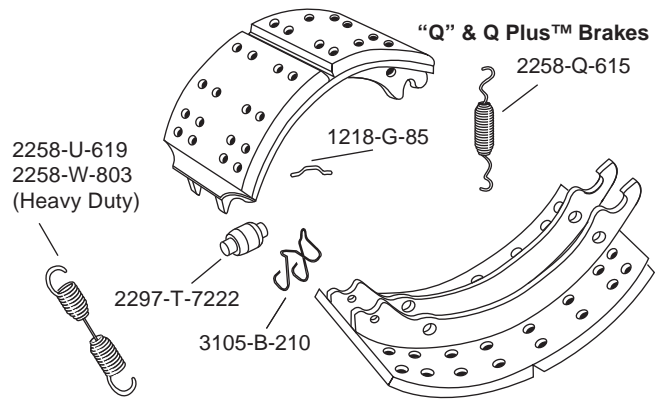
For "Q" or Q Plus™ Brake Repair Kit use
KIT 8000 (Q) or KIT 8000HD
(Q & Q Plus™) (Heavy Duty)

For Camshaft Repair Kit use
KIT 8078 or
KIT 8289

"P" Brakes



"Q" & Q Plus™ Brakes



MERITOR TKD, TKLD, TLD DROP CENTER AXLES

16-1/2" x 7", 8-5/8" & 10" "P" OR "Q" BRAKES

PRE-121 MODELS BEAM MOUNTED

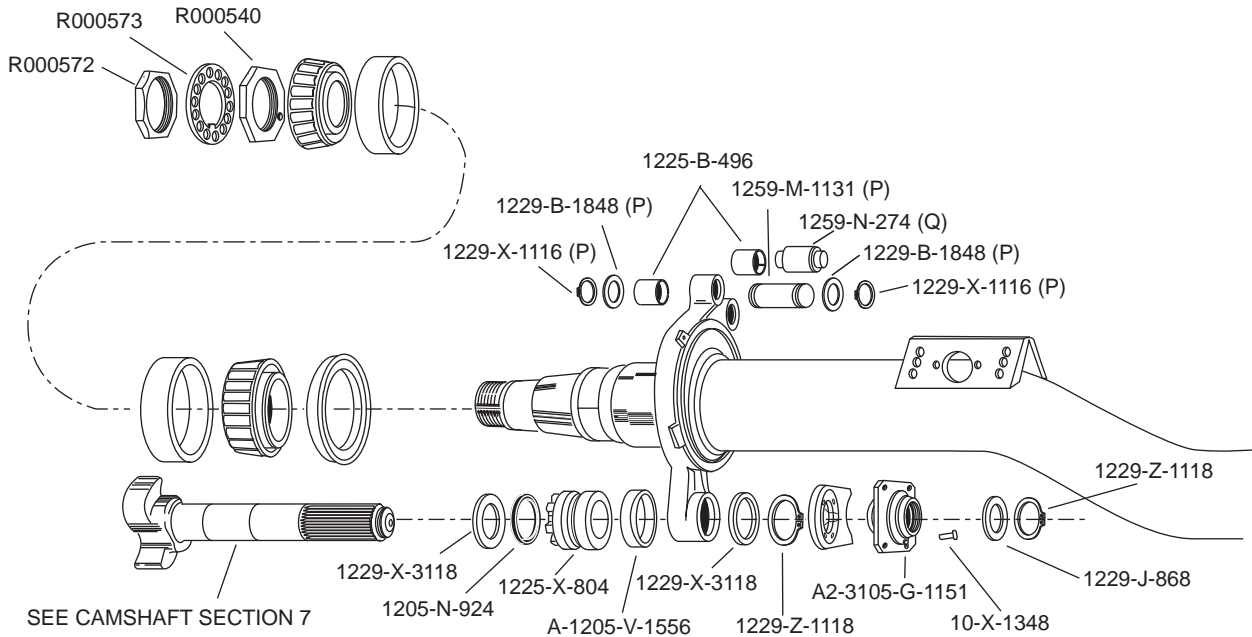
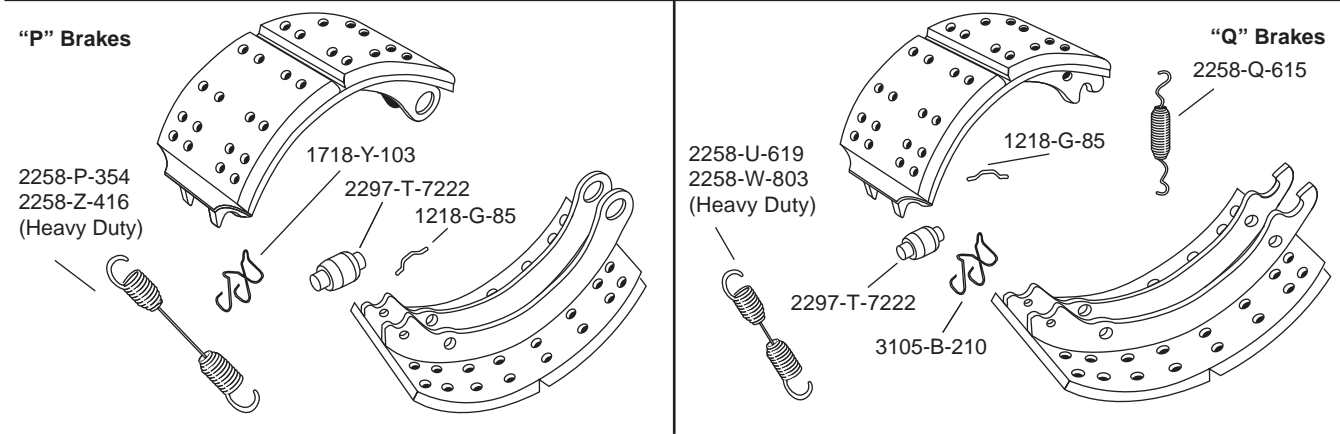
| UNLINED SHOE | SIZE | FMSI |
|--------------------|--------|-------|
| "P" SHOES - | | |
| A-3722-N-66 | 7" | 4515G |
| "Q" SHOES - | | |
| A91-3222-S-1293 | 7" | 4515G |
| R4551Q | 8-5/8" | 4551B |
| A-3222-D-1356 | 10" | 4552 |

| Part | Page |
|-----------------|-------|
| 10-X-1348 | 5-ii |
| 1205-Q-2123 | 7-71 |
| 1218-G-85 | 3-15 |
| 1225-B-496 | 3-7 |
| 1225-X-804 | 7-65 |
| 1229-B-1848 | 7-57 |
| 1229-J-868 | 7-60 |
| 1229-R-4100 | 7-62 |
| 1229-X-1116 | 7-57 |
| 1229-X-3118 | 7-62 |
| 1229-Z-1118 | 7-63 |
| 1259-M-1131 | 3-5 |
| 1259-N-274 | 3-5 |
| 1718-Y-103 | 3-4 |
| 2258-P-354 | 3-13 |
| 2258-Q-615 | 3-12 |
| 2258-U-619 | 3-13 |
| 2258-W-803 | 3-13 |
| 2258-Z-416 | 3-13 |
| 2297-T-7222 | 3-1 |
| 3105-B-210 | 3-4 |
| A-1205-V-1556 | 7-70 |
| A-3105-L-1078 | 7-79 |
| A-3222-D-1356 | 4-7 |
| A-3722-N-66 | 4-5 |
| A2-3105-G-1151 | 7-68 |
| A91-3222-S-1293 | 4-8 |
| KIT 8000 | 2-20 |
| KIT 8000HD | 2-24 |
| KIT 9035 | 7-52 |
| R000540 | 11-39 |
| R000572 | 11-39 |
| R000573 | 11-45 |
| R4551Q | 4-7 |
| R509000 | 2-19 |
| R509001 | 2-20 |

For "P" Brake Repair Kit use
R509000 or R509001 (Heavy Duty)

For "Q" Brake Repair Kit use
KIT 8000 (Q) or KIT 8000HD (Heavy Duty)

For Camshaft Repair Kit use
KIT 9035



MERITOR TKD, TKLD, TLD DROP CENTER AXLES

16-1/2" x 7", 8-5/8" & 10" "P" OR "Q" BRAKES

POST-121 MODELS BEAM MOUNTED

| UNLINED SHOE | SIZE | FMSI |
|--------------------|--------|-------|
| "P" SHOES - | | |
| A-3722-N-66 | 7" | 4515G |
| "Q" SHOES - | | |
| A91-3222-S-1293 | 7" | 4515G |
| R4551Q | 8-5/8" | 4551B |
| A-3222-D-1356 | 10" | 4552 |

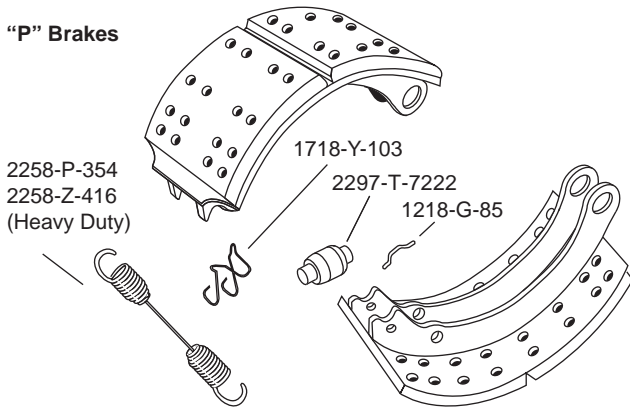
| Part | Page |
|-----------------|-------|
| 10-X-1348 | 5-ii |
| 1205-V-1452 | 7-71 |
| 1205-Q-2123 | 7-71 |
| 1218-G-85 | 3-15 |
| 1225-A-833 | 7-66 |
| 1225-B-496 | 3-7 |
| 1225-B-834 | 7-66 |
| 1225-N-1158 | 7-66 |
| 1229-B-1848 | 7-57 |
| 1229-D-3124 | 7-63 |
| 1229-J-868 | 7-60 |
| 1229-X-1116 | 7-57 |
| 1229-X-3118 | 7-62 |
| 1259-M-1131 | 3-5 |
| 1259-N-274 | 3-5 |
| 1718-Y-103 | 3-4 |
| 2258-P-354 | 3-13 |
| 2258-Q-615 | 3-12 |
| 2258-U-619 | 3-13 |
| 2258-W-803 | 3-13 |
| 2258-Z-416 | 3-13 |
| 2297-T-7222 | 3-1 |
| 3105-B-210 | 3-4 |
| A-3222-D-1356 | 4-7 |
| A-3722-N-66 | 4-5 |
| A91-3222-S-1293 | 4-8 |
| KIT 8000 | 2-20 |
| KIT 8000HD | 2-24 |
| KIT 8048 | 7-43 |
| R000540 | 11-39 |
| R000572 | 11-39 |
| R000573 | 11-45 |
| R4551Q | 4-7 |
| R509000 | 2-19 |
| R509001 | 2-20 |

For "P" Brake Repair Kit use
**R509000 or
R509001 (Heavy Duty)**

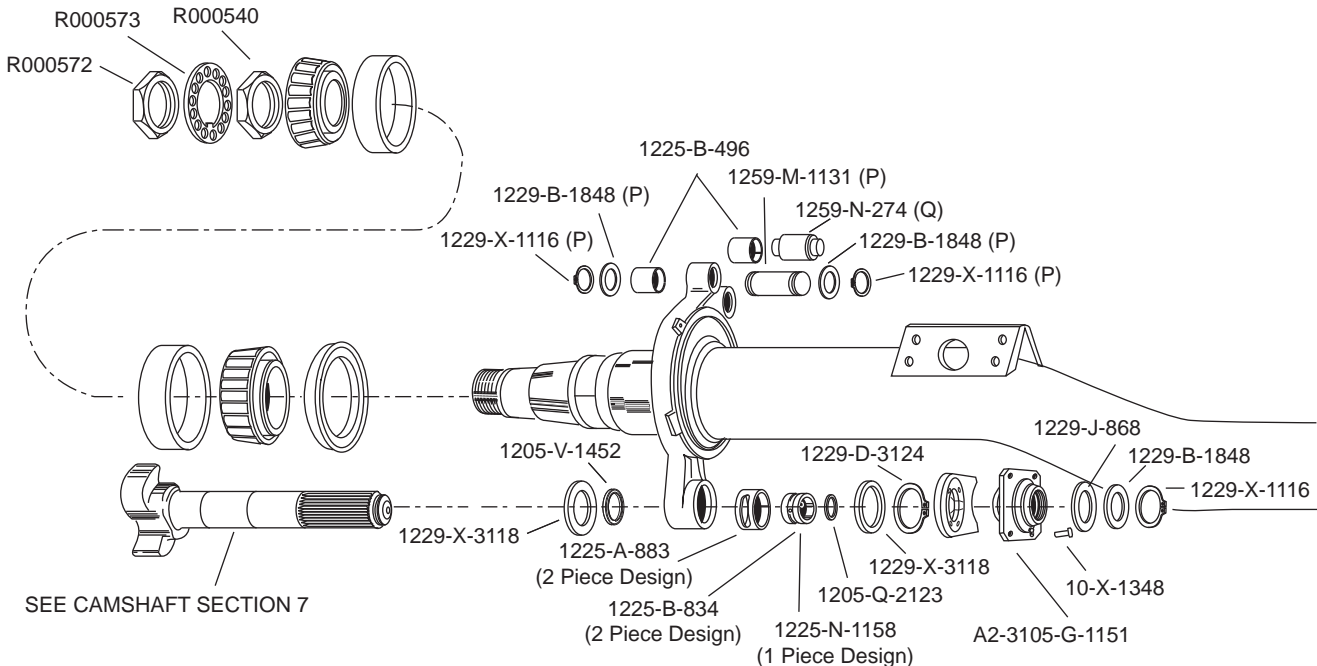
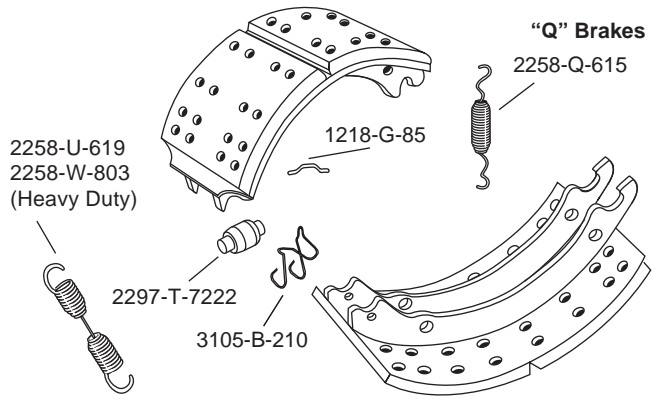
For "Q" Brake Repair Kit use
**KIT 8000 (Q) or
KIT 8000HD (Heavy Duty)**

For Camshaft Repair Kit use
KIT 8048

"P" Brakes



"Q" Brakes



SEE CAMSHAFT SECTION 7

MERITOR TKD, TKLD, TND, TQD DROP CENTER AXLES

16-1/2" x 7", 8-5/8" & 10" "P" OR "Q" BRAKES

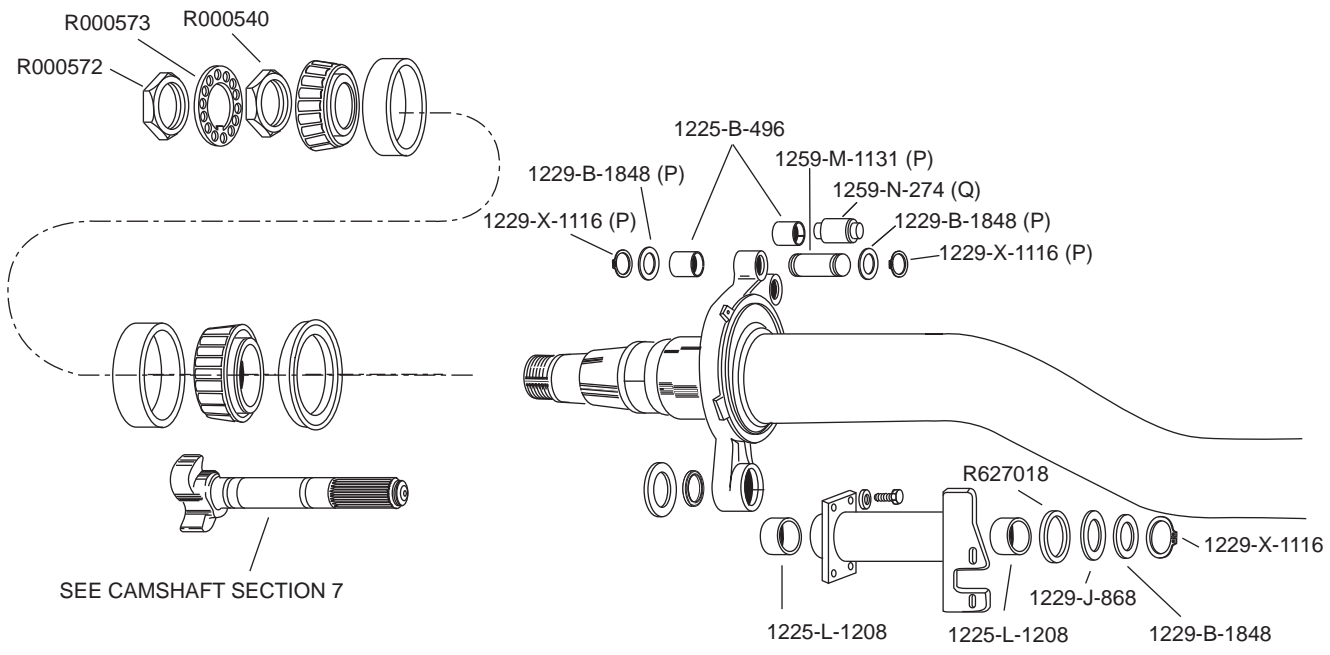
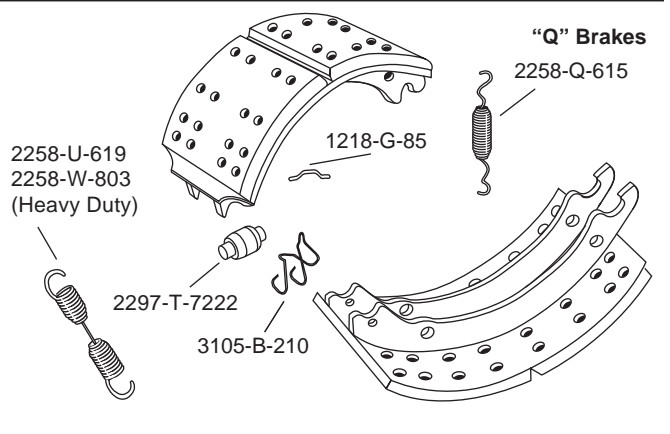
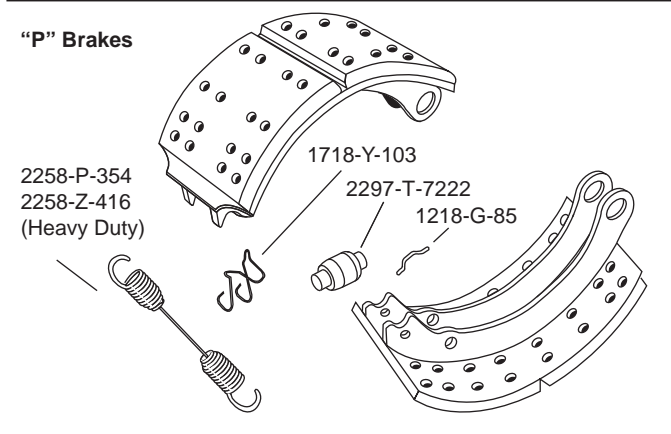
PRE & POST-121 UNIT MOUNTED 4000 & 8000 SERIES

| UNLINED SHOE | SIZE | FMSI |
|--------------------|--------|-------|
| "P" SHOES - | | |
| A-3722-N-66 | 7" | 4515G |
| "Q" SHOES - | | |
| A91-3222-S-1293 | 7" | 4515G |
| R4551Q | 8-5/8" | 4551B |
| A-3222-D-1356 | 10" | 4552 |

| Part | Page | Part | Page | Part | Page |
|-------------|------|-----------------|------|------------|-------|
| 1218-G-85 | 3-15 | 2258-Q-615 | 3-12 | KIT 8000HD | 2-24 |
| 1225-B-496 | 3-7 | 2258-U-619 | 3-13 | KIT 8048 | 7-43 |
| 1225-L-1208 | | 2258-W-803 | 3-13 | R000540 | 11-39 |
| 1229-J-868 | 7-60 | 2258-Z-416 | 3-13 | R000572 | 11-39 |
| 1229-X-1116 | 7-57 | 2297-T-7222 | 3-1 | R000573 | 11-45 |
| 1229-B-1848 | 7-57 | 3105-B-210 | 3-4 | R4551Q | 4-7 |
| 1259-M-1131 | 3-5 | A-3222-D-1356 | 4-7 | R509000 | 2-19 |
| 1259-N-274 | 3-5 | A-3722-N-66 | 4-5 | R509001 | 2-20 |
| 1718-Y-103 | 3-4 | A91-3222-S-1293 | 4-7 | | |
| 2258-P-354 | 3-13 | KIT 8000 | 2-20 | | |

For "P" Brake Repair Kit use
**R509000 or
R509001 (Heavy Duty)**

For "Q" Brake Repair Kit use
**KIT 8000 (Q) or
KIT 8000HD (Heavy Duty)**



MERITOR TN, TQ & RQ

16-1/2" x 7", 8-5/8" & 10" "P", "Q" OR Q PLUS™ BRAKES

CAST SPIDER

| UNLINED SHOE | SIZE | FMSI |
|------------------------|--------|-------|
| "P" SHOES - | | |
| A-3722-N-66 | 7" | 4515G |
| "Q" SHOES - | | |
| A91-3222-S-1293 | 7" | 4515G |
| R4551Q | 8-5/8" | 4551B |
| A-3222-D-1356 | 10" | 4552 |
| Q PLUS™ SHOES - | | |
| A19-3222-D-2006 | 7" | 4707D |

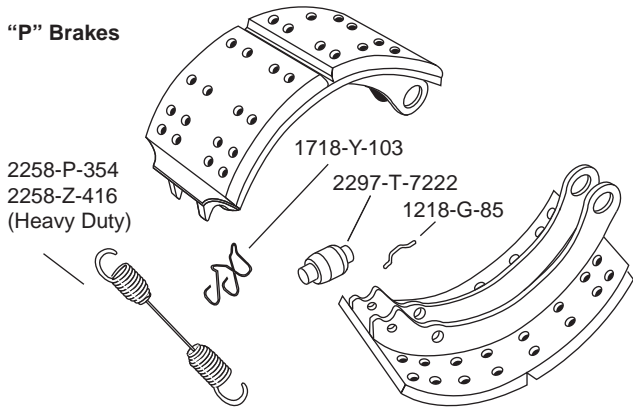
| Part | Page | Part | Page | Part | Page | Part | Page |
|-------------|------|-------------|------|-----------------|------|------------|-------|
| 10-X-1348 | 5-ii | 1229-J-868 | 7-60 | 2258-W-803 | 3-13 | KIT 8000HD | 2-24 |
| 1205-Q-2123 | 7-71 | 1229-X-1116 | 7-57 | 2258-Z-416 | 3-13 | KIT 8048 | 7-43 |
| 1205-V-1452 | 7-71 | 1229-X-3118 | 7-62 | 2297-T-7222 | 3-1 | R000540 | 11-39 |
| 1218-G-85 | 3-15 | 1229-Z-1118 | 7-63 | 3105-B-210 | 3-4 | R000572 | 11-39 |
| 1225-A-833 | 7-66 | 1259-M-1131 | 3-5 | A-3222-D-1356 | 4-7 | R000573 | 11-45 |
| 1225-B-496 | 3-7 | 1259-N-274 | 3-5 | A-3722-N-66 | 4-5 | R4551Q | 4-7 |
| 1225-B-834 | 7-66 | 1718-Y-103 | 3-4 | A2-3105-G-1151 | 7-68 | R509000 | 2-19 |
| 1225-N-1158 | 7-66 | 2258-P-354 | 3-13 | A19-3222-D-2006 | 4-8 | R509001 | 2-20 |
| 1229-B-1848 | 7-57 | 2258-Q-615 | 3-12 | A91-3222-S-1293 | 4-8 | | |
| 1229-D-3124 | 7-63 | 2258-U-619 | 3-13 | KIT 8000 | 2-20 | | |

For "P" Brake Repair Kit use
**R509000 or
R509001 (Heavy Duty)**

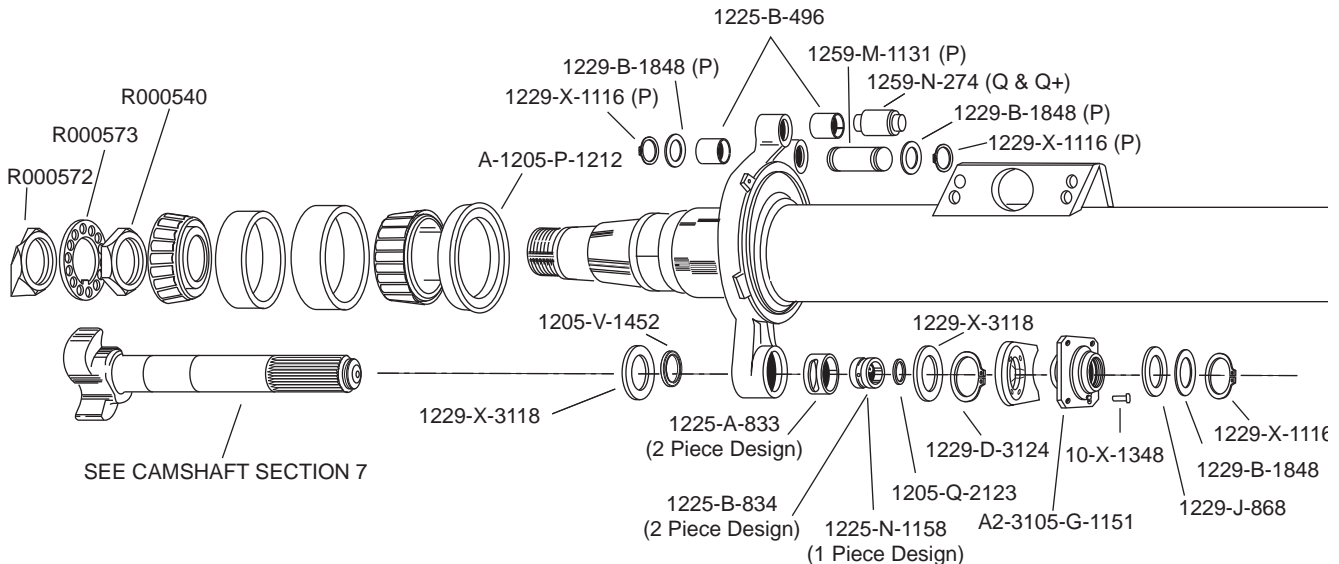
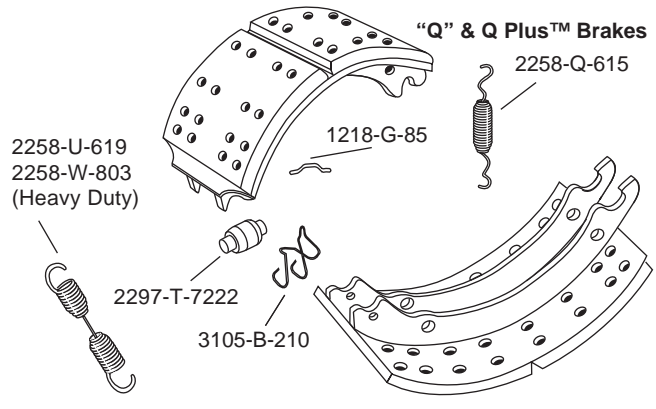
For "Q" or Q Plus™ Brake Repair Kit use
**KIT 8000 (Q) or KIT 8000HD
(Q & Q Plus™) (Heavy Duty)**

For Camshaft Repair Kit use
KIT 8048

"P" Brakes



"Q" & Q Plus™ Brakes



MERITOR TN, TQ & RQ

16-1/2" x 7", 8-5/8" & 10" "P", "Q" OR Q PLUS™ BRAKES

FABRICATED SPIDER — WELD-ON RETAINER

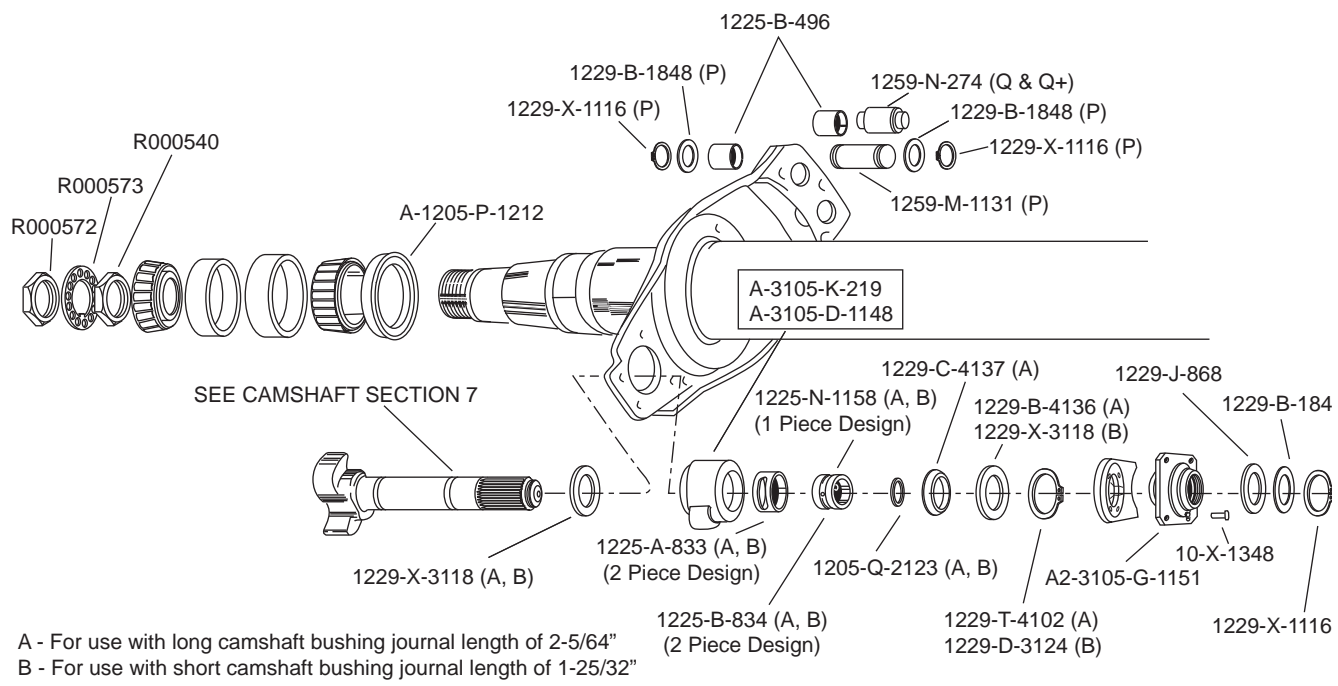
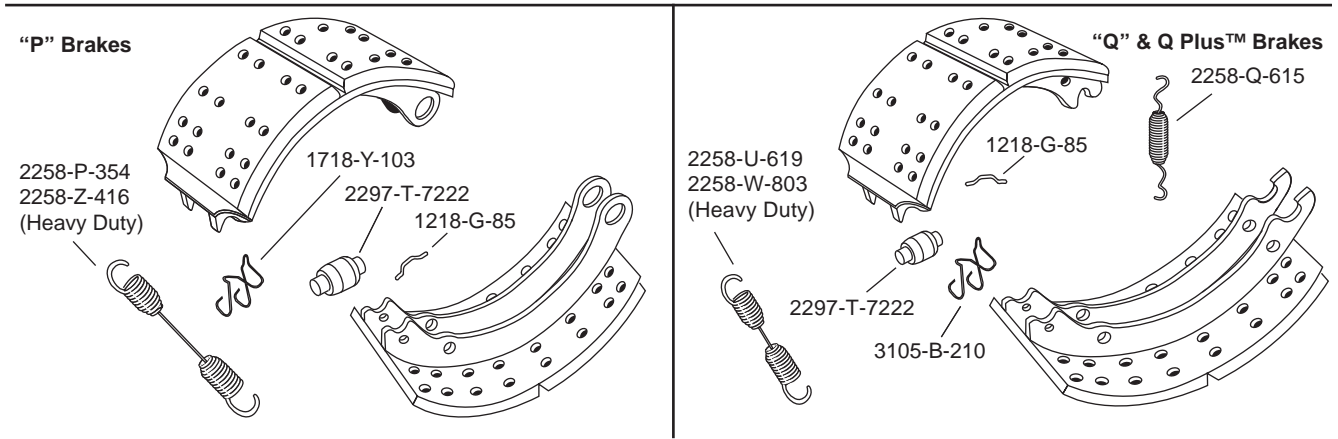
| UNLINED SHOE | SIZE | FMSI |
|------------------------|--------|-------|
| "P" SHOES - | | |
| A-3722-N-66 | 7" | 4515G |
| "Q" SHOES - | | |
| A91-3222-S-1293 | 7" | 4515G |
| R4551Q | 8-5/8" | 4551B |
| A-3222-D-1356 | 10" | 4552 |
| Q PLUS™ SHOES - | | |
| A19-3222-D-2006 | 7" | 4707D |

| Part | Page | Part | Page | Part | Page | Part | Page |
|-------------|------|-------------|------|-----------------|------|------------|-------|
| 10-X-1348 | 5-ii | 1229-J-868 | 7-60 | 2258-Z-416 | 3-13 | KIT 8000HD | 2-24 |
| 1205-Q-2123 | 7-71 | 1229-T-4102 | 7-63 | 2297-T-7222 | 3-1 | KIT 8062 | 7-50 |
| 1218-G-85 | 3-15 | 1229-X-1116 | 7-57 | 3105-B-210 | 3-4 | KIT 8069 | 7-53 |
| 1225-A-833 | 7-66 | 1229-X-3118 | 7-62 | A-3105-D-1148 | 7-68 | R000540 | 11-39 |
| 1225-B-496 | 3-7 | 1259-M-1131 | 3-5 | A-3105-K-219 | 7-68 | R000572 | 11-39 |
| 1225-B-834 | 7-66 | 1259-N-274 | 3-5 | A-3222-D-1356 | 4-7 | R000573 | 11-45 |
| 1225-N-1158 | 7-66 | 1718-Y-103 | 3-4 | A-3722-N-66 | 4-5 | R4551Q | 4-7 |
| 1229-B-1848 | 7-57 | 2258-P-354 | 3-13 | A2-3105-G-1151 | 7-68 | R509000 | 2-19 |
| 1229-B-4136 | 7-61 | 2258-Q-615 | 3-12 | A19-3222-D-2006 | 4-8 | R509001 | 2-20 |
| 1229-C-4137 | 7-62 | 2258-U-619 | 3-13 | A91-3222-S-1293 | 4-8 | | |
| 1229-D-3124 | 7-63 | 2258-W-803 | 3-13 | KIT 8000 | 2-20 | | |

For "P" Brake Repair Kit use
R509000 or
R509001 (Heavy Duty)

For "Q" or Q Plus™ Brake Repair Kit use
KIT 8000 (Q) or KIT 8000HD
(Q & Q Plus™) (Heavy Duty)

For Camshaft Repair Kit use
KIT 8062 - 219 Retainer
KIT 8069 - 1148 Retainer



MERITOR TN, TQ & RQ

16-1/2" x 7", 8-5/8" & 10" "P", "Q" OR Q PLUS™ BRAKES

FABRICATED SPIDER — BOLT-ON RETAINER

| UNLINED SHOE | SIZE | FMSI |
|------------------------|--------|-------|
| "P" SHOES - | | |
| A-3722-N-66 | 7" | 4515G |
| "Q" SHOES - | | |
| A91-3222-S-1293 | 7" | 4515G |
| R4551Q | 8-5/8" | 4551B |
| A-3222-D-1356 | 10" | 4552 |
| Q PLUS™ SHOES - | | |
| A19-3222-D-2006 | 7" | 4707D |

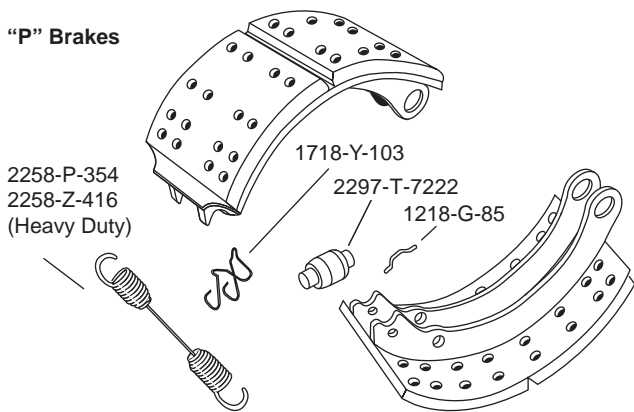
| Part | Page | Part | Page | Part | Page | Part | Page |
|-------------|------|-------------|------|-----------------|------|----------|-------|
| 10-X-1348 | 5-ii | 1229-X-1116 | 7-57 | 3105-B-210 | 3-4 | KIT 8289 | 7-54 |
| 10-X-1421 | 5-ii | 1259-M-1131 | 3-5 | A-3105-L-1078 | 7-69 | R000540 | 11-39 |
| 1205-Q-2123 | 7-71 | 1259-N-274 | 3-5 | A-3222-D-1356 | 4-7 | R000572 | 11-39 |
| 1218-G-85 | 3-15 | 1718-Y-103 | 3-4 | A-3722-N-66 | 4-5 | R000573 | 11-45 |
| 1225-B-496 | 3-7 | 2258-P-354 | 3-13 | A2-3105-G-1151 | 7-68 | R4551Q | 4-7 |
| 1229-B-1848 | 7-57 | 2258-Q-615 | 3-12 | A19-3222-D-2006 | 4-8 | R509000 | 2-19 |
| 1229-J-868 | 7-60 | 2258-U-619 | 3-13 | A91-3222-S-1293 | 4-8 | R509001 | 2-20 |
| 1229-R-4100 | 7-62 | 2258-W-803 | 3-13 | KIT 8000 | 2-20 | | |
| 1229-S-4101 | 7-62 | 2258-Z-416 | 3-13 | KIT 8000HD | 2-24 | | |
| 1229-T-4102 | 7-63 | 2297-T-7222 | 3-1 | KIT 8078 | 7-53 | | |

For "P" Brake Repair Kit use
**R509000 or
R509001 (Heavy Duty)**

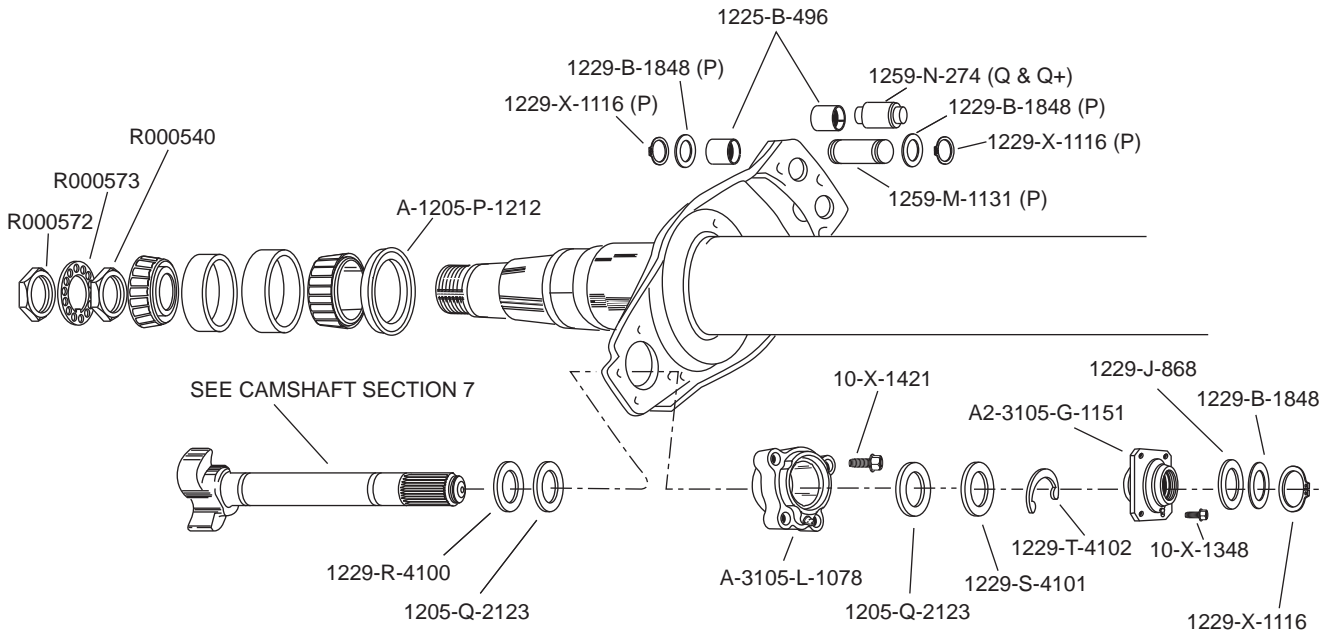
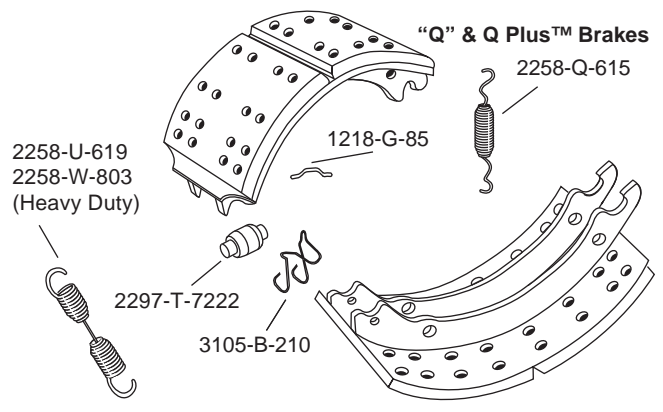
For "Q" or Q Plus™ Brake Repair Kit use
**KIT 8000 (Q) or KIT 8000HD
(Q & Q Plus™) (Heavy Duty)**

For Camshaft Repair Kit use
**KIT 8078 or
KIT 8289**

"P" Brakes



"Q" & Q Plus™ Brakes



MERITOR TP

16-1/2" x 7", 8-5/8" & 10" "Q" OR Q PLUS™ BRAKES

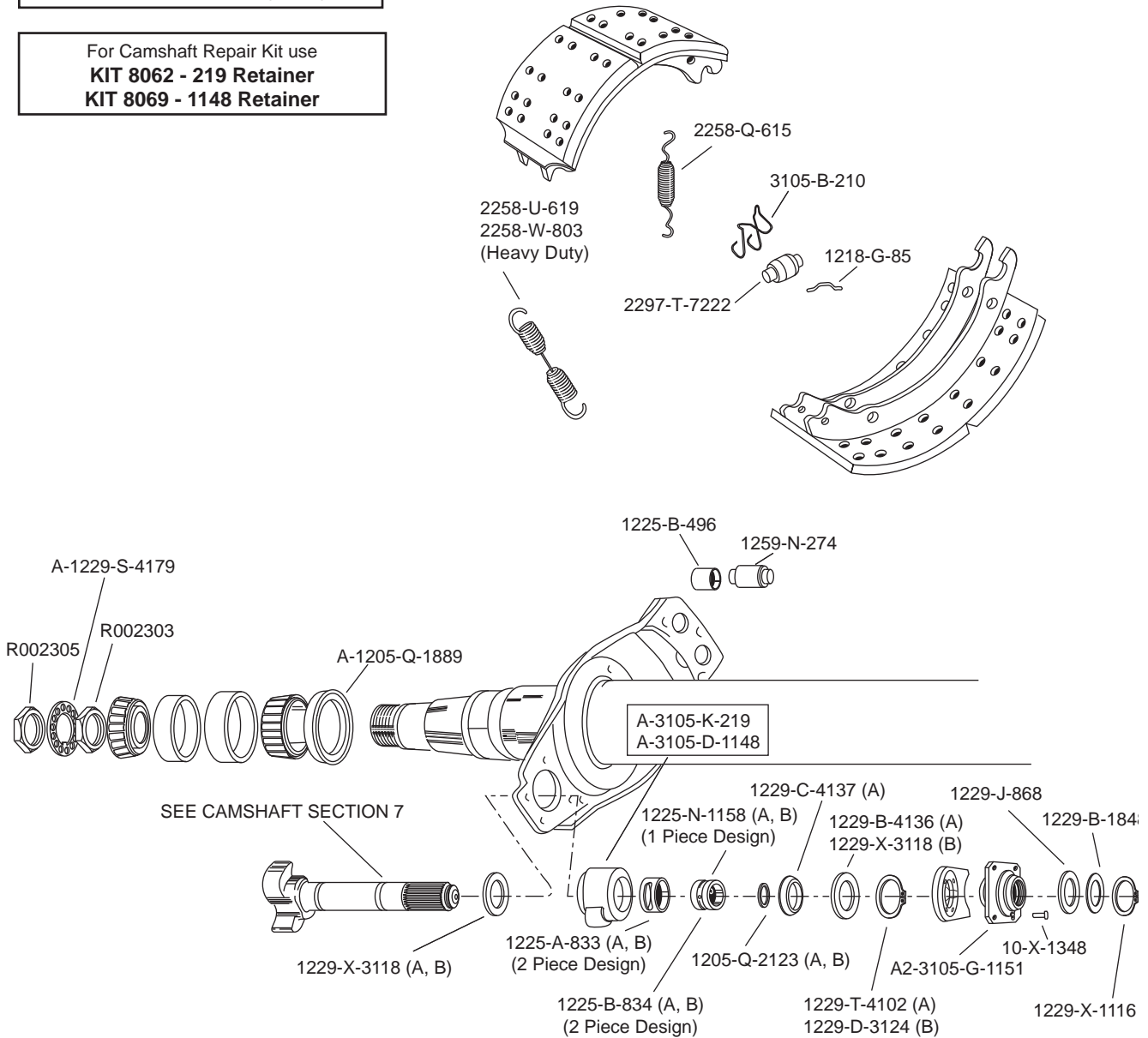
FABRICATED SPIDER — WELD-ON RETAINER

| UNLINED SHOE | SIZE | FMSI |
|------------------------|--------|-------|
| "Q" SHOES - | | |
| A91-3222-S-1293 | 7" | 4515G |
| R4551Q | 8-5/8" | 4551B |
| A-3222-D-1356 | 10" | 4552 |
| Q PLUS™ SHOES - | | |
| A19-3222-D-2006 | 7" | 4707D |

For "Q" or "Q+" Brake Repair Kit use
KIT 8000 (Q) or KIT 8000HD (Q & Q Plus™) (Heavy Duty)

For Camshaft Repair Kit use
KIT 8062 - 219 Retainer
KIT 8069 - 1148 Retainer

| Part | Page |
|----------------------|-------|
| 10-X-1348..... | 5-ii |
| 1205-Q-2123..... | 7-71 |
| 1218-G-85..... | 3-15 |
| 1225-A-833..... | 7-66 |
| 1225-B-496..... | 3-7 |
| 1225-B-834..... | 7-66 |
| 1225-N-1158..... | 7-66 |
| 1229-B-1848..... | 7-57 |
| 1229-B-4136..... | 7-61 |
| 1229-C-4137..... | 7-62 |
| 1229-D-3124..... | 7-63 |
| 1229-J-868..... | 7-60 |
| 1229-T-4102..... | 7-63 |
| 1229-X-1116..... | 7-57 |
| 1229-X-3118..... | 7-62 |
| 1259-N-274..... | 3-5 |
| 2258-Q-615..... | 3-12 |
| 2258-U-619..... | 3-13 |
| 2258-W-803..... | 3-13 |
| 2297-T-7222..... | 3-1 |
| 3105-B-210..... | 3-4 |
| A-3105-D-1148..... | 7-68 |
| A-3105-K-219..... | 7-68 |
| A-3222-D-1356..... | 4-7 |
| A-3722-N-66..... | 4-5 |
| A2-3105-G-1151..... | 7-68 |
| A19-3222-D-2006..... | 4-8 |
| A91-3222-S-1293..... | 4-8 |
| KIT 8000..... | 2-20 |
| KIT 8000HD..... | 2-24 |
| KIT 8062..... | 7-50 |
| KIT 8069..... | 7-53 |
| R002303..... | 11-49 |
| R002305..... | 11-49 |
| R4551Q..... | 4-7 |



A - For use with long camshaft bushing journal length of 2-5/64"
B - For use with short camshaft bushing journal length of 1-25/32"

MERITOR TP

16-1/2" x 7", 8-5/8" & 10" "Q" OR Q PLUS™ BRAKES

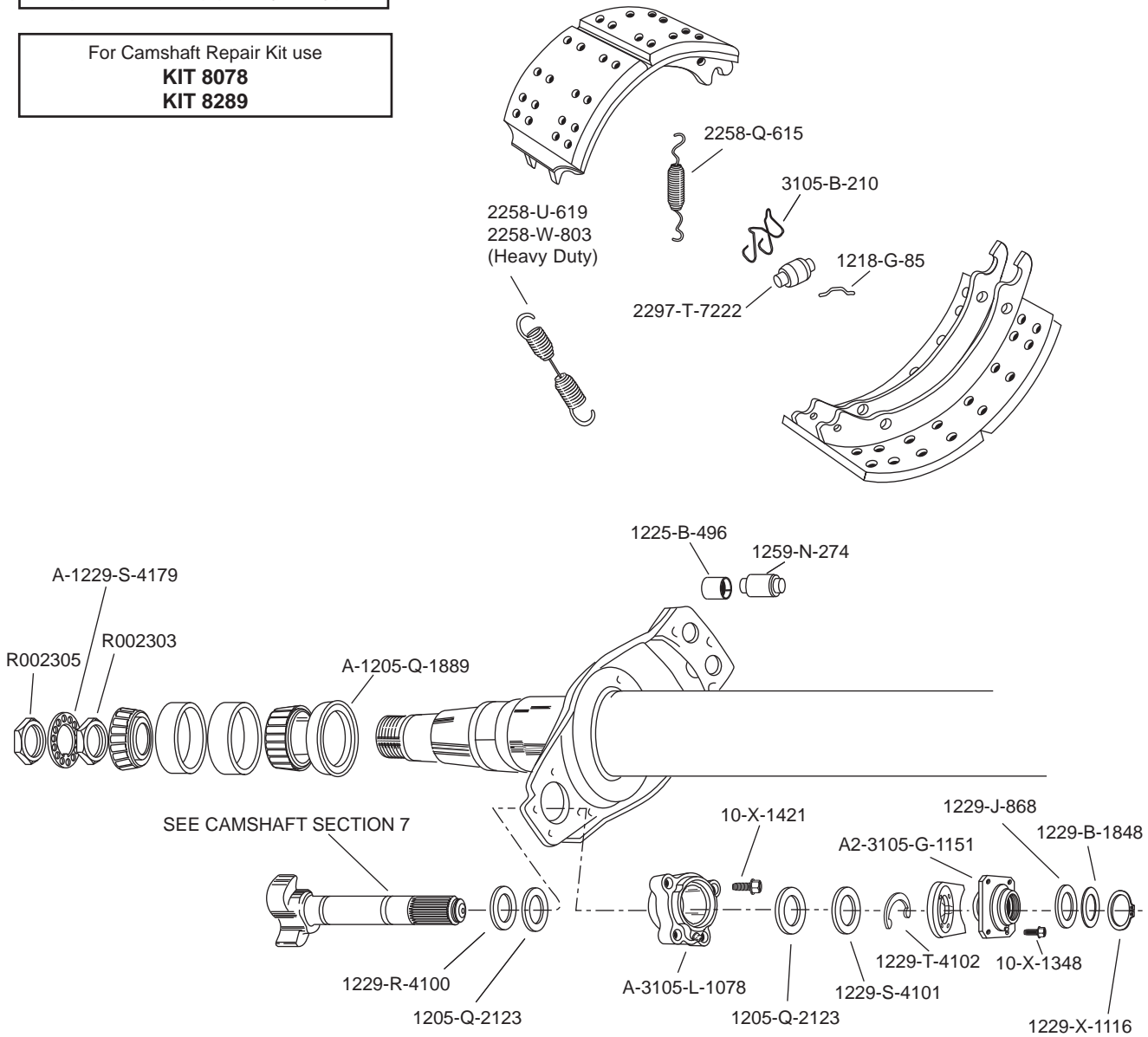
FABRICATED SPIDER — BOLT-ON RETAINER

| UNLINED SHOE | SIZE | FMSI |
|------------------------|--------|-------|
| "Q" SHOES - | | |
| A91-3222-S-1293 | 7" | 4515G |
| R4551Q | 8-5/8" | 4551B |
| A-3222-D-1356 | 10" | 4552 |
| Q PLUS™ SHOES - | | |
| A19-3222-D-2006 | 7" | 4707D |

For "Q" or Q Plus™ Brake Repair Kit use
KIT 8000 (Q) or KIT 8000HD
(Q & Q Plus™) (Heavy Duty)

For Camshaft Repair Kit use
KIT 8078
KIT 8289

| Part | Page |
|-----------------|-------|
| 10-X-1348 | 5-ii |
| 10-X-1421 | 5-ii |
| 1205-Q-2123 | 7-71 |
| 1218-G-85 | 3-15 |
| 1225-B-496 | 3-7 |
| 1229-B-1848 | 7-57 |
| 1229-J-868 | 7-60 |
| 1229-R-4100 | 7-62 |
| 1229-S-4101 | 7-62 |
| 1229-T-4102 | 7-63 |
| 1229-X-1116 | 7-57 |
| 1258-Q-615 | 3-5 |
| 2258-U-619 | 3-12 |
| 2258-W-803 | 3-13 |
| 2297-T-7222 | 3-1 |
| 3105-B-210 | 3-4 |
| A-3105-L-1078 | 7-69 |
| A-3222-D-1356 | 4-7 |
| A-3722-N-66 | 4-5 |
| A2-3105-G-1151 | 7-68 |
| A19-3222-D-2006 | 4-8 |
| A91-3222-S-1293 | 4-8 |
| KIT 8000 | 2-20 |
| KIT 8000HD | 2-24 |
| KIT 8078 | 7-53 |
| KIT 8289 | 7-54 |
| R002303 | 11-49 |
| R002305 | 11-49 |
| R4551Q | 4-7 |



MERITOR TRD DROP CENTER AXLES

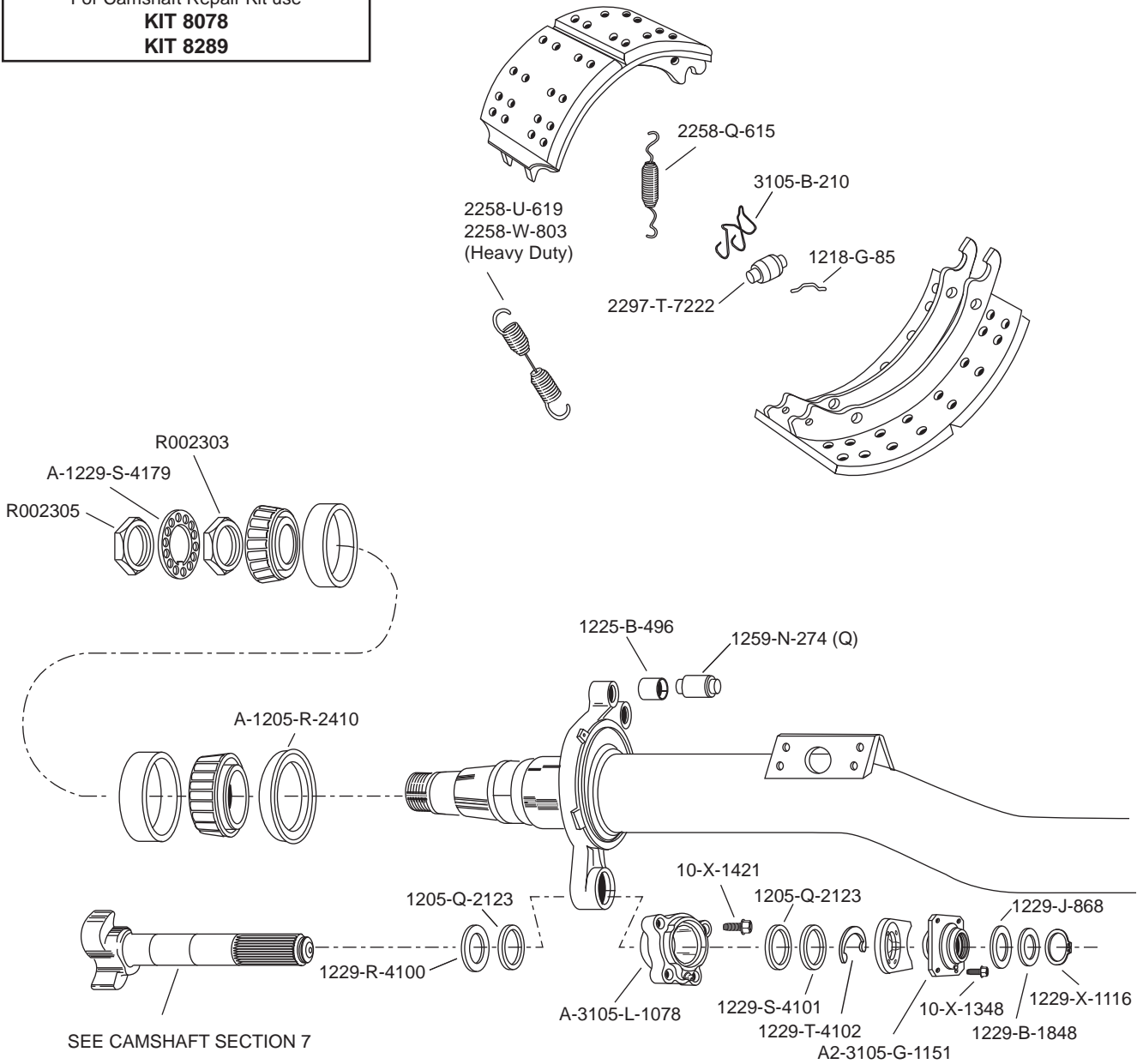
16-1/2" x 7", 8-5/8" & 10" "Q" OR Q PLUS™ BRAKES

| UNLINED SHOE | SIZE | FMSI |
|------------------------|--------|-------|
| "Q" SHOES - | | |
| A91-3222-S-1293 | 7" | 4515G |
| R4551Q | 8-5/8" | 4551B |
| A-3222-D-1356 | 10" | 4552 |
| Q PLUS™ SHOES - | | |
| A19-3222-D-2006 | 7" | 4707D |

For "Q" or "Q+" Brake Repair Kit use
KIT 8000 (Q) or KIT 8000HD (Q & Q Plus™) (Heavy Duty)

For Camshaft Repair Kit use
**KIT 8078
 KIT 8289**

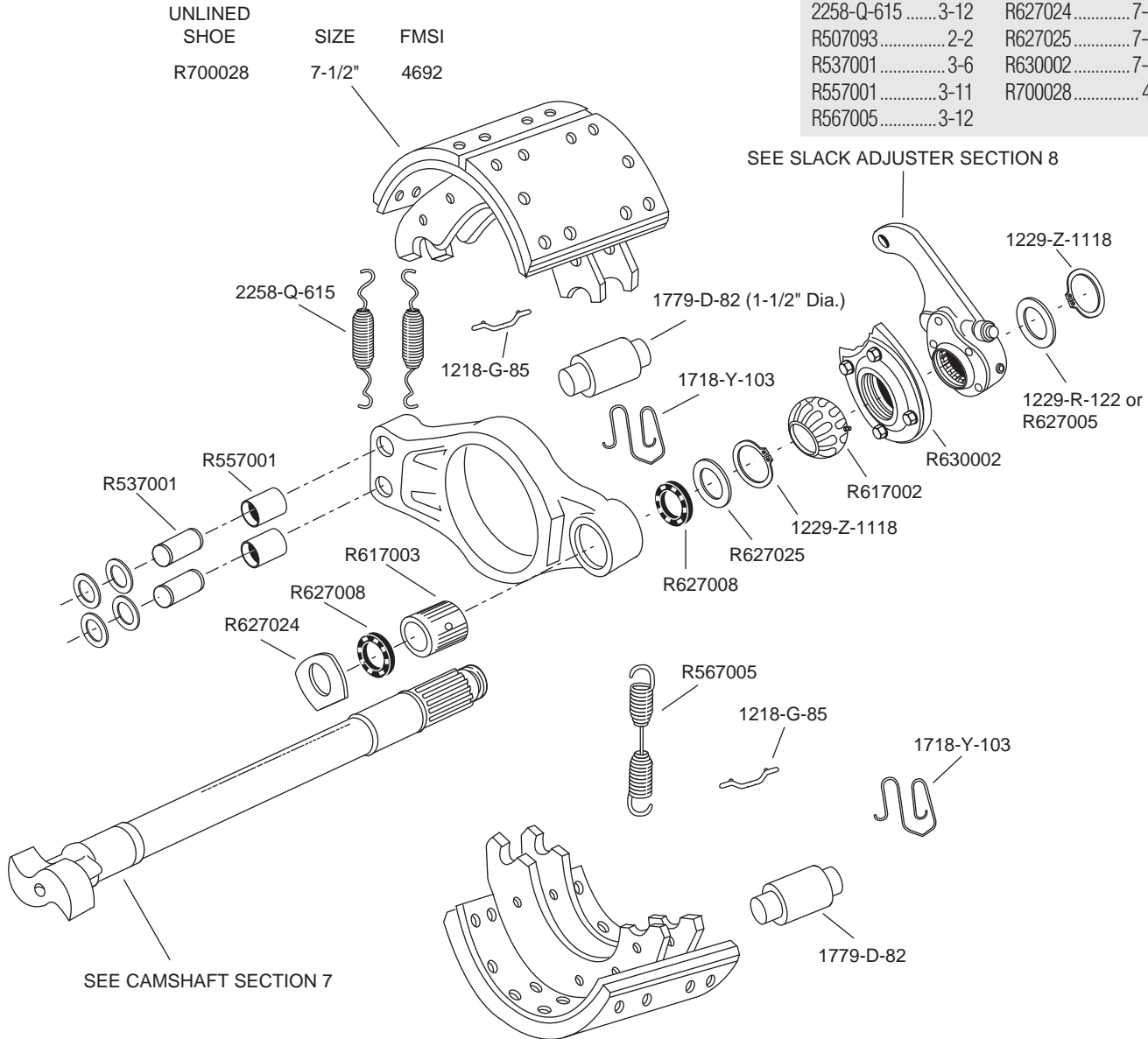
| Part | Page |
|-----------------|-------|
| 10-X-1348 | 5-ii |
| 10-X-1421 | 5-ii |
| 1205-Q-2123 | 7-71 |
| 1218-G-85 | 3-15 |
| 1225-B-496 | 3-7 |
| 1229-B-1848 | 7-57 |
| 1229-J-868 | 7-60 |
| 1229-R-4100 | 7-62 |
| 1229-S-4101 | 7-62 |
| 1229-T-4102 | 7-63 |
| 1229-X-1116 | 7-57 |
| 1259-N-274 | 3-5 |
| 2258-Q-615 | 3-12 |
| 2258-U-619 | 3-13 |
| 2258-W-803 | 3-13 |
| 2297-T-7222 | 3-1 |
| 3105-B-210 | 3-4 |
| A-3105-L-1078 | 7-69 |
| A-3222-D-1356 | 4-7 |
| A2-3105-G-1151 | 7-68 |
| A19-3222-D-2006 | 4-8 |
| A91-3222-S-1293 | 4-8 |
| KIT 8000 | 2-20 |
| KIT 8000HD | 2-24 |
| KIT 8078 | 7-53 |
| KIT 8289 | 7-54 |
| R002303 | 11-49 |
| R002305 | 11-49 |
| R4551Q | 4-7 |



SPICER (DANA) 12-1/4" DIAMETER "FAST CHANGE II" BRAKES

OLD SPIDER BEFORE 11/1/96 WITH NEW SHOE ANCHOR PIN O.D. 1"

| Part | Page |
|------------------|------|
| 1218-G-85..... | 3-15 |
| 1229-R-122..... | 7-61 |
| 1229-Z-1118..... | 7-63 |
| 1718-Y-103..... | 3-4 |
| 1779-D-82..... | 3-ii |
| 2258-Q-615..... | 3-12 |
| R507093..... | 2-2 |
| R537001..... | 3-6 |
| R557001..... | 3-11 |
| R567005..... | 3-12 |
| R615010..... | 7-43 |
| R617002..... | 7-65 |
| R617003..... | 7-64 |
| R627005..... | 7-59 |
| R627008..... | 7-70 |
| R627024..... | 7-61 |
| R627025..... | 7-61 |
| R630002..... | 7-68 |
| R700028..... | 4-ii |



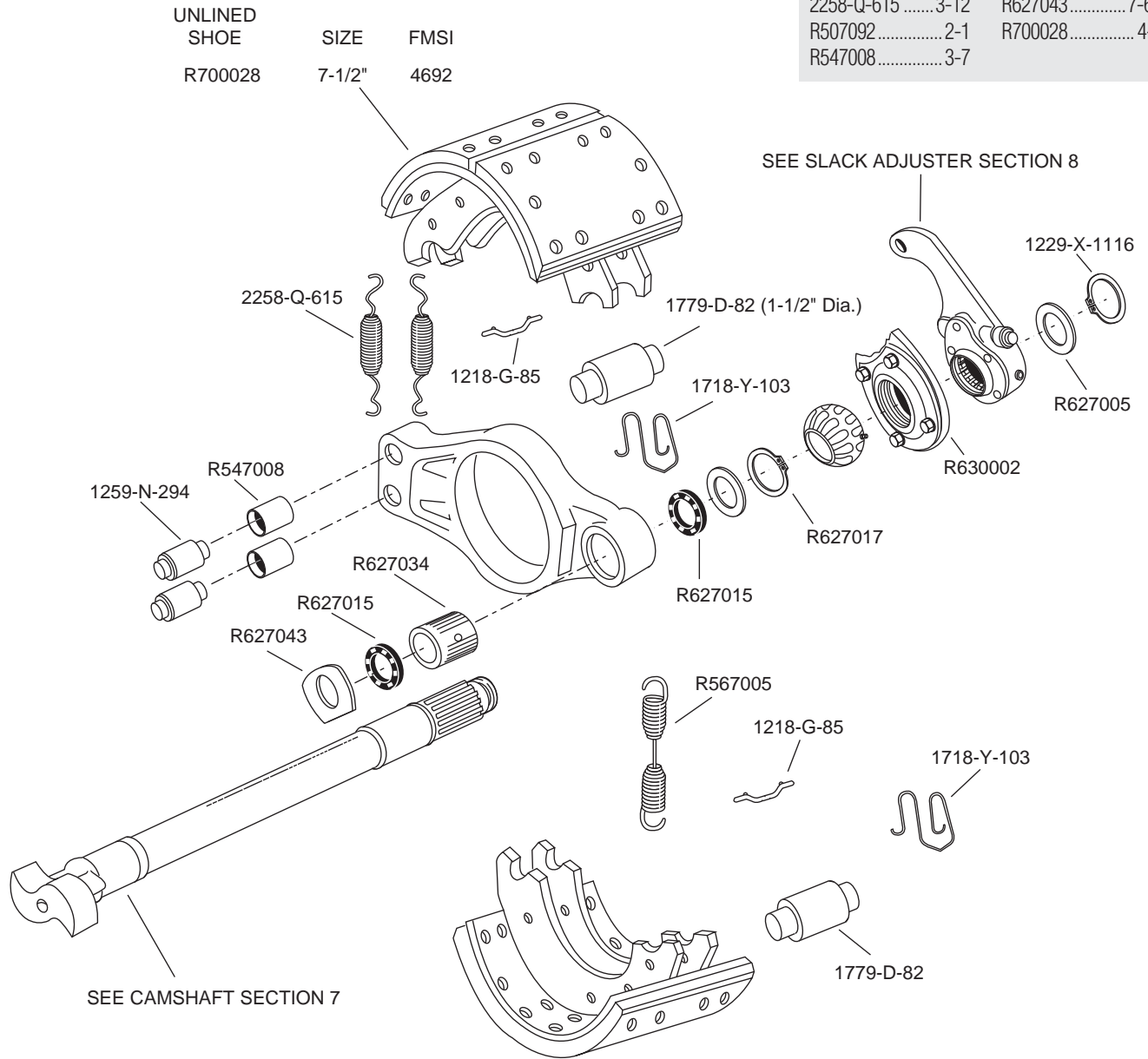
For Brake Shoe Repair Kit
use
R507093

For Camshaft Repair Kit
use
R615010

SPICER (DANA) 12-1/4" DIAMETER "FAST CHANGE II" BRAKES

NEW SPIDER AFTER 11/1/96 ANCHOR PIN O.D. 1-1/4"

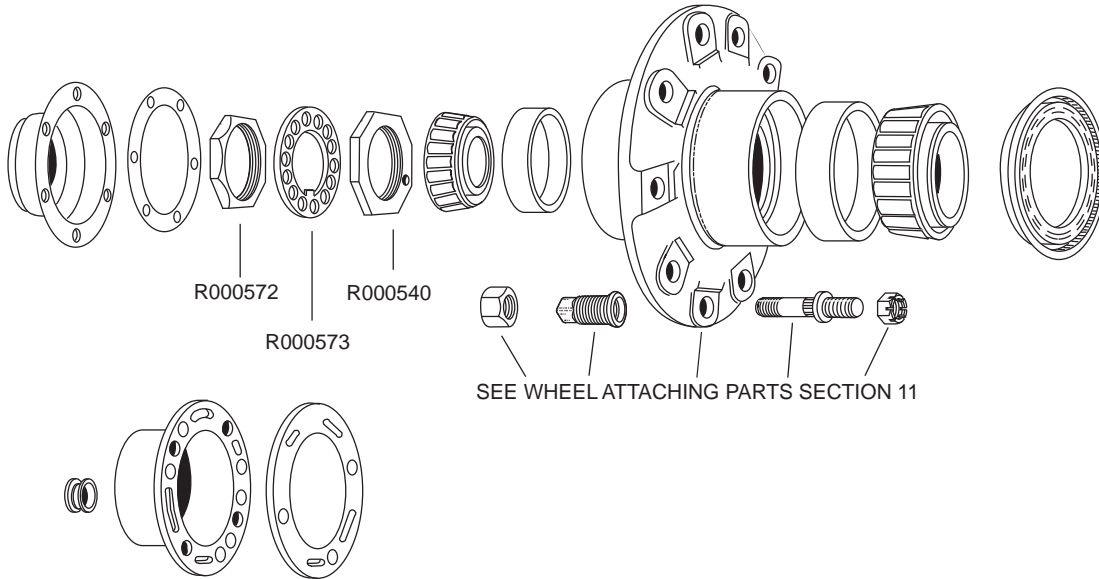
| Part | Page |
|------------------|------|
| 1218-G-85..... | 3-15 |
| 1229-X-1116..... | 7-57 |
| 1259-N-274..... | 3-5 |
| 1718-Y-103..... | 3-4 |
| 1779-D-82..... | 3-ii |
| 2258-Q-615..... | 3-12 |
| R507092..... | 2-1 |
| R547008..... | 3-7 |
| R567005..... | 3-12 |
| R627005..... | 7-59 |
| R627015..... | 7-71 |
| R627017..... | 7-63 |
| R627034..... | 7-66 |
| R627043..... | 7-62 |
| R700028..... | 4-ii |



For Brake Shoe Repair Kit
use
R507092

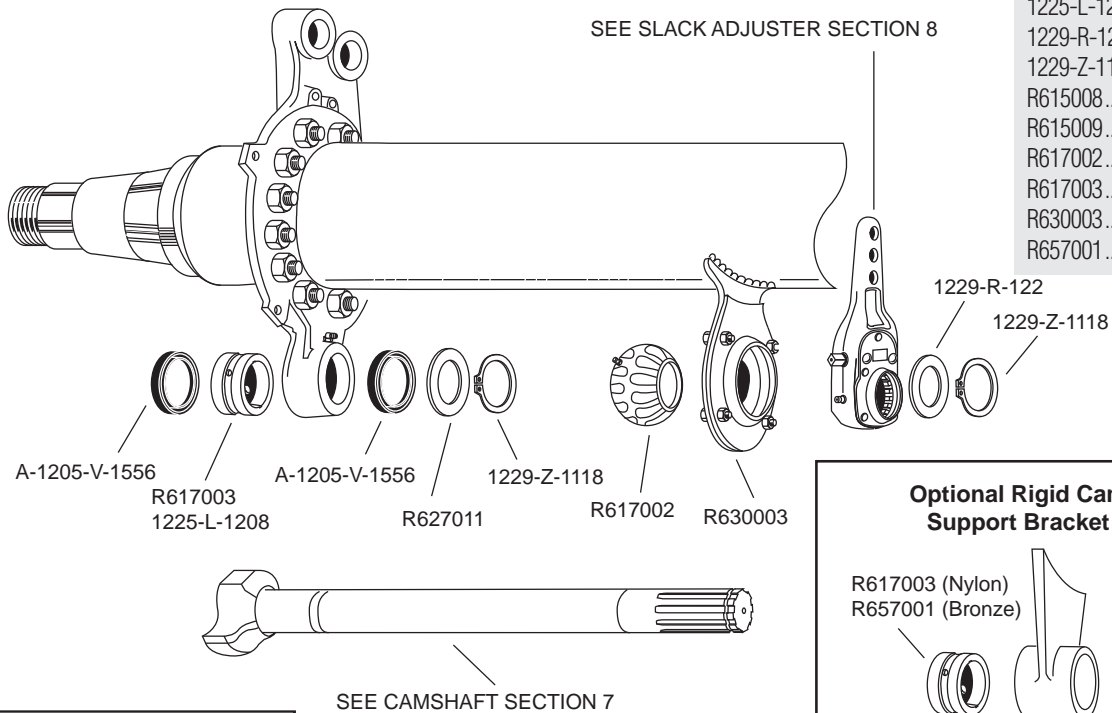
PARTS FOR SPICER (DANA) D21 & D22 AXLES WITH 16-1/2" DIAMETER BRAKES

| Part | Page |
|---------------|-------|
| R000540 | 11-39 |
| R000572 | 11-39 |
| R000573 | 11-39 |



CAMSHAFT, BUSHINGS AND BRACKET PARTS

| Part | Page |
|-------------------|------|
| A-1205-V-1556 .. | 7-70 |
| 1225-L-1208 | 7-64 |
| 1229-R-122 | 7-61 |
| 1229-Z-1118 | 7-63 |
| R615008 | 7-55 |
| R615009 | 7-49 |
| R617002 | 7-65 |
| R617003 | 7-64 |
| R630003 | 7-68 |
| R657001 | 7-64 |



For Camshaft Repair Kit
use
R615008

**Optional Rigid Cam
Support Bracket**

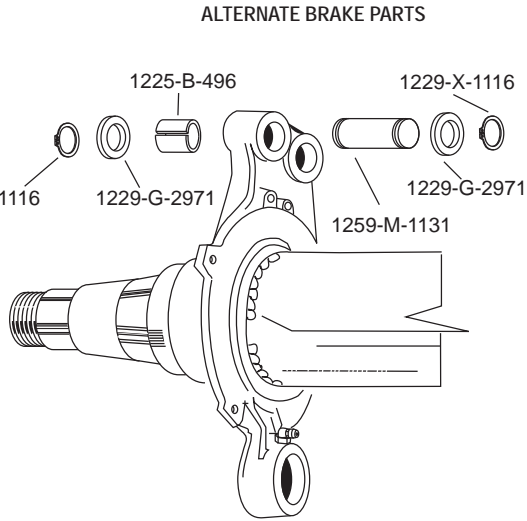
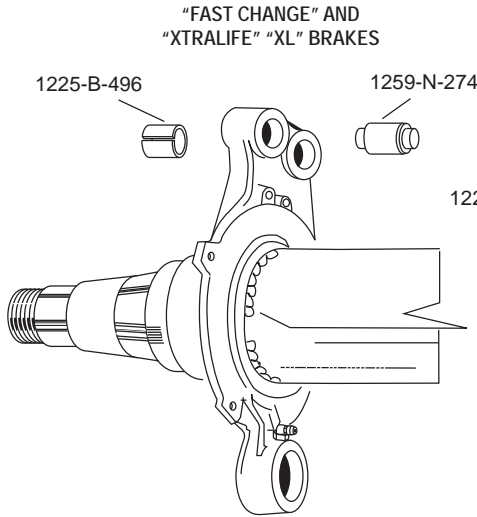
R617003 (Nylon)
R657001 (Bronze)

For Camshaft Repair Kit use
R615009

PARTS FOR SPICER (DANA) D21 & D22 AXLES WITH 16-1/2" DIAMETER BRAKES

ANCHOR PIN VARIATIONS

| Part | Page |
|-------------------|------|
| 1225-B-496..... | 3-7 |
| 1229-G-2971 | 7-59 |
| 1229-X-1116..... | 3-9 |
| 1259-M-1131 | 3-5 |
| 1259-N-274 | 3-5 |
| KIT 8000 | 2-20 |
| KIT 8000HD..... | 2-24 |
| KIT 8000MB | 2-21 |
| KIT 8000MBHD.. | 2-21 |
| KIT 8014 | 2-21 |
| KIT 8014HD..... | 2-24 |
| R509000 | 2-19 |
| R509001 | 2-20 |



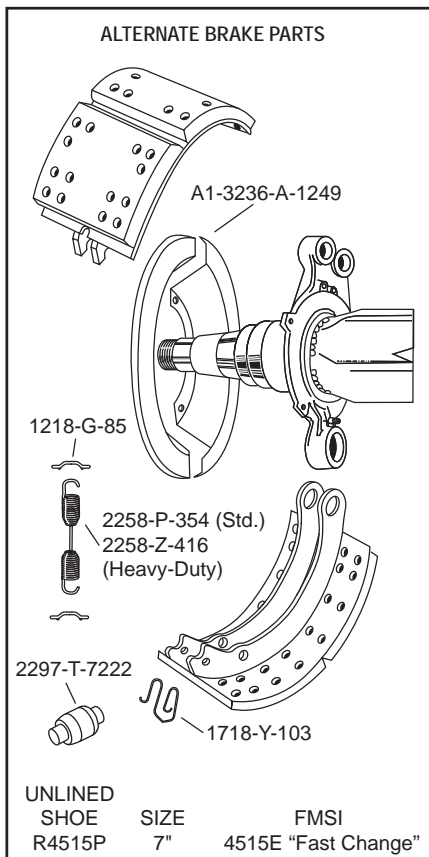
"FAST CHANGE"

For Brake Repair Kit use
**KIT 8000, KIT 8000HD, KIT 8000MB,
KIT 8000MBHD, KIT 8014, KIT 8014HD**

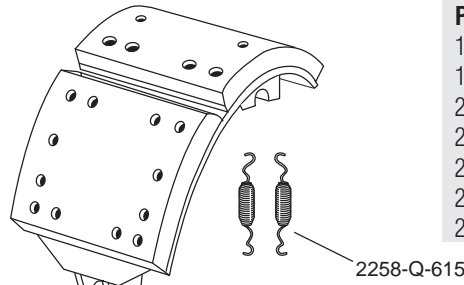
"ALTERNATE"

For Brake Repair Kit use
R509000 or R509001

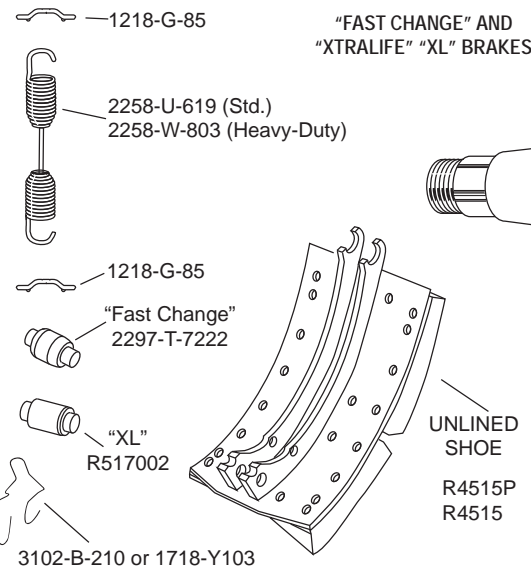
SHOES, ROLLERS, SPRINGS & DUST SHIELD



| UNLINED SHOE | SIZE | FMSI |
|--------------|------|---------------------|
| R4515P | 7" | 4515E "Fast Change" |



| Part | Page |
|----------------------|------|
| 1218-G-85..... | 3-15 |
| 1718-Y-103..... | 3-4 |
| 2258-P-354..... | 3-13 |
| 2258-Z-416..... | 3-13 |
| 2258-Q-615 | 3-12 |
| 2258-U-619 | 3-13 |
| 2258-W-803..... | 3-13 |
| 2297-T-7222 | 3-1 |
| 3105-B-210..... | 3-4 |
| A1-3236-A-1249 | 6-2 |
| R4515 | 4-6 |
| R4515P | 4-7 |
| R517002 | 3-ii |

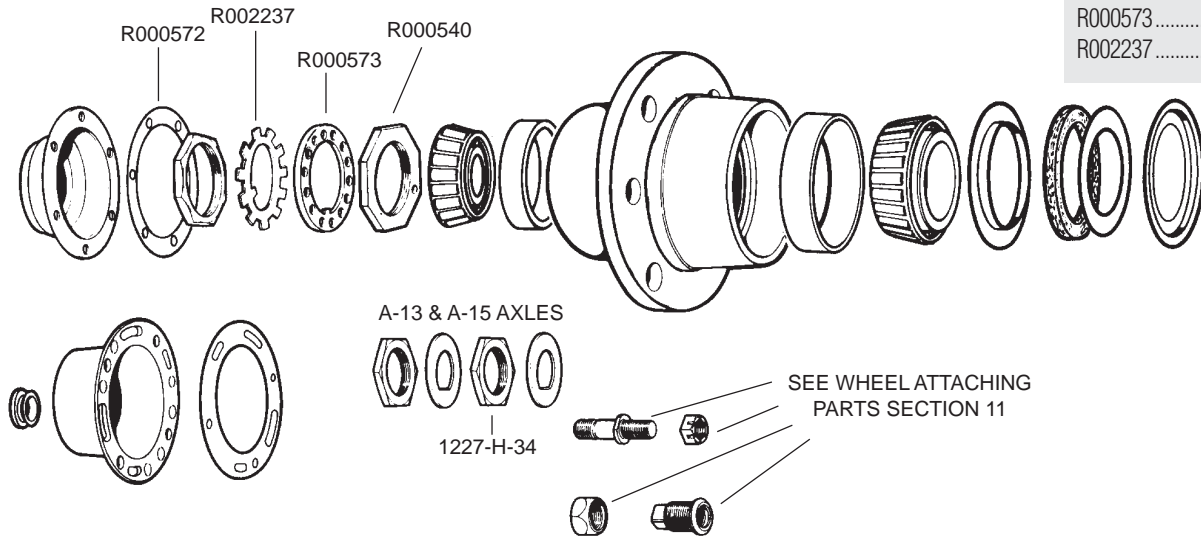


| UNLINED SHOE | SIZE | FMSI |
|--------------|------|---------------------|
| R4515P | 7" | 4515E "Fast Change" |
| R4515 | 7" | 4701 "XL" |

STANDARD FORGE AXLE WITH 12-1/4" DIAMETER BRAKES

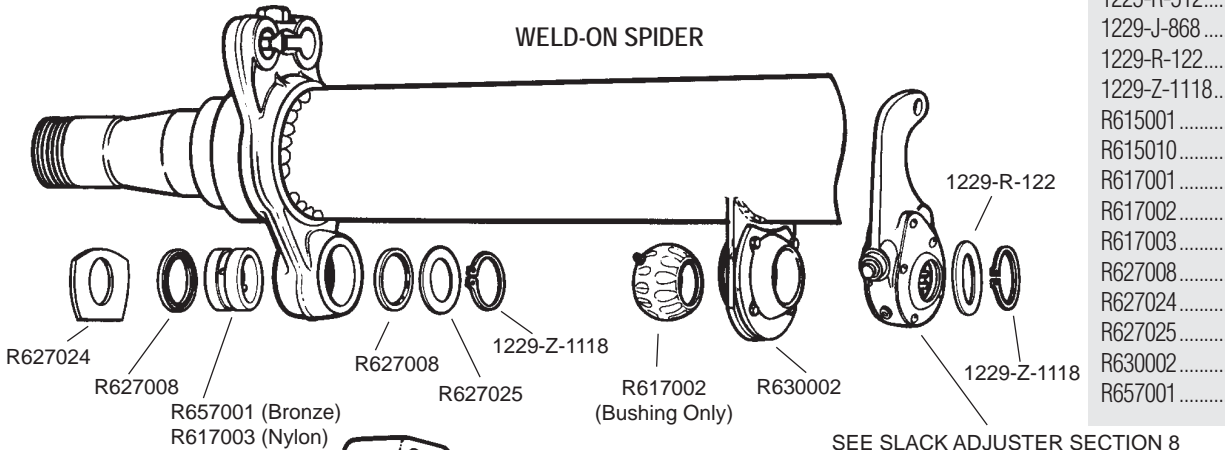
HUB CAPS, SPINDLE NUTS, SEALS & STUDS

| Part | Page |
|----------------|-------|
| 1227-H-34..... | 11-35 |
| R000540..... | 11-39 |
| R000572..... | 11-39 |
| R000573..... | 11-39 |
| R002237..... | 11-39 |

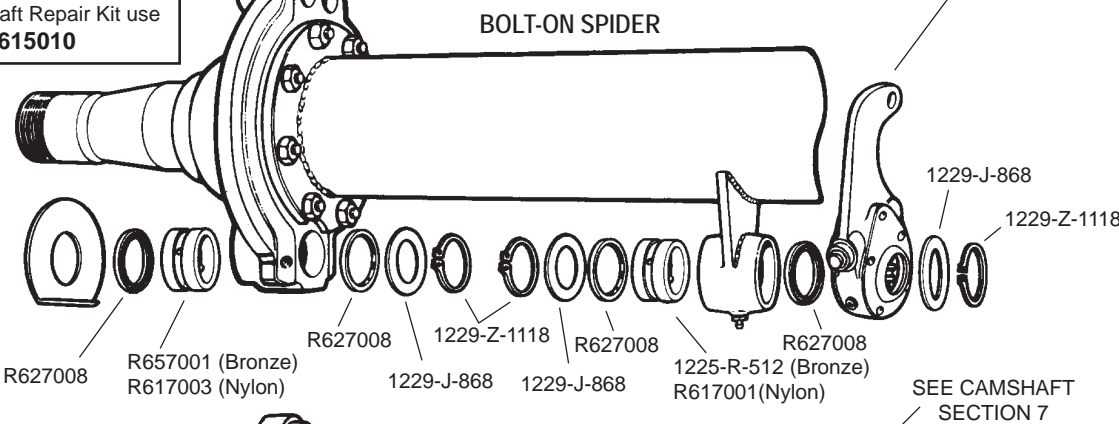


HUB CAPS, SPINDLE NUTS, SEALS & STUDS

| Part | Page |
|------------------|------|
| 1225-R-512..... | 7-64 |
| 1229-J-868..... | 7-60 |
| 1229-R-122..... | 7-61 |
| 1229-Z-1118..... | 7-63 |
| R615001..... | 7-43 |
| R615010..... | 7-43 |
| R617001..... | 7-65 |
| R617002..... | 7-61 |
| R617003..... | 7-64 |
| R627008..... | 7-70 |
| R627024..... | 7-61 |
| R627025..... | 7-61 |
| R630002..... | 7-68 |
| R657001..... | 7-64 |



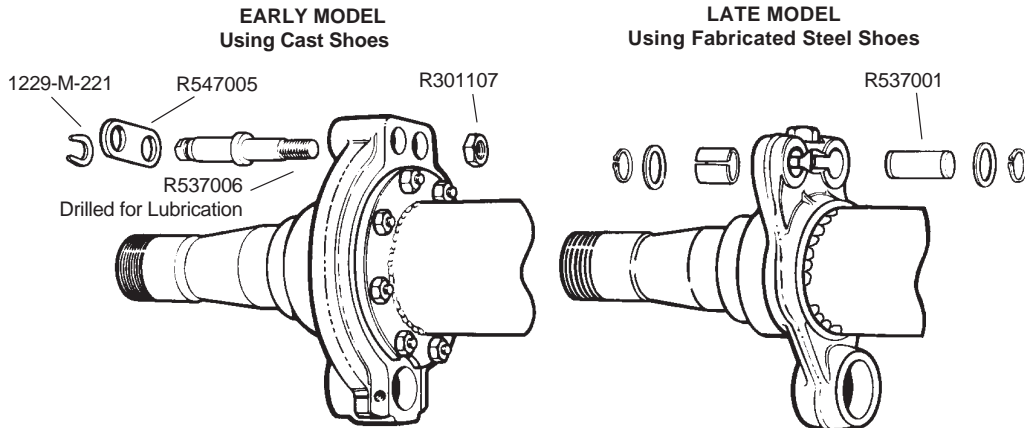
For Camshaft Repair Kit use
R615010



For Camshaft Repair Kit use
R615001

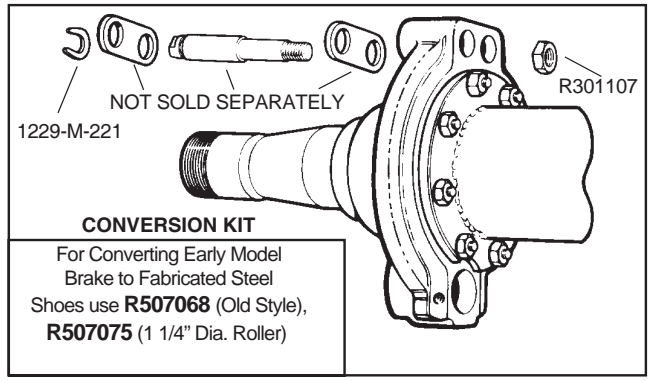
STANDARD FORGE AXLE WITH 12-1/4" DIAMETER BRAKES

ANCHOR PIN VARIATIONS



| Part | Page |
|-----------------|------|
| 1229-M-221..... | 3-8 |
| R301107..... | 3-10 |
| R507014..... | 2-3 |
| R507015..... | 2-3 |
| R507068..... | 2-3 |
| R507074..... | 2-1 |
| R507075..... | 2-1 |
| R507088..... | 2-1 |
| R537001..... | 2-3 |
| R537006..... | 2-3 |
| R547005..... | 3-8 |

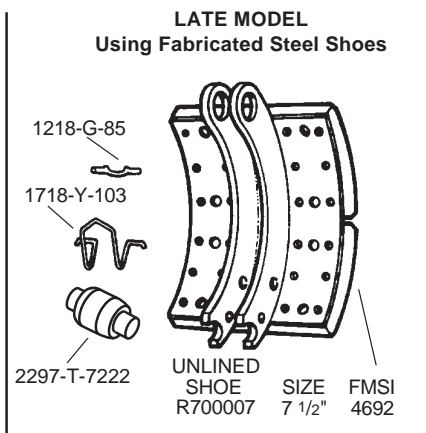
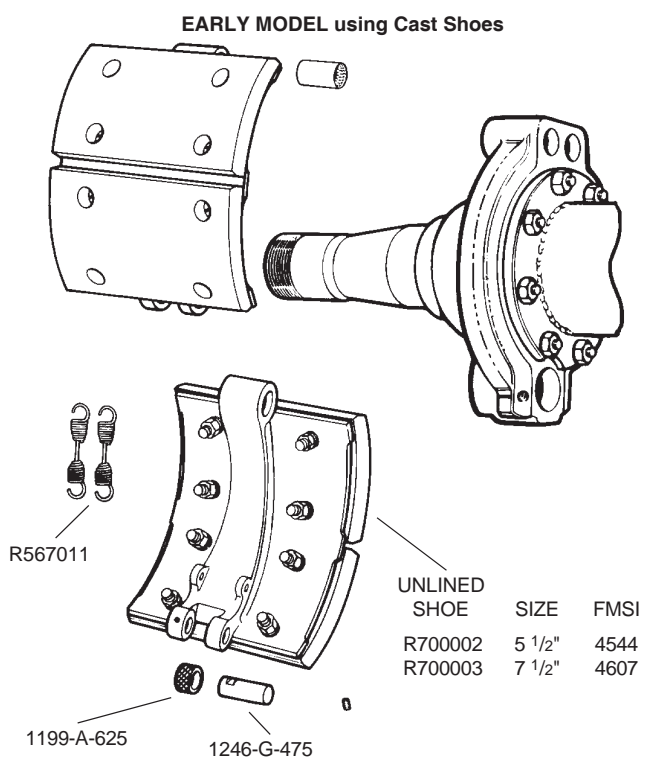
EARLY MODEL
For Early Model Brake Repair Kit use **R507014**



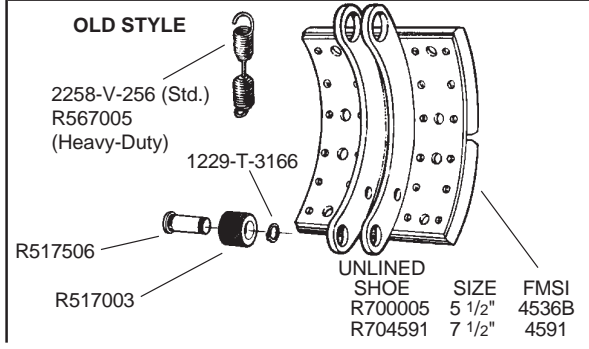
For Old Style Brake Repair Kit use **R507015**

For New Style Brake Repair Kit use **R507074** (1 1/4" Dia. Roller)
R507088 (1 1/2" Dia. Roller)

SHOES, ROLLERS & SPRINGS



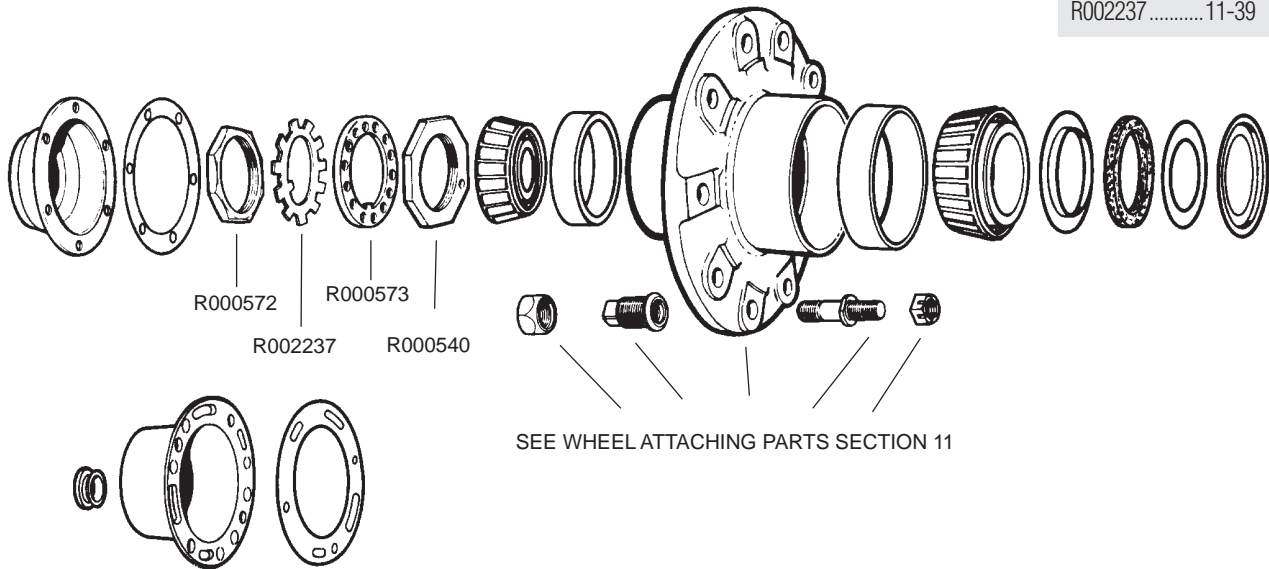
| Part | Page |
|------------------|------|
| 1199-A-625..... | 3-2 |
| 1218-G-85..... | 3-15 |
| 1229-T-3166..... | 3-3 |
| 1246-G-475..... | 3-3 |
| 1718-Y-103..... | 3-4 |
| 2258-V-256..... | 3-12 |
| 2297-T-7222..... | 3-1 |
| R517003..... | 3-2 |
| R517506..... | 3-3 |
| R567005..... | 3-12 |
| R567011..... | 3-11 |
| R700005..... | 4-ii |
| R704591..... | 4-1 |



PARTS FOR STANDARD FORGE A-17, A-19 & A-22 SERIES TRAILER AXLE WITH 16-1/2" DIAMETER BRAKES

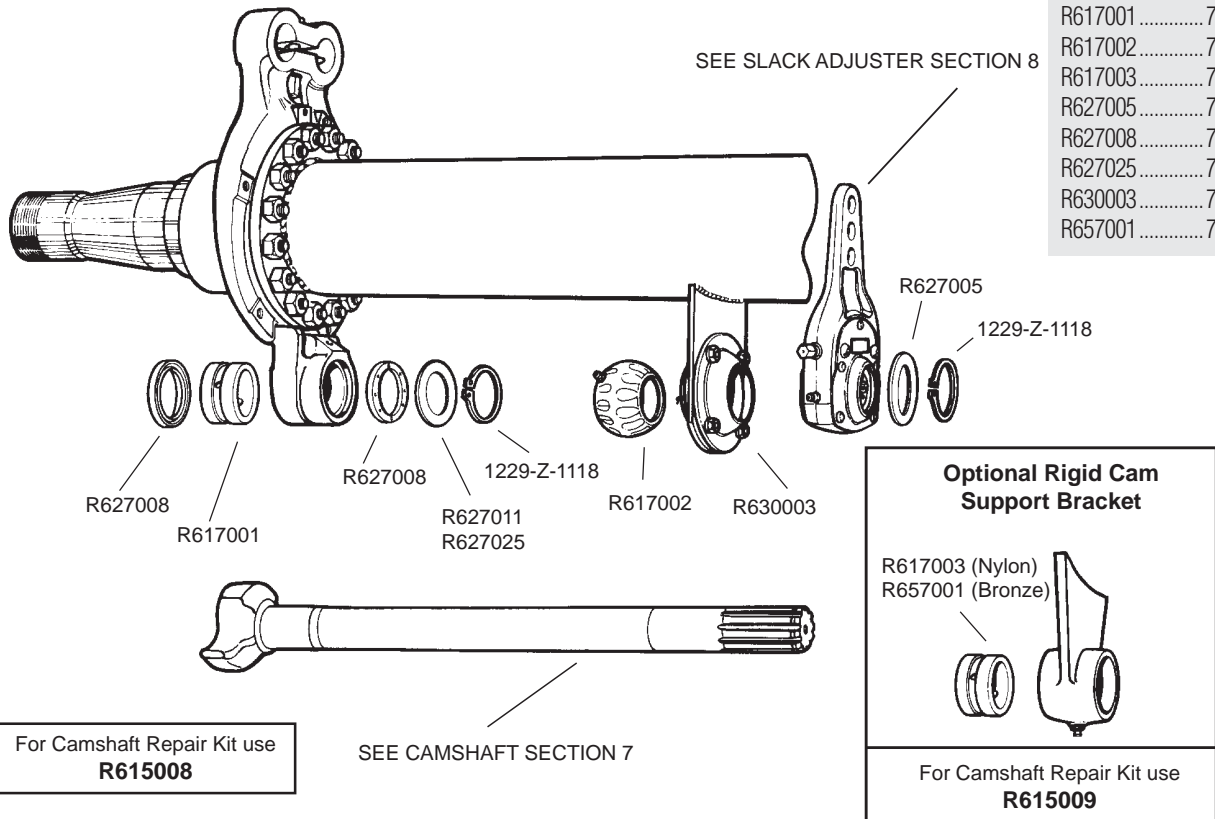
HUB CAPS, SPINDLE NUTS, SEALS & STUDS

| Part | Page |
|---------------|-------|
| R000540 | 11-39 |
| R000572 | 11-39 |
| R000573 | 11-39 |
| R002237 | 11-39 |



CAMSHAFT, BUSHINGS AND BRACKET PARTS

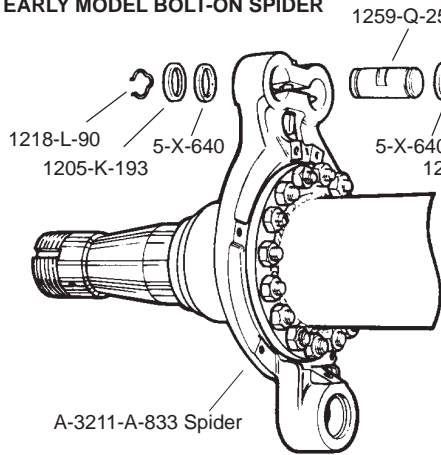
| Part | Page |
|-------------------|------|
| 1229-Z-1118 | 7-63 |
| R615008 | 7-55 |
| R615009 | 7-49 |
| R617001 | 7-65 |
| R617002 | 7-65 |
| R617003 | 7-64 |
| R627005 | 7-59 |
| R627008 | 7-70 |
| R627025 | 7-61 |
| R630003 | 7-68 |
| R657001 | 7-64 |



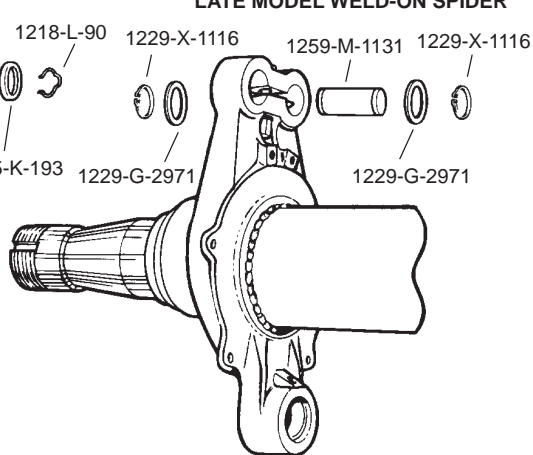
PARTS FOR STANDARD FORGE A-17, A-19 & A-22 SERIES TRAILER AXLE WITH 16-1/2" DIAMETER BRAKES

ANCHOR PIN VARIATIONS

EARLY MODEL BOLT-ON SPIDER

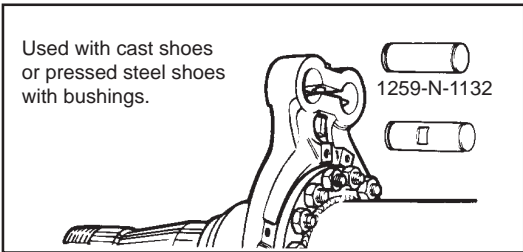


LATE MODEL WELD-ON SPIDER

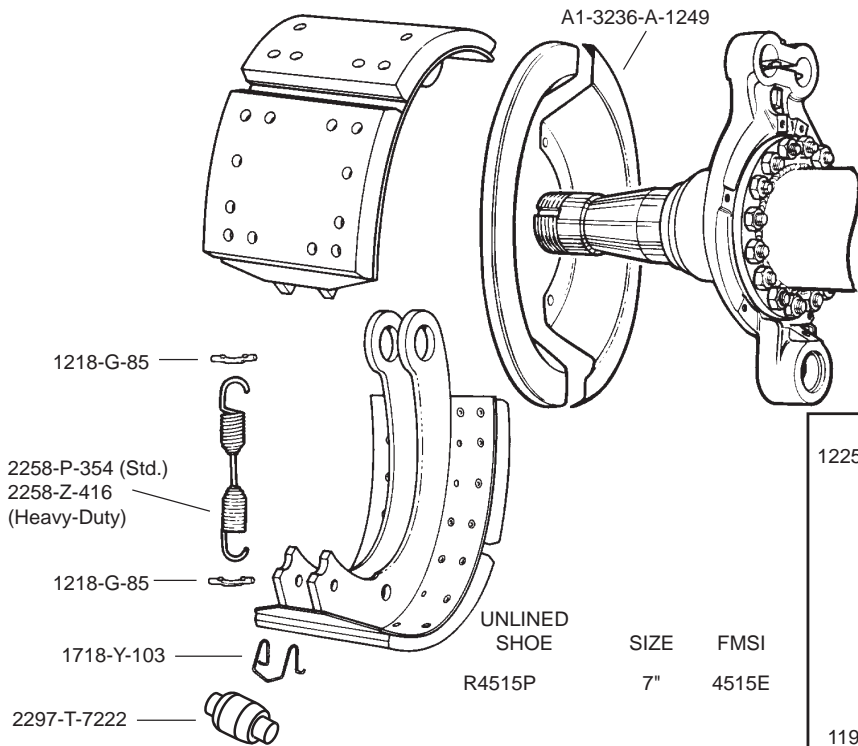


| Part | Page |
|-------------------|------|
| 5-X-640 | 3-8 |
| 1205-K-193 | 7-72 |
| 1218-L-90 | 3-8 |
| 1229-G-2971 | 7-59 |
| 1229-X-1116 | 3-9 |
| 1259-M-1131 | 3-5 |
| 1259-N-1132 | 3-6 |
| 1259-Q-251 | 3-5 |
| R509001 | 2-20 |

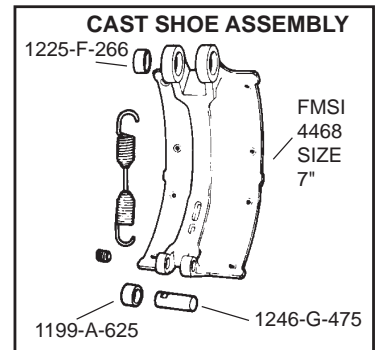
For Brake Repair Kit use
R509001



SHOES, ROLLERS, SPRINGS & DUST SHIELD



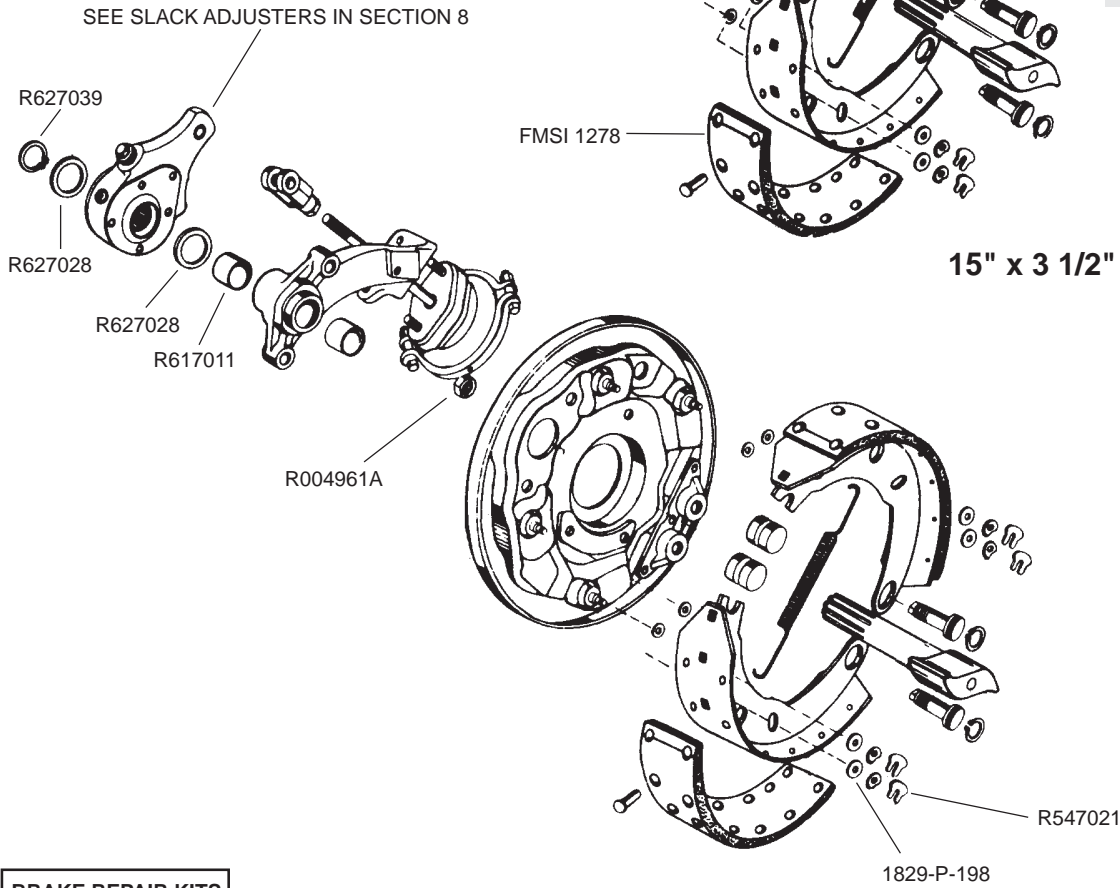
| Part | Page |
|----------------------|------|
| 1199-A-625 | 3-2 |
| 1218-G-85 | 3-15 |
| 1225-F-266 | 3-10 |
| 1246-G-475 | 3-3 |
| 1718-Y-103 | 3-4 |
| 2258-P-354 | 3-13 |
| 2258-Z-416 | 3-13 |
| 2297-T-7222 | 3-1 |
| A1-3236-A-1249 | 6-2 |
| R4515P | 4-6 |



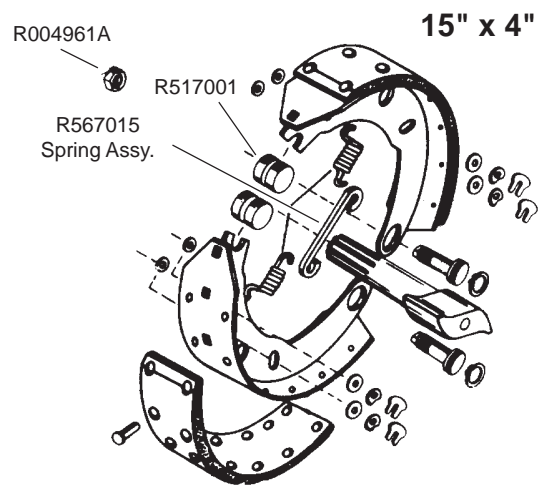
WAGNER 15" DIAMETER BRAKES

FRONT AXLE

| Part | Page |
|------------------|------|
| 1829-P-198 | 5-1 |
| R004961A | 2-11 |
| R507073 | 2-11 |
| R517001 | 3-1 |
| R547021 | 2-11 |
| R627028 | 7-59 |
| R627039 | 7-63 |

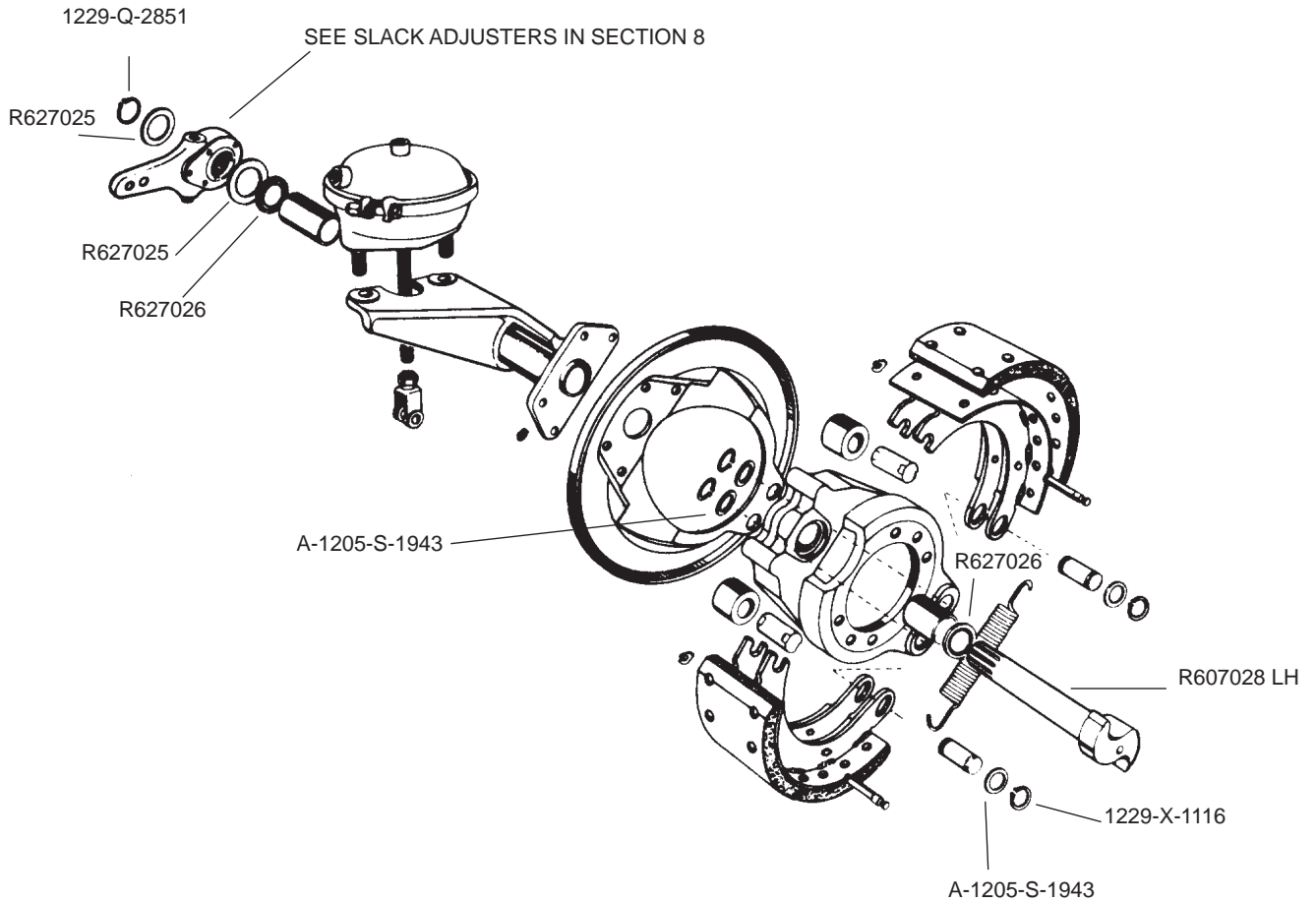


BRAKE REPAIR KITS
 For 15" x 4" use
R507073



WAGNER 15" DIAMETER BRAKES

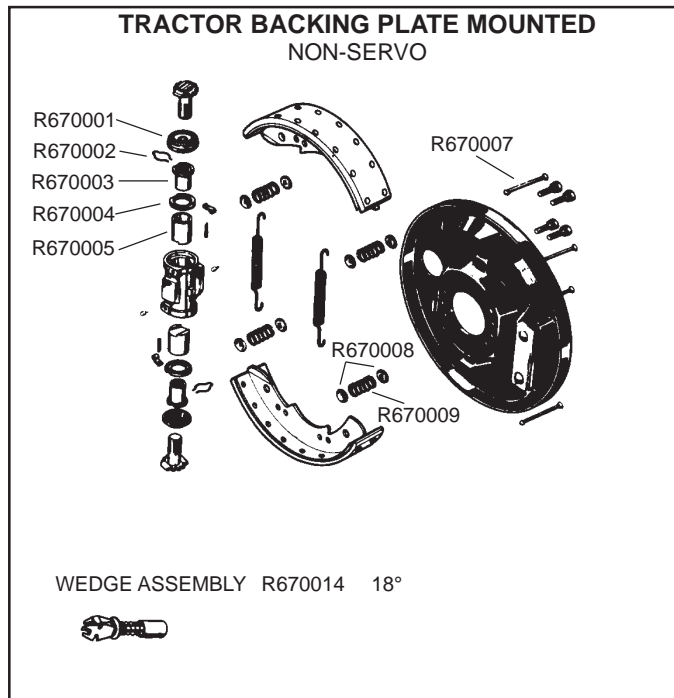
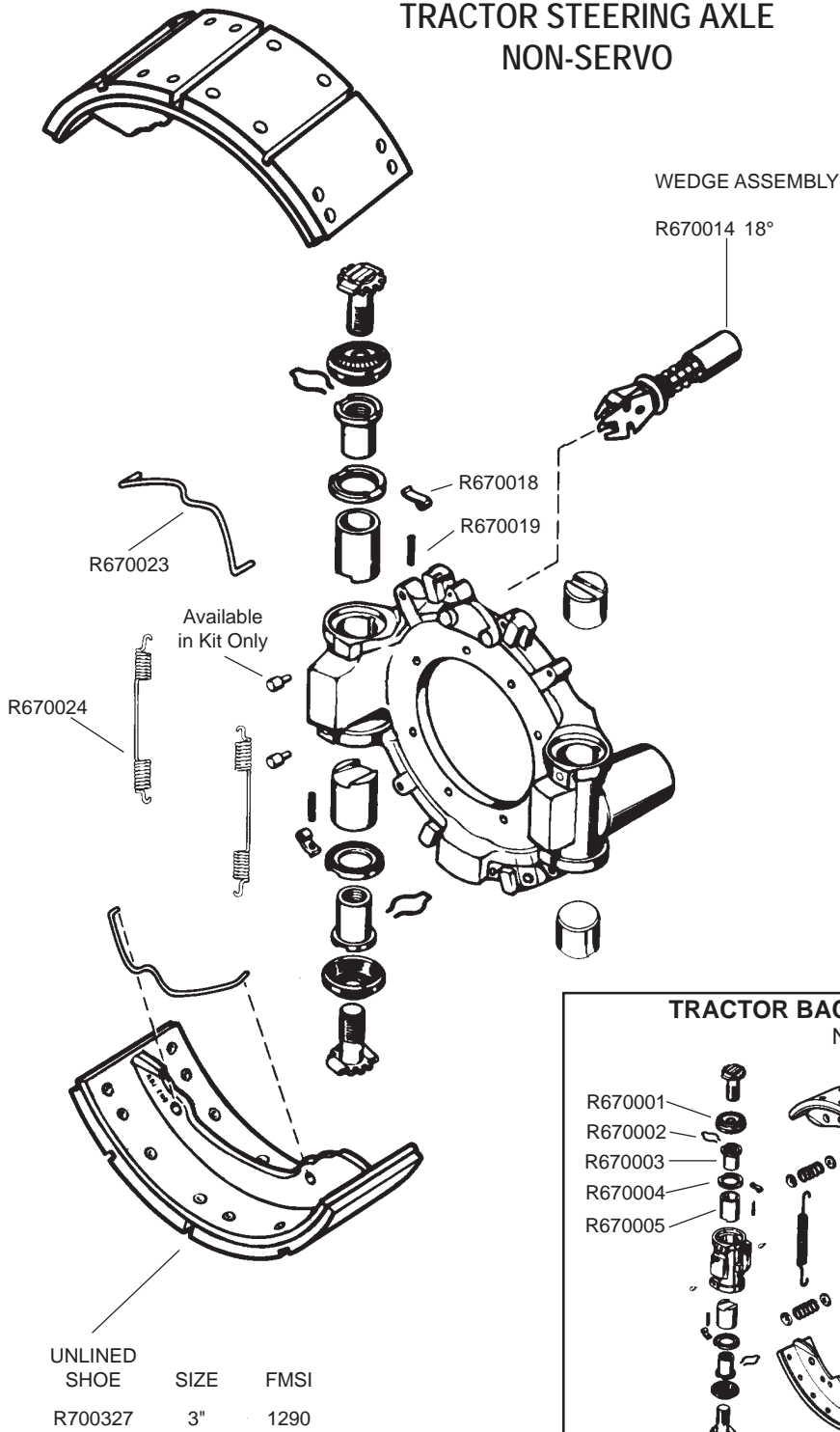
| Part | Page |
|---------------------|------|
| 1229-Q-2851 | 7-63 |
| 1229-X-1116 | 3-9 |
| A-1205-S-1943 | 7-70 |
| R607028 | 7-40 |
| R627025 | 7-61 |
| R627026 | 7-71 |



BENDIX 15" DIAMETER WEDGE BRAKES

TRACTOR STEERING AXLE NON-SERVO

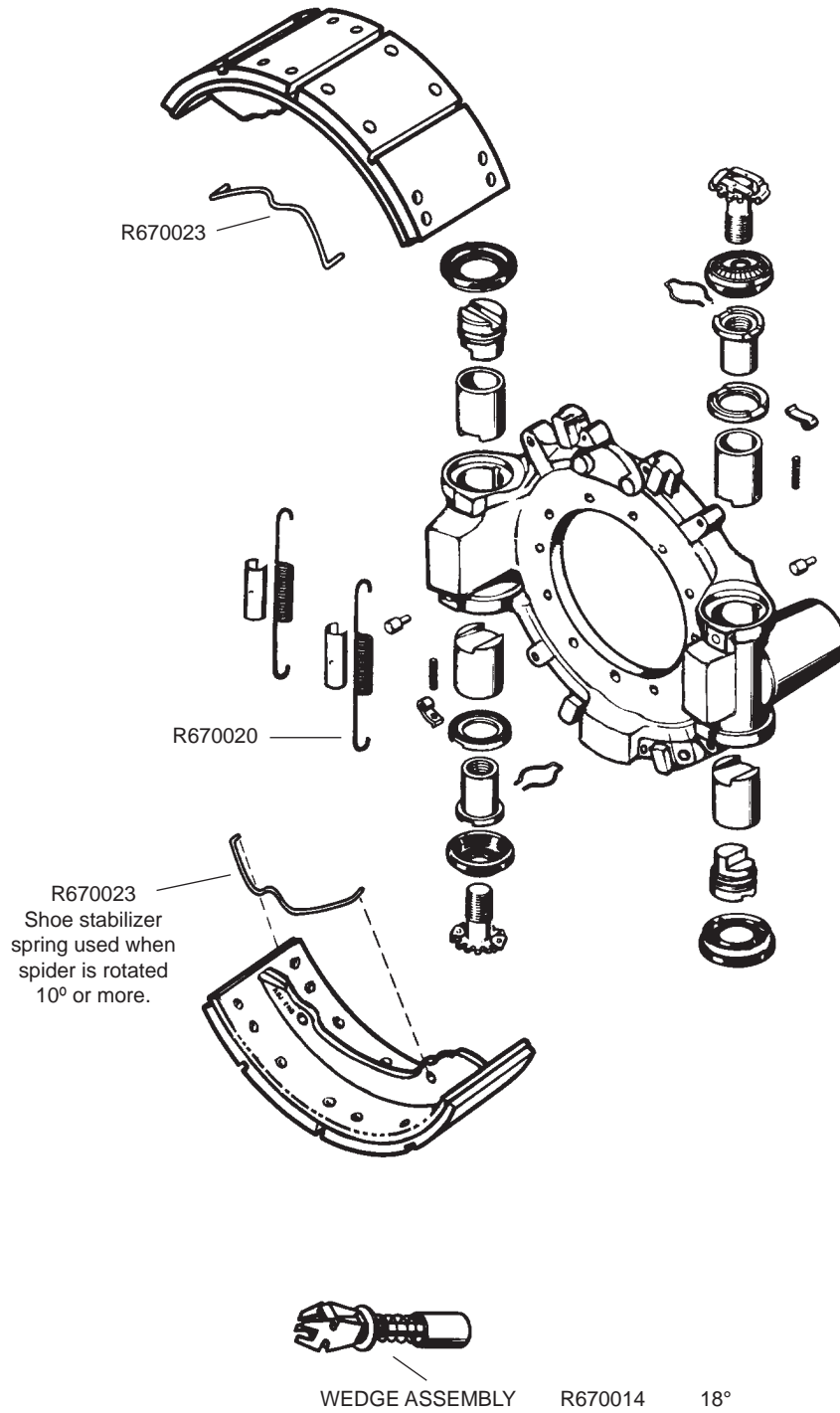
| Part | Page |
|---------------|-------|
| R670001 | 10-1 |
| R670002 | 10-1 |
| R670003 | 10-1 |
| R670004 | 10-1 |
| R670005 | 10-1 |
| R670007 | 10-17 |
| R670008 | 10-17 |
| R670009 | 10-8 |
| R670014 | 10-14 |
| R670023 | 10-7 |
| R670024 | 10-7 |



BENDIX 15" DIAMETER WEDGE BRAKES

TRACTOR-TRAILER SPIDER MOUNTED BRAKE TWIN-PLEX

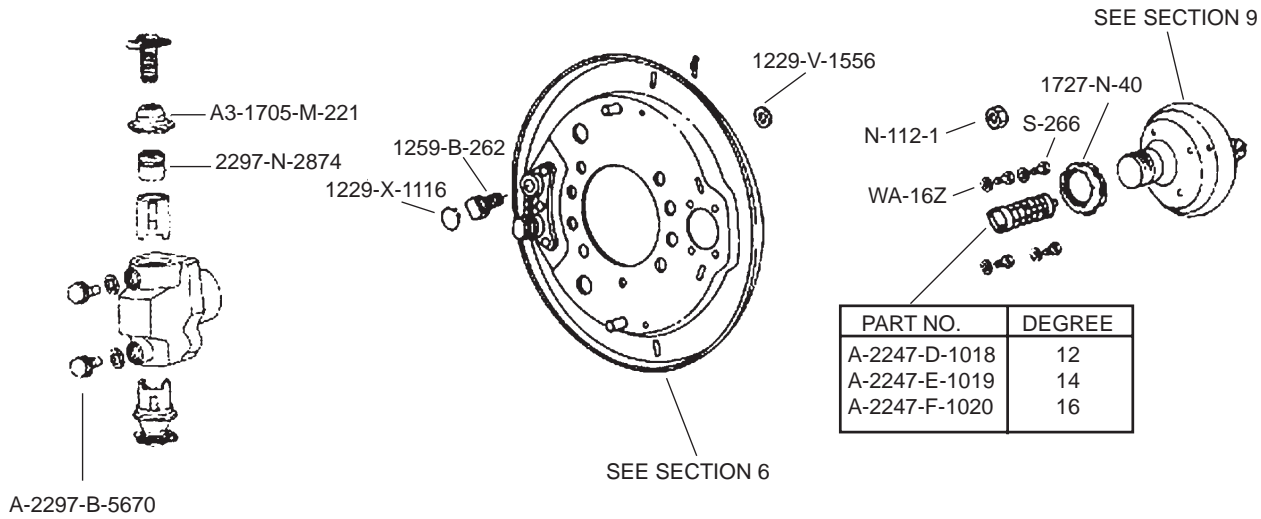
| Part | Page |
|---------------|-------|
| R670020 | 10-1 |
| R670023 | 10-7 |
| R670014 | 10-14 |



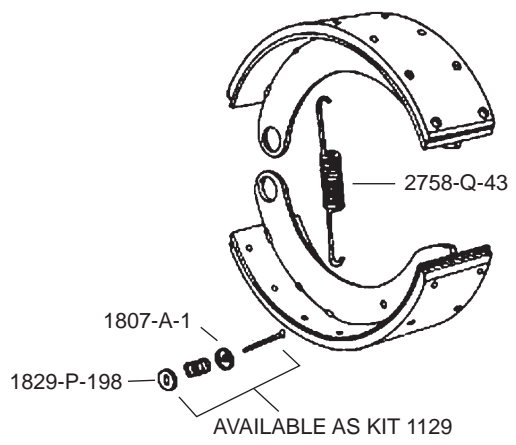
MERITOR RSA & RSH WEDGE BRAKES, BACKING PLATE MOUNTED WITH ANCHOR PINNED SHOES 15" x 3-1/2" & 4" POST-121 MODELS

For Brake Repair Kit
use
KIT 1191

| Part | Page |
|----------------------|--------------------------|
| 1229-V-1556 | 3-9 A-2247-E-1019..10-14 |
| 1229-X-1116 | 3-9 A-2247-F-1020..10-14 |
| 1259-B-262 | 3-5 A-2297-B-5670..10-10 |
| 1727-N-40 | 10-17 A3-1705-M-221 10-1 |
| 1807-A-1 | 10-17 KIT 1129 |
| 1829-P-198 | 10-15 KIT 1191 |
| 2297-N-2874 | 10-9 N-112-1 |
| 2758-Q-43 | 10-7 S266D |
| 2858-T-46 | 10-6 WA-16Z |
| A-2247-D-1018..10-14 | |



| PART NO. | DEGREE |
|---------------|--------|
| A-2247-D-1018 | 12 |
| A-2247-E-1019 | 14 |
| A-2247-F-1020 | 16 |



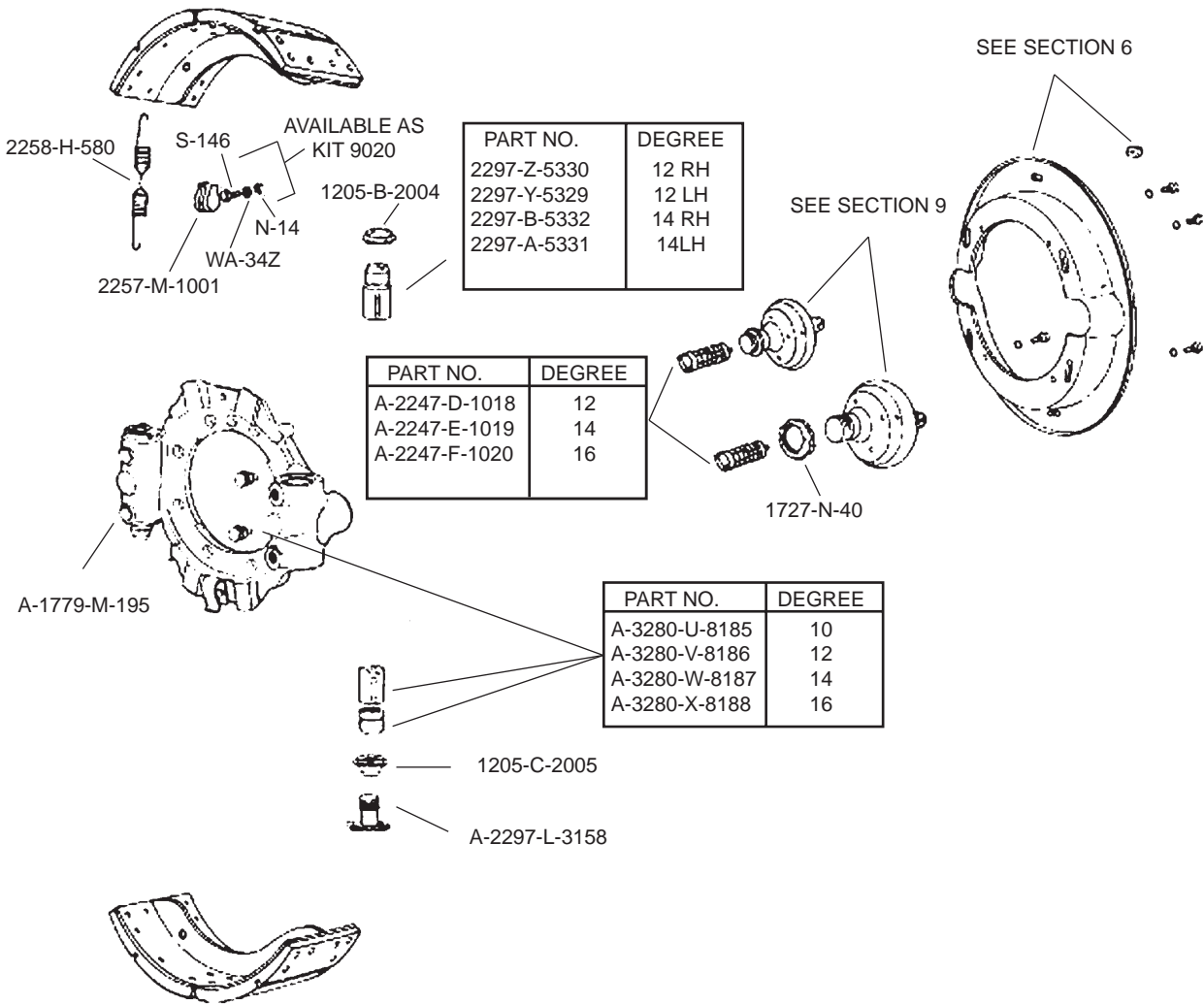
MERITOR RDA & RDH WEDGE BRAKES BOLTED-ON SPIDER 15" x 4", 5", 6" & 7"

For Major Brake Repair Kit use
KIT 9006LHB (12°)
KIT 9006RHB (12°)

For Minor Brake Repair Kit use
KIT 1106B (12°)

| Part | Page |
|-----------------------|-----------------------|
| 1205-B-2004 . 10-12 | A-3222-S-2021... 4-3 |
| 1205-C-2005 . 10-12 | A-3280-U-8185.. 10-11 |
| 1727-N-40..... 10-17 | A-3280-V-8186.. 10-11 |
| 2257-M-1001 10-18 | A-3280-W-8187.. 10-11 |
| 2258-H-580..... 10-7 | A-3280-X-8188.. 10-11 |
| 2297-A-5331 . 10-11 | A-3722-T-358.... 4-3 |
| 2297-B-5332 . 10-11 | KIT 1106B..... 10-2 |
| 2297-Y-5329 . 10-11 | KIT 9006LHB ... 10-2 |
| 2297-Z-5330 . 10-11 | KIT 9006RHB ... 10-2 |
| A-1779-M-19510-13 | KIT 9020..... 2-26 |
| A-2247-D-1018 10-14 | N-14 5-2 |
| A-2247-E-1019 10-14 | S-146..... 5-ii |
| A-2247-F-1020 10-14 | WA-34Z 5-1 |
| A-2297-L-3158... 10-9 | |

| UNLINED SHOE | SIZE | FMSI |
|---------------|------|-------|
| A-3722-T-358 | 5" | 4615D |
| A-3222-S-2021 | 7" | 4602 |



MERITOR RDC WEDGE BRAKES

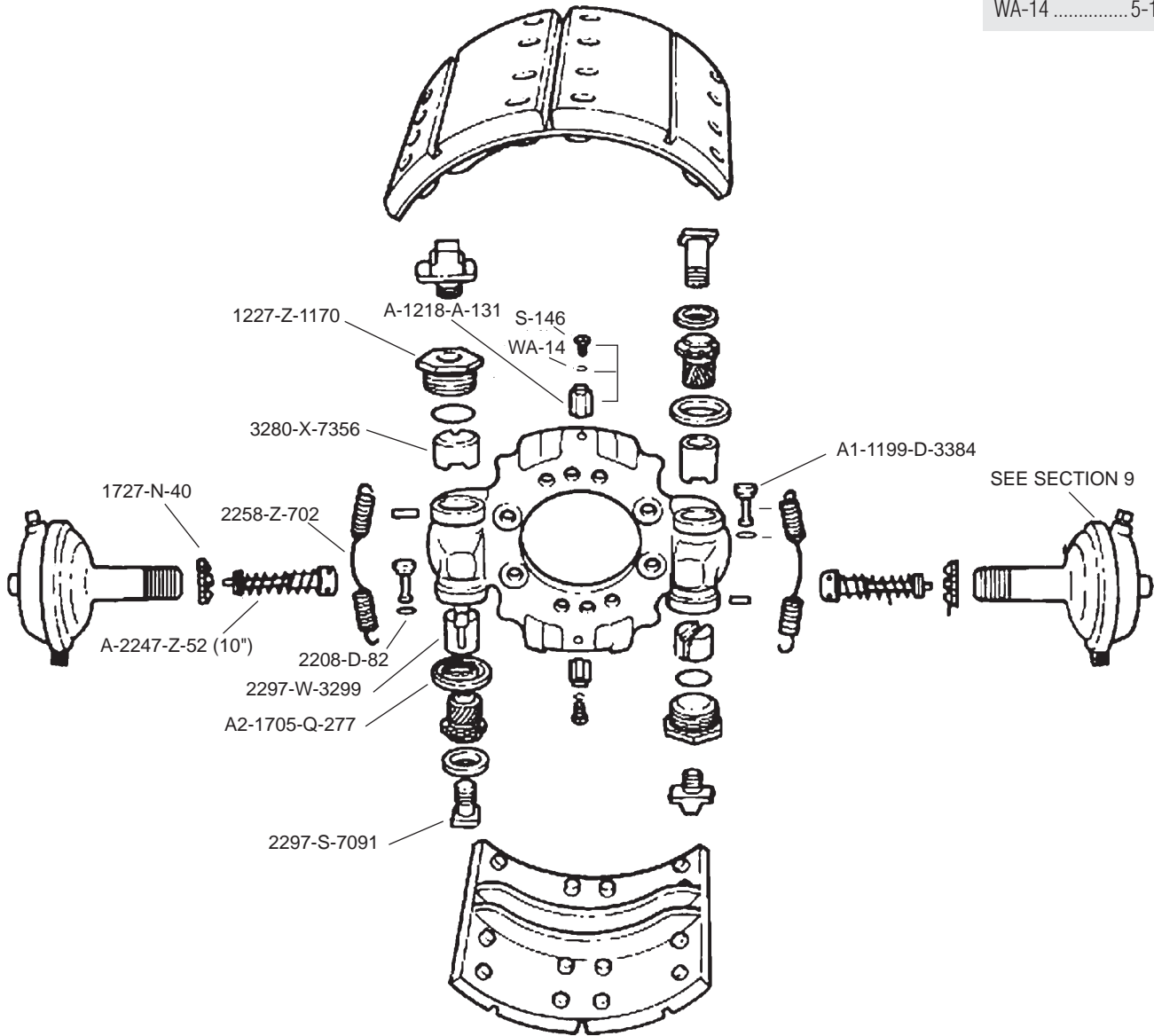
FOR COACH APPLICATIONS 15-1/8" x 6" & 10"

(FOR MORE DETAIL, SEE CATALOG PB-9165)

For Major Brake Repair Kit
use
KIT 1134

| Part | Page |
|------------------|-------|
| 1227-Z-1170 ... | 10-4 |
| 1727-N-40 | 10-17 |
| 2208-D-82 | 10-16 |
| 2258-Z-702 | 10-4 |
| 2297-S-7091 ... | 10-9 |
| 2297-W-3299 .. | 10-4 |
| 3280-X-7356 ... | 10-4 |
| A-1218-A-131 .. | 10-19 |
| A1-1199-D-3384.. | 10-4 |
| A-2247-Z-52.... | 10-4 |
| A-3222-N-1314 . | 4-3 |
| A-3222-Q-1317 . | 4-3 |
| A2-1705-Q-277 . | 10-4 |
| KIT 1134 | 10-4 |
| S-146..... | 5-ii |
| WA-14 | 5-1 |

| UNLINED SHOE | SIZE | FMSI |
|---------------|------|------|
| A-3222-N-1314 | 6" | 4665 |
| A-3222-Q-1317 | 10" | 4666 |



SECTION 2

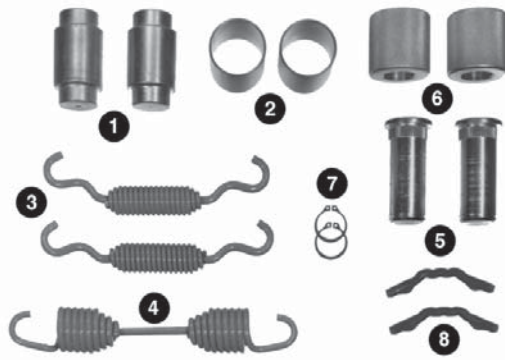
INDEX

| | |
|--|-------------|
| Brake Repair Kits | 2-ii |
| Brake Shoe Hold-Down Kits | 2-26 |

BRAKE REPAIR KITS

R507095

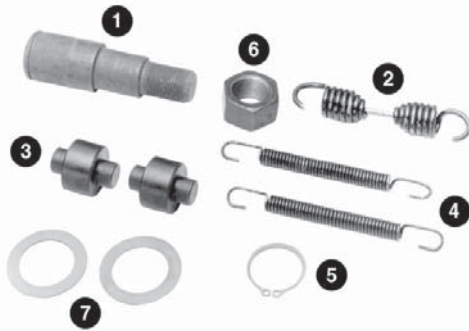
Dexter 12-1/4" PQ



| ITEM | QTY | PART NUMBER | DESCRIPTION | APPLICATION INFORMATION |
|------|-----|-------------|--------------------|--|
| 1 | 2 | 1259-N-274 | Anchor Pin | Trailer axle. For use with Dexter 12-1/4" "PQ" brake shoes. Services 1 brake. Replaces: E10875, HK1225DX, K353, K369, LB3D |
| 2 | 2 | 1225-B-496 | Anchor Pin Bushing | |
| 3 | 2 | 2258-Q-615 | Retainer Spring | |
| 4 | 1 | R567005 | Return Spring | |
| 5 | 2 | R517506 | Roller Pin | |
| 6 | 2 | R517003 | Roller | |
| 7 | 2 | 1229-T-3166 | Snap Ring | |
| 8 | 2 | 1218-G-85 | Return Spring Pin | |

R507000

Eaton 12-1/4"



| ITEM | QTY | PART NUMBER | DESCRIPTION | APPLICATION INFORMATION |
|------|-----|-------------|---------------|--|
| 1 | 1 | R537003 | Anchor Pin | Trailer axle. For fabricated shoes. Single anchor pin. Services 1 brake. Replaces: 40A, E2126, HK1225E, K106, LB4, MK46, TA40A |
| 2 | 1 | R567004 | Return Spring | |
| 3 | 2 | R517005 | Roller | |
| 4 | 2 | R567003 | Anchor Spring | |
| 5 | 1 | 1229-Z-1118 | Snap Ring | |
| 6 | 1 | R587001 | Locknut | |
| 7 | 2 | 1229-R-122 | Spacer Washer | |

R507005

Fruehauf (Pro-Par®) 12-1/4"



| ITEM | QTY | PART NUMBER | DESCRIPTION | APPLICATION INFORMATION |
|------|-----|-------------|-------------------|--|
| 1 | 2 | 1259-N-170 | Anchor Pin | Trailer axle. For fabricated shoes. Double anchor pin. Services 1 brake. Replaces: 41A, E2286, HK1225F, K105, LB5, MK47, TA41A |
| 2 | 1 | R567002 | Return Spring | |
| 3 | 2 | R517002 | Roller | |
| 4 | 2 | R527001 | Roller Retainer | |
| 5 | 2 | 1218-G-85 | Return Spring Pin | |
| 6 | 2 | 1199-E-1695 | Drive Pin | |
| 7 | 2 | 1225-S-1267 | Bushing | |

KIT 8004

Meritor 12-1/4" Q



| ITEM | QTY | PART NUMBER | DESCRIPTION | APPLICATION INFORMATION |
|------|-----|-------------|--------------------|---|
| 1 | 2 | 1259-N-274 | Anchor Pin | Trailer axle. All post-121 trailer axles using standard shoes and bushed or non-bushed spiders. Services 1 brake. Replaces: 44A, E3484, HK1225Q, K154, MK45 |
| 2 | 1 | 2258-B-704 | Return Spring | |
| 3 | 2 | 2258-Q-615 | Retainer Spring | |
| 4 | 2 | 2297-C-5021 | Roller | |
| 5 | 2 | 1225-B-496 | Anchor Pin Bushing | |
| 6 | 2 | 1218-G-85 | Return Spring Pin | |
| 7 | 2 | 1246-F-1020 | Roller Pin | |
| 8 | 4 | 1229-T-3166 | Snap Ring | |

BRAKE REPAIR KITS

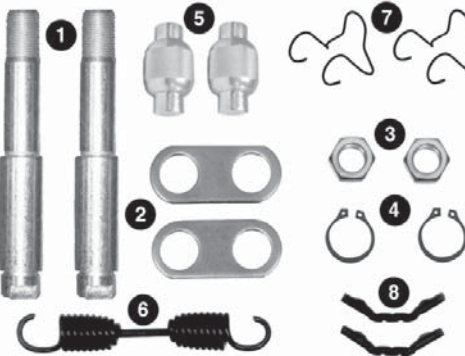
R507074 Spicer 12-1/4" Cam



| ITEM | QTY | PART NUMBER | DESCRIPTION |
|------|-----|-------------|-------------------|
| 1 | 2 | R537001 | Anchor Pin |
| 2 | 4 | R547003 | Anchor Pin Washer |
| 3 | 4 | R547004 | Snap Ring |
| 4 | 2 | 2297-T-7222 | Brake Shoe Roller |
| 5 | 1 | 2258-V-256 | Return Spring |
| 6 | 2 | R557001 | Bushing |
| 7 | 2 | 1718-Y-103 | Roller Retainer |
| 8 | 2 | 1218-G-85 | Return Spring Pin |

APPLICATION INFORMATION
Trailer axle. For use with original "Fast Rise" camshafts only. Fabricated shoes. Services 1 brake. Replaces: E3373HD, HK1225D51, K277, LB2

R507075 Spicer 12-1/4" Cam



| ITEM | QTY | PART NUMBER | DESCRIPTION |
|------|-----|-------------|-------------------|
| 1 | 2 | R547016 | Anchor Pin |
| 2 | 2 | R547001 | Link |
| 3 | 2 | R547012 | Jam Nut |
| 4 | 2 | 1229-M-221 | Washer |
| 5 | 2 | 2297-T-7222 | Brake Shoe Roller |
| 6 | 1 | R567005 | Return Spring |
| 7 | 2 | 1718-Y-103 | Roller Retainer |
| 8 | 2 | 1218-G-85 | Return Spring Pin |

APPLICATION INFORMATION
Trailer axle. For use with original "Fast Rise" camshafts only. Contains anchor pin that allows fabricated steel shoes to be used with Standard Forge bolt on spider for cast shoes. Services 1 brake. Replaces: E3374HD, K288

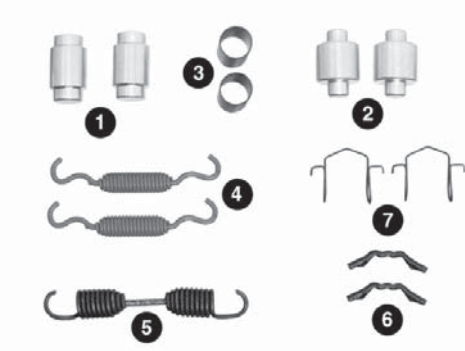
R507088 Spicer 12-1/4" Cam



| ITEM | QTY | PART NUMBER | DESCRIPTION |
|------|-----|-------------|-------------------|
| 1 | 2 | R537001 | Anchor Pin |
| 2 | 4 | R547003 | Anchor Pin Washer |
| 3 | 4 | R547004 | Snap Ring |
| 4 | 2 | 1779-D-82 | Roller |
| 5 | 1 | 2258-V-256 | Return Spring |
| 6 | 2 | R557001 | Bushing |
| 7 | 2 | 1718-Y-103 | Roller Retainer |
| 8 | 2 | 1218-G-85 | Return Spring Pin |

APPLICATION INFORMATION
Trailer axle. Same as kit R507074 except uses 1-1/2" rollers. For use with new style, "High-Lift" camshafts. Services 1 brake. Replaces: E9281, HK1225D52, K335, LB9, MK80

R507092 Spicer 12-1/4" Cam



| ITEM | QTY | PART NUMBER | DESCRIPTION |
|------|-----|-------------|--------------------|
| 1 | 2 | 1259-N-274 | Anchor Pin |
| 2 | 2 | 1779-D-82 | Roller |
| 3 | 2 | R547008 | Anchor Pin Bushing |
| 4 | 2 | 2258-Q-615 | Retainer Spring |
| 5 | 1 | 2258-V-256 | Return Spring |
| 6 | 2 | 1218-G-85 | Return Spring Pin |
| 7 | 2 | 1718-Y-103 | Roller Retainer |

APPLICATION INFORMATION
Trailer axle. This 12-1/4 brake utilizes many components used on the standard 16-1/2 "Fast Change" Brake. For use on Post 11/1/96 spiders that use stepped anchor pins (Spicer 7-1/2" Brake shoe number M12WN127-X). For use with "0794" camshafts only. Services 1 brake. Replaces: E10756, K373, LB10

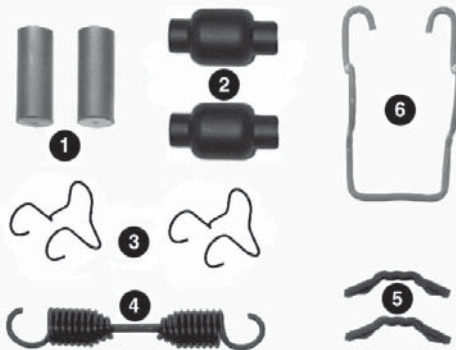
BRAKE REPAIR KITS

R507093 Spicer 12-1/4" Cam



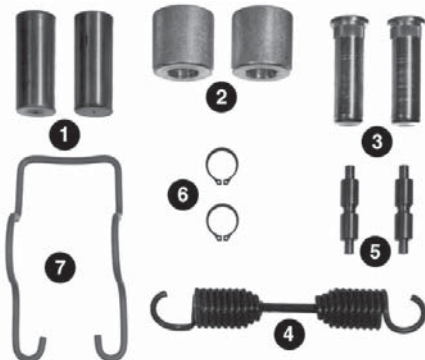
| ITEM | QTY | PART NUMBER | DESCRIPTION | APPLICATION INFORMATION |
|------|-----|-------------|-------------------|---|
| 1 | 2 | R537001 | Anchor Pin | Trailer axle. Retrofit kit for use on Spicer 7-1/2" brake shoe number M12WN127-X on pre 11/1/96 spiders that use straight anchor pins. For use with "0794" camshafts only. Fabricated shoes. Services 1 brake. Replaces: E10757, LB11 |
| 2 | 2 | 1779-D-82 | Roller | |
| 3 | 2 | R557001 | Bushing | |
| 4 | 4 | R547003 | Anchor Pin Washer | |
| 5 | 4 | R547004 | Snap Ring | |
| 6 | 2 | 2258-Q-615 | Retainer Spring | |
| 7 | 1 | 2258-V-256 | Return Spring | |
| 8 | 2 | 1218-G-85 | Return Spring Pin | |
| 9 | 2 | 1718-Y-103 | Roller Retainer | |

R507076 Spicer 12-1/4" U



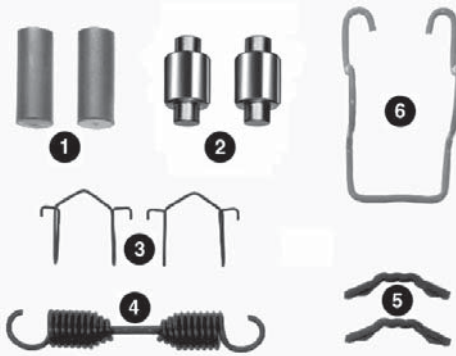
| ITEM | QTY | PART NUMBER | DESCRIPTION | APPLICATION INFORMATION |
|------|-----|-------------|-------------------|---|
| 1 | 2 | R547010 | Anchor Pin | Trailer axle. New Style "U" Brake. For use with original "Fast Rise" camshafts only. Services 1 brake. Replaces: 47A, CQ69002, E3782, HK1225DU, K137, K279, LB6, MK83 |
| 2 | 2 | 2297-T-7222 | Brake Shoe Roller | |
| 3 | 2 | 1718-Y-103 | Roller Retainer | |
| 4 | 1 | R567005 | Return Spring | |
| 5 | 2 | 1218-G-85 | Return Spring Pin | |
| 6 | 1 | R547011 | Retainer Clip | |

R507078 Spicer 12-1/4" U



| ITEM | QTY | PART NUMBER | DESCRIPTION | APPLICATION INFORMATION |
|------|-----|-------------|---------------|--|
| 1 | 2 | R547010 | Anchor Pin | Trailer axle. Old Style "U" Brake. Services 1 brake. Replaces: E5306, HK1225DU53, LB7, MK104 |
| 2 | 2 | R517003 | Roller | |
| 3 | 2 | R517506 | Roller Pin | |
| 4 | 1 | 2258-V-256 | Return Spring | |
| 5 | 2 | R577001 | Pin Spring | |
| 6 | 2 | 1229-T-3166 | Snap Ring | |
| 7 | 1 | R547011 | Retainer Clip | |

R507090 Spicer 12-1/4" U



| ITEM | QTY | PART NUMBER | DESCRIPTION | APPLICATION INFORMATION |
|------|-----|-------------|-------------------|---|
| 1 | 2 | R547010 | Anchor Pin | Trailer axle. Same as kit R507076 except uses 1-1/2" rollers. For use with new style, "High-Lift" camshafts. Services 1 brake. Replaces: E9283, HK1225DU54, K336, LB8 |
| 2 | 2 | 1779-D-82 | Roller | |
| 3 | 2 | 1718-Y-103 | Roller Retainer | |
| 4 | 1 | 2258-V-256 | Return Spring | |
| 5 | 2 | 1218-G-85 | Return Spring Pin | |
| 6 | 1 | R547011 | Retainer Clip | |

BRAKE REPAIR KITS

R507014 Spicer and Std. Forge 12-1/4" Cam



| ITEM | QTY | PART NUMBER | DESCRIPTION | APPLICATION INFORMATION |
|------|-----|-------------|---------------|--|
| 1 | 2 | R537006 | Anchor Pin | Trailer axle. Cast shoes. Services 1 brake. Replaces: 42A, E2030HD, HK1225D, K62, M10LK105X, MK11, TA42A |
| 2 | 2 | R567011 | Return Spring | |
| 3 | 2 | 1199-A-625 | Roller | |
| 4 | 2 | 1246-G-475 | Roller Pin | |
| 5 | 2 | R547007 | Bushing | |
| 6 | 1 | R547005 | Link | |
| 7 | 2 | WA-116K | Washer | |
| 8 | 2 | 1229-M-221 | Washer | |
| 9 | 2 | S-843 | Set Screw | |
| 10 | 2 | R301107 | Nut | |

R507067 Spicer and Std. Forge 12-1/4" Cam



| ITEM | QTY | PART NUMBER | DESCRIPTION | APPLICATION INFORMATION |
|------|-----|-------------|--------------------|---|
| 1 | 2 | R547013 | Anchor Pin | Trailer axle. For old style cast brake shoe with flat head camshafts. Services 1 brake. Replaces: E1812, MK44 |
| 2 | 1 | R547005 | Link | |
| 3 | 2 | 1229-M-221 | Washer | |
| 4 | 2 | R547012 | Jam Nut | |
| 5 | 2 | R567011 | Return Spring | |
| 6 | 2 | R547007 | Bushing | |
| 7 | 2 | R547015 | Wear Plate & Screw | |

R507015 Std. Forge 12-1/4" Cam



| ITEM | QTY | PART NUMBER | DESCRIPTION | APPLICATION INFORMATION |
|------|-----|-------------|-------------------|---|
| 1 | 2 | R537001 | Anchor Pin | Trailer axle. Fabricated shoes. Services 1 brake. Replaces: 08107400, 22A, 43A, 52244, 52244B, CQ67398, E2402HD, HK1225SF, K352, K54, K69, KIT-1, KIT1, LB1, M12LK101X, M16LK100X, MK1, MK12, TA43A |
| 2 | 1 | R567005 | Return Spring | |
| 3 | 2 | R517506 | Roller Pin | |
| 4 | 4 | R547004 | Snap Ring | |
| 5 | 4 | R547003 | Anchor Pin Washer | |
| 6 | 2 | R517003 | Roller | |
| 7 | 2 | R577001 | Pin Spring | |
| 8 | 2 | R557001 | Bushing | |
| 9 | 4 | 1229-T-3166 | Snap Ring | |

R507068 Std. Forge 12-1/4" Cam



| ITEM | QTY | PART NUMBER | DESCRIPTION | APPLICATION INFORMATION |
|------|-----|-------------|---------------|--|
| 1 | 2 | R547016 | Anchor Pin | Trailer axle. Contains anchor pin that allows fabricated steel shoes to be used with Standard Forge bolt on spider for cast shoes. Services 1 brake. Replaces: 08107500, 45A, E2403HD, HK1225SF55, K50, MK43 |
| 2 | 2 | R547001 | Link | |
| 3 | 2 | R547012 | Jam Nut | |
| 4 | 2 | 1229-M-221 | Washer | |
| 5 | 2 | R517003 | Roller | |
| 6 | 2 | R517506 | Roller Pin | |
| 7 | 2 | 1229-T-3166 | Snap Ring | |
| 8 | 1 | R567005 | Return Spring | |
| 9 | 2 | R577001 | Pin Spring | |

BRAKE REPAIR KITS

KIT 6000

Meritor 14-1/2" W



| ITEM | QTY | PART NUMBER | DESCRIPTION | APPLICATION INFORMATION |
|------|-----|---------------|----------------------|---------------------------------|
| 1 | 2 | 1259-X-76 | Anchor Pin | Coach brakes. Services 1 brake. |
| 2 | 2 | 2258-J-1440 | Return Spring | |
| 3 | 2 | 1225-R-512 | Cam Bushing | |
| 4 | 2 | A-1205-F-136 | Cam Oil Seal | |
| 5 | 1 | 1229-J-478 | Washer | |
| 6 | 1 | A-1205-E-2163 | Inner Wheel Oil Seal | |

KIT 6003

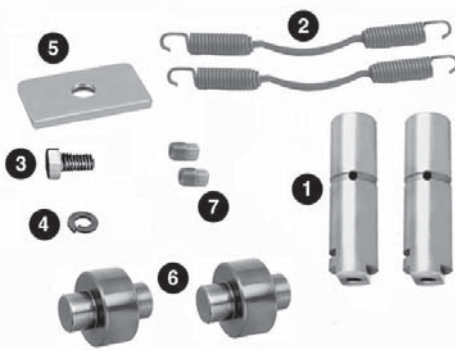
Meritor 14-1/2" W



| ITEM | QTY | PART NUMBER | DESCRIPTION | APPLICATION INFORMATION |
|------|-----|-------------|----------------------|---|
| 1 | 1 | 2258-J-400 | Return Spring | Coach W series, Type 2 brakes. Services 1 brake. Replaces: BK145R, E10870 |
| 2 | 2 | 1779-L-116 | Roller | |
| 3 | 2 | 26-X-143 | Anchor Pin Set Screw | |
| 4 | 4 | 1218-Z-52 | Anchor Pin Lock Ring | |
| 5 | 2 | 1259-L-194 | Anchor Pin | |
| 6 | 2 | 1225-X-440 | Bushing | |

KIT 6004

Meritor 14-1/2" W

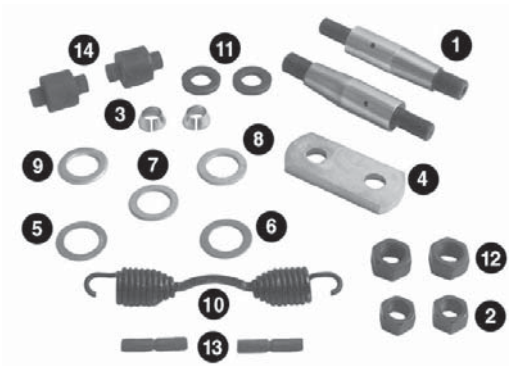


| ITEM | QTY | PART NUMBER | DESCRIPTION | APPLICATION INFORMATION |
|------|-----|-------------|-------------------|--|
| 1 | 2 | 1259-X-76 | Anchor Pin | Coach brakes. Services 1 brake. Replaces: BK145F, E10841 |
| 2 | 2 | 2258-J-1440 | Return Spring | |
| 3 | 1 | S-258-2 | Bolt | |
| 4 | 1 | WA-15Z | Lockwasher | |
| 5 | 1 | 1229-D-108 | Washer | |
| 6 | 2 | 1779-J-114 | Brake Shoe Roller | |
| 7 | 2 | P-12 | Plug | |

BRAKE REPAIR KITS

KIT 6005

Meritor 14-1/2" W



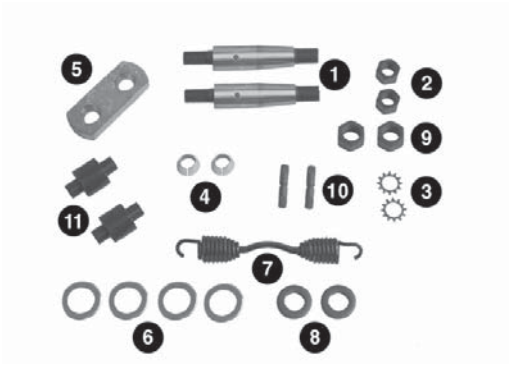
| ITEM | QTY | PART NUMBER | DESCRIPTION |
|------|-----|-------------|-------------------|
| 1 | 2 | 1259-P-198 | Anchor Pin |
| 2 | 2 | N-112-1 | Nut |
| 3 | 2 | 1246-L-350 | Dowel |
| 4 | 1 | 1245-E-161 | Link |
| 5 | 1 | 1229-C-1563 | Washer - .031" |
| 6 | 1 | 1229-Q-433 | Washer - .063" |
| 7 | 1 | 1229-E-1565 | Spacer - .094" |
| 8 | 1 | 1229-F-1566 | Spacer - .125" |
| 9 | 1 | 1229-G-1567 | Spacer - .156" |
| 10 | 1 | 2258-J-400 | Return Spring |
| 11 | 2 | 1229-T-1554 | Washer |
| 12 | 2 | N-114-1 | Nut |
| 13 | 2 | 1246-R-382 | Brake Shoe Pin |
| 14 | 2 | 1779-X-180 | Brake Shoe Roller |

APPLICATION INFORMATION

Coach brakes.
Services 1 brake.

KIT 6008

Meritor 14-1/2" W



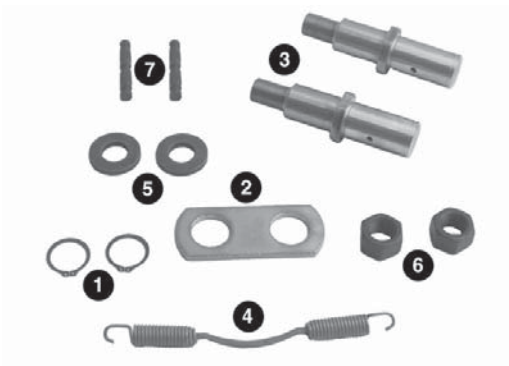
| ITEM | QTY | PART NUMBER | DESCRIPTION |
|------|-----|-------------|-------------------|
| 1 | 2 | 1259-P-198 | Anchor Pin |
| 2 | 2 | N-112-1 | Nut |
| 3 | 2 | 1229-U-593 | Lockwasher |
| 4 | 2 | 1246-L-350 | Dowel |
| 5 | 1 | 1245-E-161 | Link |
| 6 | 4 | 1229-G-1567 | Spacer - .156" |
| 7 | 1 | 2258-J-400 | Return Spring |
| 8 | 2 | 1229-T-1554 | Washer |
| 9 | 2 | N-114-1 | Nut |
| 10 | 2 | 1246-R-382 | Brake Shoe Pin |
| 11 | 2 | 1779-U-593 | Brake Shoe Roller |

APPLICATION INFORMATION

Coach brakes, Type 3.
Services 1 brake.

KIT 6010

Meritor 14-1/2" W



| ITEM | QTY | PART NUMBER | DESCRIPTION |
|------|-----|-------------|---------------|
| 1 | 2 | 1229-X-1116 | Snap Ring |
| 2 | 1 | 1245-N-144 | Link |
| 3 | 2 | 1259-W-205 | Anchor Pin |
| 4 | 1 | 2258-J-1440 | Return Spring |
| 5 | 2 | 1229-U-1555 | Washer |
| 6 | 2 | N-114-1 | Nut |
| 7 | 2 | 1746-U-47 | Dowel |

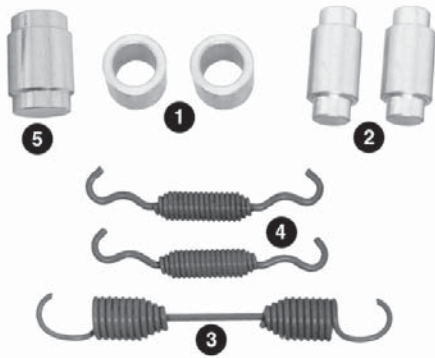
APPLICATION INFORMATION

Coach brakes.
Services 1 brake.

BRAKE REPAIR KITS

R507080

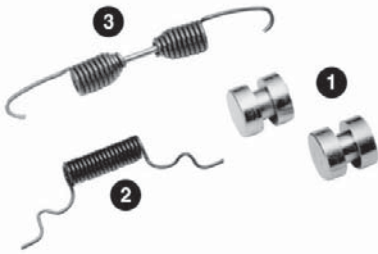
Bendix 15" Cam



| ITEM | QTY | PART NUMBER | DESCRIPTION | APPLICATION INFORMATION |
|------|-----|---------------------|-----------------|--|
| 1 | 2 | Not Sold Separately | Roller | Front steering axle. Ford Cargo. Services 1 brake. Replaces: 104627, E7231, FF1, HK1500B, K297, MK94 |
| 2 | 2 | Not Sold Separately | Roller Pin | |
| 3 | 1 | Not Sold Separately | Return Spring | |
| 4 | 2 | Not Sold Separately | Retainer Spring | |
| 5 | 1 | Not Sold Separately | Anchor Pin | |

**MKT 1308E
MKT 1308EB**

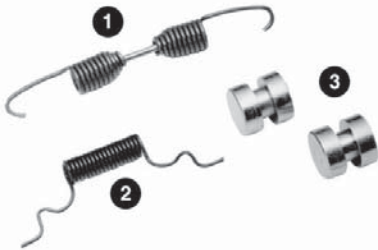
**Eaton 15"
(Bagged)**



| ITEM | QTY | PART NUMBER | DESCRIPTION | APPLICATION INFORMATION |
|------|-----|---------------------|-------------------|--|
| 1 | 1 | Not Sold Separately | Brake Shoe Roller | Front brakes. Replaces: E1308E, MK77, K263, 08-1130, 08-1113, 08-111300, EF-1, HK1308E |
| 2 | 1 | Not Sold Separately | Retainer Spring | |
| 3 | 1 | Not Sold Separately | Return Spring | |

R507004

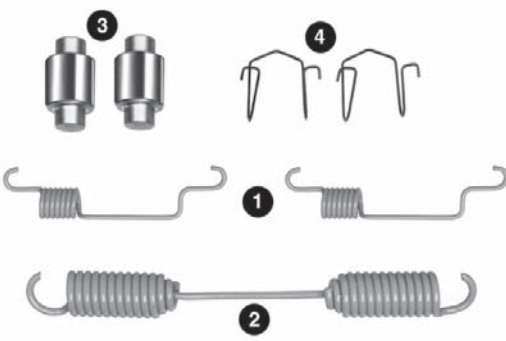
Eaton 15"



| ITEM | QTY | PART NUMBER | DESCRIPTION | APPLICATION INFORMATION |
|------|-----|----------------|-----------------|---|
| 1 | 1 | R567009 | Return Spring | Front steering axle. Single anchor pin front brake. Services 1 brake. Replaces: 1008306, 52242, 52242B, 54A, E5139, EF1, HK1308E, K263, MK77, TA54A |
| 2 | 2 | R567501 | Retainer Spring | |
| 3 | 2 | R517001 | Roller | |

R615026

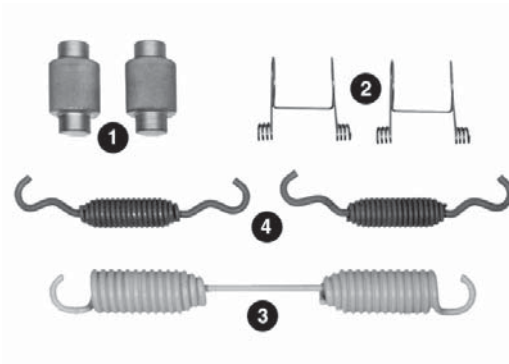
Eaton 15"



| ITEM | QTY | PART NUMBER | DESCRIPTION | APPLICATION INFORMATION |
|------|-----|---------------------|-----------------|--|
| 1 | 2 | Not Sold Separately | Retainer Spring | Front steer axle. Single anchor pin front brake. Services 1 brake. |
| 2 | 1 | Not Sold Separately | Return Spring | |
| 3 | 2 | Not Sold Separately | Roller | |
| 4 | 2 | Not Sold Separately | Roller Retainer | |

BRAKE REPAIR KITS

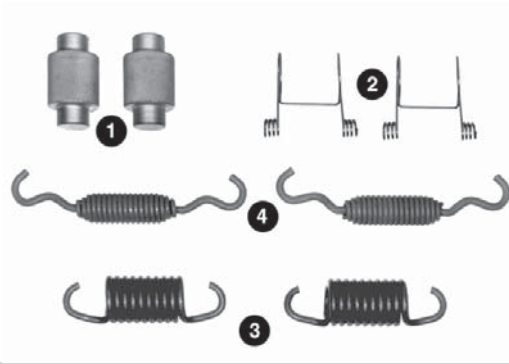
R507083 Eaton 15" ES



| ITEM | QTY | PART NUMBER | DESCRIPTION |
|------|-----|-------------|-----------------|
| 1 | 2 | R517510 | Roller |
| 2 | 2 | 1718-Y-103 | Roller Retainer |
| 3 | 1 | R567013 | Return Spring |
| 4 | 2 | 2258-Q-615 | Retainer Spring |

APPLICATION INFORMATION
 Drive axle. Reduced Envelope. Services 1 brake. Replaces: 815626, E9039, ES4, HK4717E, K358

R507086 Eaton 15" ES



| ITEM | QTY | PART NUMBER | DESCRIPTION |
|------|-----|-------------|-----------------|
| 1 | 2 | R517510 | Roller |
| 2 | 2 | 1718-Y-103 | Roller Retainer |
| 3 | 2 | R567012 | Return Spring |
| 4 | 2 | 2258-Q-615 | Retainer Spring |

APPLICATION INFORMATION
 Front steering axle. Reduced Envelope. Services 1 brake. Replaces: 823141, E9141, ES3, HK4716E, K356

KIT 8021 Meritor 15" Q



| ITEM | QTY | PART NUMBER | DESCRIPTION |
|------|-----|---------------|-----------------|
| 1 | 2 | 1199-G-3725 | Roller |
| 2 | 2 | 1229-V-1504 | Washer |
| 3 | 2 | NL-112-1 | Locknut |
| 4 | 2 | 2257-U-1061 | Hold Down Clip |
| 5 | 2 | 2257-T-1060 | Hold Down Clip |
| 6 | 2 | S-248 | Capscrew |
| 7 | 2 | N-34 | Nut |
| 8 | 1 | 2258-K-1181 | Return Spring |
| 9 | 1 | 2258-E-1123 | Retainer Spring |
| 10 | 2 | 1225-R-1136 | Bushing |
| 11 | 2 | A-1205-D-2110 | Seal |
| 12 | 1 | 2205-P-1004 | Plate |
| 13 | 2 | 1199-G-3725 | Roller |

APPLICATION INFORMATION
 Front steering axles. Minor overhaul kit. Services 1 brake.

BRAKE REPAIR KITS

KIT 8029

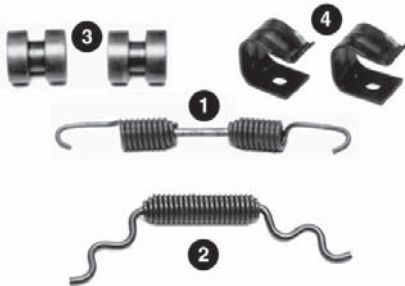
Meritor 15" Q



| ITEM | QTY | PART NUMBER | DESCRIPTION | APPLICATION INFORMATION |
|------|-----|-------------|-----------------|---|
| 1 | 2 | 1259-X-1012 | Anchor Pin | Front steering axles. Hardware kit for Meritor front (steering) axle Q brakes. Services 1 brake. Replaces: E3869, K283, MK79 |
| 2 | 1 | 2258-K-1181 | Return Spring | |
| 3 | 1 | 2258-E-1123 | Retainer Spring | |
| 4 | 2 | 1199-G-3725 | Roller | |
| 5 | 2 | NL-112-1 | Locknut | |
| 6 | 2 | 1229-V-1504 | Washer | |
| 7 | 1 | 2205-P-1004 | Plate | |

KIT 8029A

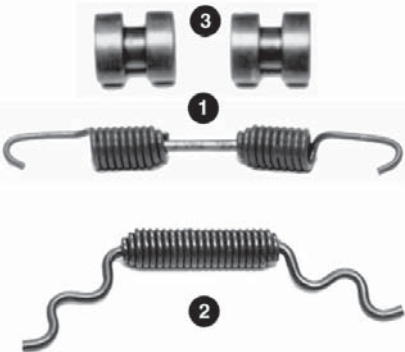
Meritor 15" Q



| ITEM | QTY | PART NUMBER | DESCRIPTION | APPLICATION INFORMATION |
|------|-----|-------------|-----------------|--|
| 1 | 1 | 2258-K-1181 | Return Spring | Front (steering) axle. Services 1 brake. |
| 2 | 1 | 2258-E-1123 | Retainer Spring | |
| 3 | 2 | 1199-G-3725 | Roller | |
| 4 | 2 | 2257-T-1060 | Hold Down Clip | |

KIT 8061

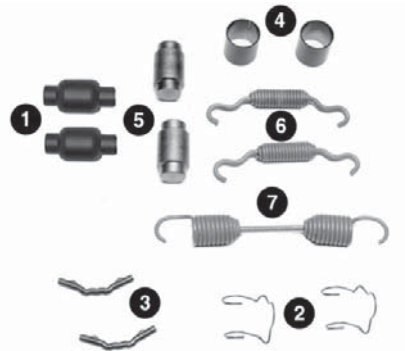
Meritor 15" Q



| ITEM | QTY | PART NUMBER | DESCRIPTION | APPLICATION INFORMATION |
|------|-----|-------------|-----------------|--|
| 1 | 1 | 2258-K-1181 | Return Spring | Front steering axles. Services 1 brake. Replaces: K282 |
| 2 | 1 | 2258-E-1123 | Retainer Spring | |
| 3 | 2 | 1199-G-3725 | Roller | |

KIT 8824HD

Meritor 15" Q Plus™



| ITEM | QTY | PART NUMBER | DESCRIPTION | APPLICATION INFORMATION |
|------|-----|-------------|--------------------|--|
| 1 | 2 | 2297-T-7222 | Brake Shoe Roller | Truck and Tractor. For Meritor front (steering) axle. Services 1 brake. Replaces: E9064, HK4702Q, K318, MK88, MK98 |
| 2 | 2 | 3105-B-210 | Roller Retainer | |
| 3 | 2 | 1218-G-85 | Return Spring Pin | |
| 4 | 2 | 1225-B-496 | Anchor Pin Bushing | |
| 5 | 2 | 1259-N-274 | Anchor Pin | |
| 6 | 2 | 2258-Q-615 | Retainer Spring | |
| 7 | 1 | 2258-L-1234 | Return Spring | |

BRAKE REPAIR KITS

KIT 8847HDA

Meritor 15" Q Plus™



| ITEM | QTY | PART NUMBER | DESCRIPTION |
|------|-----|-------------|--------------------|
| 1 | 2 | 2258-Q-615 | Retainer Spring |
| 2 | 1 | 2258-L-1234 | Return Spring |
| 3 | 2 | 1225-B-496 | Anchor Pin Bushing |
| 4 | 2 | 1259-N-274 | Anchor Pin |
| 5 | 2 | 2297-D-7206 | Roller |
| 6 | 2 | 2105-G-1047 | Roller Retainer |

APPLICATION INFORMATION
For TracLok applications only. Services 1 brake.

MKT 4702KT MKT 4702KTB MKT 4702KTK

Meritor 15" Q Plus™ (Bagged) (Knurled Rollers)

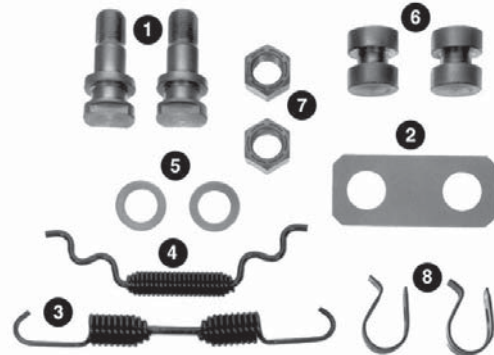


| ITEM | QTY | PART NUMBER | DESCRIPTION |
|------|-----|---------------------|--------------------|
| 1 | 2 | Not Sold Separately | Anchor Pin |
| 2 | 1 | Not Sold Separately | Return Spring |
| 3 | 2 | Not Sold Separately | Retainer Spring |
| 4 | 2 | Not Sold Separately | Brake Shoe Roller |
| 5 | 2 | Not Sold Separately | Anchor Pin Bushing |
| 6 | 2 | Not Sold Separately | Return Spring Pin |
| 7 | 2 | Not Sold Separately | Roller Retainer |

APPLICATION INFORMATION
Services 1 brake. Replaces: E4702KT, MK98, TA66A, 08-1160, 08-116000, K318, RF-5, HK4702Q

MKT 1308Q

Meritor 15" Q and Q Plus™



| ITEM | QTY | PART NUMBER | DESCRIPTION |
|------|-----|---------------------|-------------------|
| 1 | 2 | Not Sold Separately | Anchor Pin |
| 2 | 1 | Not Sold Separately | Anchor Pin Link |
| 3 | 1 | Not Sold Separately | Return Spring |
| 4 | 1 | Not Sold Separately | Retainer Spring |
| 5 | 2 | Not Sold Separately | Anchor Pin Washer |
| 6 | 2 | Not Sold Separately | Brake Shoe Roller |
| 7 | 2 | Not Sold Separately | Lock Nut |
| 8 | 2 | Not Sold Separately | Clip |

APPLICATION INFORMATION
Front brakes Hardware kit for Meritor front (steering) axle Q and Q Plus™ brakes. Services 1 brake. Replaces: E1308Q, MK79, TA55A, 08-1111, 08-111100, K283, RF-3

KIT 1125

Meritor 15" T



| ITEM | QTY | PART NUMBER | DESCRIPTION |
|------|-----|-------------|------------------|
| 1 | 1 | 2258-G-579 | Return Spring |
| 2 | 2 | 1199-G-3725 | Roller |
| 3 | 2 | 1779-M-377 | Anti-Rattle Rod |
| 4 | 2 | 1229-X-1116 | Snap Ring |
| 5 | 4 | 1807-A-1 | Spring Retainer |
| 6 | 2 | 2858-T-46 | Alignment Spring |
| 7 | 2 | 1199-A-3745 | Anti-Rattle Rod |

APPLICATION INFORMATION
Front steering axles. Use 1779-M-377 rod for 1-1/2" offset brakes. Use longer rod for 2" offset. Same as KIT 9094 except less anchor pins. Services 1 brake. Replaces: E6879, HK1308T88, K265

BRAKE REPAIR KITS

KIT 9094

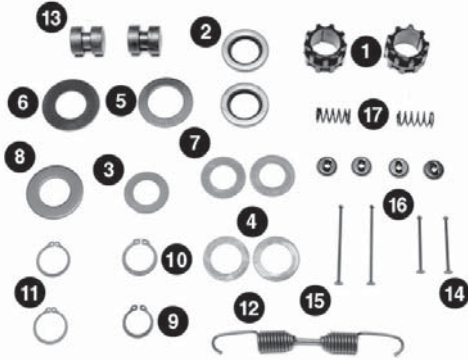
Meritor 15" T



| ITEM | QTY | PART NUMBER | DESCRIPTION | APPLICATION INFORMATION |
|------|-----|-------------|------------------|--|
| 1 | 2 | 1259-B-262 | Anchor Pin | Front steering axles. Use 1779-M-377 rod for 1-1/2" offset brakes. Use Longer rod for 2" offset. Same as KIT 1125 except with anchor pins. Service 1 brake. Replaces: 53387, 66919, E4691, HK1308T, K260, MK52, RF1, RF1ARKS |
| 2 | 1 | 2258-G-579 | Return Spring | |
| 3 | 2 | 1199-G-3725 | Roller | |
| 4 | 2 | 1779-M-377 | Anti-Rattle Rod | |
| 5 | 2 | N-112-1 | Nut | |
| 6 | 2 | 1229-X-1116 | Snap Ring | |
| 7 | 2 | 1229-V-1556 | Washer | |
| 8 | 4 | 1807-A-1 | Spring Retainer | |
| 9 | 2 | 2858-T-46 | Alignment Spring | |
| 10 | 2 | 1199-A-3745 | Anti-Rattle Rod | |

KIT 9143

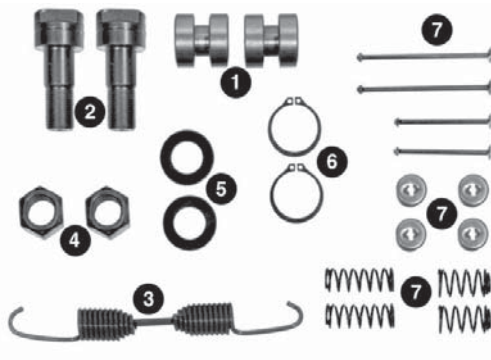
Meritor 15" T



| ITEM | QTY | PART NUMBER | DESCRIPTION | APPLICATION INFORMATION |
|------|-----|---------------|------------------|---|
| 1 | 2 | 1225-M-897 | Bushing | Front steering axles. Services 1 brake. |
| 2 | 2 | A-1205-P-1602 | Seal | |
| 3 | 1 | 1229-B-236 | Washer | |
| 4 | 2 | 1229-G-2971 | Washer | |
| 5 | 1 | 1229-J-3130 | Washer | |
| 6 | 1 | 1229-Q-277 | Washer | |
| 7 | 2 | 1229-K-4093 | Washer | |
| 8 | 1 | 1229-L-4094 | Washer | |
| 9 | 1 | 1229-J-4092 | Snap Ring | |
| 10 | 1 | 1229-D-2942 | Snap Ring | |
| 11 | 2 | 1229-X-1116 | Snap Ring | |
| 12 | 1 | 2258-G-579 | Return Spring | |
| 13 | 2 | 1199-G-3725 | Roller | |
| 14 | 2 | 1779-M-377 | Anti-Rattle Rod | |
| 15 | 2 | 1199-A-3745 | Anti-Rattle Rod | |
| 16 | 4 | 1807-A-1 | Spring Retainer | |
| 17 | 2 | 2858-T-46 | Alignment Spring | |

MKT 1308T

Meritor 15" T

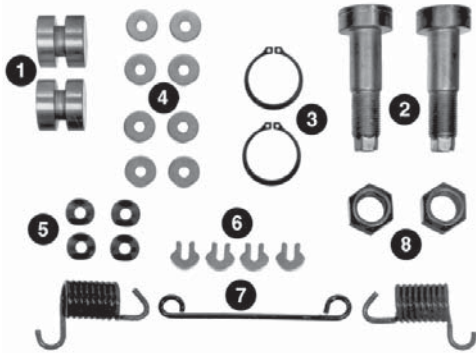


| ITEM | QTY | PART NUMBER | DESCRIPTION | APPLICATION INFORMATION |
|------|-----|---------------------|-------------------|--|
| 1 | 2 | Not Sold Separately | Brake Shoe Roller | Front brakes. Services 1 brake. Replaces: E1308T |
| 2 | 2 | Not Sold Separately | Anchor Pin | |
| 3 | 1 | Not Sold Separately | Spring | |
| 4 | 2 | Not Sold Separately | Lock Nut | |
| 5 | 2 | Not Sold Separately | Washer | |
| 6 | 2 | Not Sold Separately | Lock Ring | |
| 7 | 1 | Not Sold Separately | Hold Down Kit | |

BRAKE REPAIR KITS

R507073

Wagner 15" Cam



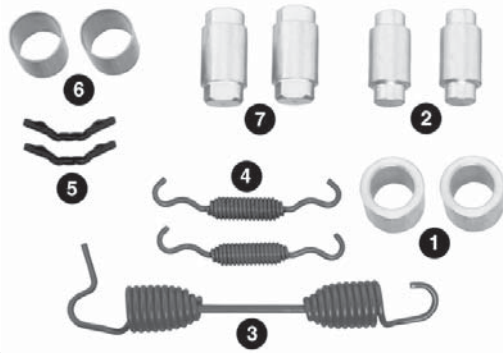
| ITEM | QTY | PART NUMBER | DESCRIPTION |
|------|-----|-------------|---------------|
| 1 | 2 | 1199-G-3725 | Roller |
| 2 | 2 | R547022 | Anchor Pin |
| 3 | 2 | R547019 | Retainer |
| 4 | 8 | 1829-P-198 | Washer |
| 5 | 4 | R547020 | Washer |
| 6 | 4 | R547021 | Washer |
| 7 | 1 | R567015 | Return Spring |
| 8 | 2 | R004961A | Nut |

APPLICATION INFORMATION

Front steering axle.
Services 1 brake.
Replaces: 531A, E3291,
HK1540W, K134, MK50,
WF1

R507081

Bendix 16-1/2" Cam



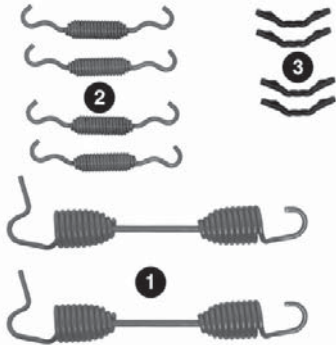
| ITEM | QTY | PART NUMBER | DESCRIPTION |
|------|-----|---------------------|--------------------|
| 1 | 2 | Not Sold Separately | Roller |
| 2 | 2 | Not Sold Separately | Roller Pin |
| 3 | 1 | Not Sold Separately | Return Spring |
| 4 | 2 | Not Sold Separately | Retainer Spring |
| 5 | 2 | 1218-G-85 | Return Spring Pin |
| 6 | 2 | Not Sold Separately | Anchor Pin Bushing |
| 7 | 2 | Not Sold Separately | Anchor Pin |

APPLICATION INFORMATION

Drive axle. Ford Cargo.
Services 1 brake.
Replaces: 104628, E7237,
FR1, HK1657B, K299,
MK95

R507082

Bendix 16-1/2" Cam



| ITEM | QTY | PART NUMBER | DESCRIPTION |
|------|-----|---------------------|-------------------|
| 1 | 2 | Not Sold Separately | Return Spring |
| 2 | 4 | Not Sold Separately | Retainer Spring |
| 3 | 4 | 1218-G-85 | Return Spring Pin |

APPLICATION INFORMATION

Drive axle. Ford Cargo.
Return spring kit only.
Services 2 brakes.
Replaces: 104624, E7238,
FR1S, HK1657B88

MKT 4311EHDN

MKT 4311EHDB

MKT 4311EHDK

Eaton 16-1/2"

(Bagged)

(Knurled Rollers)



| ITEM | QTY | PART NUMBER | DESCRIPTION |
|------|-----|---------------------|-------------------|
| 1 | 2 | Not Sold Separately | Retainer Spring |
| 2 | 1 | Not Sold Separately | Return Spring |
| 3 | 2 | Not Sold Separately | Brake Shoe Roller |
| 4 | 2 | Not Sold Separately | Return Spring Pin |

APPLICATION INFORMATION

With heavy duty return
spring
Replaces: E4311EHD,
MK10, MK99, TA241A,
08-1042, 08-1709,
08-170900, 67319,
CQ67319, KIT#2, K119,
K42, 4311EHD, EK-1HD,
HK4311E

BRAKE REPAIR KITS

R507002

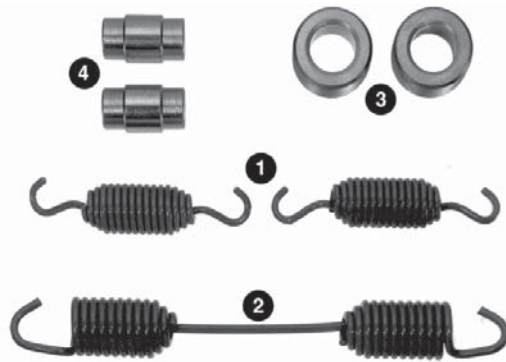
Eaton 16-1/2"



| ITEM | QTY | PART NUMBER | DESCRIPTION | APPLICATION INFORMATION |
|------|-----|-------------|-----------------|--|
| 1 | 1 | R567006 | Return Spring | For standard design fabricated shoes. Single anchor pin. Services 1 brake. Replaces: 1001238, 241A, 241ABULK, 24A, 24ABULK, 4311EHD, 52243, 52243B, 67319, E1887AHD, E1887ASHD, E1887HD, E1887SHD, EK1HD, EKINT, HK4311E, K119, K42, KIT#2, MK10, MK99, TA241A |
| 2 | 2 | R567502 | Retainer Spring | |
| 3 | 2 | R517006 | Roller | |
| 4 | 2 | R517509 | Roller Pin | |

R507077

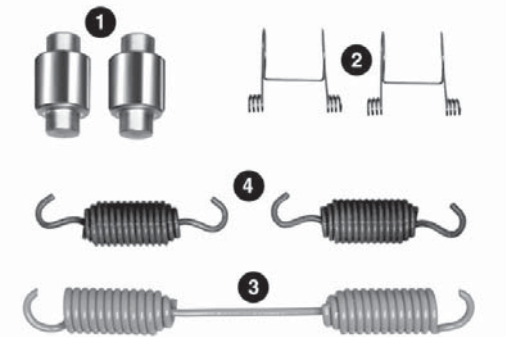
Eaton 16-1/2" Cam



| ITEM | QTY | PART NUMBER | DESCRIPTION | APPLICATION INFORMATION |
|------|-----|----------------|-----------------|---|
| 1 | 2 | R567502 | Retainer Spring | Drive axle. For use with "High Mount" brake shoes. Brake shoe has offset spring retainer pin. Used in some Ford applications. Services 1 brake. Replaces: E3801, HK4311EHM, K316, MK6 |
| 2 | 1 | R567017 | Return Spring | |
| 3 | 2 | R517006 | Roller | |
| 4 | 2 | R517509 | Roller Pin | |

MKT 4709ESN
MKT 4709ESB

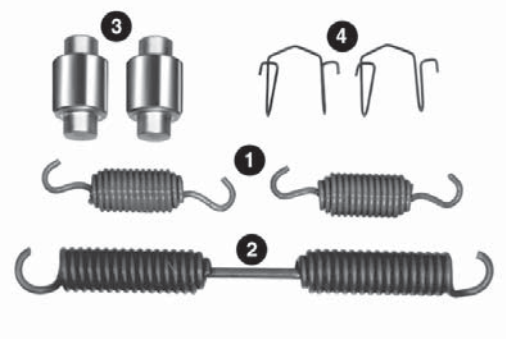
Eaton 16-1/2" ES (Bagged)



| ITEM | QTY | PART NUMBER | DESCRIPTION | APPLICATION INFORMATION |
|------|-----|---------------------|-------------------|--|
| 1 | 2 | Not Sold Separately | Brake Shoe Roller | Can only be used with Eaton "ES" camshafts. Services 1 brake. Replaces: E4709ES, MK84, K295, ES-1, HK4709E |
| 2 | 2 | Not Sold Separately | Roller Retainer | |
| 3 | 1 | Not Sold Separately | Return Spring | |
| 4 | 2 | Not Sold Separately | Retainer Spring | |

R507057

Eaton 16-1/2" ES



| ITEM | QTY | PART NUMBER | DESCRIPTION | APPLICATION INFORMATION |
|------|-----|-------------------|-----------------|--|
| 1 | 2 | R567502 | Retainer Spring | Drive axle. Can only be used with Eaton "ES" camshafts. Services 1 brake. Replaces: 5808330, 5808330B, 63A, E5481, E5481A, ES1, HK4709E, K295, MK84, TA63A |
| 2 | 1 | R567503 | Return Spring | |
| 3 | 2 | R517510 | Roller | |
| 4 | 2 | 1718-Y-103 | Roller Retainer | |

BRAKE REPAIR KITS

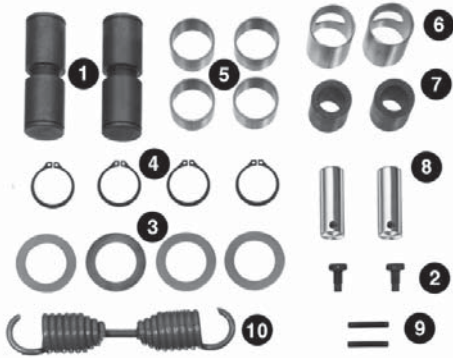
R507062 Eaton 16-1/2" ES



| ITEM | QTY | PART NUMBER | DESCRIPTION |
|------|-----|-------------|--------------------|
| 1 | 2 | 1259-N-274 | Anchor Pin |
| 2 | 2 | R547008 | Anchor Pin Bushing |
| 3 | 2 | 2258-Q-615 | Retainer Spring |
| 4 | 1 | R567504 | Return Spring |
| 5 | 2 | 2297-T-7222 | Brake Shoe Roller |
| 6 | 2 | 1218-G-85 | Return Spring Pin |
| 7 | 2 | 1718-Y-103 | Roller Retainer |

APPLICATION INFORMATION
 Drive axle , Trailer axle.
 Eaton ES for Meritor.
 Services 1 brake. Replaces:
 53319, E8925, EQ1,
 HK4708EQ, K322, TA67A

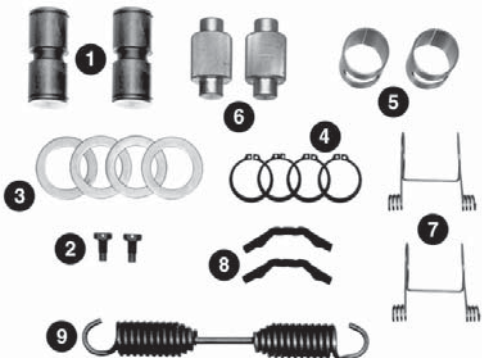
R507084 Eaton 16-1/2" ES



| ITEM | QTY | PART NUMBER | DESCRIPTION |
|------|-----|-------------|--------------------|
| 1 | 2 | R547024 | Anchor Pin |
| 2 | 2 | R547025 | Lock Screw |
| 3 | 4 | 1229-G-2971 | Washer |
| 4 | 4 | 1229-X-1116 | Snap Ring |
| 5 | 4 | R570004 | Shoe Bushing |
| 6 | 2 | 1225-G-449 | Anchor Pin Bushing |
| 7 | 2 | R517012 | Roller |
| 8 | 2 | R517013 | Roller Pin |
| 9 | 2 | R517014 | Lock Pin |
| 10 | 1 | R567020 | Return Spring |

APPLICATION INFORMATION
 Drive axle. Severe service
 brake with cast shoes.
 Services 1 brake.
 Replaces: 810213, E9048,
 K307

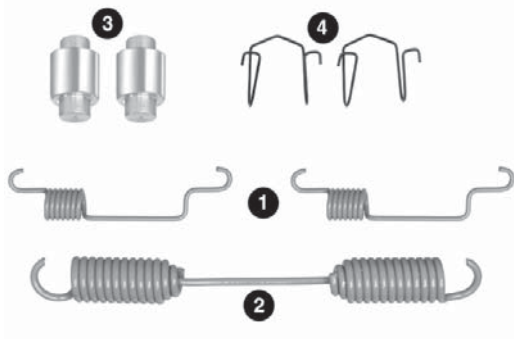
R507085 Eaton 16-1/2" ES



| ITEM | QTY | PART NUMBER | DESCRIPTION |
|------|-----|-------------|--------------------|
| 1 | 2 | R547026 | Anchor Pin |
| 2 | 2 | R547025 | Lock Screw |
| 3 | 4 | 1229-G-2971 | Washer |
| 4 | 4 | 1229-X-1116 | Snap Ring |
| 5 | 2 | 1225-G-449 | Anchor Pin Bushing |
| 6 | 2 | 2297-T-7222 | Brake Shoe Roller |
| 7 | 2 | 1718-Y-103 | Roller Retainer |
| 8 | 2 | 1218-G-85 | Return Spring Pin |
| 9 | 1 | R567021 | Return Spring |

APPLICATION INFORMATION
 Drive axle. Severe service
 brake with fabricated
 shoes. Services 1 brake.
 Replaces: 812118, E9052

R507064 Eaton 16-1/2" ES-II



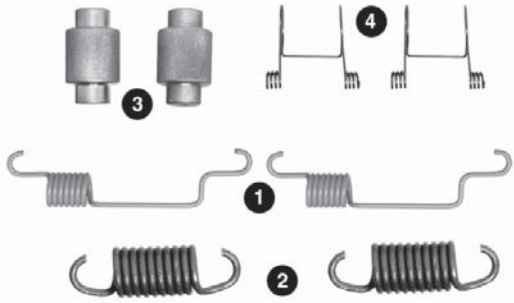
| ITEM | QTY | PART NUMBER | DESCRIPTION |
|------|-----|-------------|-----------------|
| 1 | 2 | R567505 | Retainer Spring |
| 2 | 1 | R567503 | Return Spring |
| 3 | 2 | R517510 | Roller |
| 4 | 2 | 1718-Y-103 | Roller Retainer |

APPLICATION INFORMATION
 Drive axle. For use with
 new "ES-II", No-Tab shoe
 with retainer spring holes
 in web. NOTE: Install
 retainer springs with coil
 end up. Can only be used
 with Eaton "ES" camshafts.
 Services 1 brake.
 Replaces: 314147,
 631A, CQ65477,
 E10244, E10244S, ES2,
 HK4709E12, K375

BRAKE REPAIR KITS

R507094

Eaton 16-1/2" ES-II



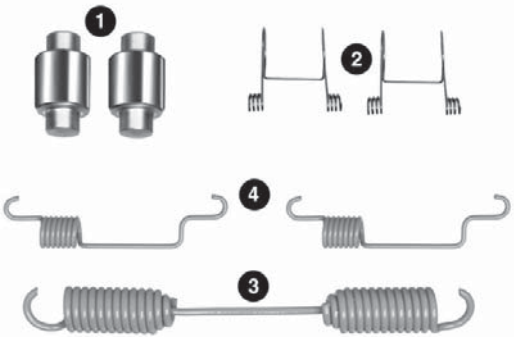
| ITEM | QTY | PART NUMBER | DESCRIPTION |
|------|-----|-------------------|-----------------|
| 1 | 2 | R567505 | Retainer Spring |
| 2 | 2 | R567012 | Return Spring |
| 3 | 2 | R517510 | Roller |
| 4 | 2 | 1718-Y-103 | Roller Retainer |

APPLICATION INFORMATION

Front steering axle. Can only be used with Eaton "ES" camshafts. Services 1 brake. Replaces: 314146, E10760, EF2, HK4719E, HK62XLS, K376

MKT 4709ES2N
MKT 4709ES2B

Eaton 16-1/2" ESII
(Bagged)



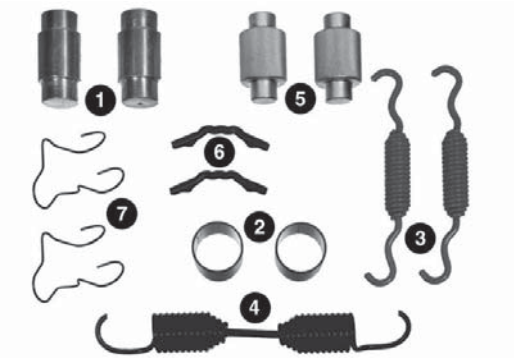
| ITEM | QTY | PART NUMBER | DESCRIPTION |
|------|-----|---------------------|-------------------|
| 1 | 2 | Not Sold Separately | Brake Shoe Roller |
| 2 | 2 | Not Sold Separately | Roller Retainer |
| 3 | 1 | Not Sold Separately | Return Spring |
| 4 | 2 | Not Sold Separately | Retainer Spring |

APPLICATION INFORMATION

Drive axle. For use with new "ES-II", No-Tab shoe with retainer spring holes in web. NOTE: Install retainer springs with coil end up. Can only be used with Eaton "ES" camshafts. Services 1 brake. Replaces: E4709ES2, CQ65477, 65477, K375, HK4709E-12, ES-2

MKT 4515X
MKT 4515XB
MKT 4515XK

Fruehauf 16-1/2" X3 XEM
(Bagged)
(Knurled Rollers)



| ITEM | QTY | PART NUMBER | DESCRIPTION |
|------|-----|---------------------|--------------------|
| 1 | 2 | Not Sold Separately | Anchor Pin |
| 2 | 2 | Not Sold Separately | Anchor Pin Bushing |
| 3 | 2 | Not Sold Separately | Retainer Spring |
| 4 | 1 | Not Sold Separately | Return Spring |
| 5 | 2 | Not Sold Separately | Brake Shoe Roller |
| 6 | 2 | Not Sold Separately | Return Spring Pin |
| 7 | 2 | Not Sold Separately | Roller Retainer |

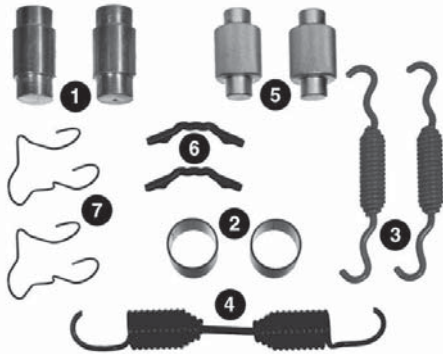
APPLICATION INFORMATION

New style XEM series. Services 1 brake. Replaces: E4515X, 08-1091, 08-109100, 66913, CQ66913, K135, K136, K280, K280A, K309K, K315, K328, K330, 4515X, XK-3, XK-3MPHD, HK4515F-1, HK4515F-3

BRAKE REPAIR KITS

MKT 4515XHD
MKT 4515XHDB
MKT 4515XHDK

Fruehauf 16-1/2" X3 XEM
(Bagged)
(Knurled Rollers)



| ITEM | QTY | PART NUMBER | DESCRIPTION | APPLICATION INFORMATION |
|------|-----|---------------------|--------------------|--|
| 1 | 2 | Not Sold Separately | Anchor Pin | Same as kit R507008 except with heavy duty return spring. Services 1 brake. Replaces: E4515XHD, TA341A, MK42, 08-1713, 08-171300, 66914, CQ66914, KIT#3, K354, 4515XHD, XK-3HD |
| 2 | 2 | Not Sold Separately | Anchor Pin Bushing | |
| 3 | 2 | Not Sold Separately | Retainer Spring | |
| 4 | 1 | Not Sold Separately | Return Spring | |
| 5 | 2 | Not Sold Separately | Brake Shoe Roller | |
| 6 | 2 | Not Sold Separately | Return Spring Pin | |
| 7 | 2 | Not Sold Separately | Roller Retainer | |
| 8 | 1 | Not Sold Separately | Cotter Pin | |

R507006 **Fruehauf (Pro-Par®) 16-1/2"**



| ITEM | QTY | PART NUMBER | DESCRIPTION | APPLICATION INFORMATION |
|------|-----|--------------------|-------------------|---|
| 1 | 2 | R537004 | Anchor Pin | Trailer axle. Old style XEM series with shoes drilled for retainer springs. Services 1 brake. Replaces: 311A, 52246, 52246B, E4880, E4880S, HK4515F57, K118, K127, K76, XK1 |
| 2 | 1 | 2258-U-619 | Return Spring | |
| 3 | 2 | 2297-T-7222 | Brake Shoe Roller | |
| 4 | 2 | R527002 | Roller Retainer | |
| 5 | 2 | 1218-G-85 | Return Spring Pin | |
| 6 | 2 | 2258-Q-615 | Retainer Spring | |
| 7 | 2 | 1199-E-1695 | Drive Pin | |
| 8 | 2 | 1225-S-1267 | Bushing | |

R507008 **Fruehauf (Pro-Par®) 16-1/2"**



| ITEM | QTY | PART NUMBER | DESCRIPTION | APPLICATION INFORMATION |
|------|-----|--------------------|-------------------|--|
| 1 | 2 | R537005 | Anchor Pin | Trailer axle. New style XEM series. Services 1 brake. Replaces: 341A, 341ABULK, 4515X, 52247, 52247B, 66913, E3710, E3710S, HK4515F1, HK4515F3, K135, K136, K280, K280A, K309K, K315, K328, K330, K354, KIT#3, XK3 |
| 2 | 1 | 2258-U-619 | Return Spring | |
| 3 | 2 | 2297-T-7222 | Brake Shoe Roller | |
| 4 | 2 | 1718-Y-103 | Roller Retainer | |
| 5 | 2 | 2258-Q-615 | Retainer Spring | |
| 6 | 2 | 1218-G-85 | Return Spring Pin | |
| 7 | 2 | 1225-S-1267 | Bushing | |
| 8 | 1 | R001559 | Cotter Pin | |

R507010 **Fruehauf (Pro-Par®) 16-1/2"**

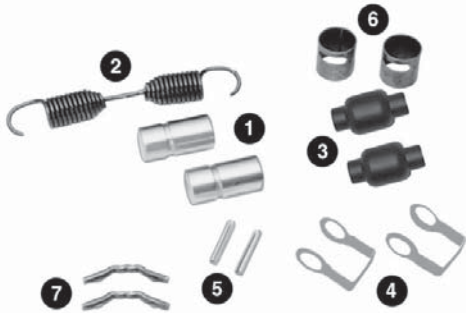


| ITEM | QTY | PART NUMBER | DESCRIPTION | APPLICATION INFORMATION |
|------|-----|--------------------|-------------------|---|
| 1 | 2 | R537005 | Anchor Pin | Trailer axle. Same as kit R507008 except with heavy duty return spring. Services 1 brake. Replaces: 34A, 34ABULK, 4515XHD, 66914, E3710HD, E3710SHD, K136, K354, K58, MK42, TA341A, XK3HD |
| 2 | 1 | 2258-W-803 | Return Spring | |
| 3 | 2 | 2297-T-7222 | Brake Shoe Roller | |
| 4 | 2 | 1718-Y-103 | Roller Retainer | |
| 5 | 2 | 2258-Q-615 | Retainer Spring | |
| 6 | 2 | 1225-S-1267 | Bushing | |
| 7 | 2 | 1218-G-85 | Return Spring Pin | |
| 8 | 1 | R001559 | Cotter Pin | |

BRAKE REPAIR KITS

R507011

Fruehauf (Pro-Par®) 16-1/2"

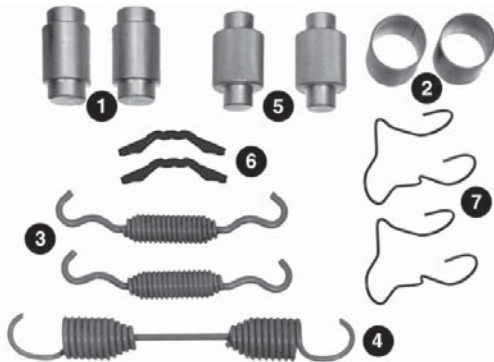


| ITEM | QTY | PART NUMBER | DESCRIPTION |
|------|-----|-------------|-------------------|
| 1 | 2 | 1259-N-170 | Anchor Pin |
| 2 | 1 | 2258-P-354 | Return Spring |
| 3 | 2 | 2297-T-7222 | Brake Shoe Roller |
| 4 | 2 | R527002 | Roller Retainer |
| 5 | 2 | 1199-E-1695 | Drive Pin |
| 6 | 2 | 1225-S-1267 | Bushing |
| 7 | 2 | 1218-G-85 | Return Spring Pin |

APPLICATION INFORMATION
Trailer axle. For fabricated shoes with offset lock. Old style spiders drilled for drive pin. Services 1 brake. Replaces: 171A, 18A, 52240, 52240B, 67316, E2121, FK1, K266, K43, K62, TA18A

MKT 4515QN
MKT 4515QB
MKT 4515QK

Intraax® and Meritor Q, Q Plus™ and Spicer XLII 16-1/2"
(Bagged)
(Knurled Rollers)

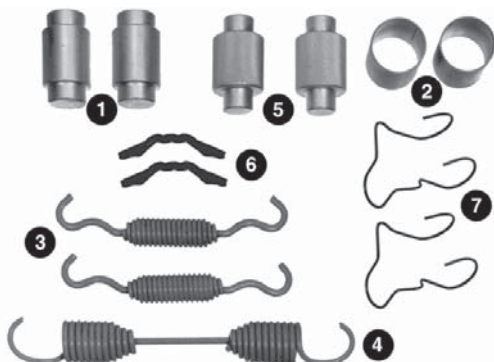


| ITEM | QTY | PART NUMBER | DESCRIPTION |
|------|-----|---------------------|--------------------|
| 1 | 2 | Not Sold Separately | Anchor Pin |
| 2 | 2 | Not Sold Separately | Anchor Pin Bushing |
| 3 | 2 | Not Sold Separately | Retainer Spring |
| 4 | 1 | Not Sold Separately | Return Spring |
| 5 | 2 | Not Sold Separately | Brake Shoe Roller |
| 6 | 2 | Not Sold Separately | Return Spring Pin |
| 7 | 2 | Not Sold Separately | Roller Retainer |

APPLICATION INFORMATION
Drive axle and trailer axle. Services multiple applications, except those on front heavy axles. For HD version see MKT 4515QHD. Services 1 brake. Replaces: E4515Q, 66861, MK39, 08-1092, 08-1088, 08-108800, 08-108875, 08-109200, 08-1702, 08-170200, CQ66861, S21183, K117, K128K, K306, K339, K70, QK-1, QK-1MPHD, HK4515Q-1, HK4515Q-14, HK4515Q-3

MKT 4515QHDN
MKT 4515QHDNB
MKT 4515QHDNK

Intraax® and Meritor Q, Q Plus™ and Spicer XLII 16-1/2"
(Bagged)
(Knurled Rollers)

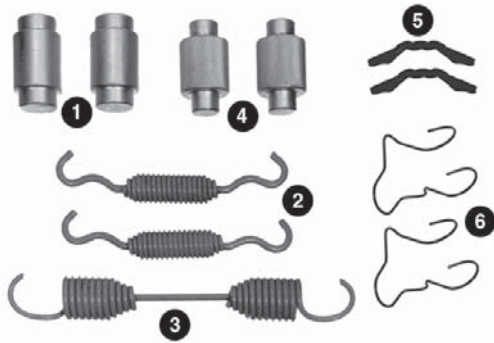


| ITEM | QTY | PART NUMBER | DESCRIPTION |
|------|-----|---------------------|--------------------|
| 1 | 2 | Not Sold Separately | Anchor Pin |
| 2 | 2 | Not Sold Separately | Anchor Pin Bushing |
| 3 | 2 | Not Sold Separately | Retainer Spring |
| 4 | 1 | Not Sold Separately | Return Spring |
| 5 | 2 | Not Sold Separately | Brake Shoe Roller |
| 6 | 2 | Not Sold Separately | Return Spring Pin |
| 7 | 2 | Not Sold Separately | Roller Retainer |

APPLICATION INFORMATION
Drive axle and trailer axle. Services multiple applications. With heavy duty return spring. Services 1 brake. Replaces: E4515QHD, KIT#1, MK72, 29-1AR, TA291A, TA64A, 08-1132, 08-1703, 08-108830, 08-113200, 08-170300, 66867, CQ66867, S23752, K128, K128A, HK4515Q-34

BRAKE REPAIR KITS

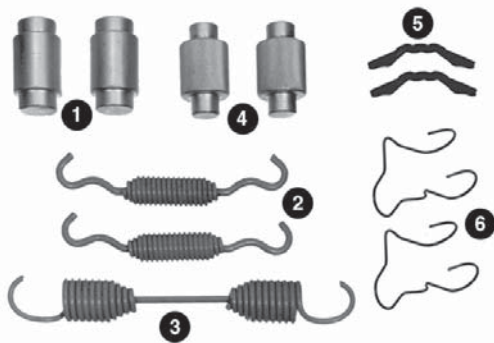
MKT 4515QMBN **Intraax® and Meritor Q, Q Plus™ and Spicer XLII 16-1/2"**
MKT 4515QMBB **(Bagged)**
MKT 4515QMBK **(Knurled Rollers)**



| ITEM | QTY | PART NUMBER | DESCRIPTION |
|------|-----|---------------------|-------------------|
| 1 | 2 | Not Sold Separately | Anchor Pin |
| 2 | 2 | Not Sold Separately | Retainer Spring |
| 3 | 1 | Not Sold Separately | Return Spring |
| 4 | 2 | Not Sold Separately | Brake Shoe Roller |
| 5 | 2 | Not Sold Separately | Return Spring Pin |
| 6 | 2 | Not Sold Separately | Roller Retainer |

APPLICATION INFORMATION
 Same as MKT 4515Q less bushings. Services all Q brake sizes, including Fruehauf, except those on front steering axles. Services 1 brake. Replaces: E4515QMB, QK-8, 4515/4707QM, 4515/4707QMB

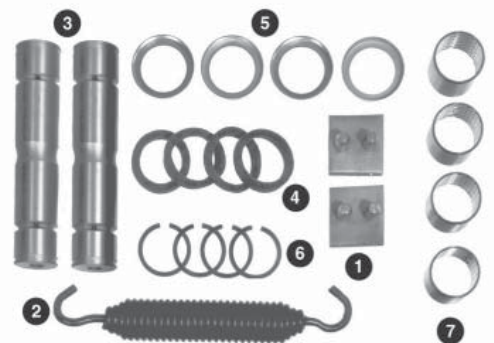
MKT 4515QMBHDN **Intraax® and Meritor Q, Q Plus™ and Spicer XLII 16-1/2"**
MKT 4515QMBHDB **(Bagged)**
MKT 4515QMBHDK **(Knurled Rollers)**



| ITEM | QTY | PART NUMBER | DESCRIPTION |
|------|-----|---------------------|-------------------|
| 1 | 2 | Not Sold Separately | Anchor Pin |
| 2 | 2 | Not Sold Separately | Retainer Spring |
| 3 | 1 | Not Sold Separately | Return Spring |
| 4 | 2 | Not Sold Separately | Brake Shoe Roller |
| 5 | 2 | Not Sold Separately | Return Spring Pin |
| 6 | 2 | Not Sold Separately | Roller Retainer |

APPLICATION INFORMATION
 Same as MKT 4515QMB except includes heavy duty return spring. Services all Q brake sizes, including Fruehauf, except those on front steering axles. Services 1 brake. Replaces: E4515QMBHD, QK-1A, QK-8HD

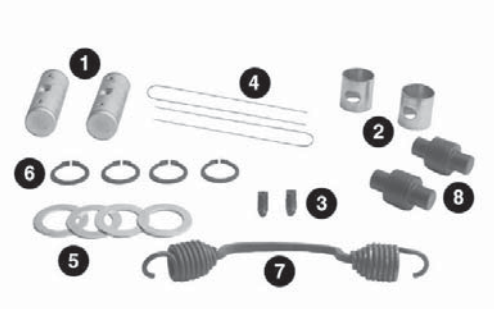
R507069 **Mack 16-1/2" Cam**



| ITEM | QTY | PART NUMBER | DESCRIPTION |
|------|-----|--------------------|---------------|
| 1 | 2 | R547029 | Wear Plate |
| 2 | 1 | R567023 | Return Spring |
| 3 | 2 | R547030 | Anchor Pin |
| 4 | 4 | R547031 | Seal |
| 5 | 4 | R547032 | Seal Retainer |
| 6 | 4 | 1229-D-2942 | Snap Ring |
| 7 | 4 | R570005 | Bushing |

APPLICATION INFORMATION
 Drive axle. Services 1 brake. Replaces: E2676, MK55

KIT 8846HD1X **Meritor 16-1/2" Cast Plus**



| ITEM | QTY | PART NUMBER | DESCRIPTION |
|------|-----|--------------------|-------------------|
| 1 | 2 | 1259-K-1181 | Anchor Pin |
| 2 | 2 | 1225-U-827 | Bushing |
| 3 | 2 | 26-X-1030 | Set Screw |
| 4 | 2 | LW-1912 | Lockwire |
| 5 | 4 | 1229-B-1848 | Washer |
| 6 | 4 | 1229-D-2942 | Snap Ring |
| 7 | 1 | 2258-T-1372 | Return Spring |
| 8 | 2 | 2297-S-8235 | Brake Shoe Roller |

APPLICATION INFORMATION
 Services 1 brake. 1X oversized roller.

BRAKE REPAIR KITS

KIT 8846HD2X

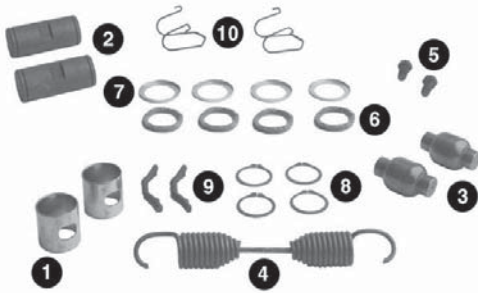
Meritor 16-1/2" Cast Plus



| ITEM | QTY | PART NUMBER | DESCRIPTION | APPLICATION INFORMATION |
|------|-----|-------------|-------------------|---|
| 1 | 2 | 1259-K-1181 | Anchor Pin | Services 1 brake. 2X oversized roller. |
| 2 | 2 | 1225-U-827 | Bushing | |
| 3 | 2 | 26-X-1030 | Set Screw | |
| 4 | 2 | LW-1912 | Lockwire | |
| 5 | 4 | 1229-B-1848 | Washer | |
| 6 | 4 | 1229-D-2942 | Snap Ring | |
| 7 | 1 | 2258-T-1372 | Return Spring | |
| 8 | 2 | 2297-R-8234 | Brake Shoe Roller | |

KIT 9005

Meritor 16-1/2" P



| ITEM | QTY | PART NUMBER | DESCRIPTION | APPLICATION INFORMATION |
|------|-----|-------------|-------------------|---|
| 1 | 2 | 1225-U-827 | Bushing | Drive axle , Trailer axle. P brakes on truck, tractor and trailer axles with fab shoes. Services 1 brake. Replaces: MK74 |
| 2 | 2 | 1259-Q-251 | Anchor Pin | |
| 3 | 2 | 2297-T-7222 | Brake Shoe Roller | |
| 4 | 1 | 2258-P-354 | Return Spring | |
| 5 | 2 | S-266D | Capscrew | |
| 6 | 4 | 5-X-640 | Anchor Pin Felt | |
| 7 | 4 | 1205-K-193 | Felt Retainer | |
| 8 | 4 | 1229-X-1116 | Snap Ring | |
| 9 | 2 | 1218-G-85 | Return Spring Pin | |
| 10 | 2 | 1718-Y-103 | Roller Retainer | |

KIT 9017N

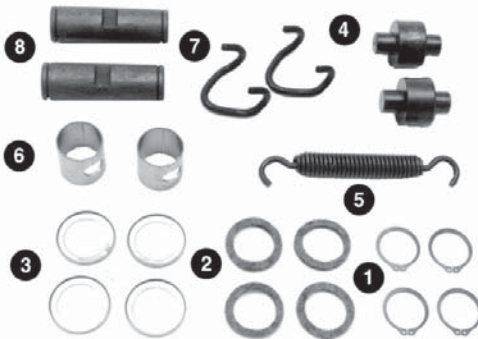
Meritor 16-1/2" P



| ITEM | QTY | PART NUMBER | DESCRIPTION | APPLICATION INFORMATION |
|------|-----|---------------|-------------------|---|
| 1 | 2 | 1259-Q-251 | Anchor Pin | Drive axle , Trailer axle. P brakes on truck, tractor and trailer axles with fab shoes and non-bushed spiders. Services 1 brake. |
| 2 | 4 | A-1205-S-1943 | Seal | |
| 3 | 4 | 1229-X-1116 | Snap Ring | |
| 4 | 2 | S-265D | Capscrew | |
| 5 | 1 | 2258-P-354 | Return Spring | |
| 6 | 2 | 2297-T-7222 | Brake Shoe Roller | |
| 7 | 2 | 1718-Y-103 | Roller Retainer | |
| 8 | 2 | 1218-G-85 | Return Spring Pin | |

KIT 9081

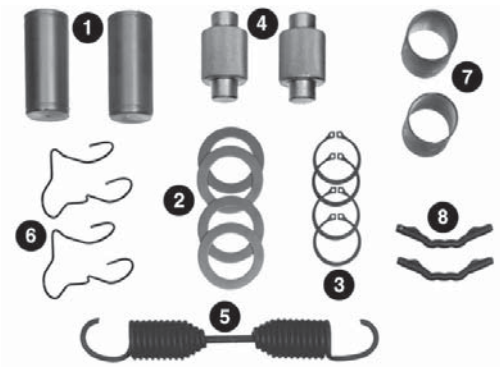
Meritor 16-1/2" P



| ITEM | QTY | PART NUMBER | DESCRIPTION | APPLICATION INFORMATION |
|------|-----|-------------|-----------------|--|
| 1 | 4 | 1229-X-1116 | Snap Ring | Drive axle. Cast P series brake shoes. Services 1 brake. |
| 2 | 4 | 5-X-640 | Anchor Pin Felt | |
| 3 | 4 | 1205-K-193 | Felt Retainer | |
| 4 | 2 | 1199-U-3765 | Roller | |
| 5 | 1 | 2258-R-590 | Return Spring | |
| 6 | 2 | 1225-U-827 | Bushing | |
| 7 | 2 | 1218-C-107 | Retaining Clip | |
| 8 | 2 | 1259-R-252 | Anchor Pin | |

BRAKE REPAIR KITS

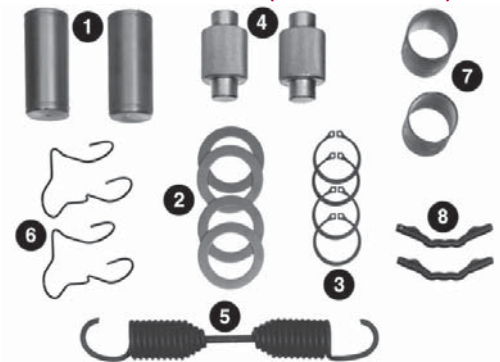
MKT 4515P Meritor 16-1/2" P



| ITEM | QTY | PART NUMBER | DESCRIPTION |
|------|-----|---------------------|--------------------|
| 1 | 2 | Not Sold Separately | Anchor Pin |
| 2 | 4 | Not Sold Separately | Washer |
| 3 | 4 | Not Sold Separately | Lock Ring |
| 4 | 2 | Not Sold Separately | Brake Shoe Roller |
| 5 | 1 | Not Sold Separately | Return Spring |
| 6 | 2 | Not Sold Separately | Roller Retainer |
| 7 | 2 | Not Sold Separately | Anchor Pin Bushing |
| 8 | 2 | Not Sold Separately | Return Spring Pin |

APPLICATION INFORMATION
 P brakes on truck, tractor and trailer axles with fab shoes. Contains phosphate coated anchor pins. For HD version see MKT 4515PHD. Services 1 brake.
 Replaces: E4515P, MK7, 08-1003, 08-100300, 08-1004, 08-100400, 08-1036, 08-103600, 67317, CQ67317, K60, K75, K9001, TK-4MPHD, HK4515P, HK4515P-1

MKT 4515PHD Meritor 16-1/2" P MKT 4515PHDB (Bagged) MKT 4515PHDK (Knurled Rollers)



| ITEM | QTY | PART NUMBER | DESCRIPTION |
|------|-----|---------------------|--------------------|
| 1 | 2 | Not Sold Separately | Anchor Pin |
| 2 | 4 | Not Sold Separately | Washer |
| 3 | 4 | Not Sold Separately | Lock Ring |
| 4 | 2 | Not Sold Separately | Brake Shoe Roller |
| 5 | 1 | Not Sold Separately | Return Spring |
| 6 | 2 | Not Sold Separately | Roller Retainer |
| 7 | 2 | Not Sold Separately | Anchor Pin Bushing |
| 8 | 2 | Not Sold Separately | Return Spring Pin |

APPLICATION INFORMATION
 P brakes on truck, tractor and trailer axles with fab shoes. Includes heavy duty return spring. Contains phosphate coated anchor pins. Services 1 brake.
 Replaces: E4515PHD

R509000 Meritor 16-1/2" P



| ITEM | QTY | PART NUMBER | DESCRIPTION |
|------|-----|--------------------|--------------------|
| 1 | 2 | 1259-M-1131 | Anchor Pin |
| 2 | 1 | 2258-P-354 | Return Spring |
| 3 | 2 | 2297-T-7222 | Brake Shoe Roller |
| 4 | 2 | R547008 | Anchor Pin Bushing |
| 5 | 2 | 1218-G-85 | Return Spring Pin |
| 6 | 2 | 1718-Y-103 | Roller Retainer |
| 7 | 4 | 1229-D-2942 | Snap Ring |
| 8 | 4 | 1229-B-1848 | Washer |

APPLICATION INFORMATION
 Drive axle, Trailer axle. P brakes on truck, tractor and trailer axles with fab shoes. Contains phosphate coated anchor pins. For HD version see R509001. Services 1 brake.
 Replaces: 142A, 143A, 143ABULK, 163A, 164A, 164ABULK, 52236B, 52238, 52238B, 66906, 67315, 67317, BK103, E1816, E1816S, K58, K59, K60, K75, KIT4S, M16LK103X, MK7, TK4, TK4MPHD

BRAKE REPAIR KITS

R509001

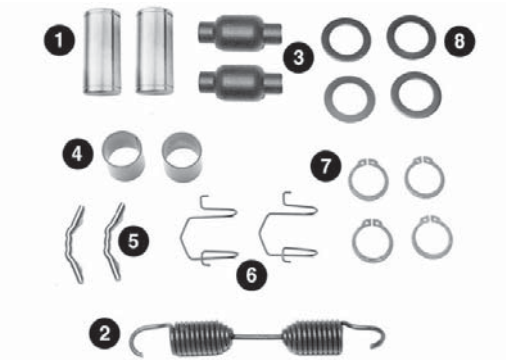
Meritor 16-1/2" P



| ITEM | QTY | PART NUMBER | DESCRIPTION | APPLICATION INFORMATION |
|------|-----|-------------|--------------------|--|
| 1 | 2 | 1259-M-1131 | Anchor Pin | Drive axle , Trailer axle. |
| 2 | 1 | 2258-Z-416 | Return Spring | Same as kit R509000, but with heavy duty return spring. |
| 3 | 2 | 2297-T-7222 | Brake Shoe Roller | Services 1 brake. |
| 4 | 2 | R547008 | Anchor Pin Bushing | Replaces: 142A, 144A, 144ABULK, 14A, 161A, 16ABULK, 52237B, 52239, 52239B, 66735, E1816HD, E1816SHD, K109, K116, K45, KIT4SHD, M16LK103X, MK2, TA144A, TA14A, TA161A, TK4HD, TK4MPHD |
| 5 | 2 | 1218-G-85 | Return Spring Pin | |
| 6 | 2 | 1718-Y-103 | Roller Retainer | |
| 7 | 4 | 1229-D-2942 | Snap Ring | |
| 8 | 4 | 1229-B-1848 | Washer | |

R509063

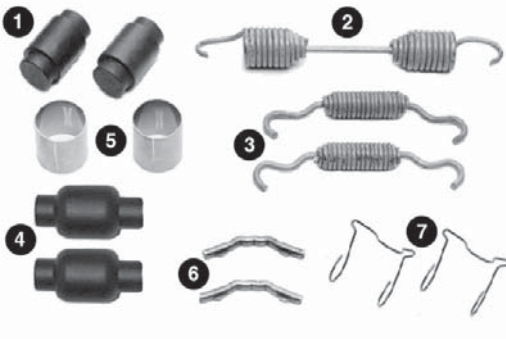
Meritor 16-1/2" P



| ITEM | QTY | PART NUMBER | DESCRIPTION | APPLICATION INFORMATION |
|------|-----|-------------|--------------------|---|
| 1 | 2 | 1259-P-1134 | Anchor Pin | Drive axle , Trailer axle. |
| 2 | 1 | 2258-Z-416 | Return Spring | Same as kit R509001 except chrome plated anchor pins. |
| 3 | 2 | 2297-T-7222 | Brake Shoe Roller | Services 1 brake. |
| 4 | 2 | R547008 | Anchor Pin Bushing | Replaces: 151A, K44, KIT4HD, TFINT, TK4MPHD |
| 5 | 2 | 1218-G-85 | Return Spring Pin | |
| 6 | 2 | 1718-Y-103 | Roller Retainer | |
| 7 | 4 | 1229-D-2942 | Snap Ring | |
| 8 | 4 | 1229-B-1848 | Washer | |

**KIT 8000
KIT 8000BULK**

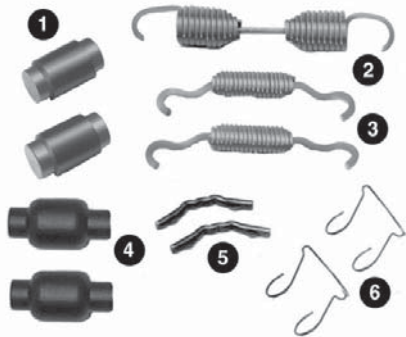
**Meritor 16-1/2" Q
(Bagged)**



| ITEM | QTY | PART NUMBER | DESCRIPTION | APPLICATION INFORMATION |
|------|-----|-------------|--------------------|--|
| 1 | 2 | 1259-N-274 | Anchor Pin | Drive axle , Trailer axle. |
| 2 | 1 | 2258-U-619 | Return Spring | Services all Q brake sizes, incl. Fruehauf, except those on front steering axles. |
| 3 | 2 | 2258-Q-615 | Retainer Spring | For H.D. version see KIT 8000HD. |
| 4 | 2 | 2297-T-7222 | Brake Shoe Roller | Services 1 brake. |
| 5 | 2 | 1225-B-496 | Anchor Pin Bushing | Replaces: 28A, 52245, 66861, E2769, E2769HD, E2769SR, HK4515Q1, HK4515Q14, HK4515Q3, K128K, K339, K70, MK39, QK1MPHD, S21183 |
| 6 | 2 | 1218-G-85 | Return Spring Pin | |
| 7 | 2 | 3105-B-210 | Roller Retainer | |

BRAKE REPAIR KITS

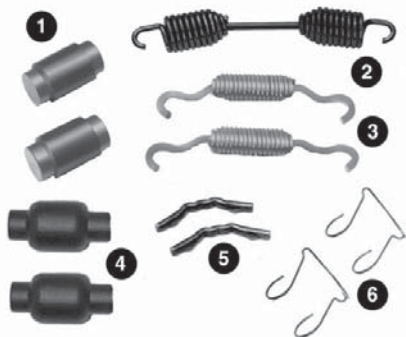
KIT 8000MB Meritor 16-1/2" Q



| ITEM | QTY | PART NUMBER | DESCRIPTION |
|------|-----|-------------|-------------------|
| 1 | 2 | 1259-N-274 | Anchor Pin |
| 2 | 1 | 2258-U-619 | Return Spring |
| 3 | 2 | 2258-Q-615 | Retainer Spring |
| 4 | 2 | 2297-T-7222 | Brake Shoe Roller |
| 5 | 2 | 1218-G-85 | Return Spring Pin |
| 6 | 2 | 3105-B-210 | Roller Retainer |

APPLICATION INFORMATION
 Drive axle , Trailer axle.
 Same as KIT 8000 less bushings. Services all Q brake sizes, including Fruehauf, except those on front steering axles. Services 1 brake.
 Replaces: 45154707QM, HK4515Q81, HK4515Q814, K321

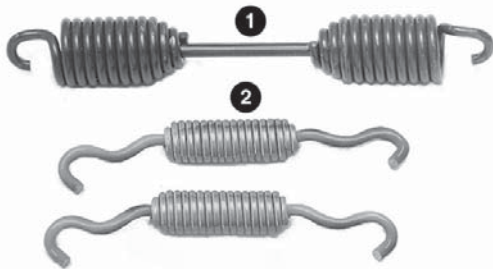
KIT 8000MBHD Meritor 16-1/2" Q



| ITEM | QTY | PART NUMBER | DESCRIPTION |
|------|-----|-------------|-------------------|
| 1 | 2 | 1259-N-274 | Anchor Pin |
| 2 | 1 | 2258-W-803 | Return Spring |
| 3 | 2 | 2258-Q-615 | Retainer Spring |
| 4 | 2 | 2297-T-7222 | Brake Shoe Roller |
| 5 | 2 | 1218-G-85 | Return Spring Pin |
| 6 | 2 | 3105-B-210 | Roller Retainer |

APPLICATION INFORMATION
 Drive axle , Trailer axle.
 Same as KIT 8000 but with heavy duty return spring and less bushings. Services all Q brake sizes, incl. Fruehauf, except those on front steering axles. Services 1 brake.
 Replaces: E6996SHDR, E6999SHD, E6999SHDR, HK4515Q83, HK4515Q834, K128A, QK1A, QK2HD

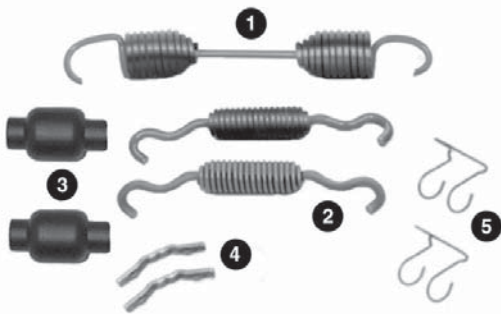
KIT 8002SS Meritor 16-1/2" Q



| ITEM | QTY | PART NUMBER | DESCRIPTION |
|------|-----|-------------|-----------------|
| 1 | 2 | 2258-Q-615 | Retainer Spring |
| 2 | 1 | 2258-U-619 | Return Spring |

APPLICATION INFORMATION
 Drive axle , Trailer axle.
 Services all Q brake sizes including Fruehauf, except those on front steering axles. Services 1 brake.

KIT 8014 Meritor 16-1/2" Q



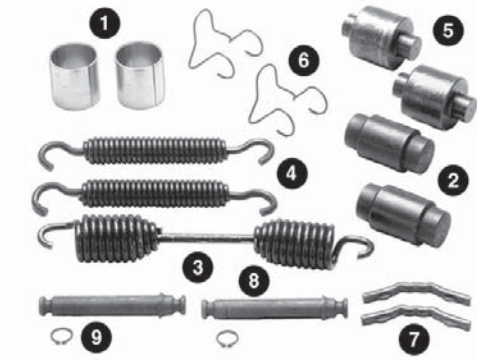
| ITEM | QTY | PART NUMBER | DESCRIPTION |
|------|-----|-------------|-------------------|
| 1 | 1 | 2258-U-619 | Return Spring |
| 2 | 2 | 2258-Q-615 | Retainer Spring |
| 3 | 2 | 2297-T-7222 | Brake Shoe Roller |
| 4 | 2 | 1218-G-85 | Return Spring Pin |
| 5 | 2 | 3105-B-210 | Roller Retainer |

APPLICATION INFORMATION
 Drive axle , Trailer axle.
 Services all Q brake sizes including Fruehauf, except those on front steering axles. Does not include anchor pin or anchor pin bushings. Services 1 brake.
 Replaces: HK4515Q881, HK4515Q8814, K125, K303

BRAKE REPAIR KITS

KIT 8026HD

Meritor 16-1/2" Q



| ITEM | QTY | PART NUMBER | DESCRIPTION | APPLICATION INFORMATION |
|------|-----|-------------|---------------------|--|
| 1 | 2 | 1225-B-496 | Anchor Pin Bushing | Contains heavy duty anchor pins, retaining springs, and return springs. Services 1 brake. For Mack. Replaces: E5086, HK1657M50, K293, MK2, MK93, TA82A |
| 2 | 2 | 1259-V-308 | Anchor Pin | |
| 3 | 1 | 2258-W-803 | Return Spring | |
| 4 | 2 | 2258-X-804 | Retainer Spring | |
| 5 | 2 | 2247-X-128 | Roller | |
| 6 | 2 | 3105-B-210 | Roller Retainer | |
| 7 | 2 | 1218-G-85 | Return Spring Pin | |
| 8 | 2 | 19-X-143 | Retainer Spring Pin | |
| 9 | 2 | 1229-G-1099 | Snap Ring | |

KIT 8027

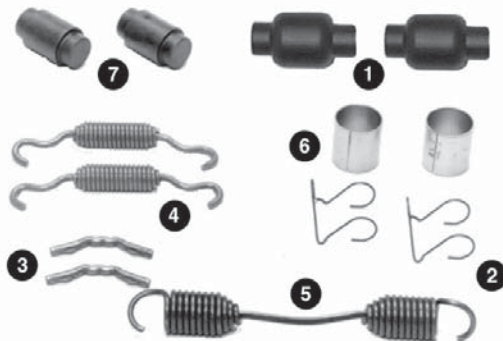
Meritor 16-1/2" Q



| ITEM | QTY | PART NUMBER | DESCRIPTION | APPLICATION INFORMATION |
|------|-----|-------------|--------------------|---|
| 1 | 2 | 2258-Q-615 | Retainer Spring | Front steering axles. Services 1 brake. Replaces: TA80A |
| 2 | 1 | 2258-S-643 | Return Spring | |
| 3 | 2 | 1225-B-496 | Anchor Pin Bushing | |
| 4 | 2 | 1259-N-274 | Anchor Pin | |

KIT 8037

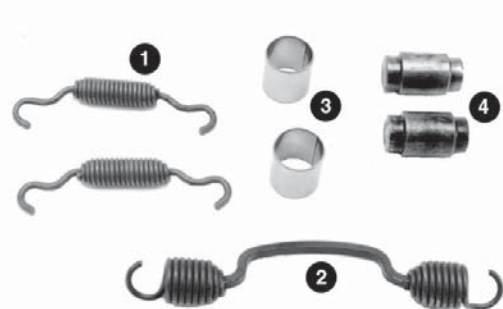
Meritor 16-1/2" Q



| ITEM | QTY | PART NUMBER | DESCRIPTION | APPLICATION INFORMATION |
|------|-----|-------------|--------------------|--|
| 1 | 2 | 2297-T-7222 | Brake Shoe Roller | Front steering axles. Services Q brakes of front steering axles. Services 1 brake. Replaces: E9070, HK1657QFL, K366, MF3 |
| 2 | 2 | 3105-B-210 | Roller Retainer | |
| 3 | 2 | 1218-G-85 | Return Spring Pin | |
| 4 | 2 | 2258-Q-615 | Retainer Spring | |
| 5 | 1 | 2258-S-643 | Return Spring | |
| 6 | 2 | 1225-B-496 | Anchor Pin Bushing | |
| 7 | 2 | 1259-N-274 | Anchor Pin | |

KIT 8080

Meritor 16-1/2" Q



| ITEM | QTY | PART NUMBER | DESCRIPTION | APPLICATION INFORMATION |
|------|-----|-------------|--------------------|--|
| 1 | 2 | 2258-Q-615 | Retainer Spring | Front steering axles. Services old clipped and hammerclaw cams on steering axles and relocated return spring hole shoes. Services 1 brake. |
| 2 | 1 | 2258-Y-1273 | Return Spring | |
| 3 | 2 | 1259-N-274 | Anchor Pin | |
| 4 | 2 | 1225-B-496 | Anchor Pin Bushing | |

BRAKE REPAIR KITS

KIT 8081

Meritor 16-1/2" Q

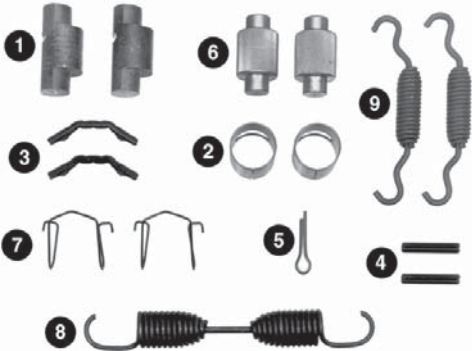


| ITEM | QTY | PART NUMBER | DESCRIPTION |
|------|-----|-------------|--------------------|
| 1 | 1 | 2258-Y-1273 | Return Spring |
| 2 | 2 | 2258-Q-615 | Retainer Spring |
| 3 | 2 | 1259-N-274 | Anchor Pin |
| 4 | 2 | 1225-B-496 | Anchor Pin Bushing |
| 5 | 2 | 2297-T-7222 | Brake Shoe Roller |
| 6 | 2 | 3105-B-210 | Roller Retainer |
| 7 | 2 | 1218-G-85 | Return Spring Pin |

APPLICATION INFORMATION
 Front steering axles. Same as KIT 8080 except has rollers, retainers and spring pins.
 Services 1 brake.
 Replaces: E3858, E9644, HK1657QM, HK4524QM, K292, MK92

R507087

Meritor 16-1/2" Q

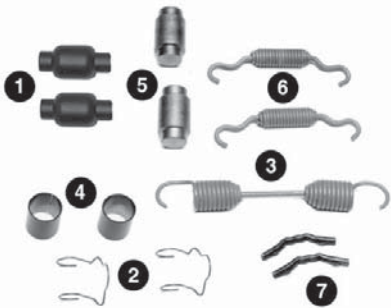


| ITEM | QTY | PART NUMBER | DESCRIPTION |
|------|-----|-------------|--------------------|
| 1 | 2 | R547028 | Anchor Pin |
| 2 | 2 | 1225-A-443 | Anchor Pin Bushing |
| 3 | 2 | 1218-G-85 | Return Spring Pin |
| 4 | 2 | 1199-E-1695 | Drive Pin |
| 5 | 1 | R001559 | Cotter Pin |
| 6 | 2 | 2297-T-7222 | Brake Shoe Roller |
| 7 | 2 | 1718-Y-103 | Roller Retainer |
| 8 | 1 | 2258-U-619 | Return Spring |
| 9 | 2 | 2258-Q-615 | Retainer Spring |

APPLICATION INFORMATION
 Trailer axle. Special offset anchor pin allows use of Meritor "Q" brake shoes on Fruehauf Pro-Par® axles.
 Services 1 brake.
 Replaces: E9142, K326

KIT 8844HD

Meritor 16-1/2" Q Plus™



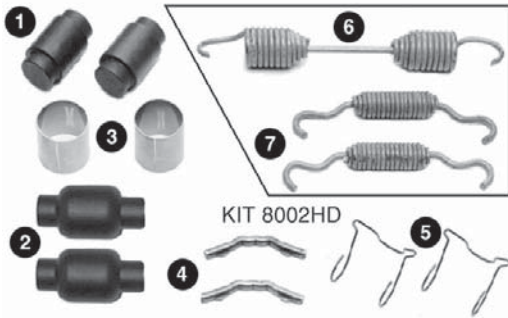
| ITEM | QTY | PART NUMBER | DESCRIPTION |
|------|-----|-------------|--------------------|
| 1 | 2 | 1225-B-496 | Anchor Pin Bushing |
| 2 | 2 | 1259-V-308 | Anchor Pin |
| 3 | 1 | 2258-W-803 | Return Spring |
| 4 | 2 | 2258-H-1230 | Retainer Spring |
| 5 | 2 | 2297-T-7222 | Brake Shoe Roller |
| 6 | 2 | 3105-B-210 | Roller Retainer |
| 7 | 2 | 1218-G-85 | Return Spring Pin |

APPLICATION INFORMATION
 Use with A-3222-X-2208 Mack Q Plus™ heavy duty shoe.
 Services 1 brake.

BRAKE REPAIR KITS

KIT 8000HD
KIT 8000HDBULK

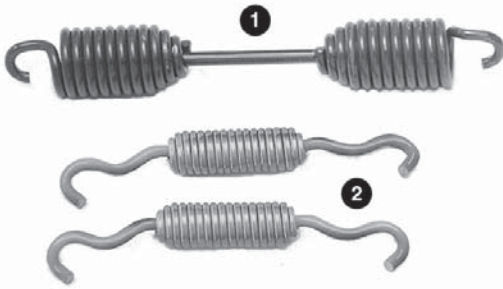
Meritor 16-1/2" Q and Q Plus™
(Bagged)



| ITEM | QTY | PART NUMBER | DESCRIPTION | APPLICATION INFORMATION |
|------|-----|-------------|--------------------|--|
| 1 | 2 | 1259-N-274 | Anchor Pin | Drive axle , Trailer axle. |
| 2 | 2 | 2297-T-7222 | Brake Shoe Roller | Same as KIT 8000 but with heavy duty return spring. |
| 3 | 2 | 1225-B-496 | Anchor Pin Bushing | Services all Q brake sizes, including Fruehauf, except those on front steering axles. |
| 4 | 2 | 1218-G-85 | Return Spring Pin | |
| 5 | 2 | 3105-B-210 | Roller Retainer | |
| 6 | 1 | 2258-W-803 | Return Spring | Services 1 brake. |
| 7 | 2 | 2258-Q-615 | Retainer Spring | Replaces: 291AR, 291ARBULK, 29A, 66867, E2769, E2769HD, E2769SHD, E2769SHDR, HK4515Q34, K128, K128K, MK39, MK72, QK1MPHD, QKINT, S23752, TA64A |

KIT 8002HD
KIT 8002HDBULK

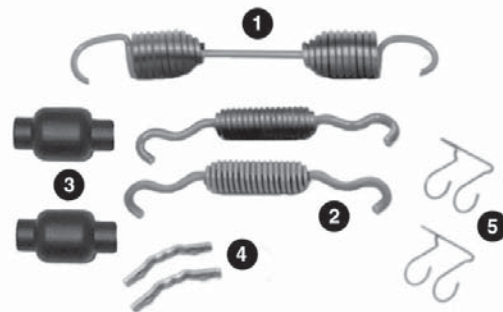
Meritor 16-1/2" Q and Q Plus™
(Bagged)



| ITEM | QTY | PART NUMBER | DESCRIPTION | APPLICATION INFORMATION |
|------|-----|-------------|-----------------|--|
| 1 | 1 | 2258-W-803 | Return Spring | |
| 2 | 2 | 2258-Q-615 | Retainer Spring | Drive axle , Trailer axle. Contains heavy duty return spring. Services all Q brake sizes, incl. Fruehauf, except those on front steering axles. Services 1 brake. Replaces: K1 |

KIT 8014HD

Meritor 16-1/2" Q and Q Plus™



| ITEM | QTY | PART NUMBER | DESCRIPTION | APPLICATION INFORMATION |
|------|-----|-------------|-------------------|--|
| 1 | 1 | 2258-W-803 | Return Spring | |
| 2 | 2 | 2258-Q-615 | Retainer Spring | Drive axle , Trailer axle. |
| 3 | 2 | 2297-T-7222 | Brake Shoe Roller | Same as KIT 8014 except with heavy duty return spring. |
| 4 | 2 | 1218-G-85 | Return Spring Pin | Services 1 brake. |
| 5 | 2 | 3105-B-210 | Roller Retainer | Replaces: E3895SHD, HK4515Q883, HK4515Q8834, K304, KIT3895SHD, QK2HD |

KIT 8318SS

Meritor 16-1/2" Q and Q Plus™

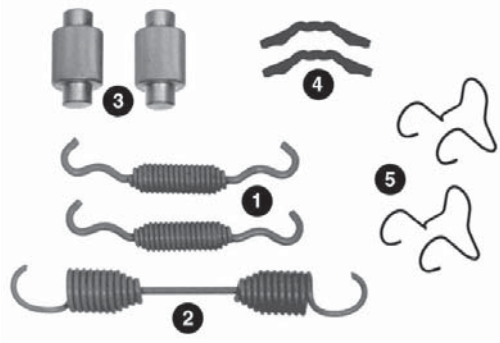


| ITEM | QTY | PART NUMBER | DESCRIPTION | APPLICATION INFORMATION |
|------|-----|-------------|-----------------|---|
| 1 | 2 | 2258-Q-615 | Retainer Spring | |
| 2 | 1 | 2258-Y-1273 | Return Spring | Used on "High-Mount" 16-1/2" x 5" and 6" Q and Q Plus™ brake shoes. |

BRAKE REPAIR KITS

MKT 4515U

Universal 16-1/2" Quick Change

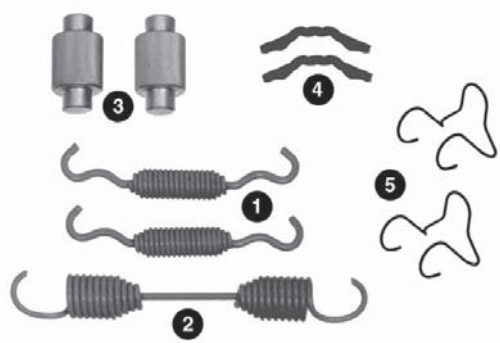


| ITEM | QTY | PART NUMBER | DESCRIPTION |
|------|-----|---------------------|-------------------|
| 1 | 2 | Not Sold Separately | Retainer Spring |
| 1 | 2 | Not Sold Separately | Return Spring |
| 3 | 2 | Not Sold Separately | Brake Shoe Roller |
| 4 | 2 | Not Sold Separately | Return Spring Pin |
| 5 | 2 | Not Sold Separately | Roller Retainer |

APPLICATION INFORMATION
 Services all Q brake sizes including Fruehauf, except those on front steering axles. Does not include anchor pin or anchor pin bushings.
 Services 1 brake.
 Replaces: CQ6861, E4515U, TA38A, 08-1428, 08-108812, 08-142800, K125, K303, QK-2, QK-2S, HK4515Q-881, HK4515Q-8814

**MKT 4515UHD
MKT 4515UHDK**

**Universal 16-1/2" Quick Change
(Knurled Rollers)**

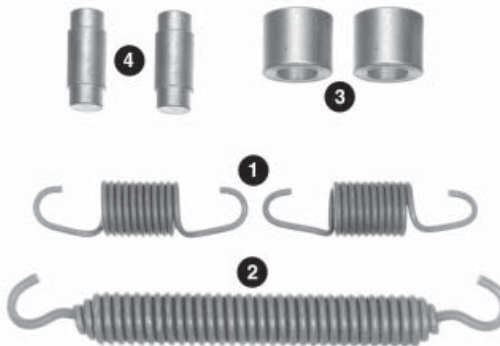


| ITEM | QTY | PART NUMBER | DESCRIPTION |
|------|-----|---------------------|-------------------|
| 1 | 2 | Not Sold Separately | Retainer Spring |
| 2 | 1 | Not Sold Separately | Return Spring |
| 3 | 2 | Not Sold Separately | Brake Shoe Roller |
| 4 | 2 | Not Sold Separately | Return Spring Pin |
| 5 | 2 | Not Sold Separately | Roller Retainer |

APPLICATION INFORMATION
 Services all Q brake sizes including Fruehauf, except those on front steering axles. With heavy duty return spring. Does not include anchor pin or anchor pin bushings.
 Services 1 brake.
 Replaces: E4515UHD, K304, QK-2HD, QK-2SHD, HK4515Q-883, HK4515Q-8834

R507072

Eaton 18" Cam



| ITEM | QTY | PART NUMBER | DESCRIPTION |
|------|-----|----------------|-----------------|
| 1 | 2 | R567028 | Retainer Spring |
| 2 | 1 | R567027 | Return Spring |
| 3 | 2 | R517016 | Roller |
| 4 | 2 | R517017 | Roller Pin |

APPLICATION INFORMATION
 Drive axle. For use with cast shoes.
 Services 1 brake.
 Replaces: 1005006, 26A, E2821, EK2, HK1800E, K275, MK58

KIT 9179

Meritor 18" P



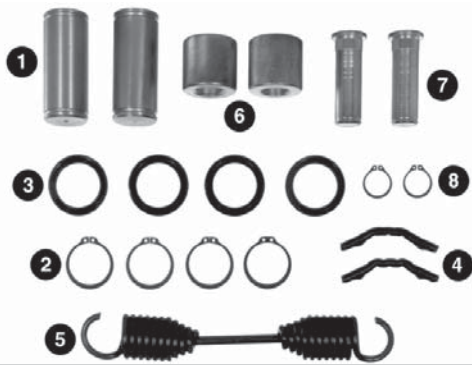
| ITEM | QTY | PART NUMBER | DESCRIPTION |
|------|-----|----------------------|----------------|
| 1 | 2 | 1199-U-3765 | Roller |
| 2 | 2 | 1218-C-107 | RETAINING CLIP |
| 3 | 1 | 2258-R-590 | Return Spring |
| 4 | 2 | 1259-R-252 | Anchor Pin |
| 5 | 4 | A-1205-S-1943 | Seal |
| 6 | 4 | 1229-X-1116 | Snap Ring |
| 7 | 2 | S-266D | Capscrew |
| 8 | 4 | 1225-F-266 | Bushing |

APPLICATION INFORMATION
 Drive axle.
 Services 1 brake.
 Replaces: E3518, K274, MK59, RK1, TA68A

BRAKE SHOE HOLD-DOWN KITS

R507079

Std. Forge 18" Cam



| ITEM | QTY | PART NUMBER | DESCRIPTION |
|------|-----|---------------|-------------------|
| 1 | 2 | 1259-Q-251 | Anchor Pin |
| 2 | 4 | 1229-X-1116 | Snap Ring |
| 3 | 4 | A-1205-S-1943 | Seal |
| 4 | 2 | 1218-G-85 | Return Spring Pin |
| 5 | 1 | 2258-W-803 | Return Spring |
| 6 | 2 | R517003 | Roller |
| 7 | 2 | R517506 | Roller Pin |
| 8 | 2 | 1229-T-3166 | Snap Ring |

APPLICATION INFORMATION

Trailer axle. For use with fabricated shoes. Services 1 brake. Replaces: 27A, CQ65521, E5499, SK1

KIT 8020

Meritor 15" Q



| ITEM | QTY | PART NUMBER | DESCRIPTION |
|------|-----|-------------|----------------|
| 1 | 2 | 2257-U-1061 | Hold Down Clip |
| 2 | 2 | 2257-T-1060 | Hold Down Clip |
| 3 | 2 | S-248 | Capscrew |
| 4 | 2 | N-34 | Nut |

APPLICATION INFORMATION

Shoe hold down kit for 1-1/2" and 2" offset backing plates. Use 2257-U-1061 for 2" offset. Use 2257-T-1060 for 1-1/2" offset. Has U.S. standard threads. Services 1 brake. Replaces: K284287

KIT 9020

Meritor 15" and 16-1/4" Stopmaster and T



| ITEM | QTY | PART NUMBER | DESCRIPTION |
|------|-----|-------------|----------------|
| 1 | 2 | 2257-M-1001 | Hold Down Clip |
| 2 | 2 | S-146 | Capscrew |
| 3 | 2 | WA-34Z | Lockwasher |
| 4 | 2 | N-14 | Nut |

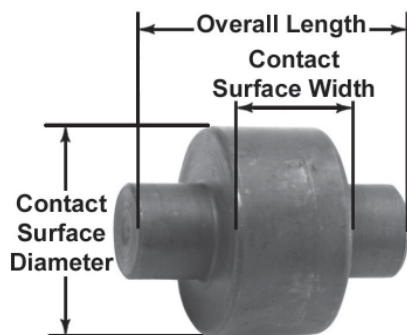
APPLICATION INFORMATION

Hold-down kit for single actuated Stopmaster and T brakes. Services one brake. Similar to KIT 1162 but has U.S. standard threads. Replaces: E2522, E2522(2), K284, L1020, L1020(2), L756, M850, M850(2)

INDEX

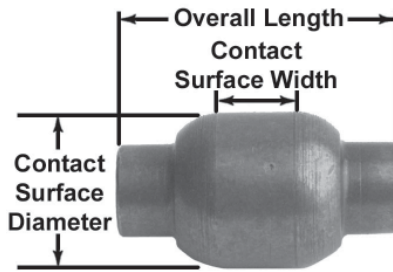
| | |
|---------------------------------------|------|
| Anchor Pin Bushings | 3-7 |
| Anchor Pin Felt Seal | 3-8 |
| Anchor Pin Links | 3-8 |
| Anchor Pin Locks | 3-8 |
| Anchor Pin Nuts | 3-10 |
| Anchor Pin Retainers | 3-8 |
| Anchor Pin Snap Ring | 3-9 |
| Anchor Pin Washers | 3-9 |
| Anchor Pins | 3-5 |
| Anti-Rattle Rods | 3-15 |
| Brake Return Spring Pins | 3-15 |
| Brake Shoe Bushings | 3-10 |
| Brake Shoe Hold-Down Springs | 3-15 |
| Brake Shoe Roller Pin Snap Ring | 3-3 |
| Brake Shoe Roller Retainers | 3-4 |
| Brake Shoe Roller Pins | 3-3 |
| Brake Shoe Roller Retainers | 3-16 |
| Brake Shoe Rollers | 3-ii |
| Cam Brake Springs | 3-11 |
| Hold Down Clips | 3-16 |
| Retaining Spring Pin | 3-15 |
| Spacer Plate | 3-16 |

BRAKE SHOE ROLLERS

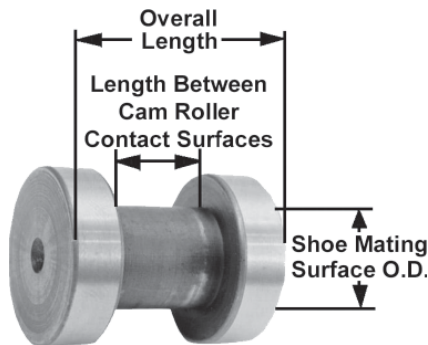


| PART NUMBER | OVERALL LENGTH | CONTACT SURFACE WIDTH | CONTACT SURFACE DIAMETER | REPLACES | APPLICATION INFORMATION |
|-------------|----------------|-----------------------|--------------------------|---|---|
| 1779-A-131 | 1-47/64" | 23/32" | 1-39/64" | | Use on 14-1/2" x 4" and 5" W brakes. |
| 1779-B-132 | 1-47/64" | 23/32" | 1-47/64" | M1544 | Use on 14-1/2" x 4" and 5" W brakes. |
| 1779-D-134 | 1-47/64" | 23/32" | 2" | M1545 | Use on 14-1/2" x 4" and 5" W brakes. |
| 1779-J-114 | 1-47/64" | 47/64" | 1-1/2" | BP105, E10812, L260, M1543 | Use on 14-1/2" x 4", 5" and 6" W brakes. |
| R517510 | 2-5/32" | 1-1/4" | 1-1/4" | 2806234, B430, B430K, C63015, E5477, L2960 | Use on 15" and 16-1/2" Eaton "ES" brake. Zinc yellow dichromate plated. |
| 1199-U-3765 | 2-13/64" | 15/16" | 1-5/8" | 66610, B923, C66610, E3511, L1646, M2719 | Use on 16-1/2" x 7" and 18" x 7" P cast shoe brakes. |
| R517002 | 2-7/32" | 1-1/4" | 1" | 321430, 67447, B054, C67447, E1582, L1696, M1054, M16WJ121 | Pro-Par® 12-1/4, Spicer "XL" Brakes |
| 1779-B-1172 | 2-1/4" | 1-5/16" | 1-1/4" | 204101001, 321425, B941, L149, M16WJ104, M596 | Use on 16-1/2" x 6" and 7" P and Q brakes. Zinc plated. |
| 1779-C-81 | 2-1/4" | 1-5/16" | 1-3/8" | 321426, 65435, B611, C65435, E2215, E781, L1717, L294, M596A | Use on 16-1/2" P brakes. 1/8" oversize. |
| 1779-D-82 | 2-1/4" | 1-5/16" | 1-1/2" | 204105, 321427, 65470, B586, C65470, E586, L158, M16WJ114, M597 | Use on 16-1/2" P brakes. 1/4" oversize. |
| 1779-E-83 | 2-1/4" | 1-5/16" | 1-3/4" | E598, L237, M598 | Use on 16-1/2" P brakes. 1/2" oversize. |
| 1779-X-180 | 2-19/64" | 1-15/64" | 1-1/2" | E10823 | Use on 14-1/2" x 8" W brakes. |
| 2297-Q-8233 | 2-5/16" | 61/64" | 1-1/4" | | 16-1/2" Cast Plus brakes. Standard roller. |
| 2297-S-8235 | 2-5/16" | 61/64" | 1-3/8" | | 16-1/2" Cast Plus brakes. 1X oversized roller. |
| 2297-R-8234 | 2-5/16" | 61/64" | 1-1/2" | | 16-1/2" Cast Plus brakes. 2X oversized roller. |
| 2297-T-8236 | 2-5/16" | 61/64" | 1-5/8" | | 16-1/2" Cast Plus brakes. 3X oversized roller. |
| 1779-U-593 | 2-41/64" | 1-17/64" | 1-1/2" | E10824 | Use on 14-1/2" x 10" W brakes. Standard size roller. Type I and III. |
| 1779-H-1776 | 2-41/64" | 1-21/64" | 1-5/8" | | Use on 14-1/2" x 10" W brakes. 1/8" oversized roller. Type I and III. |
| 1779-J-1778 | 2-41/64" | 1-21/64" | 1-47/64" | | Use on 14-1/2" x 10" W brakes. 1/4" oversized roller. Type I and III. |
| 1779-L-116 | 2-41/64" | 1-25/64" | 1-1/2" | BP109, E10838, L430 | Use on 14-1/2" x 10" W brakes. Standard size roller. Type II. |
| 1779-Q-329 | 2-41/64" | 1-29/64" | 1-47/64" | | Use on 14-1/2" x 10" W brakes. 2X oversized roller. Type II. |

BRAKE SHOE ROLLERS



| PART NUMBER | OVERALL LENGTH | CONTACT SURFACE WIDTH | CONTACT SURFACE DIAMETER | REPLACES | APPLICATION INFORMATION |
|-------------|----------------|-----------------------|--------------------------|--|--|
| 2297-T-7222 | 2-1/4" | 1-5/16" | 1-1/4" | 204101001, 22107, 321425, 321428, 38024, 65326, 66901, B911, B941, C66901, E2177, E523, L149, L1533, M16WJ104, M2204, M596 | Use on 16-1/2" x 6" and 7" P and Q brakes. |



| PART NUMBER | OVERALL LENGTH | LENGTH BETWEEN CAM ROLLER CONTACT SURFACES | SHOE MATING SURFACE OUTER DIAMETER | REPLACES | APPLICATION INFORMATION |
|-------------|----------------|--|------------------------------------|---|--|
| R517001 | 1-5/16" | 3/8" | .74" | 1005204, 22110, 321463, 321464, 321465, B725, B872, E3421A, L1691, L2811, L2826, L296, L297, M2724, M3347, M601 | Eaton 15 x 4 single anchor pin. Meritor 15 x 3-1/2 and 15 x 4 "T" brake. |
| 1199-G-3725 | 1-3/8" | 3/8" | .74" | 66834 | Use on 15" x 3-1/2" and 4" T and Q brakes. |
| 1779-M-403 | 1-5/8" | 7/8" | .74" | | Use on 17-1/4" TW brakes. Use with 1718-M-169 retainer. |
| 2297-D-7206 | 2-5/32" | 5/8" | 25/32" | | Use on 15" Q Plus™ brakes with TracLok. Use with 2105-G-1047 retainer. |

BRAKE SHOE ROLLERS

| PART NUMBER | I.D. | O.D. | LENGTH | REPLACES | APPLICATION INFORMATION |
|-------------|--------|--------|---------|---|--|
| R517003 | 3/4" | 1-1/2" | 1-3/8" | 204108001, 22109, 321445, 66871, B133, C67490, E2395, L1280, M10HD101, M594 | Knurled roller. For Dexter, Spicer and Standard Forge 12-1/4" fabricated brake shoes |
| 1199-A-625 | 49/64" | 1-1/4" | .937" | 11509, 204100001, 321435, 321437, 321438, 65300, B1220, B500, C63022, C65300, E2111A, E2176, E500, L100, L1716, L1783, M10HD100, M602 | Use on 16-1/2" x 7" P brakes. Use with 1246-G-475. |
| 2297-C-5021 | 49/64" | 1-1/2" | 1-7/16" | 321467, 67466, B135, C67466, E3483, L2352, M2727 | Use on 12-1/4" x 7-1/2" Q brakes. |
| R517006 | 15/16" | 1-5/8" | 23/32" | 22108, 321441, 39074, 65430, 66902, B052, B942, C63030, E2217, E2217A, E595, L1534, L250, M3261, M592 | Special alloy steel to withstand off highway use or severe highway conditions. Zinc yellow dichromate. |

BRAKE SHOE ROLLER PINS

2



| PART NUMBER | O.D. | LENGTH | REPLACES | APPLICATION INFORMATION |
|--------------------|--------|----------|--|--|
| R517509 | 15/16" | 1-21/32" | 22260, 321442, 39075, 65431, B152, E596A, L251, M612 | For late model Eaton axles. Also used for cast shoes. Hi-Kromite plated. |
| R517506 | 3/4" | 2-1/4" | 205107001, 22261, 321446, B132, C67487, E2296, E2396, L1281, M1005, M10WJ116 | Use with R517003 roller and 1229-T-3166 retainer. Hi-Kromite plated. |
| 1246-G-475 | 3/4" | 2-1/4" | 205100001, 321440, 65301, B499, C65301, E501, L101, L240, M10SS100, M613 | Use on 16-1/2" x 7" P brakes. |
| 1246-F-1020 | 3/4" | 2-7/16" | 321468, 67467, B134, C67467, E3482, L2353, M2718 | Use on 12-1/4" x 7-1/2" Q brakes. Use with 1229-T-3166 snap ring and 2297-C-5021 roller. See KIT 8004. |

BRAKE SHOE ROLLER PIN SNAP RING



| PART NUMBER | O.D. | THICKNESS | REPLACES | APPLICATION INFORMATION |
|--------------------|--------|-----------|--|--|
| 1229-T-3166 | 11/16" | 3/64" | 214102, 341526, 65311, 820063, B1661, B379, C65311, E527, L118, M10HR102, M645 | Snap ring for brake shoe roller pin on 12-1/4" Q brakes. See KIT 8004. |

BRAKE SHOE ROLLER RETAINERS

| PART NUMBER | LENGTH | WIRE DIAMETER | REPLACES | APPLICATION INFORMATION |
|-------------|--------|---------------|----------|-------------------------|
|-------------|--------|---------------|----------|-------------------------|



R527002

22112, 2808058, 341530,
65376, B498, E3227, L894,
M1428

For Pro-Par® axles with
12-1/4" brakes.



R527001

341531, 67448, B868,
C67448, E1581, L1697,
M1055

For Pro-Par® axles with
16-1/2" brakes including
"XEM".



3105-B-210

1-7/8"

.067"

22113, 341532, 38030,
66903, B161, B161B,
E3007A, L1537, M1433

Use on all 16-1/2" Q and Q
Plus™ brakes. Allows for
quick change of Q and Q
Plus™ shoes.



1718-Y-103








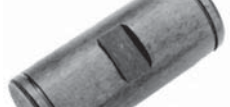




2-9/32"

5/64"

11229, 214103, 22111,
341529, 38028, 65327,
808058, B151, B431,
C63001, C65327, E539,
E5478, L151, L2961,
M16WJ103, M3361, M644

Use on all sizes of 16-1/2"
fabricated P shoes.

ANCHOR PINS

| PART NUMBER | LENGTH | O.D. | REPLACES | APPLICATION INFORMATION |
|---|----------|--------|--|---|
|  1259-V-308 | 2-11/32" | 1-1/4" | B122, C63067, E5087, L2952, M3246 | Use on all 16-1/2" brakes with heavy duty shoes. |
|  1259-N-274 | 2-7/32" | 1-1/4" | 10990, 15542, 22130, 66866, B120, C66866, E2766, E2766S, L1416, M1422, M16WJ105 | Used on 15" and 16-1/2" truck, tractor, and trailer brakes with standard shoes. |
|  R537005 | 2-3/8" | 1-1/4" | 15536, 22132, B277, E3711, E3711S, L2364, M2748 | Late model Fruehauf "XEM" brakes. Zinc chromate plated. |
|  R547028 | 2-3/8" | 1-1/4" | ACF00266800X, E9061, L3032 | Offset to allow use of 3222-S-1293 "Q" Brake shoes with Pro-Par axle spiders. |
|  1259-X-1012 | 2-11/16" | 1-1/4" | B950, C69611, E3869, E3870, L2930 | Use on 15" x 4" brakes |
|  R537001 | 2-3/4" | 1" | 15537, 203108, 203112001, 22129, 66683, B216, C67473, E2390, L1368, L1585, M1003, M10WJ108 | Late model Std. Forge Fabricated Shoes. Use with R547003 and R547004 |
|  1259-B-262 | 2-3/4" | 1-1/4" | 15550, 66841, B262, C66841, E3424, L1736, L754, M2706 | Use on 15" x 3-1/2" and 4" type 1 and 2 T brakes. |
|  1259-M-1131 | 2-27/32" | 1-1/4" | B887 | Use on 16-1/2" brakes with fabricated shoes. Can replace 1259-Q-251 when used with 1229-D-2942 snap ring. |
|  1259-Q-251 | 2-7/8" | 1-1/4" | 15525, 15526, 15528, 22128, 65328, B251, E512, E512S, E744, L152, M10WJ162, M620 | Use on 16-1/2" tractor brakes with fabricated shoes. |
|  1759-Z-26 | 3-5/16" | 1" | 15554, C63073, E3445, M2707 | Eccentric pin used on some 16-1/4" brakes. |
|  1259-L-194 | 3-7/16" | 1-1/4" | BP110, E10835, L470 | Use on 14-1/2" x 10" Type 2 coach brakes. Has lubrication holes, chrome plated. |
|  1259-K-1181 | 3-43/64" | 1-1/4" | | Use with A3222-J-2428 16-1/2" Cast Plus brake shoe with tight tolerance set-up. |

ANCHOR PINS



| PART NUMBER | LENGTH | O. D. | REPLACES | APPLICATION INFORMATION |
|-------------|----------|--------|---|--|
| 1259-N-1132 | 3-43/64" | 1-1/4" | 11090, 15532, 203100001, 820012, B1223, B2023, B311, E2119, E502, L1784, M10WJ159, M2704 | Use on 16-1/2" x 7" heavy duty fabricated and cast shoes and 18" x 7" cast shoes. Can replace 1259-R-252 when used with 1229-D-2942 snap ring. |
| 1259-R-252 | 3-3/4" | 1-1/4" | 11007, 11090, 15531, 15532, 203100001, 203100002, 65307, 65308, 820012, B1223, B12232, B311, E502, E503, L113, M10WJ159, M10WJ160, M619 | |
| 1259-X-76 | 4-3/8" | 1-1/4" | BP104, E10814, L103, M626 | Use on 14-1/2" x 4" and 6" coach brakes. Has lubrication holes. |
| 1259-D-238 | 4-13/16" | 1-1/2" | | |
| 1259-W-205 | 5-7/8" | 1-1/4" | E10820 | Use on 14-1/2" x 5" coach brakes. Has lubrication holes. |
| 1259-P-198 | 6-7/8" | 1-1/4" | E10825 | Use on 14-1/2" x 10" and 8" Type 3 coach brakes. Tapered pin. Has lubrication holes, chrome plated. |

ANCHOR PIN BUSHINGS



| PART NUMBER | I.D. | O.D. | LENGTH | REPLACES | APPLICATION INFORMATION |
|-------------------|--------|--------|----------|---|---|
| 1225-B-496 | 1-1/4" | 1-3/8" | 1-7/16" | 16563, 16565, 22141, 2809506, 65732, 88422, B888D, B888S, C63084, E1893, E8938, L1498, M747 | Used on 15" and 16-1/2" truck, tractor, and trailer brakes with standard shoes. |
| R547008 | 1-1/4" | 1-3/8" | 1-7/16" | B888, C65372, E1893S, L888 | No slot. Use with 1259-M-1131 pin. Same as 1225-B-496 except carbon steel. |
| 1225-U-827 | 1-1/4" | 1-3/8" | 1-29/64" | B495, E919, E920, E920S, L595 | Use on 16-1/2" P brakes. Stainless steel. 1/2" slot on center. |
| 1225-X-440 | 1-1/4" | 1-1/2" | 1-15/32" | BP108, E10836, L566 | Use on 14-1/2" x 10" Type 2 W series coach brakes. |

ANCHOR PIN LOCKS



| PART NUMBER | I.D. | THICKNESS | LENGTH | REPLACES | APPLICATION INFORMATION |
|-------------|--------|-----------|--------|---|-------------------------|
| 1218-L-90 | 1" | 5/64" | 1-3/4" | 11006, 214106, 341528, 65305, 820007, B111, B1214, C65305, E538, L111, M10HR123, M640 | |
| 1218-Z-52 | 1-1/8" | 1/8" | | BP107, E10834 | |

ANCHOR PIN LINKS



| PART NUMBER | HOLE CENTER TO HOLE CENTER | HOLE DIAMETER | LENGTH | REPLACES | APPLICATION INFORMATION |
|-------------|----------------------------|---------------|--------|--|--|
| R547005 | 1-15/16" | 7/8" | | 11526, 341538, 999100, E1289, L1284, M10HR101, M652A | Early Model Std. Forge 12-1/4" brakes with cast shoes. |
| 1245-E-161 | 2-1/2" | 51/64" | 4-3/4" | E10829 | Use on 14-1/2" x 8" and 10" Type 1 W brakes. |
| 1245-N-144 | 2-1/2" | 1-1/4" | 4-3/4" | E10819 | Use on 14-1/2" x 5" W brakes. |

ANCHOR PIN RETAINERS









| PART NUMBER | I.D. | O.D. | THICKNESS | REPLACES | APPLICATION INFORMATION |
|-------------|------|--------|-----------|---|-----------------------------------|
| 1229-M-221 | 7/8" | 31/32" | 3/32" | 11527, 341535, 403104, 65561, 66544, C65561, E1106, L1755, L455, M10HN154, M725 | Use on 16-1/4" x 3-1/2" T brakes. |

ANCHOR PIN FELT SEAL




| PART NUMBER | I.D. | O.D. | THICKNESS | REPLACES | APPLICATION INFORMATION |
|-------------|--------|--------|-----------|---|---|
| 5-X-640 | 1-1/4" | 1-5/8" | 1/8" | 351576, 65303, B901, C63101, E537, L109, M641 | Anchor pin felt. Use with 1205-K-193 retainer on 16-1/2" fabricated P brakes. |

ANCHOR PIN WASHERS

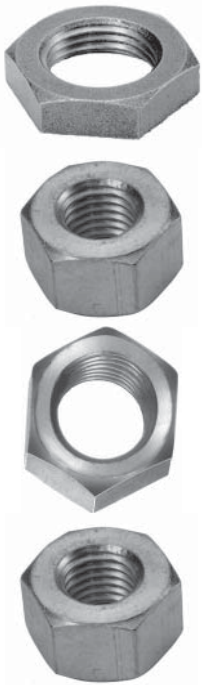
| | PART NUMBER | I.D. | O.D. | THICKNESS | REPLACES | APPLICATION INFORMATION |
|---|-------------|----------|---------------|-----------|--|--|
|  | 1229-D-108 | 11/32" | 1" x 1-47/64" | 11/64" | E10817 | Use on 14-1/2" x 4" and 6" W series brakes. Use on 15" x 3-1/2" and 4" T brakes. |
|  | 1229-U-593 | 3/4" | 1-1/4" | 3/64" | | Use on 14-1/2" x 10" W series coach brakes. Use on 15" x 3-1/2" and 4" T brakes. |
|  | 1229-V-1504 | 25/32" | 1-1/4" | 1/8" | B954, C66843, E3869, E3874, HK1308Q, L2933 | Bracket washer. Use on 15" x 4" Q brakes. |
|  | 1229-V-1556 | 25/32" | 1-3/8" | 1/8" | 341552, B556, C66847, E3427, L1751, M2714 | Use on 16" and 16-1/4" T brakes. |
| | 1229-U-1555 | 29/32" | 1-3/4" | 1/4" | | |
|  | 1229-Q-433 | 1-17/64" | 1-7/8" | 1/16" | 351580, 820182, B2019, B988, E1113, L889, M748 | 14-1/2 W brakes. |
| | 1229-B-1848 | 1-17/64" | 1-7/8" | 1/16" | 22134, 351580, 65373, 820182, B2019, B988, E1113, L889, M748 | Used on 12-1/4" x 7-1/2" Q brakes. 16-1/2" x 7", 8-5/8" and 10" P and Q brakes. |
| | 1229-C-1563 | 1-17/64" | 1-7/8" | 1/32" | | Spacer. Use on 14-1/2" x 8" and 10" W series coach brakes. |
|  | 1229-E-1565 | 1-17/64" | 1-7/8" | 3/32" | E10831 | Use on 14-1/2" x 8" and 10" W series coach brakes. |
| | 1229-F-1566 | 1-17/64" | 1-7/8" | 1/8" | E10832 | Use on 14-1/2" x 8" and 10" W series coach brakes. |
| | 1229-G-1567 | 1-17/64" | 1-7/8" | 5/32" | E10833 | Use on 14-1/2" x 8" and 10" W series coach brakes. |

3

ANCHOR PIN SNAP RING

| | PART NUMBER | I.D. | THICKNESS | REPLACES | APPLICATION INFORMATION |
|---|-------------|---------|-----------|---|--|
|  | 1229-X-1116 | 1-5/32" | 3/64" | 13547, 214100, 22137, 2807929, 31624, 341525, 65358, 820007, B1214, B793, C65358, E538, E801, L111, L397, M1523 | Use on 15" x 3-1/2" and 4" T brakes and 16-1/2" P brakes and 12-1/4" Q brakes. |

ANCHOR PIN NUTS



| PART NUMBER | THREAD | HEX | THICKNESS | REPLACES | APPLICATION INFORMATION |
|-------------|---------|---------|-----------|---|-------------------------|
| 13-X-41 | 7/8"-14 | 1-1/4" | 5/16" | | Anchor pin nut. |
| N-112-1 | 3/4"-16 | 1-1/8" | 41/64" | 73 | |
| N-114-1 | 7/8"-14 | 1-5/16" | 3/4" | | |
| R301107 | 3/4"-16 | 1-1/8" | 27/64" | 12052, 341536, 402101, 5003718, C66752, E1107, L509, M724, SA1818 | Anchor pin jam nut. |
| R587001 | 1"-14 | 1-7/16" | 7/8" | 341545, 44672E, 821616, B429, E937, L421, L811, SA1218, SR1011 | Anchor pin lock nut. |

BRAKE SHOE BUSHINGS













| PART NUMBER | I.D. | O.D. | LENGTH | REPLACES | APPLICATION INFORMATION |
|-------------|--------|--------|----------|---|--|
| 1225-F-266 | 1-1/4" | 1-3/8" | 23/32" | 231026, 405101, 65306, B1559, B1599, B1713, B211, B211S, B6154, C65306, E2218, E541, L112, M538 | Bronze. Use on cast and heavy duty fabricated P shoes. |
| 1725-H-8 | 1-1/4" | 1-1/2" | 5/8" | E10839 | Use on 14-1/2" x 10" Type 2 W brakes. |
| 1725-V-22 | 1-1/4" | 1-1/2" | 1-61/64" | E10813 | Use on 14-1/2" Type 1 and 3 W brakes. |

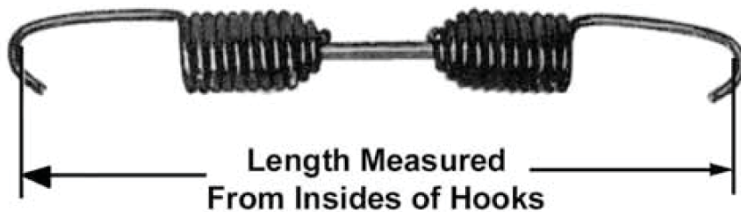
CAM BRAKE SPRINGS



Return Spring colors are for identification purposes only. Colors do not indicate the type or quality of spring wire. Colors may or may not match colors used by OEM.

| | PART NUMBER | LENGTH | COIL O.D. | REPLACES | APPLICATION INFORMATION |
|---|-------------|-----------|-----------|---|---|
|  RED | R567017 | 10" | 1-3/16" | 1000406, 19874, C67786, E2475, L1603, M2733 | Return spring for Eaton front axle and drive axles with "High Mount" shoes. |
|  GRAY | R567503 | 10-3/4" | 1-1/8" | 2806235, 2818278, B432A, C63060, E10197, L2962, M3362 | Heavy duty return spring for Eaton 16-1/2" "ES" and "ES-II" brakes. |
|  GREEN | R567001 | 10-3/4" | 1-5/32" | 1003817, 19857, 19875, 23685, B983, E2785, L1630, L2825, M10WJ115, M2752 | Alternate spring for Eaton 16-1/2" Single Anchor Pin Brake, for extra spindle clearance |
|  RED | R567006 | 10-13/16" | 1-1/8" | 19854, 22122, 65450, 78580, B981, E1428, E1428A, L835, M1014 | Heavy duty return spring for Eaton 16-1/2" standard single anchor pin brakes. |
|  RED | R567012 | 3-9/16" | 1-3/16" | 817017, B433, C63054, E9037, L3173 | Return spring for Eaton 15" x 6" "ES" "Reduced Envelope" front axle brake. Requires two springs per brake assembly. |
|  BLACK | R567501 | 3-7/8" | 5/8" | 1003999, 22125, B999, E5122, L2825, M3345 | Eaton 15" brakes |
|  BLACK | R567011 | 4-3/16" | 3/4" | 11528, 19857, 19858, 208105, 70325, E1025, E2101, L1782, L417, M10WJ115, M10WJ155, M721 | 12-1/4" brakes. 7/64" dia. wire. |
|  ORANGE | R567502 | 4-17/32" | 1" | 19859, 22123, 65320, 70326, B769, E1418, L967, M844 | Retainer spring for Eaton 16-1/2" single anchor pin brakes. |
|  BLUE | 2258-E-1123 | 5-9/32" | 5/8" | B8761, C66854, E3873, E3878, M3236 | Use on 15" x 4" Q brakes. |
|  BLUE | 2258-H-1230 | 5-1/2" | 3/4" | | Retainer spring on Q and Q Plus™ brakes. |

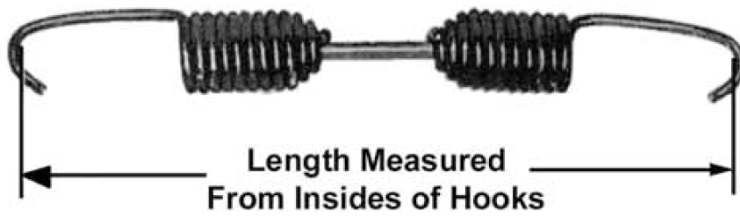
CAM BRAKE SPRINGS













Return Spring colors are for identification purposes only. Colors do not indicate the type or quality of spring wire. Colors may or may not match colors used by OEM.

| | PART NUMBER | LENGTH | COIL O.D. | REPLACES | APPLICATION INFORMATION |
|--|-------------|----------|-----------|--|--|
| <p style="text-align: center;">ORANGE</p> | 2258-Q-615 | 5-1/2" | 3/4" | 19860, 22124, 2809513, 38041, 66863, B220, C66863, E2767, L1417, M1423, M16WJ101 | Retainer spring on Q and Q Plus™ brakes. |
| <p style="text-align: center;">ORANGE</p> | R567505 | 5-1/2" | 13/16" | 819725, B434, C63005, E10198, L-3369, L3369 | Retainer spring for Eaton 15" x 4" "ES" and 16-1/2" x 7" "ES-II" brakes. Install with coil end up. |
| <p style="text-align: center;">BLACK</p> | R567003 | 6" | 1/2" | 1003817, 19866, 66636, 820164, B2010, B427, B8620, E1400, L1035, M791 | 12-1/4" brakes with pressed steel shoe only |
| <p style="text-align: center;">GREEN</p> | 2258-R-590 | 6-1/8" | 3/4" | 66612, B972, C66612, E3512, L2858, M2739 | Use on 16-1/2" x 7" and 18" x 7" P cast shoes. Use with 1218-C-107 hook. |
| <p style="text-align: center;">BLACK</p> | 2258-V-256 | 6-1/4" | 1" | 65444, 66635, 66849, B256, C66849, C67492, E757, L385, M10WJ135, M1507 | Use on 16-1/4" x 3-1/2" T brakes. |
| <p style="text-align: center;">BLUE</p> | R567005 | 6-9/16" | 1" | 19862, 208106, 22121, B307, E2398, L1279, L3148, M1009, M10WJ118 | Heavy Duty version of 2258-V-256 |
| <p style="text-align: center;">GREEN</p> | 2258-B-704 | 6-9/16" | 1-1/8" | 19882, B308, E3481A, L2351, M2728 | Use on 12-1/4" x 7-1/2" Q brakes on TK, TP, TN, TQ and TQD trailer axles. |
| <p style="text-align: center;">BLACK</p> | R567002 | 6-3/4" | 1-1/8" | 19863, 67446, B869, C67446, E1583, L1695, M1056 | Pro-Par® 12-1/4" brakes |
| <p style="text-align: center;">GREEN</p> | 2258-G-579 | 7-11/32" | 27/32" | 19895, B579, C66842, E3437, L1734, M2729 | Use on 15" x 3-1/2" and 4" type 1 and 2 T brakes and 15" RS brakes for 1-1/2" backing plate offset and up. |
| <p style="text-align: center;">BLUE</p> | R567009 | 7-1/8" | 13/16" | 1006562, 22116, 66836, B562, E5123, L2829, M3346 | Eaton 15" front brakes. |

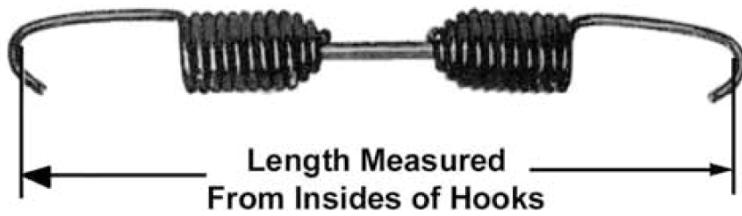
CAM BRAKE SPRINGS



Return Spring colors are for identification purposes only. Colors do not indicate the type or quality of spring wire. Colors may or may not match colors used by OEM.

| | PART NUMBER | LENGTH | COIL O.D. | REPLACES | APPLICATION INFORMATION |
|---|-------------|----------|-----------|---|--|
|  BLACK | 2258-K-1181 | 7-11/16" | 27/32" | B952, E3872, L2931 | Use on 15" x 4" Q brakes. |
|  GREEN | 2258-P-354 | 8" | 1-1/8" | 11227, 208102, 22117, 38034, B971, E545A, L179, M10WJ135, M547, M548 | Use on 16-1/2" P and Q brakes. Use 2258-Z-416 for heavy duty applications. |
|  BLACK | 2258-Z-416 | 8" | 1-1/4" | 11227, 19853, 208102, 22118, 38035, 65449, B728, C65449, E1880A, E1880B, L827, M10WJ135, M792 | Use on 16-1/2" x 7", 8" and 10" P and Q brakes. Also used on Spicer 16-1/2" and 18" "XL" brakes. Heavy duty version of 2258-P-354. |
|  ORANGE | 2258-J-1336 | 8-5/32" | 1-13/64" | | 15" Q Plus™. Mack only. |
|  GRAY | 2258-L-1234 | 8-3/8" | 1-1/8" | B956, C63043, E9063, L3069 | Use on 15" Q Plus™ brakes. |
|  ORANGE | 2258-U-619 | 8-3/8" | 1-1/8" | 19856, 22120, 38037, 66864, B302, C66864, E2239, E2768, L1418, L3067, M1424 | Use on 16-1/2" Q brakes. Use 2258-W-803 for H.D. applications and Q plus brakes. |
|  BLUE | 2258-S-643 | 8-3/8" | 1-1/8" | 19913, B347, C63045, E9069, L3183 | Use on 16-1/2" x 4", 5" and 6" Q brakes on FL series front axles. |
|  BLUE | 2258-W-803 | 8-3/8" | 1-1/4" | E3490B | Use on 16-1/2" Q brakes for heavy duty applications and Q plus brakes. |
|  BLACK | 2258-J-400 | 8-1/2" | 1-1/4" | 65460, BP106, E10826, L574 | Use on 14-1/2" x 8" and 10" type 1, 2 and 3 W brakes. |
|  YELLOW | 2258-J-1440 | 8-11/16" | 5/8" | BP100, E10818, L573, M823 | Use on 14-1/2" x 4", 5" and 6" W brakes. |

CAM BRAKE SPRINGS



Return Spring colors are for identification purposes only. Colors do not indicate the type or quality of spring wire. Colors may or may not match colors used by OEM.



BLACK

| PART NUMBER | LENGTH | COIL O.D. | REPLACES | APPLICATION INFORMATION |
|-------------|----------|-----------|--|---|
| 2258-K-349 | 8-15/16" | 1-1/8" | 19878, 65309, B974, C66614, E543, L115, M549 | Use on 16-1/2" and 18" x 7" P brakes. Use with cast shoes only. |
| 2258-T-1372 | 9-1/16" | 1-1/4" | | 16-1/2" Cast Plus brakes. |
| 2258-Y-1273 | 9-5/64" | 1-13/64" | 19910, B348, B871, C66876, C67320, E3824, E9643, L2843, L3126, M2746 | Use on 16-1/2" x 5" and 6" Q brakes. Use with relocated return spring hole. |



GREEN



GREEN

BRAKE SHOE HOLD-DOWN SPRINGS



| PART NUMBER | LENGTH | COIL O.D. | REPLACES | APPLICATION INFORMATION |
|-------------|--------|-----------|----------|---|
| 2858-M-91 | 1" | 25/32" | | Use on 15" x 3-1/2" and 4" RS & T brakes. |

3

BRAKE SHOE RETURN SPRING PINS



| PART NUMBER | LENGTH | DIA. | REPLACES | APPLICATION INFORMATION |
|-------------|----------|--------|--|---|
| 1218-C-107 | | 1/4" | B973, C66611, E3513, L2859, M2742 | Use on 16-1/2" x 7" cast P shoes. Used with 2258-R-590 return spring. |
| R577001 | 2-1/8" | 15/32" | 207100, 20882, 22114, 405131, B358, C67471, C67476, E2389, E2399, L1373, L1535, M1016, M10WJ119, M10WJ138, M10WJ183, M1558 | Use with fabricated shoes for Standard Forge 12-1/4" brakes. |
| 1246-R-382 | 2-5/32" | 27/64" | E10822 | Use on 14-1/2" x 7" and 8" W brakes. |
| 1218-G-85 | 2-3/4" | 1/4" | 11228, 207102, 20881, 22115, 2809512, 38032, 65351, B423, C65351, E747, L324, M1500, M16WJ102 | Use on fabricated P and Q brake shoes. 2 raised slots. |
| 1746-U-47 | 2-25/32" | 27/64" | E10811 | Use on 14-1/2" x 4" and 5" W brakes. |

RETAINING SPRING PIN



| PART NUMBER | LENGTH | DIA. | REPLACES | APPLICATION INFORMATION |
|-------------|----------|--------|----------|---|
| 19-X-143 | 3-21/32" | 31/64" | E5090 | Use on 16-1/2" Heavy duty. Use A-19-X-143 (includes 1229-G-1099 snap ring.) |

ANTI-RATTLE RODS



| PART NUMBER | LENGTH | DIA. | REPLACES | APPLICATION INFORMATION |
|-------------|---------|------|----------|--|
| 1779-M-377 | 2-7/16" | 1/8" | | Use on 15" T brakes with 1-1/2" offset. Also 15" RDA brakes. |
| 1199-A-3745 | 3-3/8" | 1/8" | E3433 | Use on 15" T brakes with 2" offset. |

HOLD DOWN CLIPS



| PART NUMBER | REPLACES | APPLICATION INFORMATION |
|-------------|----------|--|
| 2257-T-1060 | | Use on 15" x 4" Q brakes with 1-1/2" offset. |
| 2257-U-1061 | | Use on 15" x 4" Q brakes with 2" offset. |

BRAKE SHOE ROLLER RETAINERS



| PART NUMBER | DESCRIPTION | REPLACES | APPLICATION INFORMATION |
|-------------|--|----------|--------------------------------|
| 1807-A-1 | Retainer for spring used with brake shoe anti-rattle rods. | E1466 | Use on T brakes and RD brakes. |

SPACER PLATE



| PART NUMBER | DESCRIPTION | APPLICATION INFORMATION |
|-------------|---------------|---|
| 1199-J-3728 | Spacer plate. | Use on 16-1/2" P brakes with 2-1/2" offset cast shoes only. |

SECTION 4

INDEX

| | |
|---|-------------|
| Unlined Brake Shoes | 4-ii |
| Brake Lining Hardware — Rivets | 4-8 |
| Brake Lining Hardware — Screws..... | 4-8 |

UNLINED BRAKE SHOES

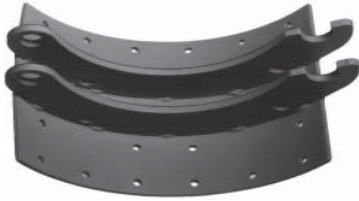
| PART NUMBER | BRAKE MFG. | SIZE | HOLES PER SHOE | FMSI NO. | RIVET NO. & SIZE | REMARKS |
|-------------|------------|------|----------------|----------|------------------|---------|
|-------------|------------|------|----------------|----------|------------------|---------|

12-1/4" Dexter Cam Brakes



| | | | | | | |
|---------|--------|--------------|----|------|-------|---|
| R700015 | Dexter | 12-1/4" x 4" | 12 | 4700 | 3/16" | Trailer axle. Replaces: E9025, L3014 |
|---------|--------|--------------|----|------|-------|---|

12-1/4" Dexter PQ Brakes



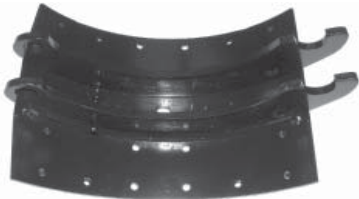
| | | | | | | |
|---------|--------|------------------|----|-------|-------|--|
| R700029 | Dexter | 12-1/4" x 4" | 12 | 4700 | 3/16" | Trailer axle. Replaces: E10876, L3354 |
| R700030 | Dexter | 12-14" x 5" | 12 | 4661C | 3/16" | Trailer axle. Replaces: |
| R700031 | Dexter | 12-1/4" x 7-1/2" | 24 | 4591 | 3/16" | Trailer axle. Replaces: E10878, L3357 |

12-1/4" Fruehauf Cam Brakes



| | | | | | | |
|---------|----------|--------------|----|------|------------------|---|
| R700004 | Fruehauf | 12-1/4" x 8" | 20 | 4649 | RV-388S 3/16" | Trailer axle. Pro-Par®. Replaces: 21929, E1580, L1190, M517 |
|---------|----------|--------------|----|------|------------------|---|

12-1/4" Meritor Q Brakes



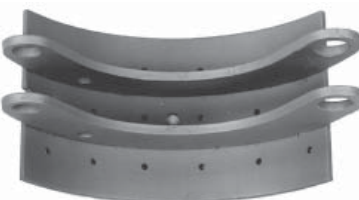
| | | | | | | |
|---------------|---------|------------------|----|------|------------------|---|
| A-3222-V-2466 | Meritor | 12-1/4" x 7-1/4" | 20 | 4670 | RV-3109S 1/4" | Trailer axles. With cut out for ABS sensor. |
|---------------|---------|------------------|----|------|------------------|---|

12-1/4" Spicer Cam Brakes



| | | | | | | |
|---------|--------|------------------|----|------|------|---|
| R700028 | Spicer | 12-1/4" x 7-1/2" | 20 | 4692 | 1/4" | Trailer axle. For use on post 11/1/96 spiders. Replaces: 4692FC2, E10763, M12WS166X |
|---------|--------|------------------|----|------|------|---|

12-1/4" Spicer and Standard Forge Cam Brakes



| | | | | | | |
|---------|---------------------------|------------------|----|-------|------------------|---|
| R700005 | Spicer, Standard Forge | 12-1/4" x 5-1/2" | 18 | 4536B | RV-388S 3/16" | Trailer axle. Heavy duty version for Severe Service. Replaces: 201142, 21931, 4536S, E2393, L1282, M12WS122X, M503 |
|---------|---------------------------|------------------|----|-------|------------------|---|

UNLINED BRAKE SHOES

| PART NUMBER | BRAKE MFG. | SIZE | HOLES PER SHOE | FMSI NO. | RIVET NO. & SIZE | REMARKS |
|-------------|------------|------|----------------|----------|------------------|---------|
|-------------|------------|------|----------------|----------|------------------|---------|

12-1/4" Spicer and Standard Forge Cam Brakes



R700011

Spicer,
Standard
Forge

12-1/4" x
7-1/2"

20

4692

RV-3108
1/4"

Trailer axle. "U" brake.
Replaces: 204102,
2918, 4692D, 4692FC,
E5303A, L2366,
L2918, M12WS129X,
M12WS149X, M319A



R704591

Spicer,
Standard
Forge

12-1/4" x
7-1/2"

24

4591

RV-388S
3/16"

Trailer axle.
Replaces: 201140, 21932,
4591S, 4670FT, E2394,
L1283, M12WS127, M504

14-1/2" Meritor W Brakes



A31-3722-D-368

Meritor

14-1/2" x 5"

8

4398B,
4398D

15-X-1605
3/8" bolt

Coach front axle. Includes
bronze bushing 1725-V-
22. Replaces: E10804



A4-3222-M-1157

Meritor

14-1/2" x 6"

8

4228D,
4228F

15-X-1605
3/8" bolt

Coach front axle.
Includes bronze bushing
1725-V-22, pin 1746-U-47
and roller 1779-J-114.
Replaces: E10803



A24-3722-P-406

Meritor

14-1/2" x 8"

8

4541B

15-X-1605
3/8" bolt

Coach rear axle.
Includes bronze bushing
1725-V-22. Replaces:
E10805

14-1/2" Meritor W Brakes



A1-3722-J-686

Meritor

14-1/2" x
10"

12

4592A

15-X-1605
3/8" bolt

Coach rear axle. Includes
bronze bushing 1725-H-8
(2). Replaces: E10809



A1-3722-R-824

Meritor

14-1/2" x
10"



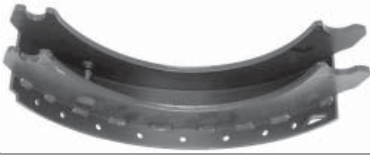




12

4592A

15-X-1605
3/8" bolt

Coach rear axle. Includes
bronze bushing 1725-V-
22. Replaces: E10810

UNLINED BRAKE SHOES

| PART NUMBER | BRAKE MFG. | SIZE | HOLES PER SHOE | FMSI NO. | RIVET NO. & SIZE | REMARKS | |
|---|----------------------|---------|----------------|----------|------------------|-----------------|--|
| 15" Bendix Cam Brakes | | | | | | | |
|  | R700013 | Bendix | 15" x 4" | 16 | 4693 | 1/4" | Front axle. Ford Cargo. Double web style brake shoe with spring retaining pin welded into web. Replaces: 2259428, 4693B, E7230, L2982, M3194 |
| 15" Eaton Cam Brakes | | | | | | | |
|  | R1308E | Eaton | 15" x 4" | 14 | 1308 | RV-3107 1/4" | Front steer axle. Standard and "ES" "Extended Service" brakes. Single web. Replaces: 1005840, 1308E, E5126, EB1005840, L2808, M3350, S648 |
|  | R4729 | Eaton | 15" x 4" | 16 | 4729 | RV-3107 1/4" | Front steer axle. "ES" "Extended Service" brakes. Double web. |
|  | R700022 | Eaton | 15" x 6" | 20 | 4716 | 1/4" | Rear drive axle. "Reduced Envelope". Replaces: 816077, E9140, L3172 |
|  | R700018 | Eaton | 15" x 8-5/8" | 32 | 4717 | 1/4" | Rear drive axle. "Reduced Envelope". Replaces: 813005, E9036, L3174 |
| 15" Eaton ES Brakes | | | | | | | |
|  | R700017 | Eaton | 15" x 4" | 14 | 1443TT | | Front axle. Replaces: 807685, E9027, L3016 |
| 15" Meritor Q Brakes | | | | | | | |
|  | A-3222-F-1982 | Meritor | 15" x 4" | 14 | 1308T | RV-3107 1/4" | Front axle. Replaces: 585S, 585ST, E3875, E5528, L2929, M3191, S649 |

UNLINED BRAKE SHOES

15" Meritor Q Plus™ Brakes



| PART NUMBER | BRAKE MFG. | SIZE | HOLES PER SHOE | FMSI NO. | RIVET NO. & SIZE | REMARKS |
|-----------------|------------|--------------|----------------|----------|------------------|---|
| A21-3222-M-2223 | Meritor | 15" x 4" | 16 | 4702 | RV-3109S 1/4" | Front axle - truck, tractor. Replaces: E9062, L3070 |
| A-3222-D-2110 | Meritor | 15" x 5" | 16 | 4703 | RV-3109S 1/4" | Front axle. Replaces: E11453 |
| A-3222-E-2111 | Meritor | 15" x 6" | 24 | 4704 | RV-3109S 1/4" | Front axle. |
| A-3222-F-2112 | Meritor | 15" x 7" | 28 | 4705 | RV-3109S 1/4" | Rear drive or trailer axle |
| A-3222-A-2159 | Meritor | 15" x 8-5/8" | 32 | 4710 | RV-3109S 1/4" | On-highway. Replaces: E11456 |

15" Meritor RD Brakes



| | | | | | | |
|---------------|---------|----------|----|------|------------------|--|
| A-3722-T-358 | Meritor | 15" x 5" | 16 | 4615 | RV-3109S 1/4" | Truck, tractor, on/off-hwy. Replaces: 21935, 4615RW, E2689, L1292, M2658 |
| A-3222-S-2021 | Meritor | 15" x 7" | 24 | 4602 | RV-3109S 1/4" | Truck, tractor. Replaces: 21933, 4602RW, 4602S, 65454, E1139, L787, M808 |

15" Meritor T Brakes



| | | | | | | |
|---------------|---------|----------|----|--------|-----------------|--|
| A-3222-F-1072 | Meritor | 15" x 4" | 14 | 1308TT | RV-3107 1/4" | Front axle. Replaces: 1308T, 21971, 585, E3439, L1733, M2660 |
|---------------|---------|----------|----|--------|-----------------|--|

15-1/8" Meritor RDC Brakes










| | | | | | | |
|---------------|---------|---------------|----|------|------------------------|---|
| A-3222-N-1314 | Meritor | 15-1/8" x 6" | 12 | 4690 | 15-X-1605 3/8" bolt | Coach front axle. Includes 1259-N-300 spring pin. |
| A-3222-Q-1317 | Meritor | 15-1/8" x 10" | 16 | 4691 | 15-X-1605 3/8" bolt | Coach rear axle. Includes 1259-N-300 spring pin. |

16-1/2" Bendix Cam Brakes







| | | | | | | |
|---------|--------|--------------|----|-------|-----------------|--|
| R700014 | Bendix | 16-1/2" x 7" | 32 | 4515E | RV-3108 1/4" | Rear drive axle. Ford Cargo. Double web style brake shoe. Replaces: 2259450, E7236, L2992, M3195 |
|---------|--------|--------------|----|-------|-----------------|--|

UNLINED BRAKE SHOES

| PART NUMBER | BRAKE MFG. | SIZE | HOLES PER SHOE | FMSI NO. | RIVET NO. & SIZE | REMARKS | |
|---|----------------|-------|------------------|----------|------------------|------------------|--|
| 16-1/2" Eaton Cam Brakes | | | | | | | |
|  | R700008 | Eaton | 16-1/2" x 5" | 20 | 4223A | RV-31010 1/4" | Rear drive axle. Single anchor pin. "High Mount" (offset spring retainer pin). Replaces: 21926, 4223A, 805677, 89695, E2474, EB805677, L1602, M2667 |
|  | R4311 | Eaton | 16-1/2" x 7" | 28 | 4311G | RV-3109S 1/4" | Single anchor pin brake shoe Replaces: 21922E, 4311, 4311E, 4311EBULK, 4311J, 54153, 65456, 804365, 805442, E1778, E1778BK, EB805442, L2035, L785, M811 |
| 16-1/2" Eaton ES I (1st generation) Brakes | | | | | | | |
|  | R4709 | Eaton | 16-1/2" x 7" | 28 | 4709 | RV-3109S 1/4" | Eaton ES I. Replaces: 4709E, 4709ETN, 806229, E5480, L2981, M3190 |
| 16-1/2" Eaton ES II Brakes | | | | | | | |
|  | R700024 | Eaton | 16-1/2" x 5" | 20 | 4719 | RV-3109S 1/4" | Rear drive axle. Replaces: 819705, E10270 |
|  | R700025 | Eaton | 16-1/2" x 6" | 20 | 4725 | RV-3109S 1/4" | Rear drive axle. Replaces: 819706, E10271 |
|  | R4709G2 | Eaton | 16-1/2" x 7" | 28 | 4709 | RV-3109S 1/4" | Rear drive axle. Replaces: 819707, E10272 |
|  | R700026 | Eaton | 16-1/2" x 8-5/8" | 32 | 4726 | RV-3109S 1/4" | Rear drive axle. Replaces: 819708, 819784, E10273 |

UNLINED BRAKE SHOES

| PART NUMBER | BRAKE MFG. | SIZE | HOLES PER SHOE | FMSI NO. | RIVET NO. & SIZE | REMARKS | |
|---|---------------|----------------|------------------|----------|------------------|--------------------|---|
| 16-1/2" Fruehauf XEM 3 Cam Brakes | | | | | | | |
|  | R4515F3 | Fruehauf XEM 3 | 16-1/2" x 7" | 32 | 4515E | RV-3109S 1/4" | Trailer axle. Replaces: 4515EZFX, 4515X3, 4515X3BULK, 4515XEMS, L3020 |
| 16-1/2" Meritor Cast Plus Brakes | | | | | | | |
|  | A-3222-H-2296 | Meritor | 16-1/2" x 6" | 24 | 4715 | 15-X-882 1/4" bolt | Rear drive axle. Cast shoe. |
|  | A-3222-F-2294 | Meritor | 16-1/2" x 8-5/8" | 32 | 4728 | 15-X-882 1/4" bolt | Rear drive axle. Cast shoe. |
| 16-1/2" Meritor P Brakes | | | | | | | |
| | A-3722-D-82 | Meritor | 16-1/2" x 5" | 16 | 4524B | RV-3109S 1/4" | Front axle. Includes 1218-G-85 retainer pin. Replaces: 4524ET, 4524P, E2687, L1644, L2400, M2674, M801 |
|  | A-3222-X-1142 | Meritor | 16-1/2" x 6" | 24 | 4514G | RV-3109S 1/4" | Front steering, trailer and rear drive axle. Special for FL axle with hammerclaw cam and 642 spring. Includes 1218-G-85 retainer pin. Replaces: 201118, 20886, 21886, 4514ET, 4514P, B22061B, E2684, L1288, L392, M16WS147X, M510, M802 |
| | A-3722-N-66 | Meritor | 16-1/2" x 7" | 32 | 4515E | RV-3109S 1/4" | Rear drive or trailer axle. Heat treated anchor and roller ends. Replaces: 4515ET, E2241, E2241BK, E682 |

UNLINED BRAKE SHOES

| PART NUMBER | BRAKE MFG. | SIZE | HOLES PER SHOE | FMSI NO. | RIVET NO. & SIZE | REMARKS |
|-------------|------------|------|----------------|----------|------------------|---------|
|-------------|------------|------|----------------|----------|------------------|---------|

16-1/2" Meritor P Brakes



R4515P

Meritor

16-1/2" x 7"

32

4515E

RV-3109S
1/4"

Aftermarket version of A-3722-N-66. Does not include retainer pin. Non-heat treated anchor and roller ends. Replaces: 11230, 201116001, 21887, 21889, 4515ET, 4515P, 4515PBULK, 4515T, L1289, L393, M16WS132X, M500, M511

16-1/2" Meritor P Cast Brakes



A25-3222-D-1954

Meritor

16-1/2" x 7"

32

4515E

RV-31010S
1/4"

Rear drive or trailer axle. Includes 1225-F-266 bushing and 1199-U-3765 roller. Replaces: 201108001, 21884, 21912, 65349, E1384, L278, M16WS138, M508

UNLINED BRAKE SHOES

16-1/2" Meritor Q Brakes



| PART NUMBER | BRAKE MFG. | SIZE | HOLE PER SHOE | FMSI NO. | RIVET NO. & SIZE | REMARKS |
|-----------------|------------|---------------------|---------------|-----------------|------------------|--|
| A-3222-E-1383 | Meritor | 16-1/2" x 5" | 16 | 4524B | RV-3109S 1/4" | Includes 1218-G-85 retainer pin. Replaces: 4524EST, 4524EZT, 4524Q, E3303, L2355, M2593, M2693 |
| A-3222-G-1541 | Meritor | 16-1/2" x 5" | 16 | 4524B | RV-3109S 1/4" | Front axle. Relocated retainer spring. Special for Mack with 1-11/16" offset spider. |
| A-3222-J-1440 | Meritor | 16-1/2" x 5" | 16 | 4524B | RV-3109S 1/4" | Front axle. Relocated return spring. Special for Mack with 1.75" offset spider. Replaces: E3823, L2950, M3199 |
| A-3222-C-1381 | Meritor | 16-1/2" x 6" | 24 | 4514G | RV-3109S 1/4" | Includes 1218-G-85 retainer pin. Replaces: 21878, 4514EST, 4514EZT, 4514Q, E3304, L2354, M2695 |
| A-3222-V-1348 | Meritor | 16-1/2" x 6" | 24 | 4514G | RV-3109S 1/4" | Front axle. Relocated return spring. Replaces: E9780 |
| A91-3222-S-1293 | Meritor | 16-1/2" x 7" | 32 | 4515E, 4515G | RV-3109S 1/4" | Rear drive or trailer axle. Same as A-3222-S-1293 except less 1218-G-85 pin. Replaces: 4515EZT, E2778BK |
| R4515 | Meritor | 16-1/2" x 7" | 28 | 4515E, 4515G | RV-3109S 1/4" | Aftermarket version of A91-3222-S-1293. Non-heat treated anchor and roller ends. Replaces: 21898, 4515EST, 4515EZT, 4515Q, 4515QBULK, E2778, L1478, M1421, M16WS103X |
| A-3222-T-1346 | Meritor | 16-1/2" x 8-5/8" | 28 | 4551B | RV-3109S 1/4" | Rear drive or trailer axle. Replaces: 21904, 4551EST, 4551EZT, 4551Q, E3522, L2047, M2694 |
| R4551Q | Meritor | 16-1/2" x 8-5/8" | 28 | 4551B | RV-3109S 1/4" | Rear drive or trailer axle. |
| A-3222-D-1356 | Meritor | 16-1/2" x 10" | 40 | 4514G/ 4549C | RV-3109S 1/4" | Rear drive coach or trailer axle. Includes 1218-G-85 retainer pin. Replaces: 4514/49EST, 451449EST, E3417, L2048, M2696 |

UNLINED BRAKE SHOES

16-1/2" Meritor Q Plus™ Brakes



| PART NUMBER | BRAKE MFG. | SIZE | HOLES PER SHOE | FMSI NO. | RIVET NO. & SIZE | REMARKS |
|-----------------|------------|------------------|----------------|----------|------------------|--|
| A-3222-Z-2288 | Meritor | 16-1/2" x 5" | 16 | 4720 | RV-3109S 1/4" | Front axle. Replaces: E10854 |
| A-3222-P-2200 | Meritor | 16-1/2" x 6" | 24 | 4715 | RV-3109S 1/4" | Replaces: E10847 |
| A19-3222-D-2006 | Meritor | 16-1/2" x 7" | 28 | 4707 | RV-3109S 1/4" | Rear axle - truck, tractor, trailer. Replaces: L3011 |
| R4707 | Meritor | 16-1/2" x 7" | 28 | 4707 | RV-3109S 1/4" | Aftermarket version of A19-3222-D-2006. Non-heat treated anchor and roller ends. Replaces: E5503 |
| A-3222-J-2272 | Meritor | 16-1/2" x 8" | 28 | 4718 | RV-3109S 1/4" | Rear drive axle. Replaces: E10850 |
| A-3222-K-2169 | Meritor | 16-1/2" x 8-5/8" | 28 | 4711 | RV-3109S 1/4" | Rear drive axle. Replaces: E10844 |

18" Meritor P Brakes



| | | | | | | |
|----------------|---------|----------|----|------|----------------|---|
| A-3222-P-1992 | Meritor | 18" x 7" | 32 | 4669 | RV-31010S 1/4" | Rear drive axle. Includes 1199-F-266 bushing and 1218-S-123 hold-down clip. |
| A1-3222-B-1952 | Meritor | 18" x 7" | 32 | 4669 | RV-31010S 1/4" | Rear drive axle. Includes bushing and roller. Replaces: 21872, E4902, L1645 |

BRAKE LINING HARDWARE - RIVETS



| PART NUMBER | INDUSTRY NUMBER | BODY DIAMETER | LENGTH | HEAD DIAMETER | COMMENTS |
|-------------|-----------------|---------------|--------|---------------|---------------------------------------|
| RV-387 | 8-7S | 3/16" | 7/16" | 15/32" | Straight hole. Brass or plated steel. |
| RV-31010S | 10-10S | 1/4" | 5/8" | 15/32" | Tapered hole. Brass or plated steel. |
| RV-3109S | 10-9S | 1/4" | 9/16" | 15/32" | Straight hole. Plated steel |

BRAKE LINING HARDWARE - SCREWS



| PART NUMBER | BODY DIAMETER | LENGTH | HEAD DIAMETER | COMMENTS |
|-------------|---------------|---------|---------------|--|
| 15-X-1605 | 3/8"-16 | 1" | 23/32" | Use with N-36C nut and WA-16C washer. Brake shoe lining bolt. Brass. |
| 15-X-882 | 1/4"-28 | 1-1/32" | 15/32" | Use with N-14 nut. Brake shoe lining screw. Brass or steel. |

SECTION 5

INDEX

| | |
|--------------------------------------|-------------|
| Coarse Thread Capscrews | 5-ii |
| Cotter Pins..... | 5-2 |
| Fine Thread Capscrews | 5-ii |
| Flat Washer | 5-1 |
| Hex Nuts | 5-2 |
| Lock Nuts | 5-2 |
| Lock Washers | 5-1 |
| Miscellaneous Plugs..... | 5-2 |
| Miscellaneous Screws..... | 5-ii |
| Miscellaneous Washers | 5-1 |

COARSE THREAD CAPSCREWS



| PART NUMBER | THREAD | LENGTH | GRADE | COMMENTS |
|-------------|----------|--------|-------|---|
| S-264B | 3/8"-16 | 1/2" | 5 | Adhesive band. May be used instead of S-264 and 1229-T-514. |
| S-255Z | 5/16"-18 | 5/8" | 5 | Zinc plated. |
| S-266D | 3/8"-16 | 3/4" | 5 | Hole drilled thru head. Replaces 22139 |
| S-248 | 1/4"-20 | 1" | 5 | |
| S-258-2 | 5/16"-18 | 1" | 8 | |
| S-268-2 | 3/8"-16 | 1" | 8 | |
| S-2610-2 | 3/8"-16 | 1-1/4" | 8 | |
| S-2712-2 | 7/16"-14 | 1-1/2" | 8 | |
| S-2810B-2 | 1/2"-13 | 1-1/4" | 8 | Adhesive band. |
| S-2811-2 | 1/2"-13 | 1-3/8" | 8 | |
| S-2812-2 | 1/2"-13 | 1-1/2" | 8 | |
| S-2912B-2 | 9/16"-12 | 1-1/2" | 8 | Adhesive band. |
| S-2813-2 | 1/2"-13 | 1-5/8" | 8 | |
| S-2816-2 | 1/2"-13 | 2" | 8 | |

FINE THREAD CAPSCREWS



| PART NUMBER | THREAD | LENGTH | GRADE |
|-------------|---------|--------|-------|
| S-146 | 1/4"-28 | 3/4" | 5 |
| S-1812-2 | 1/2"-20 | 1-1/2" | 8 |
| S-11016-2 | 5/8"-18 | 2" | 8 |

MISCELLANEOUS SCREWS



| PART NUMBER | LENGTH | THREAD | THREAD LENGTH | APPLICATION INFORMATION |
|-------------|----------|----------|---------------|--|
| 10-X-1322 | 5/8" | 5/16"-18 | 5/8" | Oil seal retainer screw. For coach axles. Add 9/32" head thickness for O.A.L. |
| 10-X-1348 | 7/8" | 3/8"-16 | 7/8" | Bracket retainer screw. Add 11/32" head thickness for O.A.L. Replaces E1319A1 |
| 26-X-1030 | 15/16" | 3/8"-16 | 13/16" | Set screw |
| 26-X-143 | 1-11/32" | 3/8"-16 | 29/32" | Set screw for brake anchor pin. 3/32" diameter drilled hole in head. Add 9/32" head thickness for O.A.L. Replaces E10837 |
| 10-X-1421 | 1-53/64" | 3/8"-16 | 1-1/2" | Self-tapping. Use with A-3105-L-1078 camshaft support bolt-on bushing. Add 21/64" head thickness for O.A.L. |
| 15-X-1300 | 2-29/32" | 1/4"-28 | 3/4" | Hold down bolt. |

FLAT WASHERS



| PART NUMBER | BOLT SIZE | INSIDE DIAMETER | THICKNESS | COMMENTS |
|-------------|-----------|-----------------|-----------|-----------------------------|
| WA-34Z | 1/4" | 9/32" | 1/16" | Zinc plated. Replaces E1520 |
| WA-35 | 5/16" | 11/32" | 1/16" | |

LOCK WASHERS



| PART NUMBER | BOLT SIZE | INSIDE DIAMETER | THICKNESS | COMMENTS |
|-------------|-----------|-----------------|-----------|---|
| WA-14 | 1/4" | 17/64" | 1/16" | Cadmium plated. Tension medium. Replaces E2522, L1020 |
| WA-15Z | 5/16" | 5/16" | 5/64" | Zinc plated. Tension medium. |
| WA-16 | 3/8" | 25/64" | 3/32" | Tension medium. Dust shield lockwasher. |
| WA-16Z | 3/8" | 25/64" | 3/32" | Zinc plated. Tension medium. |

5

MISCELLANEOUS WASHERS



| PART NUMBER | INSIDE DIAMETER | OUTSIDE DIAMETER | THICKNESS | APPLICATION INFORMATION |
|--------------|-----------------|------------------|-----------|---|
| 1829-P-198 | 17/64" | 13/16" | 1/16" | Guide pin washer for 15" RS brakes, T brakes, Wagner brakes. Replaces B824, B829, C66895, E2724, L1671, M2721 |
| 1229-E-1669 | 11/32" | 5/8" | 1/16" | Hub washer. Also used on 15" x 4" RS brakes. |
| 1229-K-1597Z | 13/32" | 3/4" | 3/32" | Zinc plated |
| 1229-K-1597 | 13/32" | 3/4" | 3/32" | All series brakes. Dust shield to spider washer. |
| 1229-W-1505 | 17/32" | 1-1/16" | 3/32" | 16-1/2" Q cam bracket mounting capscrews. |
| 1229-M-4667 | 19/32" | 7/8" | 3/32" | |
| 1229-W-1557 | 21/32" | 1-3/16" | 1/8" | For spider mounting with 5/8"-18 bolts. |
| 1229-Z-1560 | 57/64" | 1-7/16" | 3/32" | |
| 1229-T-1554 | 29/32" | 1-5/8" | 1/4" | Replaces E10842 |

HEX NUTS



| PART NUMBER | THREAD | HEX | THICKNESS | GRADE | COMMENTS |
|-------------|----------|---------|-----------|-------|------------------------------------|
| N-14 | 1/4"-28 | 7/16" | 7/32" | 5 | Replaces E2522, L1020 |
| N-54Z | 1/4"-28 | 7/16" | 7/32" | 5 | Zinc coated. Slotted. Replaces K25 |
| N-34 | 1/4"-20 | 7/16" | 7/32" | 5 | |
| N-17-1 | 7/16"-20 | 11/16" | 3/8" | 8 | |
| N-35Z | 5/16"-18 | 1/2" | 7/16" | 5 | Zinc plated |
| N-19-1 | 9/16"-18 | 7/8" | 31/64" | 8 | |
| N-110-1 | 5/8"-18 | 15/16" | 35/64" | 8 | |
| N-112-1 | 3/4"-16 | 1-1/8" | 41/64" | 8 | Replaces 73 |
| N-114-1 | 7/8"-14 | 1-5/16" | 3/4" | 8 | |
| N-214-1 | 7/8"-14 | 1-5/16" | 29/32" | 8 | Slotted |

LOCK NUTS



| PART NUMBER | THREAD | HEX | THICKNESS | GRADE |
|-------------|----------|---------|-----------|-------|
| NL-112-1 | 3/4"-16 | 1-1/8" | 41/64" | 8 |
| NL-114-1 | 7/8"-14 | 1-5/16" | 3/4" | 8 |
| NL-16-1 | 3/8"-24 | 9/16" | 21/64" | 8 |
| NL-110-1 | 5/8"-18 | 15/16" | 35/64" | 8 |
| NL-18-1 | 1/2"-20 | 3/4" | 7/16" | 8 |
| NL-19-1 | 9/16"-18 | 7/8" | 31/64" | 8 |
| NL-25-1 | 5/16"-18 | 1/2" | 19/64" | 8 |
| NL-26-1 | 3/8"-16 | 9/16" | 21/64" | 8 |

COTTER PINS



| PART NUMBER | LENGTH | DIAMETER | COMMENTS |
|-------------|--------|----------|-------------------------------|
| K-235 | 5/8" | 3/32" | Meritor ASA |
| 19-X-1176 | 3/4" | 1/16" | Stainless steel. Meritor ASA. |
| K-227 | 7/8" | 1/16" | |
| 19-X-1175 | 1" | 1/8" | Steel. Meritor ASA. |
| K-248 | 1" | 1/8" | Meritor ASA |
| K-2412 | 1-1/2" | 1/8" | |
| K-2618 | 2-1/4" | 3/16" | |

MISCELLANEOUS PLUGS



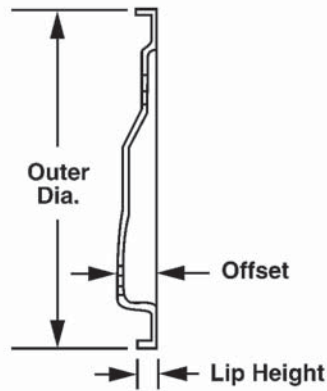
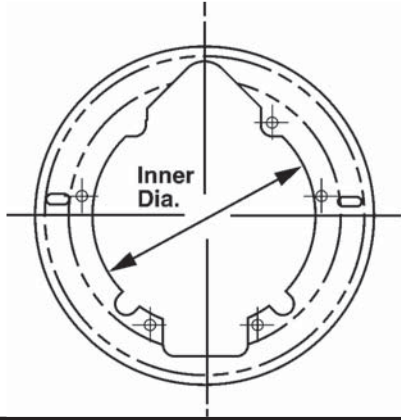
| PART NUMBER | OUTSIDE DIA. | INSIDE DIA. | THREAD | THREAD LENGTH | APPLICATION INFORMATION |
|-------------|--------------|-------------|-------------|---------------|---|
| 1250-J-1284 | 13/32" | 11/32" | 1/8"-27 PTF | 1/4" | Pipe plug for MX500 Long Life and LX500 Extended Lube brakes. |

SECTION 6

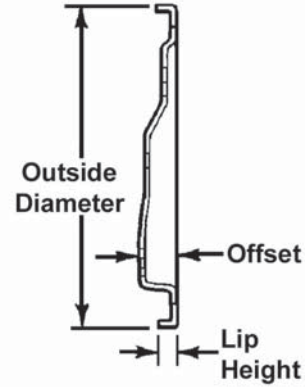
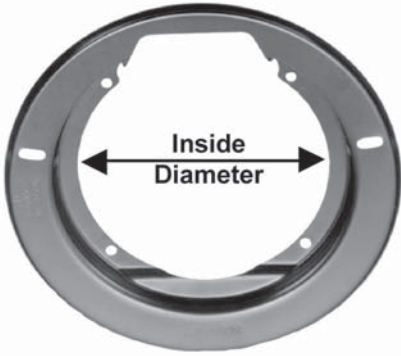
INDEX

| | |
|----------------------------------|-------------|
| Dust Cover | 6-4 |
| Dust Shield Kits | 6-5 |
| Dust Shield Washers | 6-4 |
| Dust Shields | 6-ii |
| Plugs | 6-4 |

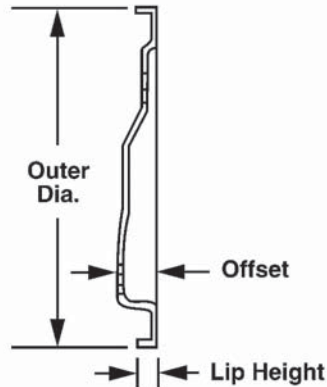
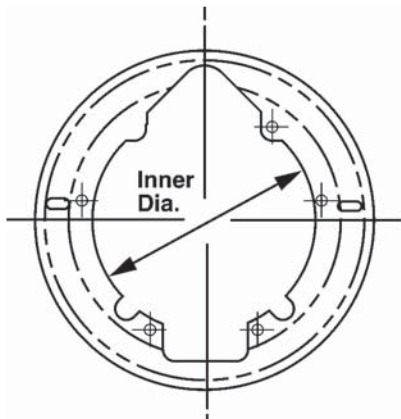
DUST SHIELDS



| PART NUMBER | OUTER DIA. | INNER DIA. | OFFSET | LIP HEIGHT | NO. OF HOLES | SIZE OF HOLES | APPLICATION INFORMATION |
|---------------|------------|------------|----------|------------|--------------|---------------|---------------------------|
| A-3264-G-1281 | 15-63/64" | 10-13/64" | 1-11/32" | 55/64" | 4 | 5/16" | Use on 15" x 4" Q brakes. |

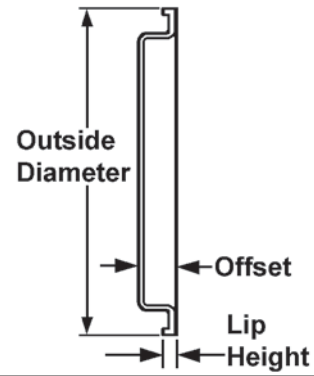
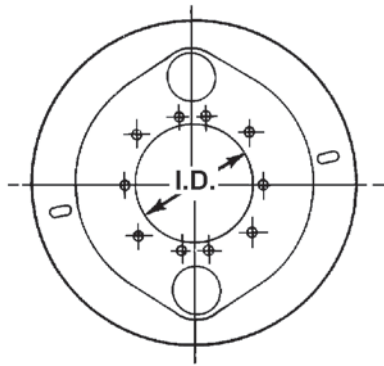


| PART NUMBER | OUTER DIA. | INNER DIA. | OFFSET | LIP HEIGHT | NO. OF HOLES | SIZE OF HOLES | APPLICATION INFORMATION |
|-------------|------------|------------|---------|------------|--------------|---------------|---------------------------------|
| 3264-R-1292 | 16-9/16" | 10-1/2" | 1-5/32" | 39/64" | 4 | 7/16" | Use on 15" x 4" Q Plus™ brakes. |



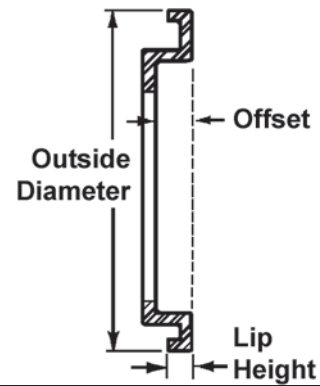
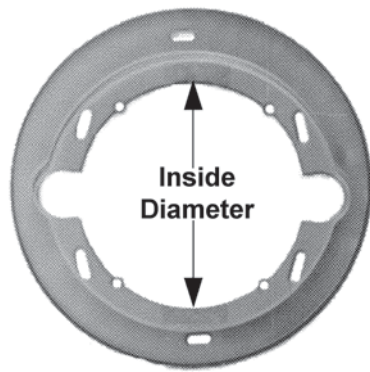
| PART NUMBER | OUTER DIA. | INNER DIA. | OFFSET | LIP HEIGHT | NO. OF HOLES | SIZE OF HOLES | APPLICATION INFORMATION |
|-------------|------------|------------|----------|------------|--------------|---------------|---------------------------|
| 3264-E-1279 | 16-7/8" | 10-3/16" | 1-15/32" | 15/16" | 4 | 5/16" | Use on 15" x 4" Q brakes. |

DUST SHIELDS

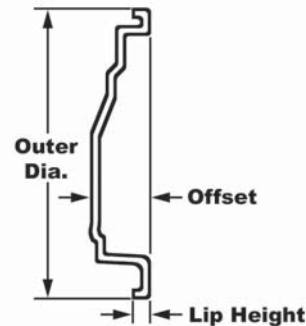
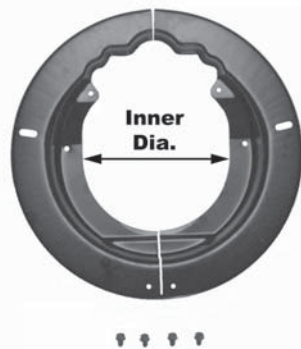


| PART NUMBER | OUTER DIA. | INNER DIA. | OFFSET | LIP HEIGHT | NO. OF HOLES | SIZE OF HOLES | APPLICATION INFORMATION |
|---------------|------------|------------|----------|------------|--------------|---------------|--|
| A-3236-M-1521 | 17" | 6-5/8" | 1-15/16" | 1/2" | 10 | 23/32" | Use on 15" x 7" wedge brakes with forged spider. |

6

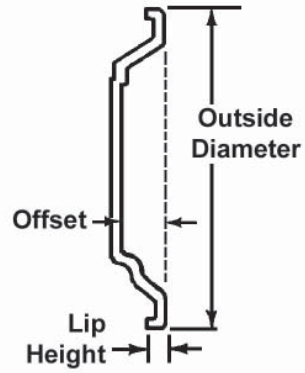
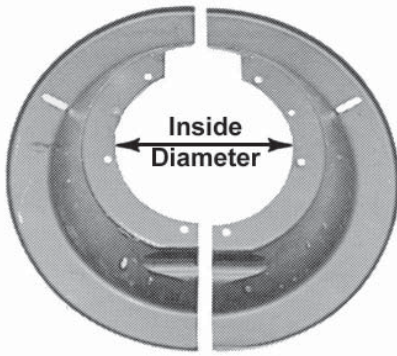


| PART NUMBER | OUTER DIA. | INNER DIA. | OFFSET | LIP HEIGHT | NO. OF HOLES | SIZE OF HOLES | APPLICATION INFORMATION |
|-------------|------------|------------|----------|------------|--------------|---------------|---|
| 3736-P-328 | 17" | 10-31/64" | 1-11/16" | 1/2" | 4 | 25/64" | Use on 15" RD brakes. With two extra holes 11/32" diameter. |
| 3264-A-1067 | 17" | 10-31/64" | 1-11/16" | 1/2" | 4 | 25/64" | Use on 15" RD brakes. |

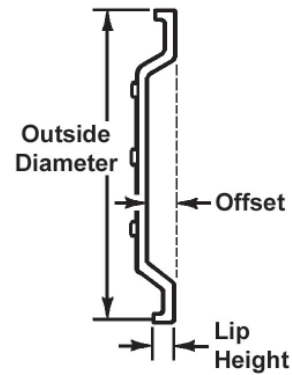
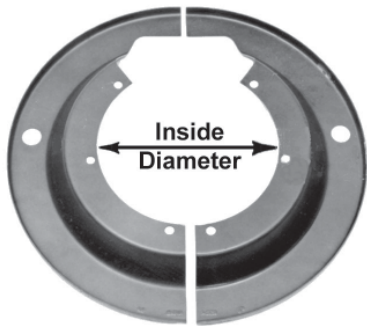


| PART NUMBER | OUTER DIA. | INNER DIA. | OFFSET | LIP HEIGHT | NO. OF HOLES | SIZE OF HOLES | APPLICATION INFORMATION |
|----------------|------------|------------|----------|------------|--------------|---------------|-------------------------|
| A2-3264-P-1082 | 18-1/8" | 9-5/8" | 2-25/64" | 9/16" | 4 | 11/32" | 16-1/2" x 7" Q Plus™ |
| A-3264-C-1381 | 18-1/8" | 9-5/8" | 3-13/64" | 7/8" | 4 | 11/32" | 16-1/2" x 8" Q Plus™ |

DUST SHIELDS

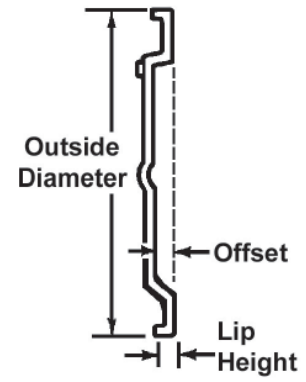


| PART NUMBER | OUTER DIA. | INNER DIA. | OFFSET | LIP HEIGHT | NO. OF HOLES | SIZE OF HOLES | APPLICATION INFORMATION |
|----------------|------------|------------|----------|------------|--------------|---------------|---|
| A1-3236-A-1249 | 18-1/8" | 7-13/16" | 2-13/16" | 1/2" | 8 | 3/8" | Use on 16-1/2" P brakes with cast spider. Replaces: 211102001, 331476, 331478, B1688A, L3182, L556, L738, M1583, M16WB100, M16WB101, M590A, UB1165, UB1172, UB5102 |



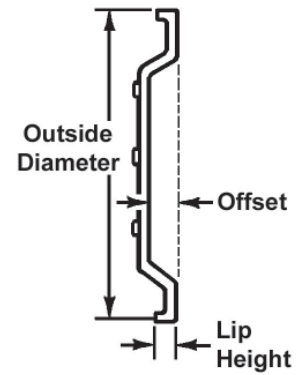
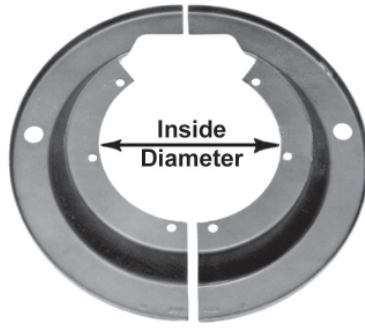
| PART NUMBER | OUTER DIA. | INNER DIA. | OFFSET | LIP HEIGHT | NO. OF HOLES | SIZE OF HOLES | APPLICATION INFORMATION |
|----------------|------------|------------|--------|------------|--------------|---------------|---|
| A-3736-W-907 | 18-1/8" | 8-15/16" | 1-5/8" | 9/16" | 6 | 7/16" | Use on 16-1/2" x 7" P brakes. Replaces 331489 |
| A1-3736-M-91 | 18-1/8" | 9-5/8" | 3/4" | 21/32" | 6 | 7/16" | Use on 16-1/2" x 7" P brakes |
| A1-3264-J-114 | 18-1/8" | 9-7/8" | 3/4" | 2-1/32" | 6 | 7/16" | Use on 16-1/2" x 6" P brakes. |
| A2-3236-Q-2123 | 18-1/8" | 10-1/8" | 1-1/2" | 2-1/32" | 6 | 7/16" | Use on 16-1/2" x 7" P brakes. Contains 1244-D-1694 spacers. |
| A1-3236-Q-2123 | 18-1/8" | 10-1/8" | 1-1/2" | 21/32" | 6 | 7/16" | Use on 16-1/2" x 7" P and Q brakes. Replaces 331487, 331488 |
| A-3264-S-227 | 18-1/8" | 10-11/16" | 1-1/4" | 17/64" | 6 | 7/16" | Use on 16-1/2" x 6" P brakes and 16-1/2" x 5" Q brakes. |
| A4-3264-T-228 | 18-1/8" | 10-11/16" | 1-1/4" | 17/64" | 6 | 7/16" | With spacers. Use on 16-1/2" x 6" P brakes. |

DUST SHIELDS



| PART NUMBER | OUTER DIA. | INNER DIA. | OFFSET | LIP HEIGHT | NO. OF HOLES | SIZE OF HOLES | APPLICATION INFORMATION |
|-------------------|------------|------------|----------|------------|--------------|---------------|-------------------------------|
| 3264-D-160 | 18-5/8" | 11-11/16" | 1-11/16" | 2-1/32" | 6 | 1/2" | Use on 16-1/2" x 5" P brakes. |

6



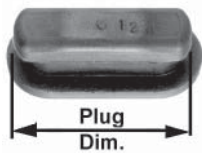
| PART NUMBER | OUTER DIA. | INNER DIA. | OFFSET | LIP HEIGHT | NO. OF HOLES | SIZE OF HOLES | APPLICATION INFORMATION |
|-----------------------|------------|------------|--------|------------|--------------|---------------|-------------------------|
| A-3236-Z-1274 | 19-5/8" | 9-5/8" | 1-1/4" | 2-1/32" | 6 | 7/16" | P brakes. |
| A1-3236-C-1823 | 19-5/8" | 10-1/8" | 3/4" | 2-1/32" | 6 | 7/16" | Use on 18" P brakes. |

DUST SHIELD WASHERS



| PART NUMBER | I.D. | O.D. | THICKNESS | REPLACES | APPLICATION INFORMATION |
|-------------|------|------|-----------|----------|---------------------------|
| 1229-R-512 | 1/4" | 1/2" | 1/32" | | Use on 15" x 4" Q brakes. |

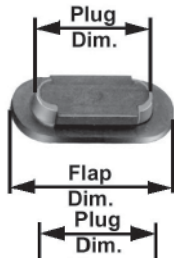
PLUGS



| PART NUMBER | FLAP DIM. | PLUG DIM. | APPLICATION INFORMATION |
|-------------|-----------|-----------|------------------------------------|
| R40H1456 | | 1-1/16" | Eaton 15" x 4" front brakes Rubber |



| | | | |
|-------------|---------|----------|------------------|
| 1250-R-1214 | 1-3/64" | 1-11/32" | Dust shield plug |
|-------------|---------|----------|------------------|



| | | | |
|----------|--------|--------|--|
| 1707-B-2 | 1-1/2" | 1-1/8" | For 15" rear dust shields. Use on 16-1/2" P and Q brakes. Replaces L1785 |
|----------|--------|--------|--|

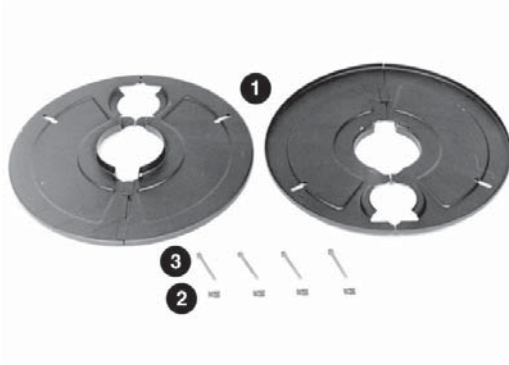


| | | | |
|----------|----------|---------|-------------------------------------|
| 1707-C-3 | 1-13/16" | 1-7/16" | Use on 15" rear brake dust shields. |
|----------|----------|---------|-------------------------------------|

DUST SHIELD KITS

KIT 8070

16-1/2" x 7"



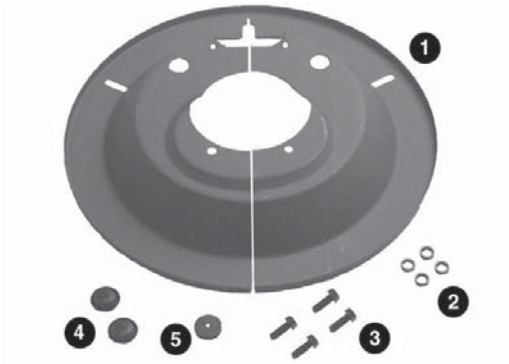
| ITEM | QTY | PART NUMBER | DESCRIPTION |
|------|-----|-------------|-------------|
| 1 | 2 | 3264-L-1234 | Dust Shield |
| 2 | 4 | 1227-R-1422 | Speed Nut |
| 3 | 4 | 10-X-1525 | Capscrew |

APPLICATION INFORMATION

Trailer axle dust shield for 16-1/2" x 7" cam brakes with spring suspensions (axle tube mounted). Services two brakes. All other applications should continue to use kit R009095.

R009095

16-1/2" x 7"

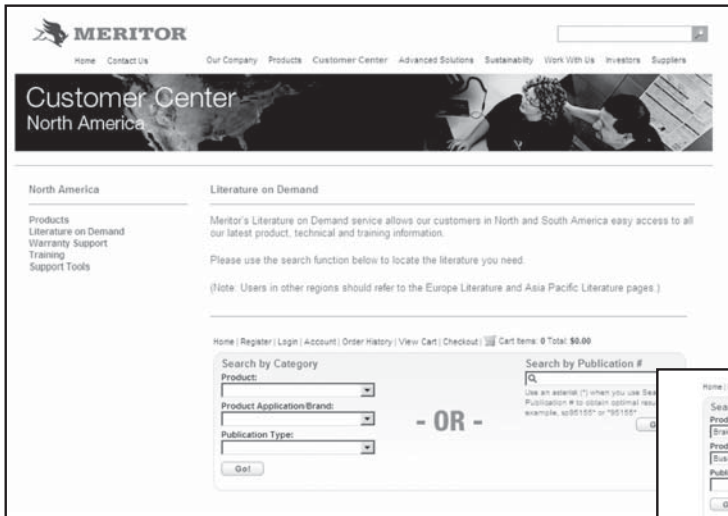


| ITEM | QTY | PART NUMBER | DESCRIPTION |
|------|-----|-------------|---------------|
| 1 | 1 | R600R0X | Dust Shield |
| 2 | 4 | 1244-G-2217 | Spacer |
| 3 | 4 | 10-X-1423 | Tapping Screw |
| 4 | 2 | 1250-R-1214 | Plug |
| 5 | 1 | 3280-C-9155 | Grommet |

APPLICATION INFORMATION

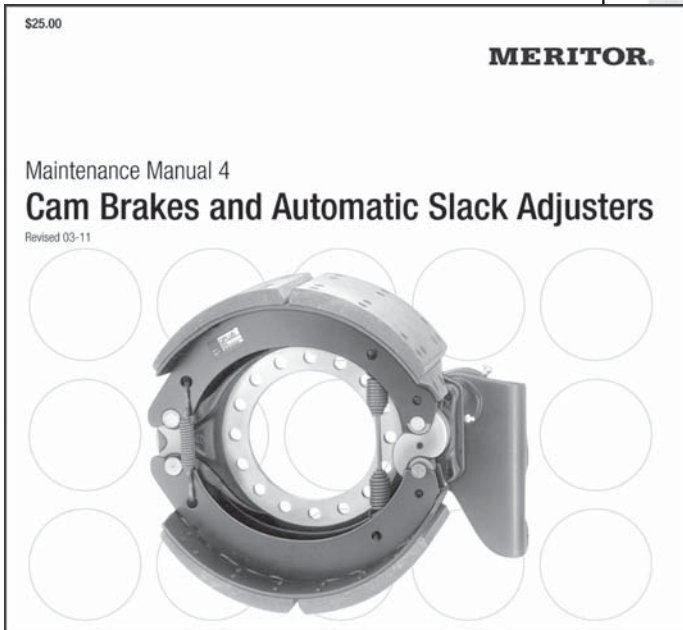
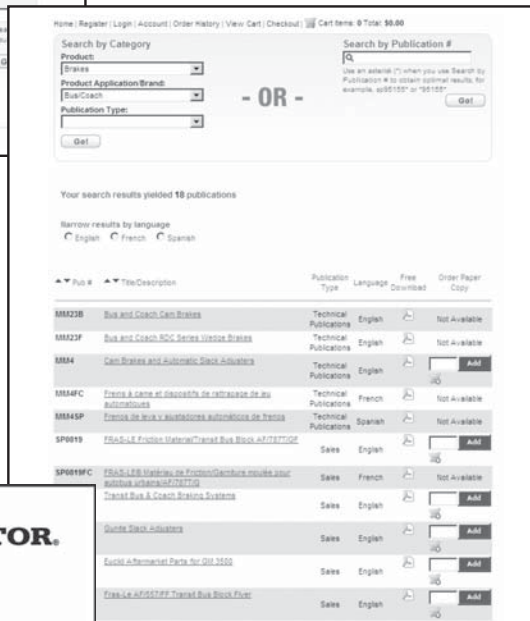
For trailer axles with fabricated spider. Services one brake. Replaces: E9095, E9095A, L3160

Literature on Demand available at meritor.com



1. Visit the Customer Center at meritor.com

2. Search for a publication - parts book, sales flier or technical publication



3. Select format - electronic or print

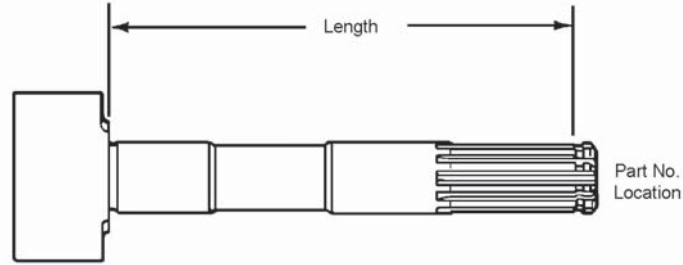
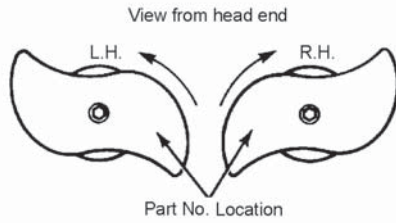
For additional product, technical and training information, contact your nearest product sales team, whose contact information can be found in the online Customer Center.

Camshafts and Related Parts

| | |
|--|-------------|
| 1-1/4"-10 Spline | |
| Eaton Steer Axles (15" "ES" Brakes) | 7-23 |
| Meritor Brakes (Truck/Tractor) | 7-ii |
| 1-1/4"-24 Spline — Meritor Brakes (Truck/Tractor) | 7-1 |
| 1-1/2"-10 Spline | |
| Eaton Drive Axles (16-1/2" "ES" and 15" "Reduced Envelope" Brakes) | 7-26 |
| Eaton Drive Axles (16-1/2" and 18" Brakes) | 7-24 |
| Eaton Drive Axles with Double Groove (16-1/2" & 18" Brakes) | 7-25 |
| Eaton Trailer Axles (16-1/2" "ES" Brakes) | 7-27 |
| Eaton Trailer Axles (with "501" Series) | 7-28 |
| Eaton-Shuler Trailer Axles (12-1/4" Brakes) | 7-29 |
| Hendrickson Intraax® Trailer Axles (16-1/2" Brakes) | 7-41 |
| Meritor Q Plus™ Brakes (Trailer Axles) | 7-10 |
| Meritor 16-1/2" Q Plus™ Brakes (Truck/Tractor) | 7-3 |
| Meritor Brakes (Truck/Tractor) | 7-2 |
| Multi-Application with 16-1/2" Brakes (Trailer Axles) Double Groove | 7-9 |
| Multi-Application with 16-1/2" Brakes (Trailer Axles) Single Groove | 7-7 |
| Spicer Trailer Axles ("High-Lift" 12-1/4" Brakes) | 7-32 |
| Spicer Trailer Axles (16-1/2" "Xtralife" Brakes) | 7-38 |
| Spicer-Hayes Dana Trailer Axles (16-1/2" Brakes) | 7-35 |
| Spicer-Std. Forge Trailer Axles (12-1/4" Brakes) | 7-31 |
| Transit Applications with Meritor Brakes | 7-5 |
| Wagner Drive Axles (15" Brakes) | 7-40 |
| 1-1/2"-28 Spline | |
| Dexter 12-1/4" Trailer Brakes | 7-40 |
| Eaton Trailer Axles (16-1/2" "ES" Brakes) | 7-27 |
| Eaton Trailer Axles (with "501" Series) | 7-28 |
| Hendrickson Intraax® Trailer Axles (16-1/2" Brakes) | 7-41 |
| Meritor Q Plus™ Brakes (Trailer Axles) | 7-20 |
| Meritor Q Plus™ Brakes (Truck/Tractor) | 7-12 |
| Meritor Q Plus™ Brakes (Truck/Tractor) with TracLok | 7-19 |
| Spicer Trailer Axles ("High-Lift" 12-1/4" Brakes) – Single Groove | 7-33 |
| Spicer Trailer Axles ("High-Lift" 12-1/4" Brakes) – Double Groove | 7-34 |
| Spicer Trailer Axles (16-1/2" "Xtralife" Brakes) | 7-38 |
| Spicer Trailer Axles with 16-1/2" Brakes – Double Groove | 7-36 |
| Spicer Trailer Axles with (16-1/2" "XL" Brakes) – Single Groove | 7-37 |
| Small Head Camshafts for Meritor Trailer Axles (12-1/4" Brakes) | 7-11 |
| 1-19/32"-28 Spline — Fruehauf Pro-Par® Trl. Axles (16-1/2" Brakes) | 7-29 |
| 1-19/32"-37 Spline — Fruehauf Pro-Par® Trl. Axles (16-1/2" Brakes) | 7-30 |
| 1-5/8"-37 Spline — Fruehauf Pro-Par® Trailer Axles (12-1/4" Brakes) | 7-30 |
| Camshaft Bushings | 7-64 |
| Camshaft Bushing Spacers | 7-67 |
| Camshaft Felts | 7-72 |
| Camshaft Repair Kits | 7-42 |
| Camshaft Retainers | 7-72 |
| Camshaft Retrofit Kits to Q Plus™ Trailer Retrofit Kits | 7-56 |
| Camshaft Seals and O-Rings | 7-70 |
| Camshaft Snap Ring Kits | 7-58 |
| Camshaft Support Bolt-On Bushings | 7-69 |
| Camshaft Support Bracket and Bushing for Trailer Axles | 7-67 |
| Camshaft Support Bracket Retainer and Bushing Assemblies | 7-68 |
| Camshaft Support Bushing Retainer | 7-69 |
| Camshaft Washers | 7-59 |
| Trailer Cam and Busing Kit Application Guide | 7-22 |

1-1/4"-10 SPLINE FOR TRUCKS AND TRACTORS WITH MERITOR BRAKES

Use Camshaft Repair Kit: **KIT 9300**
Use Brake Repair Kit: **KIT 9094**



NOTE: LH and RH indicates only the direction of cam rotation;
NOT which side of the vehicle the cam is used on.
(LH = Counterclockwise) (RH = Clockwise)

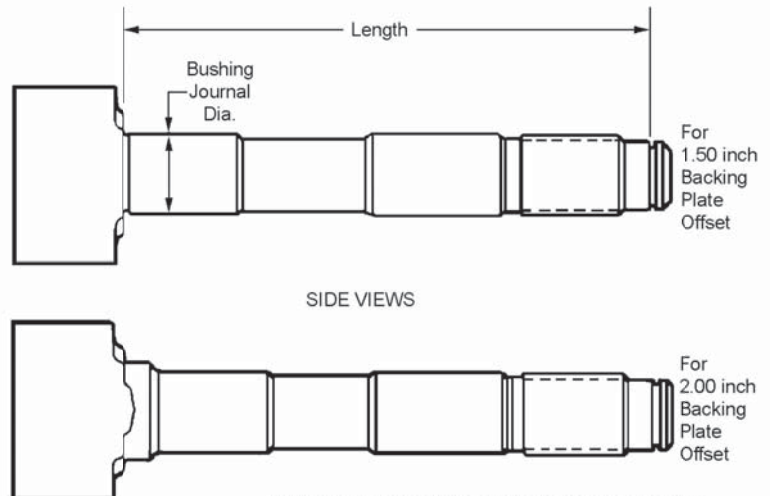
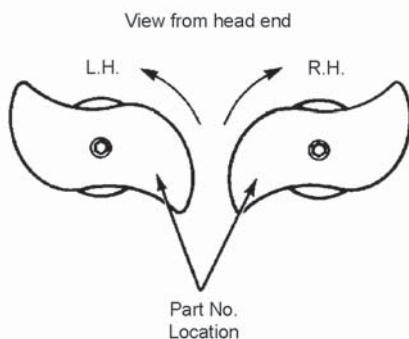
NOTE: All camshaft lengths are measured to the
beginning of the snap ring groove.

| PART NUMBER | HEAD END | EFFECTIVE LENGTH | REPLACES | APPLICATION INFORMATION |
|--------------------|----------|------------------|--|-------------------------|
| 2210-D-6842 | LH | 7-11/16" | C750L, E9693, H10182L, L3579, M3122L | Front axle applications |
| 2210-E-6843 | RH | | C751R, E9694, H10183R, L3578, M3122R | |
| 2210-F-6844 | LH | 7-59/64" | C752L, CS40100, CS40106, CS40107, E3460, E3460LH, E9695, H10184L, L1738, L3323, M2609L, M3123L | |
| 2210-G-6845 | RH | | 18857, 41781, C753R, CS40101, E3461, E3461RH, E9696, H10185R, L1737, L3322, M2609R, M3123R | |
| 2210-M-6851 | LH | 8-29/64" | C754L, CS40108, E9697, H10186L, L3327, M3124L | |
| 2210-N-6852 | RH | | C755R, CS40109, E9698, H10187R, L3326, M3124R | |
| 2210-R-6856 | LH | 9-13/64" | 41782, C756L, E9699, H10188L | |
| 2210-S-6857 | RH | | C757R, E9700, H10189R | |
| 2210-V-6860 | LH | 9-35/64" | C763L, CS40110, E9701, H10190L, L3325, M3125L | |
| 2210-W-6861 | RH | | C764R, CS40111, E9702, H10191R, L3324, M3125R | |

1-1/4"-24 SPLINE FOR TRUCKS AND TRACTORS WITH MERITOR BRAKES

Use Camshaft Repair Kit: **KIT 8022**

Use Brake Repair Kit: **KIT 8029**



NOTE: LH and RH indicates only the direction of cam rotation;
NOT which side of the vehicle the cam is used on.
(LH = Counterclockwise) (RH = Clockwise)

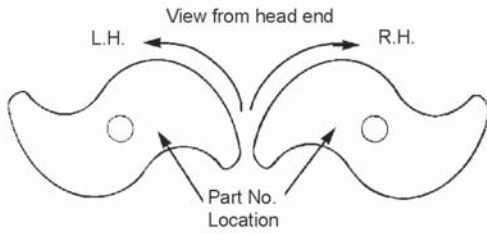
NOTE: All camshaft lengths are measured to the beginning of the snap ring groove.

| PART NUMBER | HEAD END | EFFECTIVE LENGTH | BUSHING JOURNAL DIAMETER | REPLACES | APPLICATION INFORMATION |
|-------------|----------|------------------|--------------------------|--------------------------------|---|
| 2210-Q-6725 | LH | 7-45/64" | 1-1/4" | CS40112, H10202L | With 2" backing plate offset. 15" x 4" Q Brakes |
| 2210-R-6726 | RH | 7-45/64" | 1-1/4" | CS40113, E9714, H10203R, L3312 | |
| 2210-S-6727 | LH | 7-59/64" | 1-1/4" | CS40114, E9705, H10194L, L3081 | |
| 2210-W-6731 | LH | 8-31/64" | 1-1/4" | CS40116, E9707, H10148L, L3083 | |
| 2210-X-6732 | RH | 8-31/64" | 1-1/4" | CS40117, E9708, H10149R, L3082 | With 1.50" backing plate offset. 15" x 4" Q Brakes |
| 2210-Y-6733 | LH | 8-35/64" | 1-1/4" | | |
| 2210-Z-6734 | RH | 8-35/64" | 1-1/4" | | |
| 2210-C-6737 | LH | 9-15/64" | 1-1/4" | E3879 | |
| 2210-D-6738 | RH | 9-15/64" | 1-1/4" | E3880 | |
| 2210-J-6744 | LH | 9-31/64" | 1-1/4" | | |
| 2210-M-6747 | RH | 9-31/64" | 1-1/4" | E9712, H10201R | |

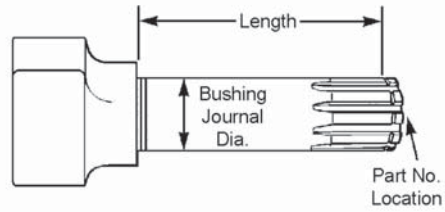
1-1/2"-10 SPLINE FOR TRUCKS AND TRACTORS WITH MERITOR BRAKES

Use Camshaft Repair Kit:
KIT 8042 "Q" Brakes
KIT 9078 "P" Brakes

Use Brake Repair Kit:
KIT 8000HD "Q" Brakes
KIT 9063 "P" Brakes



NOTE: LH and RH indicates only the direction of cam rotation;
NOT which side of the vehicle the cam is used on.
(LH = Counterclockwise) (RH = Clockwise)



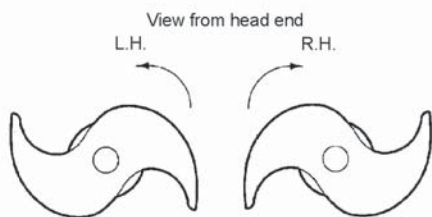
NOTE: All camshaft lengths are measured to the
beginning of the snap ring groove.

| PART NUMBER | HEAD END | EFFECTIVE LENGTH | BUSHING JOURNAL DIAMETER | REPLACES | APPLICATION INFORMATION |
|-------------|----------|------------------|--------------------------|----------|-------------------------|
| 2210-L-5654 | LH | 6-29/32" | 1-1/2" | | |
| 2210-K-5653 | RH | | | | |
| 2210-M-5655 | RH | 7-3/32" | 1-1/2" | | |
| 2210-V-8134 | LH | 7-23/32" | 1-1/2" | | |
| 2210-U-8133 | RH | | | | |
| 2210-B-5384 | LH | 9-17/64" | 1-1/2" | | |
| 2210-R-5738 | LH | 9-15/32" | 1-1/2" | | |
| 2210-Q-5737 | RH | | | | |
| 2210-Y-5355 | RH | 11-5/32" | 1-1/2" | | |
| 2210-E-5725 | RH | 12-3/32" | 1-1/2" | | H10251R |
| 2210-P-6386 | LH | 21-13/32" | 1-1/2" | | |

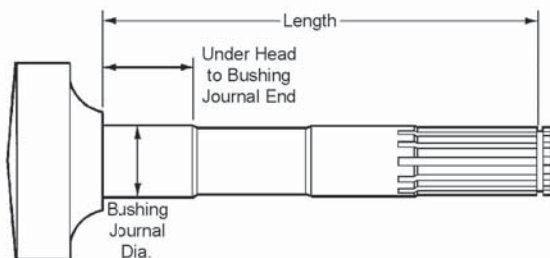
1-1/2"-10 SPLINE FOR TRUCKS AND TRACTORS WITH MERITOR 16-1/2" Q Plus™ BRAKES

Use Camshaft Repair Kit: **KIT 8042**

Use Brake Repair Kit: **KIT 8000HD**



NOTE: LH and RH indicates only the direction of cam rotation;
NOT which side of the vehicle the cam is used on.
(LH = Counterclockwise) (RH = Clockwise)



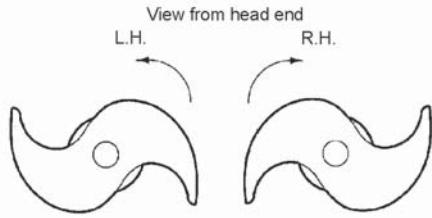
NOTE: All camshaft lengths are measured to the beginning of the snap ring groove.

| PART NUMBER | HEAD END | EFFECTIVE LENGTH | UNDER HEAD TO BUSHING JOURNAL END | BUSHING JOURNAL DIAMETER | REPLACES | APPLICATION INFORMATION |
|-------------|----------|------------------|-----------------------------------|--------------------------|--|--|
| R607096 | LH | 7-29/32" | 1-13/16" | 1-1/2" | 18803, 41024, C707L, E4707, E4707A, E4707B, L2457, M989L | For slight variations in length, extra spacer washers may be required. Q Plus™ cams can be used to replace the standard Q style cams; however, a Q style cam cannot be used to replace a Q Plus™ cam. |
| R607095 | RH | | | | 18802, 41025, C706R, E4706, E4706A, E4706B, L2456, M989R | |
| R607092 | LH | 8-35/64" | 1-13/16" | 1-1/2" | 18805, 41028, 72388, C479L, E2479, E2479A, E2479B, H10002L, HQ10002L, L1413, M996L | |
| R607091 | RH | | | | 18804, 41003, 41029, 72387, C478R, E2478, E2478A, E2478B, H10003R, L1412, M996R | |
| R607086 | LH | 9-1/16" | 1-13/16" | 1-1/2" | E9687A | |
| R607085 | RH | | | | E9688, E9688A | |
| R607078 | LH | 10-33/64" | 1-13/16" | 1-1/2" | 41034, E2701, E2701A, E2701B, H10004L, HQ10004L, L2455, M2611L | |
| R607077 | RH | | | | 18806, 41035, E2700, E2700A, E2700B, L2454, M2611R | |
| R607072 | LH | 11-1/8" | 1-13/16" | 1-1/2" | 18809, 41014, 72392, C774L, E1774A, E1774B, E1774C, L1205, M997L | |
| R607071 | RH | | | | 18808, 41015, 72391, C773R, E1773A, E1773B, E1773C, L1204, M997R | |
| R607076 | LH | 11-33/64" | 1-13/16" | 1-1/2" | 18811, 41016, 72394, C148L, E1148, E1148B, E1148C, L508, M743L | |
| R607075 | RH | | | | 18810, 41017, 72393, C147R, E1147, E1147B, E1147C, L507, M743R | |
| R607098 | LH | 11-11/16" | 1-13/16" | 1-1/2" | 41037, C702R, E4702, E4702A, E4702B, E4703B, L2452, M3181L | |
| R607097 | RH | | | | 41036, C703L, E4702B, E4703, E4703A, E4703B, L2453, M3181R | |
| R607074 | LH | 12-15/32" | 1-13/16" | 1-1/2" | 18813, 41044, C709L, E4709, E4709A, E4709B, L2451, M998L | |
| R607073 | RH | | | | 18812, 41045, C708R, E4708, E4708A, E4708B, L2450, M998R | |
| R607080 | LH | 13-21/32" | 1-13/16" | 1-1/2" | E9689, E9689A, L2449 | |
| R607079 | RH | | | | E9690, E9690A, L2448 | |
| R607088 | LH | 14-7/8" | 1-13/16" | 1-1/2" | E9691, E9691A, L2447 | |
| R607087 | RH | | | | E9692, E9692A, L2446 | |
| R607090 | LH | 15-5/8" | 1-13/16" | 1-1/2" | 18819, 41260, C711L, E4711, E4711A, E4711B, H10260L, HQ10260L, M1570L | |
| R607089 | RH | | | | 18818, 41261, C710R, E4710, E4710A, E4710B, M1570R, SA2465 | |

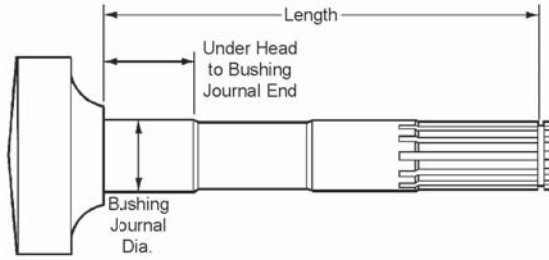
1-1/2"-10 SPLINE FOR TRUCKS AND TRACTORS WITH MERITOR 16-1/2" Q Plus™ BRAKES

Use Camshaft Repair Kit: **KIT 8042**

Use Brake Repair Kit: **KIT 8000HD**



NOTE: LH and RH indicates only the direction of cam rotation;
NOT which side of the vehicle the cam is used on.
(LH = Counterclockwise) (RH = Clockwise)

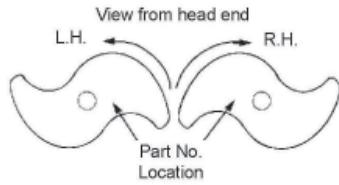


NOTE: All camshaft lengths are measured to the beginning of the snap ring groove.

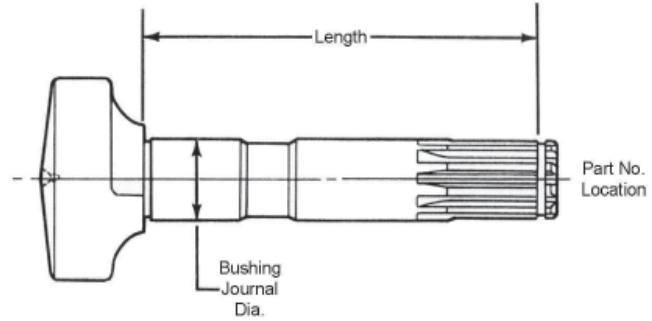
| PART NUMBER | HEAD END | EFFECTIVE LENGTH | UNDER HEAD TO BUSHING JOURNAL END | BUSHING JOURNAL DIAMETER | REPLACES | APPLICATION INFORMATION |
|-------------|----------|------------------|-----------------------------------|--------------------------|--|-------------------------|
| R607094 | LH | 17-23/32" | 1-13/16" | 1-1/2" | 16618, 17573, 202100177L, C715L, E4714A, E4715, E4715A, H10279R, HQ10279R, L2439 | |
| R607093 | RH | | | | 16617, 17572, 202100177R, C714R, E4714, E4714A, E4715A, H10278L, HQ10278L, L2438 | |
| R607084 | LH | 18-5/8" | 1-13/16" | 1-1/2" | 17579, 202100187L, 41764, 72406, C413L, E2413, E2413A, L262, M16WK10213, M16WK1114, M3178L | |
| R607083 | RH | | | | 17578, 202100187R, 41765, 72405, C412R, E2412, E2412A, L261, M16WK10313, M16WK1104, M3178R | |

1-1/2" -10 SPLINE FOR TRANSIT APPLICATIONS WITH MERITOR BRAKES

Use Camshaft Repair Kit: **KIT 8032**



NOTE: LH and RH indicates only the direction of cam rotation;
NOT which side of the vehicle the cam is used on.
(LH = Counterclockwise) (RH = Clockwise)

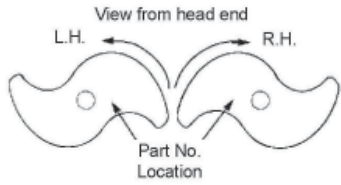


NOTE: All camshaft lengths are measured to the
beginning of the snap ring groove.

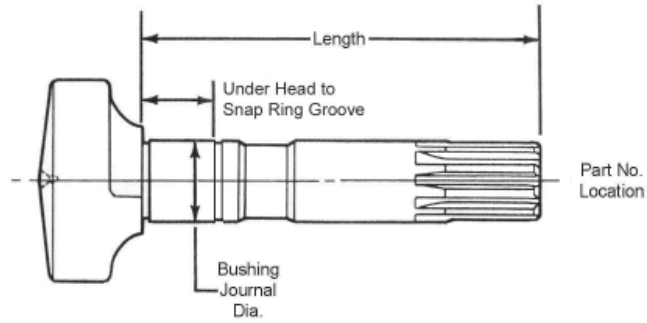
| PART NUMBER | HEAD END | EFFECTIVE LENGTH | BUSHING JOURNAL DIA | REPLACES | APPLICATION INFORMATION |
|-------------|----------|------------------|---------------------|-------------------------------|--|
| 2210-X-5536 | LH | 7-23/32" | 1-1/2" | E10862, H11008L | Chrome plated. 3.88" diameter forged head. |
| 2210-L-6304 | LH | 9-5/16" | 1-1/2" | | 3.88" diameter forged head |
| 2210-K-6303 | RH | 9-5/16" | 1-1/2" | | 3.88" diameter forged head |
| 2210-P-5164 | LH | 9-63/64" | 1-1/2" | | 3.75" diameter machined head. |
| 2210-Q-5165 | RH | 9-63/64" | 1-1/2" | | 3.75" diameter machined head. |
| 2210-H-5754 | LH | 10-1/32" | 1-1/2" | | |
| 2210-G-5753 | RH | 10-1/32" | 1-1/2" | | |
| 2210-N-8204 | RH | 10-5/8" | 1-1/2" | | 3.88" diameter forged head |
| 2210-G-6299 | LH | 15-7/8" | 1-1/2" | | 3.88" diameter forged head |
| 2210-L-6538 | LH | 18-1/2" | 1-1/2" | | 3.88" diameter forged head |
| 2210-K-6537 | RH | 18-1/2" | 1-1/2" | | 3.88" diameter forged head |
| 2210-U-4909 | LH | 5-13/64" | 1-1/2" | E10864, E9685 | |
| 2210-Q-4905 | LH | 5-3/8" | 1-1/2" | 10863, E10863, H11000L, L2821 | |
| 2210-R-4906 | RH | 5-3/8" | 1-1/2" | E10864, H11001R, L2820 | |
| 2210-A-6813 | LH | 17" | 1-1/2" | | 3.88" diameter forged head |
| 2210-Z-6812 | RH | 17" | 1-1/2" | | 3.88" diameter forged head |
| 2210-Z-8294 | LH | 17-1/8" | 1-1/2" | | 3.88" diameter forged head |
| 2210-Y-8293 | RH | 17-1/8" | 1-1/2" | | 3.88" diameter forged head |

1-1/2”-10 SPLINE FOR TRANSIT APPLICATIONS WITH MERITOR BRAKES (with Head End Snap Ring Groove)

Use Camshaft Repair Kit: **KIT 8032**



NOTE: LH and RH indicates only the direction of cam rotation;
NOT which side of the vehicle the cam is used on.
(LH = Counterclockwise) (RH = Clockwise)

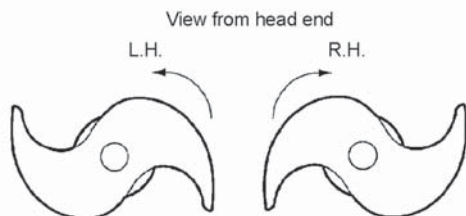


NOTE: All camshaft lengths are measured to the beginning of the snap ring groove.

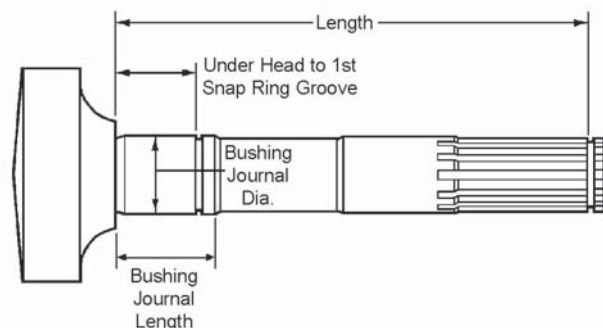
| PART NUMBER | HEAD END | EFFECTIVE LENGTH | UNDER HEAD TO SNAP RING GROOVE | BUSHING JOURNAL DIA | REPLACES | APPLICATION INFORMATION |
|-------------|----------|------------------|--------------------------------|---------------------|----------|----------------------------|
| 2210-H-8432 | LH | 13-39/64" | 3-53/64" | 1-1/2" | | 3.88" diameter forged head |
| 2210-G-8431 | RH | | | | | |
| 2210-Y-6005 | LH | 14-25/32" | 3-53/64" | 1-1/2" | | |
| 2210-Z-6006 | RH | | | | | |
| 2210-A-6007 | LH | 17-25/32" | 3-53/64" | 1-1/2" | H11018L | |
| 2210-B-6008 | RH | | | | H11019R | |

1-1/2" -10 SPLINE FOR MULTI-APPLICATION TRAILER AXLES WITH 16-1/2" BRAKES - SINGLE GROOVE

Use Camshaft Repair Kit: **KIT 8046** - Meritor
R615003 - Eaton (Bolt-On Spider)
R615008 - Spicer
R615008 - Std. Forge



NOTE: LH and RH indicates only the direction of cam rotation;
NOT which side of the vehicle the cam is used on.
(LH = Counterclockwise) (RH = Clockwise)

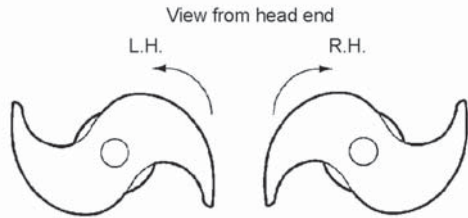


NOTE: All camshaft lengths are measured to the beginning of the snap ring groove.

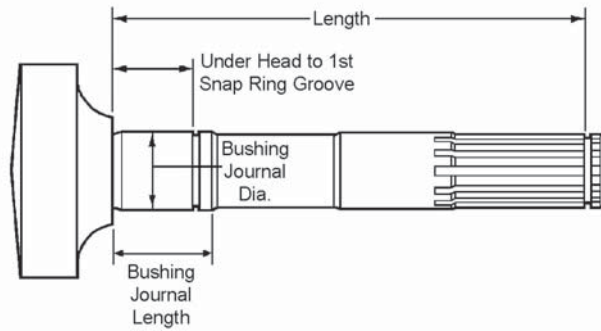
| PART NUMBER | HEAD END | EFFECTIVE LENGTH | UNDER HEAD TO 1st SNAP RING GROOVE | BUSHING JOURNAL LENGTH | BUSHING JOURNAL DIAMETER | REPLACES | APPLICATION INFORMATION |
|--------------------|----------|------------------|------------------------------------|------------------------|--------------------------|---|--|
| R607040 | LH | 16-5/16" | 2-3/16" | 2-1/2" | 1-1/2" | 16470, 17571, 41268, E4713, E4713LH, H10268L, M16WK1027 | For slight variations in length, extra spacer washers may be required. |
| R607032 | LH | 17-11/32" | 2-3/16" | 2-1/2" | 1-1/2" | 202100175L, 41266, E2795, E2795LH, H10266L, L2441, M1015L, M16WK10210, M16WK117 | |
| R607031 | RH | | | | | 202100175R, 41267, E2794, E2794RH, H10267R, L2440, M1015R, M16WK10310, M16WK116 | |
| R607064 | LH | 18-3/8" | 2-3/16" | 2-1/2" | 1-1/2" | 202100185L, 72404, B128399, B169145, E2413A, E689, E689A, L262, M774L | |
| R607063 | RH | | | | | 202100185R, 72403, B1283100, B169146, E2412A, E688, E688A, L261, M774R | |
| 2210-N-2484 | LH | 20-7/16" | 2-3/16" | 2-1/2" | 1-1/2" | 219316 | |
| 2210-M-2483 | RH | | | | | 219317 | |
| 2210-A-6319 | LH | 21-1/8" | 2-3/16" | 2-1/2" | 1-1/2" | 17583, 202100213L, 38186, 41514, 72418, B169117, C688L, CS41514, E685, E685LH, H10514L, L225, M16WK10219, M16WK10319, M567L | |
| 2210-Z-6318 | RH | | | | | 17582, 202100213R, 38185, 41515, 72417, B169118, C689R, CS41515, E684, E684RH, H10515R, L224, M16WK10219, M16WK10319, M567R | |
| 2210-J-2948 | LH | 22-5/16" | 2-3/16" | 2-1/2" | 1-1/2" | C089L, E9089, H10516L, H10542L, L2357, M16WK10276 | |
| 2210-H-2946 | RH | | | | | C090R, E9090, H10543R, L2356, M16WK10376 | |
| 2210-A-6345 | LH | 22-49/64" | 2-3/16" | 2-1/2" | 1-1/2" | M16WK10223 | |
| 2210-Z-6344 | RH | | | | | F169126, M16WK10323 | |

1-1/2" -10 SPLINE FOR MULTI-APPLICATION TRAILER AXLES WITH 16-1/2" BRAKES - SINGLE GROOVE

Use Camshaft Repair Kit:
KIT 8046 - Meritor
R615003 - Eaton (Bolt-On Spider)
R615008 - Spicer
R615008 - Std. Forge



NOTE: LH and RH indicates only the direction of cam rotation;
 NOT which side of the vehicle the cam is used on.
 (LH = Counterclockwise) (RH = Clockwise)

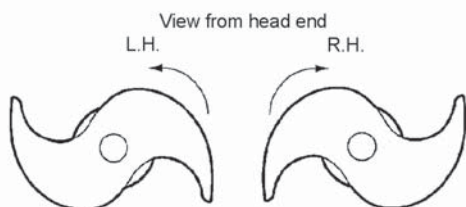


NOTE: All camshaft lengths are measured to the beginning of the snap ring groove.

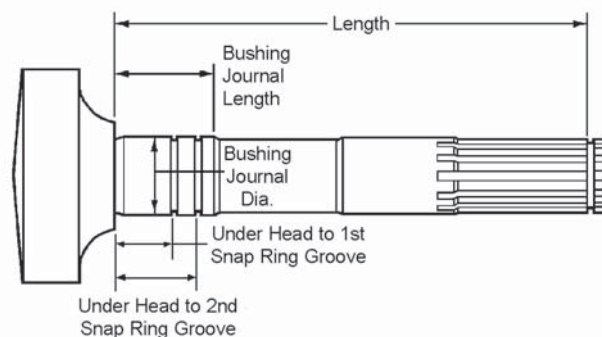
| PART NUMBER | HEAD END | EFFECTIVE LENGTH | UNDER HEAD TO 1st SNAP RING GROOVE | BUSHING JOURNAL LENGTH | BUSHING JOURNAL DIAMETER | REPLACES | APPLICATION INFORMATION |
|--------------------|----------|------------------|------------------------------------|------------------------|--------------------------|--|--|
| 2210-R-6388 | LH | 23-15/32" | 2-3/16" | 2-1/2" | 1-1/2" | | |
| 2210-Q-6387 | RH | | | | | | |
| 2210-D-6400 | LH | 23-31/32" | 2-3/16" | 2-1/2" | 1-1/2" | 41546 | |
| 2210-C-6399 | RH | | | | | 41547 | |
| R607042 | LH | 24" | 2-3/16" | 2-1/2" | 1-1/2" | 16396, 17587, 202100242L, 41002, 41524, 820084, B169155, C717L, E4717, E4717LH, EB820084, H10546L, L903, M16WK10226, M746L | For slight variations in length, extra spacer washers may be required. |
| R607041 | RH | | | | | 16395, 17586, 202100242R, 41525, 820083, B169156, C716R, E4716, E4716RH, EB820083, H10547R, L902, M16WK10326, M746R | Q Plus™ cams can be used to replace the standard Q style cams; however, a Q style cam cannot be used to replace a Q Plus™ cam. |
| R607034 | LH | 24-3/8" | 2-3/16" | 2-1/2" | 1-1/2" | 17589, 202100245L, 41754, 72432, E2797, E2797LH, H10754L, L2090, M16WK10283, M16WK11112, M2601L | |
| R607033 | RH | | | | | 17588, 202100245R, 41755, 72431, E2796, E2796RH, H10755R, L2089, M16WK10012, M16WK10383, M16WK11012, M2601R | |
| 2210-A-6397 | RH | | 2-3/16" | 2-1/2" | 1-1/2" | 17588 | |

1-1/2" -10 SPLINE FOR MULTI-APPLICATION TRAILER AXLES WITH 16-1/2" BRAKES - DOUBLE GROOVE

Use Camshaft Repair Kit: **KIT 8046** - Meritor
R615003 - Eaton (Bolt-On Spider)
R615008 - Spicer / Std. Forge



NOTE: LH and RH indicates only the direction of cam rotation;
NOT which side of the vehicle the cam is used on.
(LH = Counterclockwise) (RH = Clockwise)



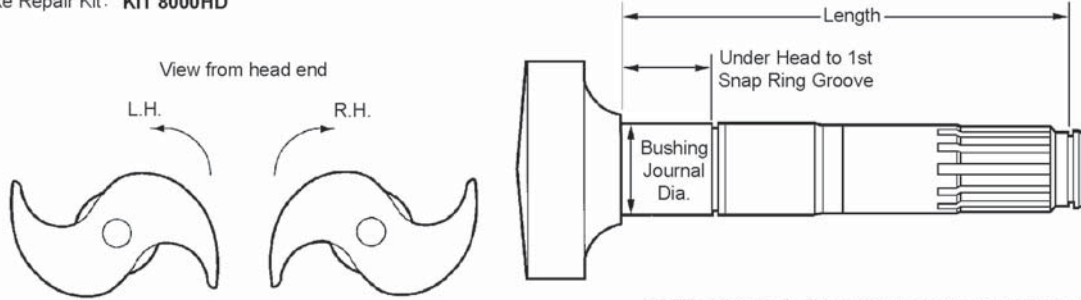
NOTE: All camshaft lengths are measured to the beginning of the snap ring groove.

| PART NUMBER | HEAD END | EFFECTIVE LENGTH | UNDER HEAD TO 1st SNAP RING GROOVE | UNDER HEAD TO 2nd SNAP RING GROOVE | BUSHING JOURNAL LENGTH | BUSHING JOURNAL DIAMETER | REPLACES | APPLICATION INFORMATION |
|----------------|----------|------------------|------------------------------------|------------------------------------|------------------------|--------------------------|---|-------------------------|
| R607101 | LH | 18-3/8" | 1-5/8" | 2-3/16" | 2-1/2" | 1-1/2" | 16915, 202100185L, B16915, E689, E689A, L1194, M16WK10312 | |
| R607102 | RH | | | | | | 202100185R, B16916, E688, E688A, L1193, M16WK10212 | |
| R607022 | LH | 20-3/8" | 1-5/8" | 2-3/16" | 2-1/2" | 1-1/2" | 820073, B16911, B1691131, C108R, E2107, E2107LH, E2108, E2108RH, EB820073, EB820074, L1629, M557L | |
| R607021 | RH | | | | | | 820074, B1691132, B16912, C107L, E2107, E2107LH, E2108, E2108RH, EB820073, EB820074, L1628, M557R | |
| R607082 | LH | 20-7/16" | 1-5/8" | 2-3/16" | 2-1/2" | 1-1/2" | 11239, 17581, 202100205L, 41506, 72411, C425L, E1425, E1425A, E557, H10506L, HQ10506L, L174, M16WK10217, M16WK10317, M562L | |
| R607081 | RH | | | | | | 11238, 17580, 202100205R, 41507, 72412, C424R, E1424, E1424A, E556, H10507R, HQ10507R, L173, M16WK10217, M16WK10317, M562R | |
| R607002 | LH | 23-15/32" | 1-5/8" | 2-3/16" | 2-1/2" | 1-1/2" | 17575, 17587, 202100236L, 41522, 72426, B169125, C095L, E1095, E1095LH, F169125, H10522L, L580, L581, M16WK10225, M16WK10325, M744L | |
| R607001 | RH | | | | | | 17574, 17586, 202100236R, 41523, 72425, B169126, C094R, E1094, E1094RH, H10523R, L580, L581, M16WK10225, M16WK10325, M744R | |

1-1/2" -10 SPLINE FOR MERITOR TRAILER AXLES WITH 16-1/2" Q Plus™ BRAKES

Use Camshaft Repair Kit: **KIT 8048**

Use Brake Repair Kit: **KIT 8000HD**



NOTE: LH and RH indicates only the direction of cam rotation;
NOT which side of the vehicle the cam is used on.
(LH = Counterclockwise) (RH = Clockwise)

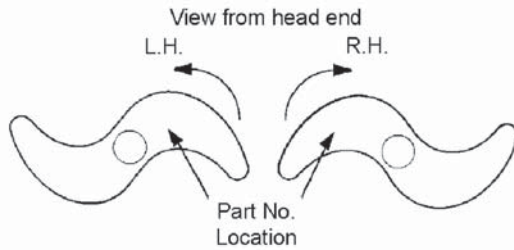
NOTE: All camshaft lengths are measured to the beginning of the snap ring groove.

| PART NUMBER | HEAD END | EFFECTIVE LENGTH | UNDER HEAD TO 1st SNAP RING GROOVE | BUSHING JOURNAL DIAMETER | REPLACES | APPLICATION INFORMATION |
|----------------|----------|------------------|------------------------------------|--------------------------|---|--|
| R607070 | LH | 20-13/32" | 1-45/64" | 1-5/8" | 17633, 41532, 72415, E2449, E2449A, H10532L, HQ10532L, L1656, M994L | For slight variations in length, extra spacer washers may be required. |
| R607069 | RH | | | | 17632, 41533, 72416, E2450, E2450A, H10533R, HQ10533R, L1655, M994R | |
| R607068 | LH | 24-1/16" | 1-45/64" | 1-5/8" | 17643, 41752, 72429, E2451, E2451A, H10752L, HQ10752L, L1654, M995L | Q Plus™ cams can be used to replace the standard Q style cams; however, a Q style cam cannot be used to replace a Q Plus™ cam. |
| R607067 | RH | | | | 17642, 41753, 72430, E2452, E2452A, H10753R, HQ10753R, L1653, M995R | |

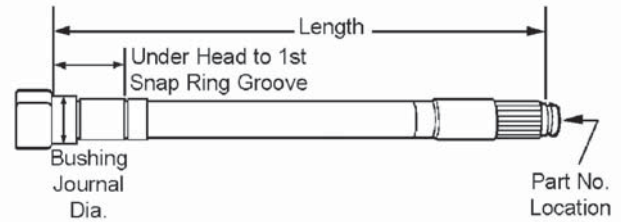
1-1/2"-28 SPLINE SMALL HEAD CAMSHAFTS FOR MERITOR TRAILER AXLES WITH 12-1/4" BRAKES

Use Camshaft Repair Kit: **KIT 8048**

Use Brake Repair Kit: **KIT 8004**



NOTE: LH and RH indicates only the direction of cam rotation; NOT which side of the vehicle the cam is used on. (LH = Counterclockwise) (RH = Clockwise)



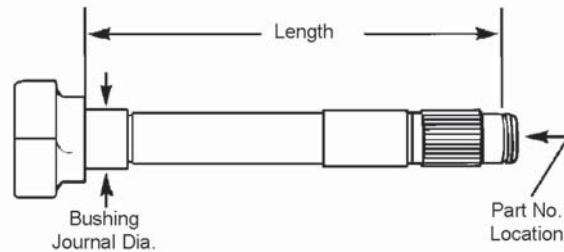
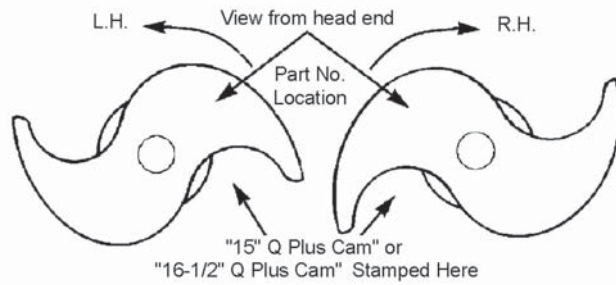
NOTE: All camshaft lengths are measured to the beginning of the snap ring groove.

| PART NUMBER | HEAD END | EFFECTIVE LENGTH | UNDER HEAD TO 1st SNAP RING GROOVE | BUSHING JOURNAL DIAMETER | REPLACES | APPLICATION INFORMATION |
|-------------|----------|------------------|------------------------------------|--------------------------|--|-------------------------|
| 2210-C-6165 | LH | 20-13/32" | 1-45/64" | 1-5/8" | 17700, 17701, 41510, CS41106, E3516, E3516LH, H10370L, L2348, M2602L | |
| 2210-D-6166 | RH | | | | 17700, 17701, 41511, CS41107, E3517, E3517RH, H10371R, L2347, M2602R | |
| 2210-E-6167 | LH | 23-15/64" | 1-45/64" | 1-5/8" | CS41108, E9087, H10372L, L3347, M3688R | |
| 2210-F-6168 | RH | | | | CS41109, E9088, H10373R, L3346, M3688L | |

1-1/2" -28 SPLINE FOR TRUCKS AND TRACTORS WITH MERITOR Q Plus™ BRAKES

Use Camshaft Repair Kit:
KIT 8042
KIT 8883 "LX/MX" Brakes

Use Brake Repair Kit:
KIT 8000HD 16-1/2" Brakes
KIT 8824HD or **R508824** 15" Brakes



NOTE: LH and RH indicates only the direction of cam rotation;
NOT which side of the vehicle the cam is used on.
(LH = Counterclockwise) (RH = Clockwise)

NOTE: All camshaft lengths are measured to the
beginning of the snap ring groove.

| PART NUMBER | HEAD END | EFFECTIVE LENGTH | BUSHING JOURNAL DIAMETER | REPLACES | APPLICATION INFORMATION |
|-------------|----------|------------------|--------------------------|---|----------------------------------|
| 2210-L-7344 | LH | 6-13/64" | 1-1/2" | E11513, HQ10374L | 16-1/2" brakes. |
| 2210-K-7343 | RH | | | E11512, HQ10375R | |
| 2210-L-7396 | LH | 7-45/64" | 1-1/2" | E9645, M1308L, 04-480772, CS40172, HQ10300L, L3038, C645L | 16-1/2" brakes. |
| 2210-K-7395 | RH | | | E9646, M1308R, 04-480771, CS40173, HQ10301R, L3039, C646R | |
| 2210-Y-7409 | LH | 8-3/32" | 1-1/2" | 04-057, 04-460822, E4999, E9647, CS41172, H10400L, HQ10344L, L2869, L3437, C647L | 16-1/2" brakes. |
| 2210-X-7408 | RH | | | 04-056, 04-460821, E9648, CS41173, H10401R, HQ10345R, L2868, C648R | |
| 2210-K-8331 | LH | 7-31/64" | 1-5/8" | E11607 | 16-1/2" brakes. LX/MX 500 Series |
| 2210-J-8330 | RH | | | E11606 | |
| 2210-C-7413 | LH | 8-13/64" | 1-1/2" | E11517, HQ10338L | 16-1/2" brakes. |
| 2210-B-7412 | RH | | | E11516, HQ10339R | |
| 2210-G-7417 | LH | 8-5/16" | 1-1/2" | E11519, HQ10378L | |
| 2210-F-7416 | RH | | | E11518, HQ10379R | |
| 2210-H-7418 | LH | 8-29/64" | 1-1/2" | E11520, H10841R | 15" brakes. |
| 2210-J-7420 | RH | | | E11521, H10840L | |
| 2210-X-8318 | LH | 8-37/64" | 1-5/8" | E11609 | 16-1/2" brakes. LX/MX 500 Series |
| 2210-W-8317 | RH | | | E11608 | |
| 2210-Q-7427 | LH | 8-19/32" | 1-1/2" | 18825, 41550, C427L, CS40174, E4896, E9649, H10551R, HQ10302L, L2871, L3351, M2605L, M3109L | 16-1/2" brakes. |
| 2210-P-7426 | RH | | | 41551, C426R, CS40175, E9650, L2870, L3350, M2605R, M3109R | |
| 2210-R-7428 | LH | 8-45/64" | 1-1/2" | E11522, H10843R, L3348 | 15" brakes. |
| 2210-S-7429 | RH | | | E11523, H10842L, L3349 | |
| 2210-U-7431 | LH | 8-45/64" | 1-1/2" | E11525, HQ10382L | 16-1/2" brakes. |
| 2210-T-7430 | RH | | | E11524, HQ10383R | |
| 2210-R-8182 | LH | 8-45/64" | 1-5/8" | H12028L | 15" brakes. LX/MX 500 Series |
| 2210-Q-8181 | RH | | | | |

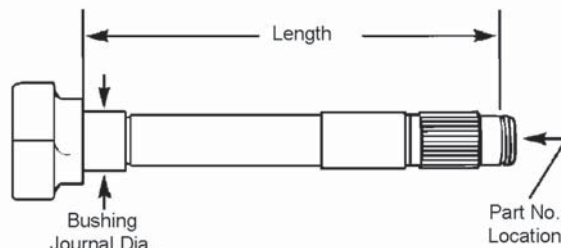
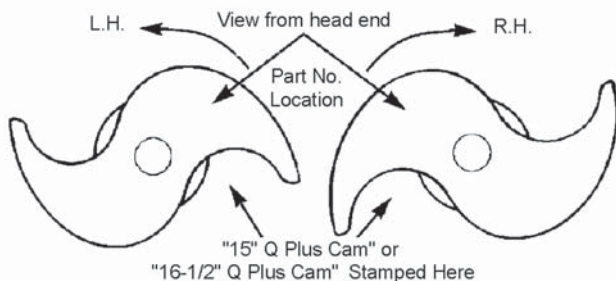
For slight variations in length, extra spacer washers may be required.

Q Plus™ cams can be used to replace the standard Q style cams; however, a Q style cam cannot be used to replace a Q Plus™ cam.

1-1/2"-28 SPLINE FOR TRUCKS AND TRACTORS WITH MERITOR Q Plus™ BRAKES

Use Camshaft Repair Kit:
KIT 8042
KIT 8883 "LX/MX" Brakes

Use Brake Repair Kit:
KIT 8000HD 16-1/2" Brakes
KIT 8824HD or R508824 15" Brakes



NOTE: LH and RH indicates only the direction of cam rotation;
NOT which side of the vehicle the cam is used on.
(LH = Counterclockwise) (RH = Clockwise)

NOTE: All camshaft lengths are measured to the
beginning of the snap ring groove.

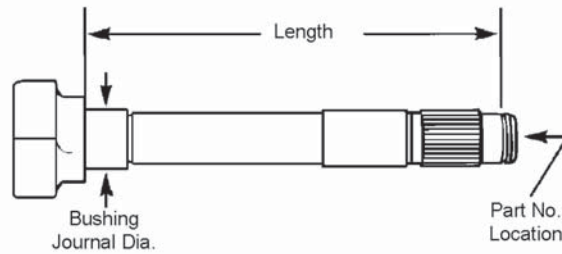
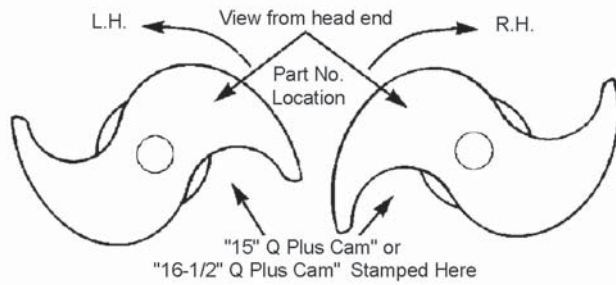
| PART NUMBER | HEAD END | EFFECTIVE LENGTH | BUSHING JOURNAL DIAMETER | REPLACES | APPLICATION INFORMATION |
|-------------|----------|------------------|--------------------------|--|----------------------------------|
| 2210-G-7443 | LH | 9-3/32" | 1-1/2" | 41552, C651L, CS41158, E9084, E9651, H10552L, L3399, M3121L | 16-1/2" brakes. |
| 2210-F-7442 | RH | | | 41553, C652R, CS41159, E4899, E9652, H10553R, L3398, M3121R | |
| 2210-T-8184 | LH | 9-5/16" | 1-5/8" | E11611 | 16-1/2" brakes. LX/MX 500 Series |
| 2210-S-8183 | RH | | | E11610 | |
| 2210-M-7449 | LH | 9-5/16" | 1-1/2" | H10844L | 15" brakes. |
| 2210-N-7450 | RH | | | | |
| 2210-Q-7453 | LH | 9-5/16" | 1-1/2" | E11527, H11024L, HQ10384L | 16-1/2" brakes. |
| 2210-P-7452 | RH | | | E11526, H11025R, HQ10385R | |
| 2210-R-7454 | LH | 9-29/64" | 1-1/2" | E9067, E9067A, E9068A, H10846L, H11034L, L3342 | 15" brakes. |
| 2210-S-7455 | RH | | | E9067A, E9068, E9068A, H10847R, H11035R, L3343 | |
| 2210-U-7457 | LH | 9-29/64" | 1-1/2" | 41554, C653L, CS41150, E4725, E9653, H10555R, HQ10360L, L2875, L3417 | 16-1/2" brakes. |
| 2210-T-7456 | RH | | | 41555, C654R, CS41151, E4724, E9654, H10554L, HQ10361R, L2874, L3416 | |
| 2210-C-7465 | LH | 9-45/64" | 1-1/2" | E11529, HQ10386L | |
| 2210-B-7464 | RH | | | E11528, HQ10387R | |
| 2210-G-7469 | LH | 9-13/16" | 1-1/2" | E11531, HQ10388L | |
| 2210-F-7468 | RH | | | E11530, HQ10389R | |
| 2210-L-7474 | LH | 9-61/64" | 1-1/2" | E11533, HQ10390L, L3491 | |
| 2210-K-7473 | RH | | | E11532, HQ10391R, L3490 | |
| 2210-Q-7479 | LH | 10-3/32" | 1-1/2" | E11535, HQ10392L | 16-1/2" brakes. |
| 2210-P-7478 | RH | | | E11534, HQ10393R | |
| 2210-W-7485 | LH | 10-13/64" | 1-1/2" | | |
| 2210-V-7484 | RH | | | E11536 | |
| 2210-E-7493 | LH | 10-29/64" | 1-1/2" | 18827, 18829, 41556, C655L, CS40178, E3347, E9655, H10556L, HQ10306L, L2873, L3093, M3179L | |
| 2210-D-7492 | RH | | | 18826, 18828, 41557, C656R, CS40179, E3348, E9656, H10557R, HQ10307R, L2872, L3092, M3179R | |

For slight variations in length, extra spacer washers may be required.
Q Plus™ cams can be used to replace the standard Q style cams; however, a Q style cam cannot be used to replace a Q Plus™ cam.

1-1/2" -28 SPLINE FOR TRUCKS AND TRACTORS WITH MERITOR Q Plus™ BRAKES

Use Camshaft Repair Kit:
KIT 8042
KIT 8883 "LX/MX" Brakes

Use Brake Repair Kit:
KIT 8000HD 16-1/2" Brakes
KIT 8824HD or **R508824** 15" Brakes



NOTE: LH and RH indicates only the direction of cam rotation;
NOT which side of the vehicle the cam is used on.
(LH = Counterclockwise) (RH = Clockwise)

NOTE: All camshaft lengths are measured to the
beginning of the snap ring groove.

| PART NUMBER | HEAD END | EFFECTIVE LENGTH | BUSHING JOURNAL DIAMETER | REPLACES | APPLICATION INFORMATION |
|-------------|----------|------------------|--------------------------|--|--|
| 2210-H-7496 | LH | 10-33/64" | 1-1/2" | E11539, H10848L, H10849R | 15" brakes. |
| 2210-J-7498 | RH | | | E11538, H10848L, H10849R | |
| 2210-X-8370 | LH | 10-37/64" | 1-5/8" | E11615 | 16-1/2" brakes. LX/MX 500 Series |
| 2210-L-7500 | LH | 10-19/32" | 1-1/2" | E11541, L3095, M3110L | 16-1/2" brakes. |
| 2210-K-7499 | RH | | | E11540, L3094, M3110R | |
| 2210-N-7502 | LH | 10-19/32" | 1-1/2" | E11543, HQ10308L | 16-1/2" brakes. Induction hardened body. |
| 2210-M-7501 | RH | | | E11542, HQ10309R | |
| 2210-Q-7843 | LH | 10-45/64" | 1-1/2" | E11545, HQ10396L | 16-1/2" brakes. |
| 2210-P-7842 | RH | | | E11544, HQ10397R | |
| 2210-W-7511 | LH | 10-13/16" | 1-1/2" | E11547, HQ10398L | 16-1/2" brakes. |
| 2210-V-7510 | RH | | | E11546, HQ10399R | |
| 2210-A-7515 | LH | 10-61/64" | 1-1/2" | 18829, 23-122700, 23122700, 41558, 54103, C657L, CS41160, E4727, E9657, H10558L, HQ10348L, L2877, L3246, L3414, M16WKL25252, M2612L | 16-1/2" brakes. |
| 2210-Z-7514 | RH | | | 18828, 41559, C658R, CS41161, E4726, E9658, H10559R, HQ10349R, L2876, L3247, L3415, M16WKR25252, M2612R | |
| 2210-J-7524 | LH | 11-13/64" | 1-1/2" | 12236, 41560, 72433, C349L, C359L, C524L, CS40182, E5003, H10402L, H10560L, HQ10310L, L2341, L2879, L3097, M2612L, M2613L, M3111L | 16-1/2" brakes. |
| 2210-H-7522 | RH | | | 12601, 18830, 41561, 72434, C350R, C522R, CS40183, E3350, E5004, E9660, E9676, H10403R, H10561R, HQ10311R, L2340, L2878, L3096, M2612R, M2613R, M3111R | |
| 2210-Z-8216 | LH | 11-13/64" | 1-5/8" | E11619, M2613L | 16-1/2" brakes. LX/MX 500 Series |
| 2210-Y-8215 | RH | | | E11618, M2613R | |
| 2210-X-8214 | LH | 11-37/64" | 1-5/8" | E11621 | 16-1/2" brakes. |
| 2210-W-8213 | RH | | | E11620 | |
| 2210-T-7534 | LH | 11-19/32" | 1-1/2" | E11550, H10865R, L3493 | 15" brakes. |
| 2210-U-7535 | RH | | | E11551, H10864L, L3492 | |

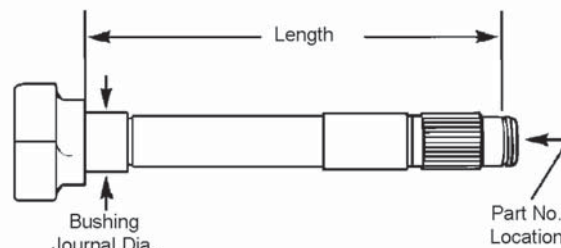
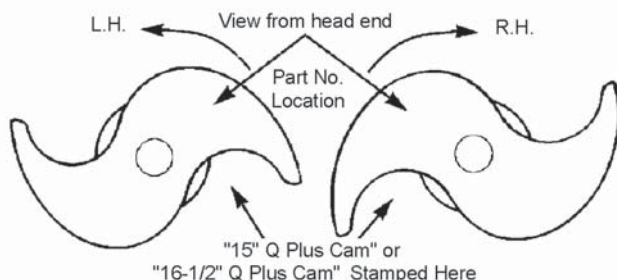
For slight variations in length, extra spacer washers may be required.

Q Plus™ cams can be used to replace the standard Q style cams; however, a Q style cam cannot be used to replace a Q Plus™ cam.

1-1/2"-28 SPLINE FOR TRUCKS AND TRACTORS WITH MERITOR Q Plus™ BRAKES

Use Camshaft Repair Kit:
KIT 8042
KIT 8883 "LX/MX" Brakes

Use Brake Repair Kit:
KIT 8000HD 16-1/2" Brakes
KIT 8824HD or R508824 15" Brakes



NOTE: LH and RH indicates only the direction of cam rotation;
NOT which side of the vehicle the cam is used on.
(LH = Counterclockwise) (RH = Clockwise)

NOTE: All camshaft lengths are measured to the
beginning of the snap ring groove.

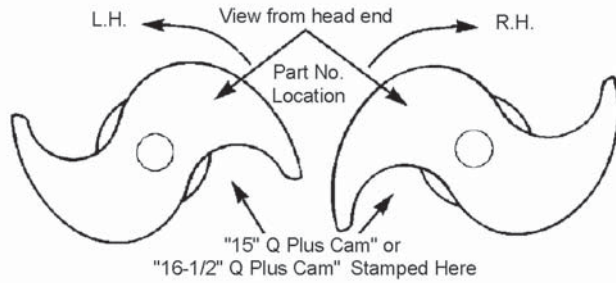
| PART NUMBER | HEAD END | EFFECTIVE LENGTH | BUSHING JOURNAL DIAMETER | REPLACES | APPLICATION INFORMATION |
|-------------|----------|------------------|--------------------------|--|--|
| 2210-W-7537 | LH | 11-19/32" | 1-1/2" | 18833, 41662, 72435, C351L, C537L, E3351, E9661, H10562L, HQ10312L, L2339, L3099, M2614L, M3112L | |
| 2210-V-7536 | RH | | | 41663, 72436, C352R, E3352, H10563R, HQ10313R, L2338, M2614R | |
| 2210-Y-7539 | LH | 11-11/16" | 1-1/2" | | 16-1/2" brakes. |
| 2210-X-7538 | RH | | | | |
| 2210-C-7543 | LH | 11-45/64" | 1-1/2" | C663L, E6882, E9663, L3035, L3575 | |
| 2210-B-7542 | RH | | | C664R, CS41153, E6883, E9664, H10405R, HQ10341R, L3034, L3574 | |
| 2210-V-8316 | LH | 11-45/64" | 1-5/8" | E11623 | 16-1/2" brakes. LX/MX 500 Series |
| 2210-U-8315 | RH | | | E11622 | |
| 2210-G-7547 | LH | 11-13/16" | 1-1/2" | E11553 | |
| 2210-F-7546 | RH | | | E11552 | |
| 2210-L-7552 | LH | 11-61/64" | 1-1/2" | C665L, E9665, HQ10362L, L3419, M3113L | 16-1/2" brakes. |
| 2210-K-7551 | RH | | | C666R, E9666, HQ10363R, L3418, M3113R | |
| 2210-T-8288 | LH | 11-61/64" | 1-5/8" | E11625 | 16-1/2" brakes. LX/MX 500 Series |
| 2210-S-8287 | RH | | | E11624 | |
| 2210-U-7561 | LH | 12-13/64" | 1-1/2" | E11555 | |
| 2210-T-7560 | RH | | | E11554 | |
| 2210-X-7564 | RH | 12-5/16" | 1-1/2" | E11557 | |
| 2210-C-7569 | LH | 12-29/64" | 1-1/2" | 41564, C667L, CS41154, E4894, E9667, H10564L, HQ10356L, L2881, L3483, M2606L | 16-1/2" brakes. |
| 2210-B-7568 | RH | | | 41565, C668R, CS41155, E4895, E9668, H10565R, HQ10357R, L2880, L3482, M2606R | |
| 2210-S-7845 | LH | 12-29/64" | 1-1/2" | E11559 | 16-1/2" brakes. Induction hardened body. |
| 2210-R-7844 | RH | | | E11558 | |
| 2210-Q-7583 | LH | 12-13/16" | 1-1/2" | E11563, L3051 | |
| 2210-P-7582 | RH | | | E11562, L3050 | 16-1/2" brakes. |

For slight variations in length, extra spacer washers may be required.
Q Plus™ cams can be used to replace the standard Q style cams; however, a Q style cam cannot be used to replace a Q Plus™ cam.

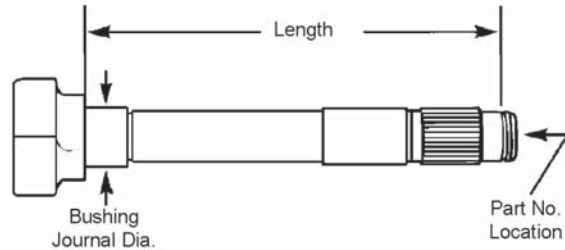
1-1/2" -28 SPLINE FOR TRUCKS AND TRACTORS WITH MERITOR Q Plus™ BRAKES

Use Camshaft Repair Kit:
KIT 8042
KIT 8883 "LX/MX" Brakes

Use Brake Repair Kit:
KIT 8000HD 16-1/2" Brakes
KIT 8824HD or R508824 15" Brakes



NOTE: LH and RH indicates only the direction of cam rotation;
NOT which side of the vehicle the cam is used on.
(LH = Counterclockwise) (RH = Clockwise)



NOTE: All camshaft lengths are measured to the beginning of the snap ring groove.

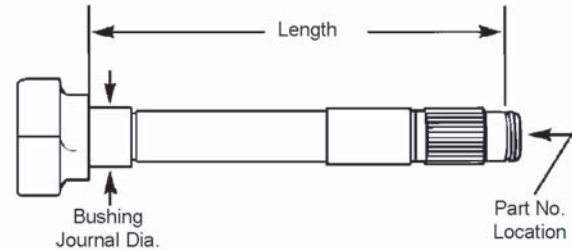
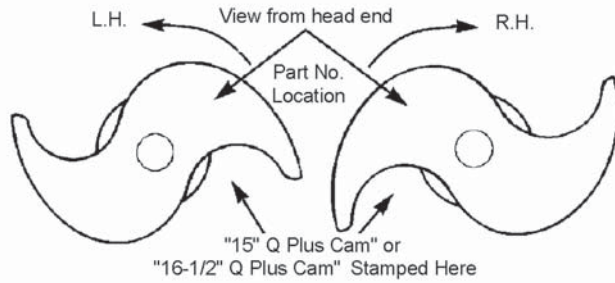
| PART NUMBER | HEAD END | EFFECTIVE LENGTH | BUSHING JOURNAL DIAMETER | REPLACES | APPLICATION INFORMATION |
|--------------------|----------|------------------|--------------------------|--|--|
| 2210-U-7587 | LH | | | 18837, 41566, C669L, CS41156, E4729, E9669, H10566L, HQ10358L, L2883, L3403, M2607L | |
| | | 12-61/64" | 1-1/2" | | |
| 2210-T-7586 | RH | | | 18836, 41567, C670R, C684R, CS41157, E4728, E9086, E9670, H10567R, H10779R, HQ10343R, HQ10359R, L2882, L3402, M2607R | 16-1/2" brakes. |
| 2210-V-8394 | LH | 12-61/64" | 1-5/8" | E11627 | 16-1/2" brakes. LX/MX 500 Series |
| 2210-U-8393 | RH | | | E11626 | |
| 2210-Y-7591 | LH | 13-3/32" | 1-1/2" | E11565 | |
| 2210-X-7590 | RH | | | E11564 | |
| 2210-C-7595 | LH | 13-13/64" | 1-1/2" | 18821, 41568, C595L, C731L, CS40186, E4731, H10568L, HQ10316L, L2885, M2597L, M2598L, M3114L | 16-1/2" brakes. |
| 2210-B-7594 | RH | | | 41569, C730R, E4730, H10569R, HQ10317R, L2884, M2597R, M3114R | |
| 2210-M-8333 | LH | 13-13/64" | 1-5/8" | E11629, M2597L | 16-1/2" brakes. LX/MX 500 Series |
| 2210-Z-7592 | LH | 13-19/64" | 1-1/2" | | |
| 2210-A-7593 | RH | | | | 15" brakes. |
| 2210-E-7597 | LH | 13-5/16" | 1-1/2" | E11567, H10868L | |
| 2210-D-7596 | RH | | | E11566, H10869R | |
| 2210-L-7604 | LH | 13-29/64" | 1-1/2" | 18823, CS40188, E4733, E4733A, E9673, L2887, L3103 | 16-1/2" brakes. |
| 2210-K-7603 | RH | | | 18822, CS40189, E4732, E4732A, E9674, L2886, L3102 | |
| 2210-L-7838 | LH | 13-29/64" | 1-1/2" | 18823, 41770, CS41770, E4733, E4733A, E9673A, H10770L, HQ10318L, HQ10320L, L2889, L3105, M2598L, M3682L | 16-1/2" brakes. Induction hardened body. |
| 2210-K-7837 | RH | | | 18822, 41771, CS41771, E4732, E4732A, E9674A, H10771R, HQ10319R, HQ10321R, L2888, L3104, M2598R, M3682R | |
| 2210-X-8266 | LH | 13-29/64" | 1-5/8" | E11631 | 16-1/2" brakes. LX/MX 500 Series |
| 2210-W-8265 | RH | | | E11630 | |
| 2210-Q-7609 | LH | 13-19/32" | 1-1/2" | E11569 | 16-1/2" brakes. |
| 2210-P-7608 | RH | | | E11568 | |

For slight variations in length, extra spacer washers may be required.
Q Plus™ cams can be used to replace the standard Q style cams; however, a Q style cam cannot be used to replace a Q Plus™ cam.

1-1/2" -28 SPLINE FOR TRUCKS AND TRACTORS WITH MERITOR Q Plus™ BRAKES

Use Camshaft Repair Kit:
KIT 8042
KIT 8883 "LX/MX" Brakes

Use Brake Repair Kit:
KIT 8000HD 16-1/2" Brakes
KIT 8824HD or R508824 15" Brakes



NOTE: LH and RH indicates only the direction of cam rotation;
NOT which side of the vehicle the cam is used on.
(LH = Counterclockwise) (RH = Clockwise)

NOTE: All camshaft lengths are measured to the beginning of the snap ring groove.

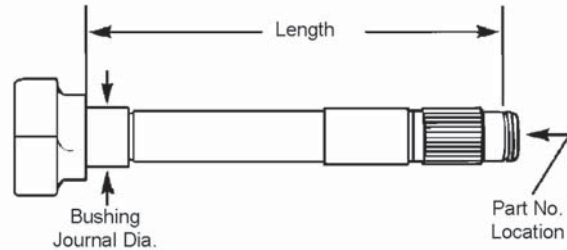
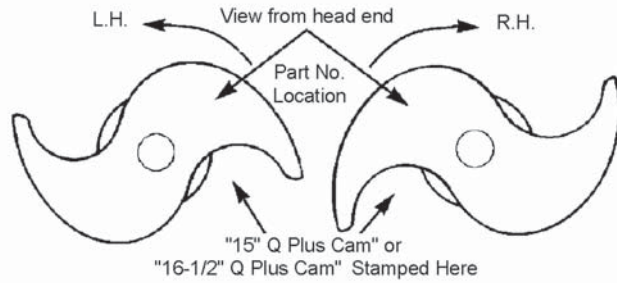
| PART NUMBER | HEAD END | EFFECTIVE LENGTH | BUSHING JOURNAL DIAMETER | REPLACES | APPLICATION INFORMATION |
|--------------------|----------|------------------|--------------------------|---|----------------------------------|
| 2210-W-7615 | LH | 13-45/64" | 1-1/2" | E4910A, L2847 | |
| 2210-V-7614 | RH | | | E4911A, L2846 | |
| 2210-A-7619 | LH | 13-13/16" | 1-1/2" | E11571 | |
| 2210-Z-7618 | RH | | | E11570 | |
| 2210-J-7628 | LH | 14-3/32" | 1-1/2" | 18835, 18839, C675L, CS40192, E4735, H10772L, HQ10322L, L2343, M2599L, M3683L | |
| 2210-H-7626 | RH | | | 18834, 18838, C676R, CS40193, E4734, E9676, H10773R, HQ10323R, L2342, L3106, M2599R, M3683R | |
| 2210-S-7637 | LH | 14-5/16" | 1-1/2" | E11573 | |
| 2210-R-7636 | RH | | | E11572 | |
| 2210-V-8342 | LH | 14-37/64" | 1-5/8" | E11633 | 16-1/2" brakes. LX/MX 500 Series |
| 2210-U-8341 | RH | | | E11632 | |
| 2210-A-7645 | LH | 14-19/32" | 1-1/2" | C677L, CS40196, E9677, L3338 | |
| 2210-Z-7644 | RH | | | C678R, CS40197, E9082, E9678, H10775R, HQ10337R, L2890, L3339 | |
| 2210-E-7649 | LH | 14-45/64" | 1-1/2" | E11575 | |
| 2210-D-7648 | RH | | | E11574 | |
| 2210-J-7654 | LH | 14-13/16" | 1-1/2" | C679L, CS40194, E9679, HQ10324L, L3109, M3115L, M3684L | 16-1/2" brakes. |
| 2210-H-7652 | RH | | | C680R, CS40195, E9680, HQ10325R, L3108, M3115R, M3684R | |
| 2210-Q-7661 | LH | 14-61/64" | 1-1/2" | E11577, HQ10676L | |
| 2210-P-7660 | RH | | | E11576, HQ10677R | |
| 2210-P-8284 | LH | 14-61/64" | 1-5/8" | E11635 | 16-1/2" brakes. LX/MX 500 Series |
| 2210-N-8282 | RH | | | E11634 | |
| 2210-U-7665 | LH | 15-3/32" | 1-1/2" | E11579 | |
| 2210-T-7664 | RH | | | E11578 | |
| 2210-A-7671 | LH | 15-13/64" | 1-1/2" | C681L, CS40198, E9083, E9681, H10776L, HQ10328L, L3111, L3335, M3685L | 16-1/2" brakes. |
| 2210-Z-7670 | RH | | | C682R, CS40199, E9084, E9682, H10777R, HQ10329R, L3110, L3334, M3685R | |

For slight variations in length, extra spacer washers may be required.
Q Plus™ cams can be used to replace the standard Q style cams; however, a Q style cam cannot be used to replace a Q Plus™ cam.

1-1/2"-28 SPLINE FOR TRUCKS AND TRACTORS WITH MERITOR Q Plus™ BRAKES

Use Camshaft Repair Kit:
KIT 8042
KIT 8883 "LX/MX" Brakes

Use Brake Repair Kit:
KIT 8000HD 16-1/2" Brakes
KIT 8824HD or R508824 15" Brakes



NOTE: LH and RH indicates only the direction of cam rotation;
NOT which side of the vehicle the cam is used on.
(LH = Counterclockwise) (RH = Clockwise)

NOTE: All camshaft lengths are measured to the beginning of the snap ring groove.

| PART NUMBER | HEAD END | EFFECTIVE LENGTH | BUSHING JOURNAL DIAMETER | REPLACES | APPLICATION INFORMATION |
|-------------|----------|------------------|--------------------------|---|----------------------------------|
| 2210-B-8218 | LH | 15-13/64" | 1-5/8" | E11637 | 16-1/2" brakes. LX/MX 500 Series |
| 2210-A-8217 | RH | | | E11536, E11636 | |
| 2210-E-7675 | LH | 15-5/16" | 1-1/2" | E11583, M3116L | 16-1/2" brakes. |
| 2210-D-7674 | RH | | | E11582, M3116R | |
| 2210-N-7684 | LH | 15-19/32" | 1-1/2" | E10306, E10306A, H10414L, HQ10330L, L3345, M3686L | 16-1/2" brakes. |
| 2210-M-7683 | RH | | | E10307, E10307A, H10415R, HQ10331R, L3344, M3686R | |
| 2210-S-7689 | LH | 15-45/64" | 1-1/2" | C683L, E9085, H10778L, HQ10342L, L3331 | 16-1/2" brakes. LX/MX 500 Series |
| 2210-R-7688 | RH | | | C684R, E9086, E9684, L3330 | |
| 2210-D-8220 | LH | 15-45/64" | 1-5/8" | E11639 | 16-1/2" brakes. LX/MX 500 Series |
| 2210-C-8219 | RH | | | E11638 | |
| 2210-M-8177 | LH | 15-13/16" | 1-5/8" | E11641 | 16-1/2" brakes. |
| 2210-L-8176 | RH | | | E11640 | |
| 2210-W-7693 | LH | 15-13/16" | 1-1/2" | E11585, HQ10332L, L3341, M-3687L, M3117L, M3687L | 16-1/2" brakes. |
| 2210-V-7692 | RH | | | E11584, HQ10333R, L3340, M-3687R, M3117R, M3687R | |
| 2210-A-7697 | LH | 15-61/64" | 1-1/2" | E11587 | 16-1/2" brakes. |
| 2210-Z-7696 | RH | | | E11585, E11586, M-3687L | |
| 2210-E-7701 | LH | 16-3/32" | 1-1/2" | E11589 | 16-1/2" brakes. |
| 2210-D-7700 | RH | | | E11588 | |
| 2210-S-7715 | LH | 16-29/64" | 1-1/2" | E11591 | 16-1/2" brakes. |
| 2210-R-7714 | RH | | | E11590 | |
| 2210-W-7719 | LH | 16-19/32" | 1-1/2" | E11593, M3118L | 16-1/2" brakes. |
| 2210-V-7718 | RH | | | E11592, M3118R | |
| 2210-E-7727 | LH | 16-13/16" | 1-1/2" | E11595 | 16-1/2" brakes. |
| 2210-D-7726 | RH | | | E11594 | |
| 2210-J-7732 | LH | 16-61/64" | 1-1/2" | E11597 | 16-1/2" brakes. |
| 2210-H-7730 | RH | | | E11596 | |
| 2210-A-7749 | LH | 17-29/64" | 1-1/2" | E11599 | 16-1/2" brakes. |
| 2210-Z-7748 | RH | | | E11598 | |

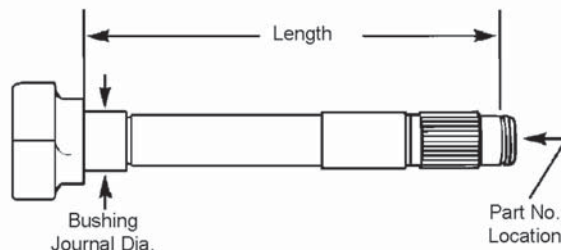
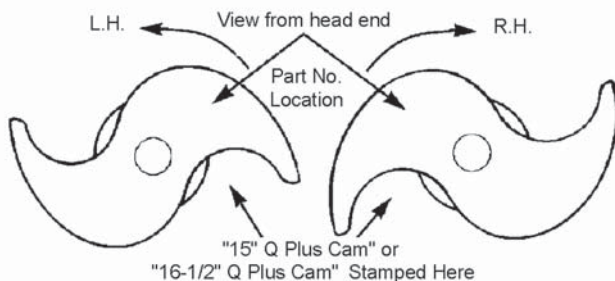
For slight variations in length, extra spacer washers may be required.

Q Plus™ cams can be used to replace the standard Q style cams; however, a Q style cam cannot be used to replace a Q Plus™ cam.

1-1/2"-28 SPLINE FOR TRUCKS AND TRACTORS WITH MERITOR Q Plus™ BRAKES

Use Camshaft Repair Kit:
KIT 8042
KIT 8883 "LX/MX" Brakes

Use Brake Repair Kit:
KIT 8000HD 16-1/2" Brakes
KIT 8824HD or **R508824** 15" Brakes



NOTE: LH and RH indicates only the direction of cam rotation;
NOT which side of the vehicle the cam is used on.
(LH = Counterclockwise) (RH = Clockwise)

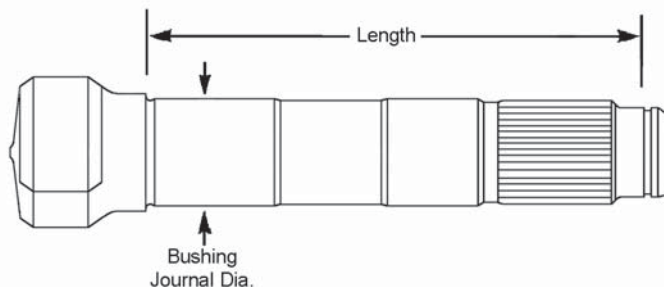
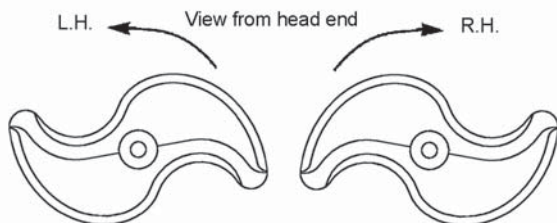
NOTE: All camshaft lengths are measured to the
beginning of the snap ring groove.

| PART NUMBER | HEAD END | EFFECTIVE LENGTH | BUSHING JOURNAL DIAMETER | REPLACES | APPLICATION INFORMATION |
|-------------|----------|------------------|--------------------------|--------------------------|----------------------------------|
| 2210-J-7784 | LH | 18-29/64" | 1-1/2" | E11603, HQ10334L, M3119L | |
| 2210-H-7782 | RH | 18-29/64" | 1-1/2" | E11602, HQ10335R, M3119R | |
| 2210-X-8396 | LH | 18-29/64" | 1-5/8" | E11643 | 16-1/2" brakes. LX/MX 500 Series |
| 2210-W-8395 | RH | 18-29/64" | 1-5/8" | E11642 | |
| 2210-N-7788 | LH | 18-19/32" | 1-1/2" | E11605 | 16-1/2" brakes. |
| 2210-M-7787 | RH | 18-19/32" | 1-1/2" | E11604 | |
| 2210-F-8404 | LH | 20-61/64" | 1-5/8" | E11645 | 16-1/2" brakes. LX/MX 500 Series |
| 2210-E-8403 | RH | 20-61/64" | 1-5/8" | E11644 | |

1-1/2"-28 SPLINE FOR TRUCKS AND TRACTORS WITH MERITOR Q Plus™ BRAKES WITH TRACLOK

Use Camshaft Repair Kit:
KIT 8033

Use Brake Repair Kit:
KIT 8847HDA



NOTE: LH and RH indicates only the direction of cam rotation;
NOT which side of the vehicle the cam is used on.
(LH = Counterclockwise) (RH = Clockwise)

NOTE: All camshaft lengths are measured to the
beginning of the snap ring groove.

| PART NUMBER | HEAD END | EFFECTIVE LENGTH | BUSHING JOURNAL DIAMETER | REPLACES | APPLICATION INFORMATION |
|-------------|----------|------------------|--------------------------|----------|--------------------------|
| 2210-E-8351 | LH | 9-5/16" | 1-1/2" | | 15" brakes. with TracLok |
| 2210-F-8352 | RH | 9-5/16" | 1-1/2" | | |
| 2210-G-8353 | LH | 10-13/64" | 1-1/2" | | |
| 2210-H-8354 | RH | 10-13/64" | 1-1/2" | | |

For slight variations in length, extra spacer washers may be required.
Q Plus™ cams can be used to replace the standard Q style cams; however, a Q style cam cannot be used to replace a Q Plus™ cam.

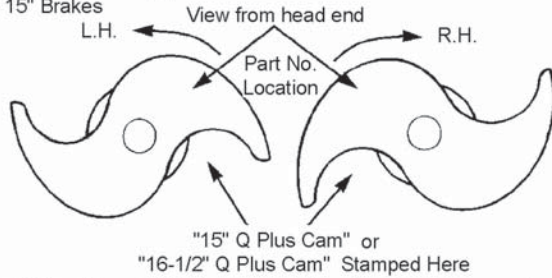
1-1/2" -28 SPLINE FOR TRAILER AXLES WITH MERITOR Q PLUS™ BRAKES

Use Camshaft Repair Kit:

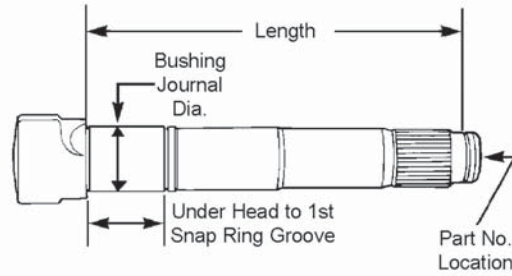
- KIT 8048 16-1/2" Brakes
- KIT 8058 (Press-In Bushings) 16-1/2" Brakes
- KIT 8078 (Bolt-On Bushings) 16-1/2" Brakes
- KIT 8883 15" Brakes

Use Brake Repair Kit:

- KIT 8000HD 16-1/2" Brakes
- KIT 8824HD 15" Brakes



NOTE: LH and RH indicates only the direction of cam rotation; NOT which side of the vehicle the cam is used on. (LH = Counterclockwise) (RH = Clockwise)



NOTE: All camshaft lengths are measured to the beginning of the snap ring groove.

| PART NUMBER | HEAD END | EFFECTIVE LENGTH | UNDER HEAD TO 1st SNAP RING GROOVE | BUSHING JOURNAL DIAMETER | REPLACES | APPLICATION INFORMATION |
|-------------|----------|------------------|------------------------------------|--------------------------|---|---|
| 2210-R-8156 | LH | 17-5/16" | 1-45/64" | 1-5/8" | 17627, 41504, 72437, C441L, E2441, E2441B, H10504L, HQ10364L, L1299, M990L | 16-1/2" Q Plus™, Q and P brakes. Cast spiders with press-in bushings. Fabricated spiders with weld-on bushings. |
| 2210-Q-8155 | RH | | 1-45/64" | 1-5/8" | 17626, 41505, 72438, C442R, E2442, E2442A, E2442B, H10505R, HQ10365R, L1298, M990R | |
| 2210-C-6867 | LH | 17-5/16" | 1-63/64" | 1-5/8" | CS41110, E5506, E9091, H10854L, HQ10350L, L1299, L3113, M3170L | 16-1/2" Q Plus™, Q and P Brakes. Fabricated spiders with bolt-on bushing (A-3105-L-1078). |
| 2210-B-6866 | RH | | 1-63/64" | 1-5/8" | CS41111, E5507, E9092, H10855R, HQ10351R, L3112, M3170R | |
| 2210-T-8158 | LH | 20-13/32" | 1-45/64" | 1-5/8" | 14427, 17629, 41526, 72439, C443R, E2443, E2443A, E2443B, H10526L, HQ10366L, L1477, M991L | 16-1/2" Q Plus™, Q and P brakes. Cast spiders with press-in bushings. Fabricated spiders with weld-on bushings. |
| 2210-S-8157 | RH | | 1-45/64" | 1-5/8" | 14793, 17628, 41527, 72440, C444R, E2444, E2444A, E2444B, H10527R, HQ10367R, L1476, M991R | |
| 2210-G-6871 | LH | 20-13/32" | 1-63/64" | 1-5/8" | CS41112, E5508, E9093, H10856L, HQ10352L, L1477, L3115, M3171L | 16-1/2" Q Plus™, Q and P Brakes. Fabricated spiders with bolt-on bushing (A-3105-L-1078). |
| 2210-F-6870 | RH | | 1-63/64" | 1-5/8" | E5509, E9094, L3114, M3171R | |
| 2210-B-7958 | LH | 23-3/8" | 1-63/64" | 1-5/8" | HQ10698L | 15" Q Plus™ brakes |
| 2210-C-7959 | RH | | 1-63/64" | 1-5/8" | HQ10699R | |

For slight variations in length, extra spacer washers may be required.

Q Plus™ cams can be used to replace the standard Q style cams; however, a Q style cam cannot be used to replace a Q Plus™ cam.

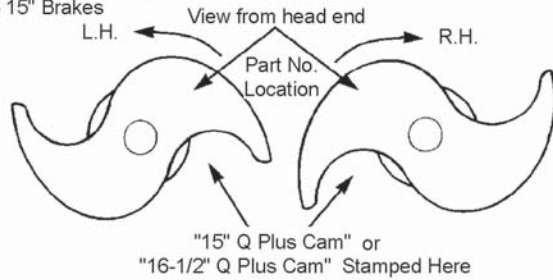
1-1/2" -28 SPLINE FOR TRAILER AXLES WITH MERITOR Q Plus™ BRAKES

Use Camshaft Repair Kit:

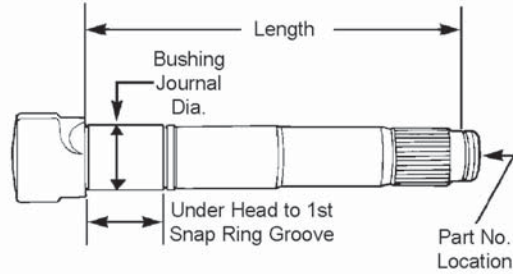
KIT 8048 16-1/2" Brakes
KIT 8058 (Press-In Bushings) 16-1/2" Brakes
KIT 8078 (Bolt-On Bushings) 16-1/2" Brakes
KIT 8883 15" Brakes

Use Brake Repair Kit:

KIT 8000HD 16-1/2" Brakes
KIT 8824HD 15" Brakes



NOTE: LH and RH indicates only the direction of cam rotation;
 NOT which side of the vehicle the cam is used on.
 (LH = Counterclockwise) (RH = Clockwise)



NOTE: All camshaft lengths are measured to the beginning of the snap ring groove.

| PART NUMBER | HEAD END | EFFECTIVE LENGTH | UNDER HEAD TO 1st SNAP RING GROOVE | BUSHING JOURNAL DIAMETER | REPLACES | APPLICATION INFORMATION |
|--------------------|----------|------------------|------------------------------------|--------------------------|---|---|
| 2210-V-8160 | LH | 24-1/16" | 1-45/64" | 1-5/8" | 15158, 17631, 41758, 72441, C445L, E2445, E2445A, E2445B, H10758L, HQ10368L, L1658, M992L | 16-1/2" Q Plus™, Q and P brakes. Cast spiders with press-in bushings. Fabricated spiders with weld-on bushings. |
| | | | | | 17630, 41759, 72442, C446R, E2446, E2446A, E2446B, H10759R, HQ10369R, L1657, M992R | |
| 2210-U-8159 | RH | | | | | |
| 2210-E-6869 | LH | 24-1/16" | 1-63/64" | 1-5/8" | 40932422, CS41114, E5510, E6081, H10858L, HQ10354L, L3117, M3172L | 16-1/2" Q Plus™, Q and P Brakes. Fabricated spiders with bolt-on bushing (A-3105-L-1078). |
| 2210-D-6868 | RH | | | | CS41115, E3116, E5511, E6082, H10859R, HQ10355R, L3116, M3172R | |

For slight variations in length, extra spacer washers may be required.

Q Plus™ cams can be used to replace the standard Q style cams; however, a Q style cam cannot be used to replace a Q Plus™ cam.

TRAILER CAM AND BUSHING KIT APPLICATION GUIDE

Camshafts Used with All Trailer Axle Kits

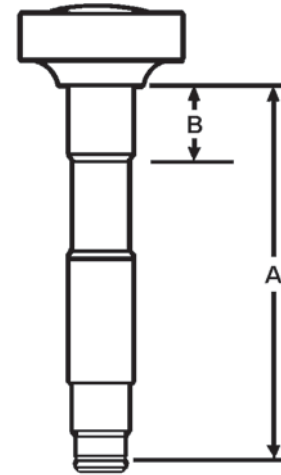
Except KIT 1760 or KIT 8289



Do not install any of the camshafts listed in Figure 1 if you are using KIT 1760 or KIT 8289. The bearing journals on these camshafts ("B") are too narrow to be used with the bushing retainer (A-3105-L-1078) in these kits.

Figure 1

| Spline Size | Effective Length "A" | Bearing Journal Length "B" | Camshaft Part Number | Meritor Cam Brake Model | Position |
|-------------|----------------------|----------------------------|----------------------|-------------------------|----------|
| 1-1/2"-28 | 17-5/16" | 1-61/64" | 2210-Q-8155 | P, Q, Q Plus™ | RH |
| | | | 2210-R-8156 | | LH |
| 1-1/2"-10 | 20-13/32" | 1-29/32" | R607069 | Q Plus™ | RH |
| | | | R607070 | | LH |
| 1-1/2"-28 | 20-13/32" | 1-61/64" | 2210-S-8157 | P, Q, Q Plus™ | RH |
| | | | 2210-T-8158 | | LH |
| 1-1/2"-10 | 24-1/16" | 1-29/32" | R607067 | Q Plus™ | RH |
| | | | R607068 | | LH |
| 1-1/2"-28 | 24-1/16" | 1-61/64" | 2210-U-8159 | P, Q, Q Plus™ | RH |
| | | | 2210-V-8160 | | LH |

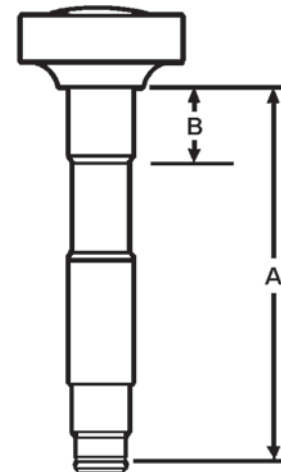


Camshafts Used with ALL Trailer Axle Kits

The camshafts in Figure 2 can be used with all trailer axle camshaft kits. The camshafts have a 2-1/4" heat-treated bearing journal.

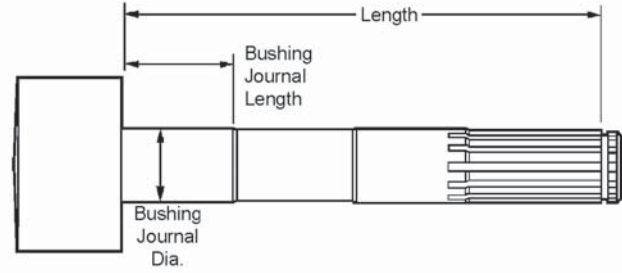
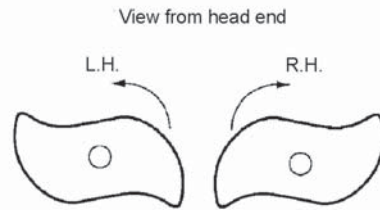
Figure 2

| Spline Size | Effective Length "A" | Bearing Journal Length "B" | Camshaft Part Number | Meritor Cam Brake Model | Position |
|-------------|----------------------|----------------------------|----------------------|-------------------------|----------|
| | 17-5/16" | | 2210-B-6866 | P, Q, Q Plus™ | RH |
| | | | 2210-C-6867 | | LH |
| 1-1/2"-28 | 20-13/32" | 2-1/4" | 2210-F-6870 | P, Q, Q Plus™ | RH |
| | | | 2210-G-6871 | | LH |
| | 24-1/16" | | 2210-D-6868 | P, Q, Q Plus™ | RH |
| | | | 2210-E-6869 | | LH |



1-1/4" -10 SPLINE FOR EATON STEERING AXLES WITH 15" SINGLE ANCHOR PIN BRAKES

Use Camshaft Repair Kit: **R615013**
Use Brake Repair Kit: **R507004**



NOTE: LH and RH indicates only the direction of cam rotation;
NOT which side of the vehicle the cam is used on.
(LH = Counterclockwise) (RH = Clockwise)

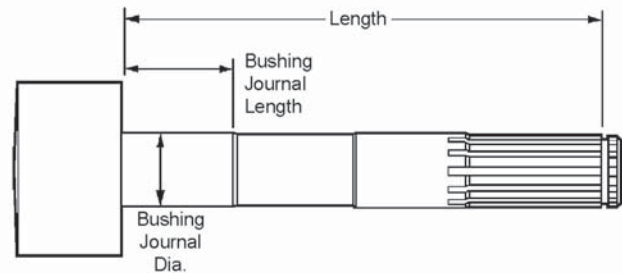
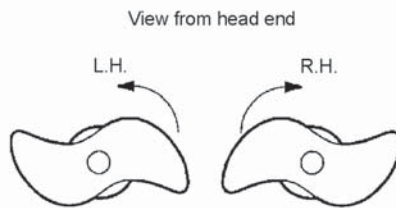
NOTE: All camshaft lengths are measured to the
beginning of the snap ring groove.

| PART NUMBER | HEAD END | EFFECTIVE LENGTH | BUSHING JOURNAL LENGTH | BUSHING JOURNAL DIAMETER | REPLACES |
|----------------|----------|------------------|------------------------|--------------------------|------------------------------------|
| R607141 | LH | 8-3/16" | 1-7/8" | 1-1/4" | 1006948, E5064, EB1006948, H10604L |
| R607142 | RH | 8-3/16" | 1-7/8" | 1-1/4" | 1006949, E5065, EB1006949, H10605R |
| R607133 | LH | 8-9/16" | 1-7/8" | 1-1/4" | 1006730, E5060, EB1006730, H10606L |
| R607134 | RH | 8-9/16" | 1-7/8" | 1-1/4" | 1006731, E5061, EB1006731, H10607R |
| R607137 | LH | 9-3/16" | 1-7/8" | 1-1/4" | 1006866, 73706, E5131, H10610L |
| R607138 | RH | 9-3/16" | 1-7/8" | 1-1/4" | 1006867, 73707, E5132, H10611R |
| R607135 | LH | 10-29/32" | 1-7/8" | 1-1/4" | 1006864, E5062, EB1006864, H10616L |
| R607136 | RH | 10-29/32" | 1-7/8" | 1-1/4" | 1006865, E5063, EB1006865, H10617R |

7

1-1/4" -10 SPLINE FOR EATON STEERING AXLES WITH 15" "ES" "EXTENDED SERVICE" BRAKES

Use Camshaft Repair Kit: **R615013**
Use Brake Repair Kit: **R507004**



NOTE: LH and RH indicates only the direction of cam rotation;
NOT which side of the vehicle the cam is used on.
(LH = Counterclockwise) (RH = Clockwise)

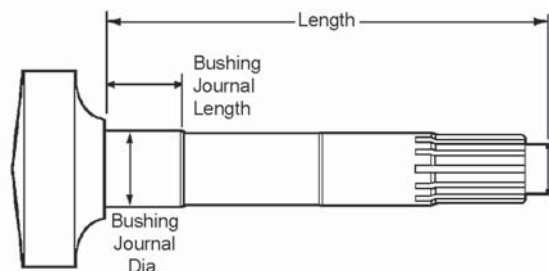
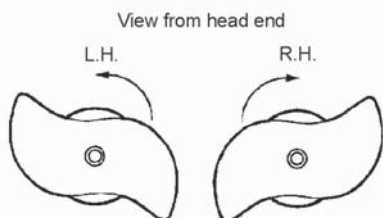
NOTE: All camshaft lengths are measured to the
beginning of the snap ring groove.

| PART NUMBER | HEAD END | EFFECTIVE LENGTH | BUSHING JOURNAL LENGTH | BUSHING JOURNAL DIAMETER | REPLACES |
|----------------|----------|------------------|------------------------|--------------------------|--------------------------------------|
| R607117 | LH | 9-3/16" | 1-7/8" | 1-1/4" | 813480, E9030, H10832L, L3192, L3195 |
| R607118 | RH | 9-3/16" | 1-7/8" | 1-1/4" | 813481, E9031, H10833R, L3194, L3195 |
| R607119 | LH | 9-9/16" | 1-7/8" | 1-1/4" | 813482, E9032, H10834L, L3193, L3248 |
| R607120 | RH | 9-9/16" | 1-7/8" | 1-1/4" | 813483, E9033, H10835R, L3192, L3193 |
| R607124 | RH | 9-25/32" | 1-7/8" | 1-1/4" | 813495, E9035, H10837R, L3248, L3249 |

1-1/2" -10 SPLINE FOR EATON DRIVE AXLES WITH 16-1/2" AND 18" BRAKES

Use Camshaft Repair Kit: **R615002**

Use Brake Repair Kit: **R507002**



NOTE: LH and RH indicates only the direction of cam rotation;
NOT which side of the vehicle the cam is used on.
(LH = Counterclockwise) (RH = Clockwise)

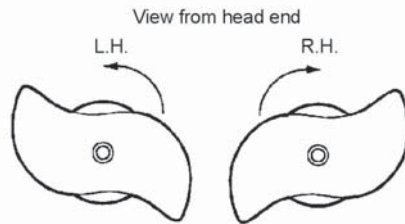
NOTE: All camshaft lengths are measured to the
beginning of the snap ring groove.

| PART NUMBER | HEAD END | EFFECTIVE LENGTH | BUSHING JOURNAL LENGTH | BUSHING JOURNAL DIAMETER | REPLACES |
|----------------|----------|------------------|------------------------|--------------------------|--|
| R607036 | LH | 8-19/32" | 1-21/32" | 1-1/2" | 1000087, 18727, 41026, 72390, C799R, C800L, E2800, E2800LH, H10026L, L1632, M2615L |
| R607035 | RH | | | | 1000088, 18726, 41027, 72389, C790L, C799L, E2799, E2799RH, H10027R, L1631, M2615R |
| R607147 | LH | 10-13/64" | 1-21/32" | 1-1/2" | 40547, 808078, 818426, E9763, H10028L, L2489, L3497 |
| R607148 | RH | | | | 40548, 808077, E9764, H10029R, L2488, L3496 |
| R607018 | LH | 10-9/32" | 1-21/32" | 1-1/2" | 41010, 820102, 820103, B17351, E1789, E1789LH, EB820108, H10010L, L1073, M778L |
| R607017 | RH | | | | 41011, 820108, B17352, E1788, E1788RH, EB820102, H10011R, L1072, M778R |
| R607261 | LH | 10-1/2" | | 1-1/2" | 35247, 70308, H10032L, L2487, M3176L |
| R607262 | RH | | | | 35612, 70309, H10033R, L2486, M3176R |
| R607149 | LH | 11-5/32" | 1-21/32" | 1-1/2" | 45530, 76293, E9765, H10030L, L2485 |
| R607150 | RH | | | | 45531, 76294, E9766, H10031R, L2484 |
| R607016 | LH | 11-33/64" | 1-21/32" | 1-1/2" | 18739, 41760, 70306, 72396, C776L, E1776, E1776LH, H10760L, L1203, M1571L |
| R607015 | RH | | | | 18738, 41761, 70307, 72395, C775R, E1775, E1775RH, H10761R, L1202, M1571R |
| R607030 | LH | 12-29/64" | 1-21/32" | 1-1/2" | 18741, 41042, 71306, 72400, E2787, E2787LH, H10042L, L1620, M2616L |
| R607029 | RH | | | | 18740, 41043, 71307, 72399, E2786, E2786RH, H10043R, L1619, M2616R |

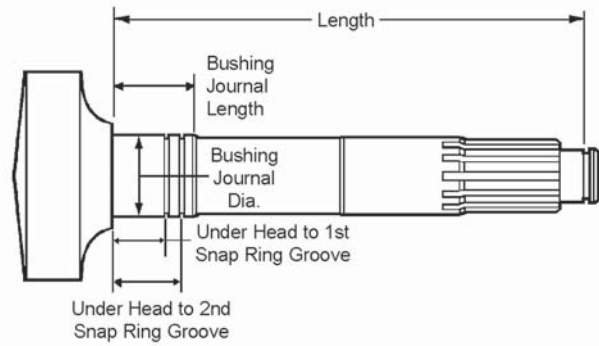
1-1/2" -10 SPLINE FOR EATON DRIVE AXLES WITH 16-1/2" AND 18" BRAKES - DOUBLE GROOVE

Use Camshaft Repair Kit: **R615002**

Use Brake Repair Kit: **R507002**



NOTE: LH and RH indicates only the direction of cam rotation; NOT which side of the vehicle the cam is used on. (LH = Counterclockwise) (RH = Clockwise)



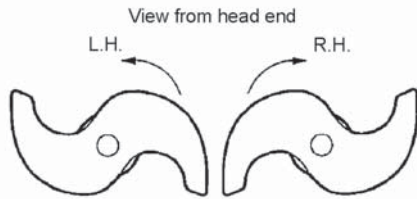
NOTE: All camshaft lengths are measured to the beginning of the snap ring groove.

| PART NUMBER | HEAD END | EFFECTIVE LENGTH | UNDER HEAD TO 1st SNAP RING GROOVE | UNDER HEAD TO 2nd SNAP RING GROOVE | BUSHING JOURNAL LENGTH | BUSHING JOURNAL DIAMETER | REPLACES |
|----------------|----------|------------------|------------------------------------|------------------------------------|------------------------|--------------------------|--|
| R607049 | LH | 13-15/32" | 2-7/32" | 3-19/32" | 3-3/4" | 1-1/2" | 18743, 35455, 41048, 73694, E4740, E4740LH, L229, M1563L |
| R607050 | RH | | | | | | 18742, 35456, 73695, E4741, E4741RH, L228, M1563R |
| R607038 | LH | 14-9/32" | 2-7/32" | 3-19/32" | 3-3/4" | 1-1/2" | 1001580, 18747, E3523, E3524, E3524RH, EB1001580, L228, L229, L2480, L2481, M2617L, SB1702 |
| R607037 | RH | | | | | | 1001581, 18746, E3523, E3523LH, E3524, EB1001581, L228, L229, L2480, L2481, M2617R, SB1702 |
| R607103 | LH | 15-1/32" | 2-7/32" | 3-19/32" | 3-3/4" | 1-1/2" | 35430, E9055, L3145 |
| R607104 | RH | | | | | | 35431, E9056, L3144 |

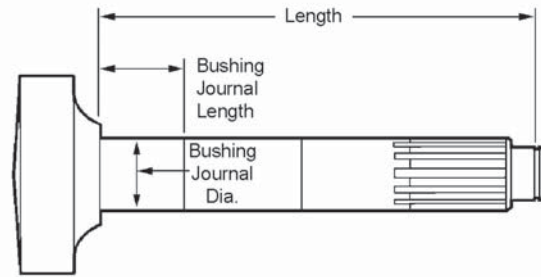
1-1/2" -10 EATON DRIVE AXLES WITH 16-1/2" "ES" EXTENDED SERVICE AND 15" "REDUCED ENVELOPE" BRAKES

Use Camshaft Repair Kit: **R615021**

Use Brake Repair Kit: **R507057** "ES-I"
R507064 "ES-II" Drive Axle
R507094 "ES-II" Steer Axle



NOTE: LH and RH indicates only the direction of cam rotation; NOT which side of the vehicle the cam is used on. (LH = Counterclockwise) (RH = Clockwise)



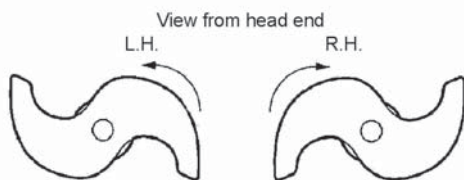
NOTE: All camshaft lengths are measured to the beginning of the snap ring groove.

| PART NUMBER | HEAD END | EFFECTIVE LENGTH | BUSHING JOURNAL LENGTH | BUSHING JOURNAL DIAMETER | REPLACES |
|----------------|----------|------------------|------------------------|--------------------------|--|
| R607111 | LH | 8-21/32" | 1-23/32" | 1-1/2" | 7808708, E5490, H10214L, L2971, M3129L |
| R607112 | RH | | | | 7808709, E5491, H10215R, L2970, M3129R |
| R607151 | LH | 10-9/16" | 1-23/32" | 1-1/2" | 807858, 808072, E9767, H10216L, L3077 |
| R607152 | RH | | | | 807859, 808073, E9768, H10217R, L3076 |
| R607105 | LH | 11-9/16" | 1-23/32" | 1-1/2" | 7806526, E5492, H10218L, L2975, M3128L |
| R607106 | RH | | | | 7806527, E5493, H10219R, L2974, M3128R |
| R607153 | LH | 12-17/32" | 1-23/32" | 1-1/2" | 808290, E9769, H10220L, L2977, M3127L |
| R607154 | RH | | | | 808291, E9770, H10221R, L2976, M3127R |
| R607279 | LH | 13-15/32" | | 1-1/2" | 808068, E10911, H10430L, L3079 |
| R607280 | RH | | | | 808069, E10912, H10431R, L3078 |
| R607155 | LH | 14-11/32" | 1-23/32" | 1-1/2" | 807862, E9771, H10222L, L3079, L3295, M3126L |
| R607156 | RH | | | | 807863, E9772, H10223R, L3078, L3294, M3126R |
| R607281 | LH | 15-1/16" | | 1-1/2" | 808064, E10913, H10498L, L3300 |
| R607282 | RH | | | | 808065, E10914, H10499R, L3301 |
| R607283 | LH | 15-1/4" | | 1-1/2" | 811406, E10915, H10500L, L3401 |
| R607284 | RH | | | | 811407, E10916, H10501R, L3400 |

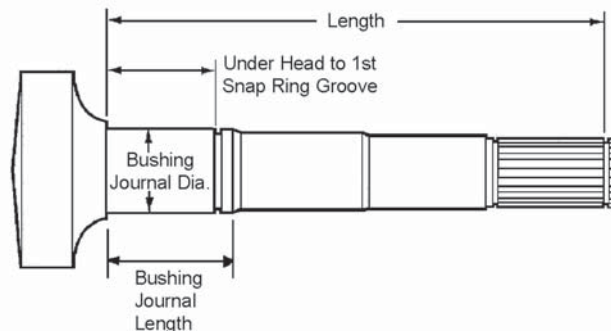
1-1/2" -10 EATON TRAILER AXLES WITH 16-1/2" "ES" "EXTENDED SERVICE" BRAKES

Use Camshaft Repair Kit: **R615004**

Use Brake Repair Kit: **R507057 "ES-I"**
R507064 "ES-II"



NOTE: LH and RH indicates only the direction of cam rotation;
NOT which side of the vehicle the cam is used on.
(LH = Counterclockwise) (RH = Clockwise)



NOTE: All camshaft lengths are measured to the beginning of the snap ring groove.

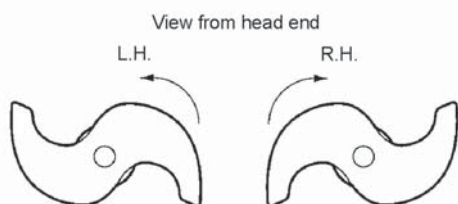
| PART NUMBER | HEAD END | EFFECTIVE LENGTH | UNDER HEAD TO 1st SNAP RING GROOVE | BUSHING JOURNAL LENGTH | BUSHING JOURNAL DIAMETER | REPLACES |
|----------------|----------|------------------|------------------------------------|------------------------|--------------------------|--------------------------------|
| R607109 | LH | 19-1/2" | 2-7/32" | 2-9/16" | 1-5/8" | 808078, E5494, H10228L, L2967 |
| R607110 | RH | | | | | 808079, E5495, H10229R, L2966 |
| R607107 | LH | 23-3/4" | 2-7/32" | 2-9/16" | 1-5/8" | 7806654, E5496, H10230L, L2969 |
| R607108 | RH | | | | | 7806655, E5497, H10231R, L2968 |

7

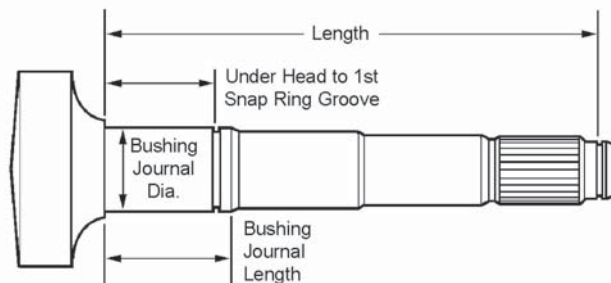
1-1/2" -28 SPLINE FOR EATON TRAILER AXLES WITH 16-1/2" "ES" "EXTENDED SERVICE" BRAKES

Use Camshaft Repair Kit: **R615004**

Use Brake Repair Kit: **R507057 "ES-I"**
R507064 "ES-II"



NOTE: LH and RH indicates only the direction of cam rotation;
NOT which side of the vehicle the cam is used on.
(LH = Counterclockwise) (RH = Clockwise)



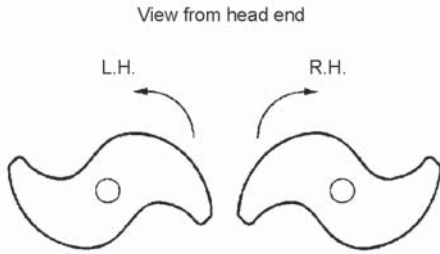
NOTE: All camshaft lengths are measured to the beginning of the snap ring groove.

| PART NUMBER | HEAD END | EFFECTIVE LENGTH | UNDER HEAD TO 1st SNAP RING GROOVE | BUSHING JOURNAL LENGTH | BUSHING JOURNAL DIAMETER | REPLACES |
|----------------|----------|------------------|------------------------------------|------------------------|--------------------------|--|
| R607115 | LH | 19-1/2" | 2-7/32" | 2-9/16" | 1-5/8" | 7810538, 825424, E9057, H10224L, L3201, M3130L |
| R607116 | RH | | | | | 7810539, E9058, H10225R, L3200, M3130R |
| R607113 | LH | 23-3/4" | 2-7/32" | 2-9/16" | 1-5/8" | 810025, 825422, E9059, H10226L, L3203, M3131L |
| R607114 | RH | | | | | 810026, E9060, H10227R, L3202, M3131R |

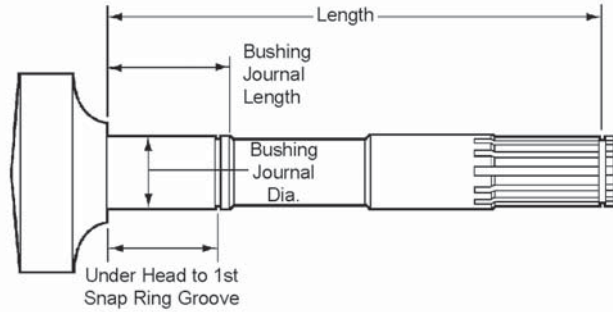
1-1/2”-10 SPLINE FOR EATON TRAILER AXLES WITH “501” SERIES WITH 16-1/2” BRAKES

Use Camshaft Repair Kit: **R615004**

Use Brake Repair Kit: **R507002**



NOTE: LH and RH indicates only the direction of cam rotation;
NOT which side of the vehicle the cam is used on.
(LH = Counterclockwise) (RH = Clockwise)



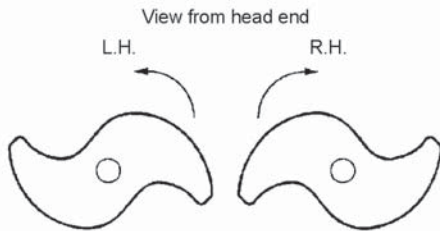
NOTE: All camshaft lengths are measured to the beginning of the snap ring groove.

| PART NUMBER | HEAD END | EFFECTIVE LENGTH | UNDER HEAD TO 1st SNAP RING GROOVE | BUSHING JOURNAL LENGTH | BUSHING JOURNAL DIAMETER | REPLACES |
|----------------|----------|------------------|------------------------------------|------------------------|--------------------------|--|
| R607026 | LH | 19-1/2" | 2-7/32" | 2-13/16" | 1-5/8" | 125034, 17635, 41293, 72408, 807286, C694R, E2693, E2694, H10292L, L1618, M2600L |
| R607025 | RH | | | | | 125035, 17634, 41292, 72407, 807286, 807287, C693L, E2693, E2694, H10293R, L1617, M2600R, M3143R |
| R607046 | LH | 23-3/4" | 2-13/64" | 2-9/16" | 1-5/8" | 125030, 17637, 41544, 807304, C721L, E4721, E4721LH, EB125030, H10544L, L2467, M2604L |
| R607045 | RH | | | | | 125031, 17636, 41545, 807305, C720R, E4720, E4720RH, EB125031, H10545R, L2466, M2604R, M3144R |

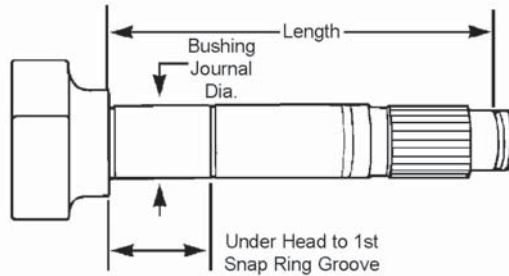
1-1/2”-28 SPLINE FOR EATON TRAILER AXLES WITH “501” SERIES WITH 16-1/2” BRAKES

Use Camshaft Repair Kit: **R615004**

Use Brake Repair Kit: **R507002**



NOTE: LH and RH indicates only the direction of cam rotation;
NOT which side of the vehicle the cam is used on.
(LH = Counterclockwise) (RH = Clockwise)

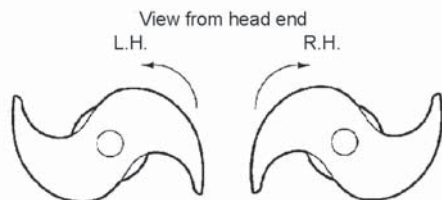


NOTE: All camshaft lengths are measured to the beginning of the snap ring groove.

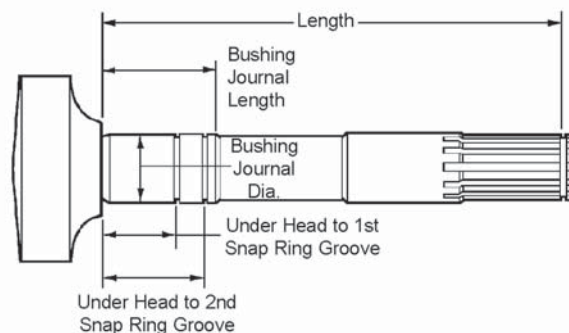
| PART NUMBER | HEAD END | EFFECTIVE LENGTH | UNDER HEAD TO 1st SNAP RING GROOVE | BUSHING JOURNAL DIAMETER | REPLACES |
|----------------|----------|------------------|------------------------------------|--------------------------|--|
| R607048 | LH | 20-7/32" | 2-5/32" | 1-5/8" | 125042, 17639, 41548, E4723, E4723LH, H10548L, L3027, M3174L |
| R607047 | RH | | | | 125043, 17638, 41549, E4722, E4722RH, H10549R, L3026, M3174R |

1-1/2" -10 SPLINE FOR EATON-SHULER TRAILER AXLES WITH 12-1/4" BRAKES

Use Camshaft Repair Kit: **R615000**
Use Brake Repair Kit: **R507000**



NOTE: LH and RH indicates only the direction of cam rotation;
NOT which side of the vehicle the cam is used on.
(LH = Counterclockwise) (RH = Clockwise)

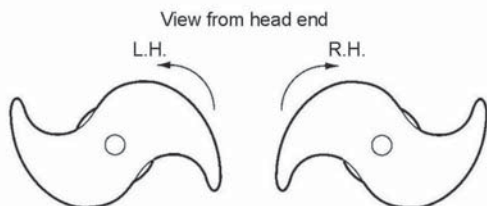


NOTE: All camshaft lengths are measured to the beginning of the snap ring groove.

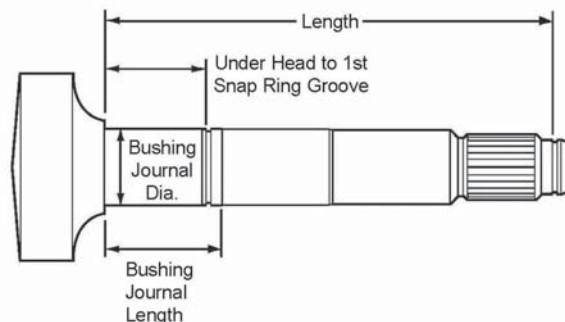
| PART NUMBER | HEAD END | EFFECTIVE LENGTH | UNDER HEAD TO 1st SNAP RING GROOVE | UNDER HEAD TO 2ND SNAP RING GROOVE | BUSHING JOURNAL LENGTH | BUSHING JOURNAL DIAMETER | REPLACES |
|----------------|----------|------------------|------------------------------------|------------------------------------|------------------------|--------------------------|--|
| R607003 | RH | 20-5/16" | 1-11/32" | 2-7/32" | 3" | 1-1/2" | 17683, 72410, 820250, B20603, B206037, B24604, B246086, E1394, E1394LH, L900, M776L |
| R607024 | LH | 22-5/16" | 1-11/32" | 2-7/32" | 3" | 1-1/2" | 17699, 41714, 72422, 820243, 822157, B206023, B206055, B246022, B246055, E2493, E2493LH, L1385, M3143L, M496L, M497L |
| R607023 | RH | | | | | | 17698, 41715, 72421, 820244, 822158, B206024, B206056, B246056, E2492, E2492RH, L1384, M496R |

1-19/32" -28 SPLINE FOR FRUEHAUF Pro-Par® TRAILER AXLES WITH 16-1/2" BRAKES

Use Camshaft Repair Kit: **R615005**
R615006 (Old Style)
Use Brake Repair Kit: **R507007** or **R507010**



NOTE: LH and RH indicates only the direction of cam rotation;
NOT which side of the vehicle the cam is used on.
(LH = Counterclockwise) (RH = Clockwise)

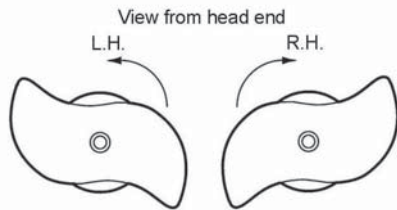


NOTE: All camshaft lengths are measured to the beginning of the snap ring groove.

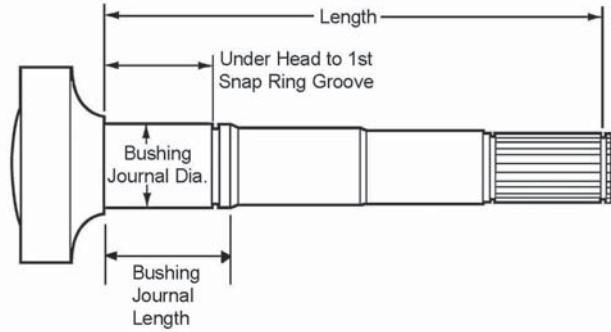
| PART NUMBER | HEAD END | EFFECTIVE LENGTH | UNDER HEAD TO 1st SNAP RING GROOVE | BUSHING JOURNAL LENGTH | BUSHING JOURNAL DIAMETER | REPLACES |
|----------------|----------|------------------|------------------------------------|------------------------|--------------------------|-----------------------|
| R607163 | LH | 16-1/8" | 2-5/32" | 2-1/2" | 1-5/8" | E9761, H10818L, L3315 |
| R607164 | RH | | | | | E9762, H10819R, L3314 |

1-19/32" -37 SPLINE FOR FRUEHAUF Pro-Par® TRAILER AXLES WITH 16-1/2" BRAKES

Use Camshaft Repair Kit: **R615005**
R615006 (Old Style)
Use Brake Repair Kit: **R507007** or **R507010**



NOTE: LH and RH indicates only the direction of cam rotation;
NOT which side of the vehicle the cam is used on.
(LH = Counterclockwise) (RH = Clockwise)

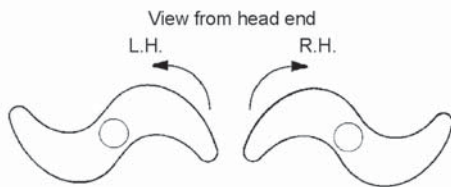


NOTE: All camshaft lengths are measured to the beginning of the snap ring groove.

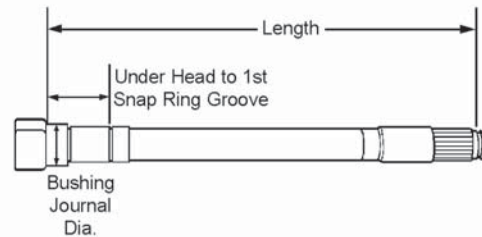
| PART NUMBER | HEAD END | EFFECTIVE LENGTH | UNDER HEAD TO 1st SNAP RING GROOVE | BUSHING JOURNAL LENGTH | BUSHING JOURNAL DIAMETER | REPLACES |
|----------------|----------|------------------|------------------------------------|------------------------|--------------------------|---|
| R607011 | LH | 16-1/8" | 2-5/32" | 2-1/2" | 1-5/8" | 17621, 41528, 72443, C563L, E1563, E1563LH, H10528L, L838, M563L |
| R607012 | RH | | | | | 17620, 41529, 72444, C564R, E1564, E1564RH, H10529R, L839, M563R |
| R607020 | LH | 21-1/8" | 2-5/32" | 2-1/2" | 1-5/8" | 17623, 41512, 72448, E2099, E2099LH, H10513R, L1024, M566L |
| R607019 | RH | | | | | 17622, 41513, 72447, C100R, E2100, E2100RH, H10512L, L1023, M566R |
| R607162 | LH | 23-7/8" | 2-5/32" | 2-1/2" | 1-5/8" | E3861, H10812L, L3319, M3180L |
| R607161 | RH | | | | | E3862, H10813R, L3318, L3319, M3180R |

1-5/8" -37 SPLINE FOR FRUEHAUF Pro-Par® TRAILER AXLES WITH 12-1/4" BRAKES

Use Camshaft Repair Kit: **R615005**
R615006 (Old Style)
Use Brake Repair Kit: **R507005**



NOTE: LH and RH indicates only the direction of cam rotation;
NOT which side of the vehicle the cam is used on.
(LH = Counterclockwise) (RH = Clockwise)

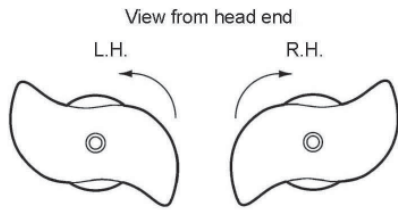


NOTE: All camshaft lengths are measured to the beginning of the snap ring groove.

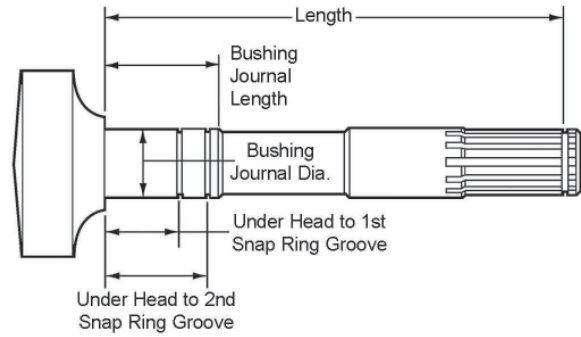
| PART NUMBER | HEAD END | EFFECTIVE LENGTH | UNDER HEAD TO 1st SNAP RING GROOVE | BUSHING JOURNAL DIAMETER | REPLACES |
|----------------|----------|------------------|------------------------------------|--------------------------|--|
| R607263 | LH | 21-3/16" | 2-5/32" | 1-5/8" | 616973, E4090, H10814L, L2380, M3185L, R454090 |
| R607264 | RH | | | | E4891, H10815R, L2379, M3185R |

1-1/2"-10 SPLINE FOR SPICER - STANDARD FORGE TRAILER AXLES WITH 12-1/4" BRAKES

Use Camshaft Repair Kit: **R615010** (Nylon Spider Bushing)
R615014 (Bronze Spider Bushing)



NOTE: LH and RH indicates only the direction of cam rotation;
 NOT which side of the vehicle the cam is used on.
 (LH = Counterclockwise) (RH = Clockwise)

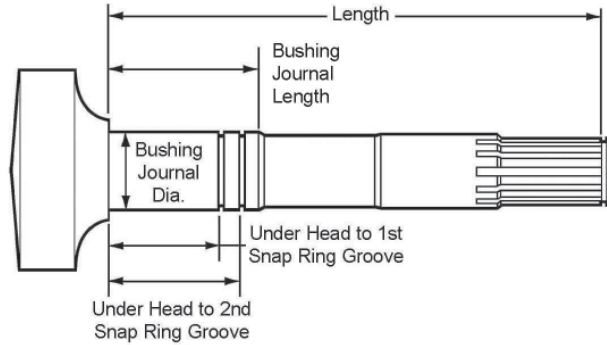
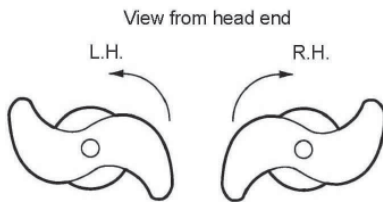


NOTE: All camshaft lengths are measured to the beginning of the snap ring groove.

| PART NUMBER | HEAD END | EFFECTIVE LENGTH | UNDER HEAD TO 1st SNAP RING GROOVE | UNDER HEAD TO 2ND SNAP RING GROOVE | BUSHING JOURNAL LENGTH | BUSHING JOURNAL DIAMETER | REPLACES |
|----------------|----------|------------------|------------------------------------|------------------------------------|------------------------|--------------------------|--|
| R607239 | LH | 18-7/8" | 2-7/32" | 2-21/32" | 3" | 1-1/2" | 202103191L, E9743, L2469, M12WK10111, M12WK1071 |
| R607006 | LH | 21-1/8" | 2-7/32" | 2-21/32" | 3" | 1-1/2" | 11594, 17685, 202103213L, 202103213LH, 41762, 72420, C411L, E1411, E1411LH, L1075, M12WK1076, M477L, UB2264L |
| R607005 | RH | | | | | | 11593, 17684, 202103213R, 202103213RH, 41763, 72419, C410R, E1410, E1410RH, L1074, M12WK1066, M477R, UB2264R |
| R607241 | LH | 22" | 2-7/32" | 2-21/32" | 3" | 1-1/2" | 202103222L, E9745, L2473, M12WK10116, M12WK1077 |
| R607242 | RH | | | | | | 202103222R, E9746, L2472, M12WK10016 |
| R607010 | LH | 23-1/4" | 2-7/32" | 2-21/32" | 3" | 1-1/2" | 17691, 202103233L, 202103233LH, 41718, 72424, C101L, C423L, E1423, E1423LH, L734, M12WK10117, M12WK10710, M478L, UB2415L |
| R607007 | RH | 23-7/8" | | | | | 17694, 202103241R, 202103241RH, 41723, 72427, C420R, E1420, E1420RH, L735, M12WK10019, M12WK10611, M479R, UB2223R |
| R607168 | RH | 24-5/8" | 2-7/32" | 2-21/32" | 3" | 1-1/2" | 202103247R, E2792, M12WK10018, M2603R |
| R607243 | LH | 26-1/2" | 2-7/32" | 2-21/32" | 3" | 1-1/2" | E9747, L2477, M12WK10122, M12WK10713 |
| R607244 | RH | | | | | | E9748, L2476, M12WK10022, M12WK10613 |

1-1/2" -10 SPLINE FOR SPICER TRAILER AXLES WITH 12-1/4" BRAKES "HIGH-LIFT"

Use Camshaft Repair Kit: **R615010** (Nylon Spider Bushing)
R615014 (Bronze Spider Bushing)



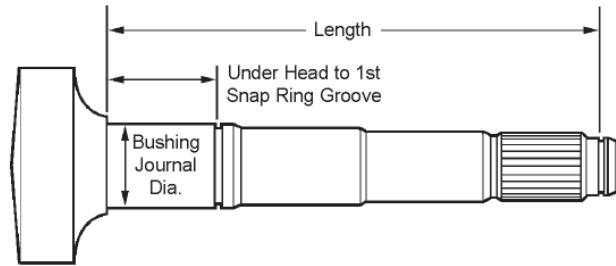
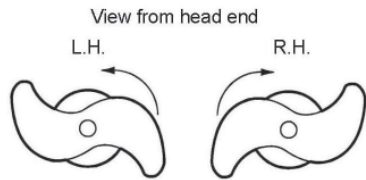
NOTE: LH and RH indicates only the direction of cam rotation;
NOT which side of the vehicle the cam is used on.
(LH = Counterclockwise) (RH = Clockwise)

NOTE: All camshaft lengths are measured to the
beginning of the snap ring groove.

| PART NUMBER | HEAD END | EFFECTIVE LENGTH | UNDER HEAD TO 1st SNAP RING GROOVE | UNDER HEAD TO 2ND SNAP RING GROOVE | BUSHING JOURNAL LENGTH | BUSHING JOURNAL DIAMETER | REPLACES |
|-------------|----------|------------------|------------------------------------|------------------------------------|------------------------|--------------------------|--|
| R607202 | RH | 16-1/8" | 2-7/32" | 2-21/32" | 3" | 1-1/2" | E9264, L3302, M12WKR10163 |
| R607266 | RH | 18" | 2-7/32" | 2-21/32" | 3" | 1-1/2" | E9749, H10454L, M12WKL10182 |
| R607203 | LH | 18-7/8" | 2-7/32" | 2-21/32" | 3" | 1-1/2" | E9265, L2920, L3141, M12WKL10191 |
| R607204 | RH | | | | | | E9266, L2919, L3140, M12WKR10191 |
| R607205 | LH | 20-1/2" | 2-7/32" | 2-21/32" | 3" | 1-1/2" | E9267, L2903, L3137, M12WKL10206 |
| R607206 | RH | | | | | | E9268, L2902, L3136, M12WKR10206 |
| R607207 | LH | 21-1/4" | 2-7/32" | 2-21/32" | 3" | 1-1/2" | E9269, H10460L, L2915, L3133, M12WKL10214 |
| R607209 | LH | 22" | 2-7/32" | 2-21/32" | 3" | 1-1/2" | E9271, L2905, L3139, M12WKL10222 |
| R607210 | RH | | | | | | E9272, L2904, L3138, M12WKR10222 |
| R607211 | LH | 23-1/8" | 2-7/32" | 2-21/32" | 3" | 1-1/2" | E9273, H10464L, L2909, L3131, M12WKL10233, M12WR10233 |
| R607212 | RH | | | | | | E9274, H10465R, L2908, L3130, M12WKR10233, M12WL10233 |
| R607213 | LH | 23-1/2" | 2-7/32" | 2-21/32" | 3" | 1-1/2" | E9275, L3305, M12WKL10236 |
| R607214 | RH | | | | | | E9276, L3304, M12WKR10236 |
| R607215 | LH | 23-7/8" | 2-7/32" | 2-21/32" | 3" | 1-1/2" | E9277, L2911, L3135, M12WKL10241 |
| R607216 | RH | | | | | | E9278, L2910, L3134, M12WKR10241 |
| R607218 | RH | 26-1/4" | 2-7/32" | 2-21/32" | 3" | 1-1/2" | E9280, L2912, L3142, M12WKR10264 |

1-1/2”-28 SPLINE FOR SPICER TRAILER AXLES WITH 12-1/4” BRAKES “HIGH-LIFT” - SINGLE GROOVE

Use Camshaft Repair Kit: **R615019**



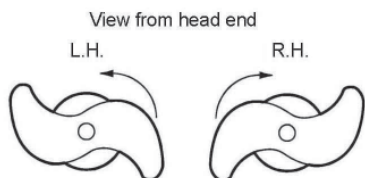
NOTE: LH and RH indicates only the direction of cam rotation;
NOT which side of the vehicle the cam is used on.
(LH = Counterclockwise) (RH = Clockwise)

NOTE: All camshaft lengths are measured to the
beginning of the snap ring groove.

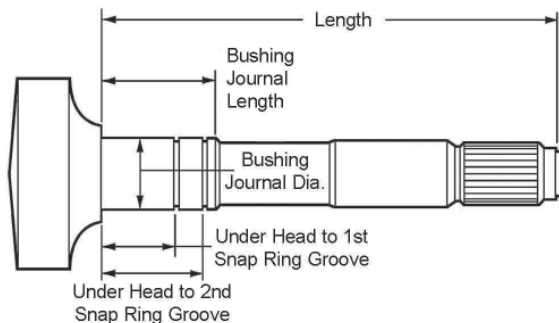
| PART NUMBER | HEAD END | EFFECTIVE LENGTH | UNDER HEAD TO 1st SNAP RING GROOVE | BUSHING JOURNAL DIAMETER | REPLACES |
|----------------|----------|------------------|------------------------------------|--------------------------|---|
| R607269 | LH | 20-9/16" | 2-7/32" | 1-5/8" | 17403, E10901, H10878L, L3269, M12WKL25206 |
| R607270 | RH | | | | 17402, E10902, H10879R, L3268, M12WKR25206 |
| R607271 | LH | 21-5/16" | 2-7/32" | 1-5/8" | 17415, E10903, H10882L, L3273, M12WKL25214 |
| R607272 | RH | | | | 17414, E10904, H10883R, L3272, M12WKR25214 |
| R607273 | LH | 23-3/16" | 2-7/32" | 1-5/8" | 17417, E10905, H10886L, L3277, L3555, M12WKL25233 |
| R607274 | RH | | | | 17416, E10906, H10887R, L3276, L3554, M12WKR25233 |
| R607275 | LH | 23-15/16" | 2-7/32" | 1-5/8" | 17419, E10907, H10890L, L3275, M12WKL25241 |
| R607276 | RH | | | | 17418, E10908, H10891R, L3274, M12WKR25241 |

1-1/2" -28 SPLINE FOR SPICER TRAILER AXLES WITH 12-1/4" BRAKES "HIGH-LIFT" - DOUBLE GROOVE

Use Camshaft Repair Kit: **R615010** (Nylon Spider Bushing)
R615014 (Bronze Spider Bushing)



NOTE: LH and RH indicates only the direction of cam rotation;
NOT which side of the vehicle the cam is used on.
(LH = Counterclockwise) (RH = Clockwise)



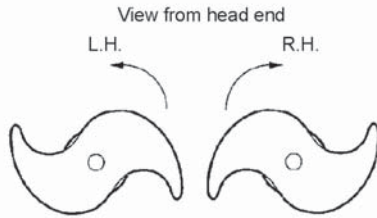
NOTE: All camshaft lengths are measured to the
beginning of the snap ring groove.

| PART NUMBER | HEAD END | EFFECTIVE LENGTH | UNDER HEAD TO 1ST SNAP RING GROOVE | UNDER HEAD TO 2nd SNAP RING GROOVE | BUSHING JOURNAL LENGTH | BUSHING JOURNAL DIAMETER | REPLACES |
|----------------|----------|------------------|------------------------------------|------------------------------------|------------------------|--------------------------|--|
| R607248 | RH | 20-7/16" | 2-7/32" | 2-21/32" | 3" | 1-1/2" | E9754, H10481R, L3254, M12WKR20205, M12WKR20206 |
| R607249 | LH | 21-5/16" | 2-7/32" | 2-21/32" | 3" | 1-1/2" | E9755, H10482L, L3261, M12WKL20214 |
| R607250 | RH | 21-5/16" | 2-7/32" | 2-21/32" | 3" | 1-1/2" | E9756, H10483R, L3260, M12WKR20214 |
| R607251 | LH | 22-1/16" | 2-7/32" | 2-21/32" | 3" | 1-1/2" | E9757, H10484L, L3265, M12WKL20222 |
| R607252 | RH | 22-1/16" | 2-7/32" | 2-21/32" | 3" | 1-1/2" | E9758, H10485R, L3264, M12WKR20222 |
| R607253 | LH | 23-3/16" | 2-7/32" | 2-21/32" | 3" | 1-1/2" | C759L, E9759, H10180L, H10486L, L3171, M12WKL20233 |
| R607254 | RH | 23-3/16" | 2-7/32" | 2-21/32" | 3" | 1-1/2" | C760R, E9760, H10181R, H10487R, L3170, M12WKR20233 |

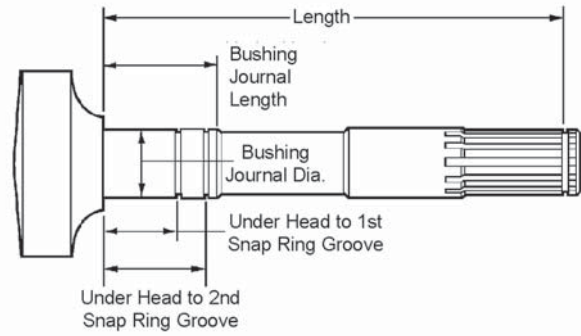
1-1/2”-10 SPLINE FOR SPICER - HAYES DANA TRAILER AXLES WITH 16-1/2” BRAKES

Use Camshaft Repair Kit: **R615008**

Use Brake Repair Kit: **KIT 8000HD**



NOTE: LH and RH indicates only the direction of cam rotation;
NOT which side of the vehicle the cam is used on.
(LH = Counterclockwise) (RH = Clockwise)



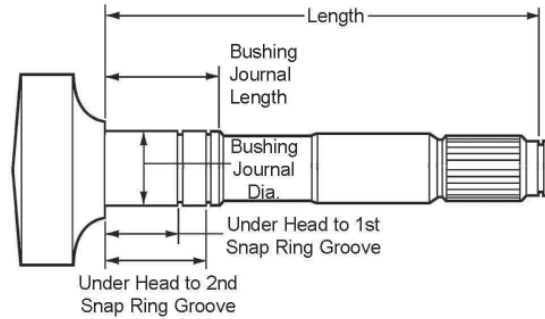
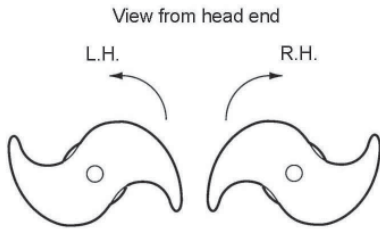
NOTE: All camshaft lengths are measured to the beginning of the snap ring groove.

| PART NUMBER | HEAD END | EFFECTIVE LENGTH | UNDER HEAD TO 1st SNAP RING GROOVE | UNDER HEAD TO 2ND SNAP RING GROOVE | BUSHING JOURNAL LENGTH | BUSHING JOURNAL DIAMETER | REPLACES |
|----------------|----------|------------------|------------------------------------|------------------------------------|------------------------|--------------------------|--|
| R607191 | LH | 26-1/4" | 1-5/8" | 2-7/32" | 2-1/2" | 1-1/2" | 17591, E7217, H10572L, L2797, M16WK10229 |
| R607192 | RH | | | | | | 17590, E7218, H10573R, L2796, M16WK10329 |
| R607193 | LH | 26-1/2" | 2-7/32" | | 2-1/2" | 1-1/2" | 17593, E7219, H10574L |
| R607194 | RH | | | | | | 17592, E7220, H10575R |

1-1/2" -28 SPLINE FOR SPICER TRAILER AXLES WITH 16-1/2" BRAKES - DOUBLE GROOVE

Use Camshaft Repair Kit: **R615008**

Use Brake Repair Kit: **KIT 8000HD**



NOTE: LH and RH indicates only the direction of cam rotation;
NOT which side of the vehicle the cam is used on.
(LH = Counterclockwise) (RH = Clockwise)

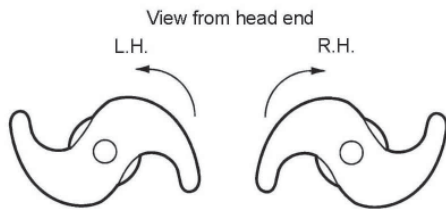
NOTE: All camshaft lengths are measured to the
beginning of the snap ring groove.

| PART NUMBER | HEAD END | EFFECTIVE LENGTH | UNDER HEAD TO 1st SNAP RING GROOVE | UNDER HEAD TO 2ND SNAP RING GROOVE | BUSHING JOURNAL LENGTH | BUSHING JOURNAL DIAMETER | REPLACES |
|----------------|----------|------------------|------------------------------------|------------------------------------|------------------------|--------------------------|---|
| R607221 | LH | 17-11/32" | 1-5/8" | 2-7/32" | 2-1/2" | 1-1/2" | C724L, E9725, H10416L, M16WK10410, M3136L |
| R607222 | RH | | | | | | C725R, E9726, H10417R, M16WK10510, M3136R |
| R607169 | LH | 20-3/8" | 1-5/8" | 2-7/32" | 2-1/2" | 1-1/2" | 16524, 17501, E3854, H10418L, L2898, M16WK10417, M16WK10517, M3175L |
| R607170 | RH | | | | | | 17500, E3855, H10419R, L2897, M16WK10417, M16WK10517, M3175R |
| R607189 | LH | 22-13/16" | 1-5/8" | 2-7/32" | 2-1/2" | 1-1/2" | 16656, E6884, H10420L, M16WK10423, M3137L |
| R607190 | RH | | | | | | 16655, E6885, H10421R, M16WK10523, M3137R, M3188R, N3137R |
| R607171 | LH | 23-1/2" | 1-5/8" | 2-7/32" | 2-1/2" | 1-1/2" | 17503, E3856, H10422L, M16WK10425, M3186L |
| R607172 | RH | | | | | | 17502, E3857, H10423R, M16WK10525, M3186R |

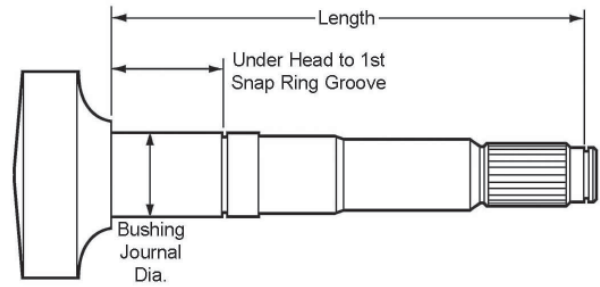
1-1/2" -28 SPLINE FOR SPICER "XL" TRAILER AXLES WITH 16-1/2" BRAKES - SINGLE GROOVE

Use Camshaft Repair Kit: **R615019**

Use Brake Repair Kit: **KIT 8000HD Standard "Q"**
R507063 "XL"



NOTE: LH and RH indicates only the direction of cam rotation;
NOT which side of the vehicle the cam is used on.
(LH = Counterclockwise) (RH = Clockwise)



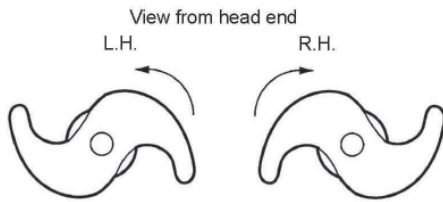
NOTE: All camshaft lengths are measured to the
beginning of the snap ring groove.

| PART NUMBER | HEAD END | EFFECTIVE LENGTH | UNDER HEAD TO 1st SNAP RING GROOVE | BUSHING JOURNAL DIAMETER | REPLACES |
|----------------|----------|------------------|------------------------------------|--------------------------|--|
| R607227 | LH | 17-7/16" | 2-17/64" | 1-5/8" | C931L, E9731, H10168L, L3283, M16WKL25175, M3696L |
| R607228 | RH | | | | C932R, E9732, H10169R, L3282, M16WKR25175, M3696R |
| R607229 | LH | 20-7/16" | 2-17/64" | 1-5/8" | C933L, E9733, H10170L, L3287, M16WKL25205, M3697L |
| R607230 | RH | | | | C934R, E9734, H10171R, L3286, M16WKR25205, M3697R |
| R607315 | LH | 22-5/8" | 2-1/4" | 1-5/8" | 17925, E11856, M16WKL25227 |
| R607316 | RH | | | | 17924, E11857, M16WKR25227 |
| R607317 | LH | 22-7/8" | 2-1/4" | 1-5/8" | 17927, E11858, L3285, M16WKL25231 |
| R607318 | RH | | | | 17926, E11859, L3284, M16WKR25231 |
| R607231 | LH | 23-9/16" | 2-17/64" | 1-5/8" | C935L, E9735, H10172L, L3289, M16WKL25236 |
| R607232 | RH | | | | C936R, E9736, H10173R, L3288, M16WKR25236 |
| R607277 | LH | 24-1/16" | 2-1/4" | 1-5/8" | 17931, E10909, H10176L, L3321, M16WKL25242, M3699L |
| R607278 | RH | | | | 17930, E10910, H10177R, L3320, M16WKR25242, M3699R |
| R607319 | LH | 26-1/4" | 2-1/4" | 1-5/8" | 17937, E11860, L328, L3379, M16WKL25264 |
| R607320 | RH | | | | 17936, E11861, L3378, M16WKR25264 |
| R607233 | LH | 26-15/16" | 2-17/64" | 1-5/8" | C737L, E9737, H10174L, L3407, M16WKL25271, M3141L |
| R607234 | RH | | | | C738R, E9738, H10175R, L3406, M16WKR25271, M3141R |
| R607321 | LH | 30-1/4" | 2-1/4" | 1-5/8" | 17947, E11862, L3631, M16WKL25304 |
| R607322 | RH | | | | 17946, E11863, L3630, M16WKR25304 |

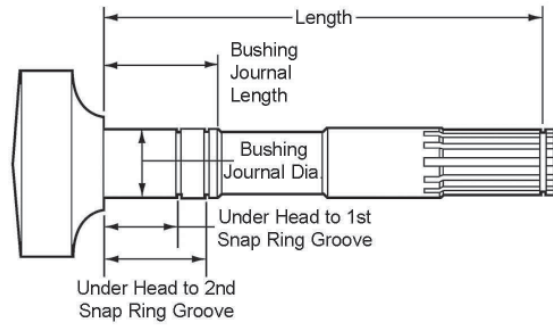
1-1/2" -10 SPLINE FOR SPICER TRAILER AXLES WITH 16-1/2" "XTRALIFE" BRAKES

Use Camshaft Repair Kit: **R615019**

Use Brake Repair Kit: **KIT 8000HD** Standard "Q"
R507063 "XL"



NOTE: LH and RH indicates only the direction of cam rotation;
NOT which side of the vehicle the cam is used on.
(LH = Counterclockwise) (RH = Clockwise)



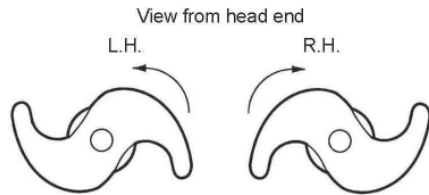
NOTE: All camshaft lengths are measured to the beginning of the snap ring groove.

| PART NUMBER | HEAD END | EFFECTIVE LENGTH | UNDER HEAD TO 1st SNAP RING GROOVE | UNDER HEAD TO 2ND SNAP RING GROOVE | BUSHING JOURNAL LENGTH | BUSHING JOURNAL DIAMETER | REPLACES |
|----------------|----------|------------------|------------------------------------|------------------------------------|------------------------|--------------------------|---|
| R607173 | LH | 17-3/8" | 1-5/8" | 2-7/32" | 2-1/2" | 1-1/2" | E5516, L3293, M16WKL10175, M16WLR10175, M3132L |
| R607174 | RH | | | | | | E5517, L3292, M16WKR10175, M3132R |
| R607235 | LH | 19-1/2" | 1-5/8" | 2-7/32" | 2-1/2" | 1-1/2" | E9739, L3393, M16WKL10196, M16WKL20205 |
| R607236 | RH | | | | | | E9740, L3392, M16WKR10196, M16WKR20205 |
| R607175 | LH | 20-3/8" | 1-5/8" | 2-7/32" | 2-1/2" | 1-1/2" | E5518, L3381, M16WKL10205, M16WKL20231, M3145L |
| R607176 | RH | | | | | | E5519, L3380, M16WKR10205, M16WKR20231, M3145R |
| R607185 | LH | 22-7/8" | 1-5/8" | 2-7/32" | 2-1/2" | 1-1/2" | E6101, L3599, M16WKL10231, M16WKL20236, M3133L |
| R607186 | RH | | | | | | E6102, L3598, M16WKR10231, M16WKR20236, M3133R |
| R607177 | LH | 23-1/2" | 1-5/8" | 2-7/32" | 2-1/2" | 1-1/2" | E5520, HQ10522L, L3291, M16WKL10236, M3134L |
| R607178 | RH | | | | | | CS413941, E5521, HQ10523R, L3290, M16WKR10236, M3134R |
| R607223 | LH | 24" | 1-5/8" | 2-7/32" | 2-1/2" | 1-1/2" | CS41692, E9727, L3307, M16WKL10242, M3135L |
| R607224 | RH | | | | | | E9728, L3306, M16WKR10242, M3135R |
| R607237 | LH | 26-1/4" | 1-5/8" | 2-7/32" | 2-1/2" | 1-1/2" | E9741, L3125, M16WKL10264, M3148L |
| R607238 | RH | | | | | | E9742, L3124, M16WKR10264, M3148R |

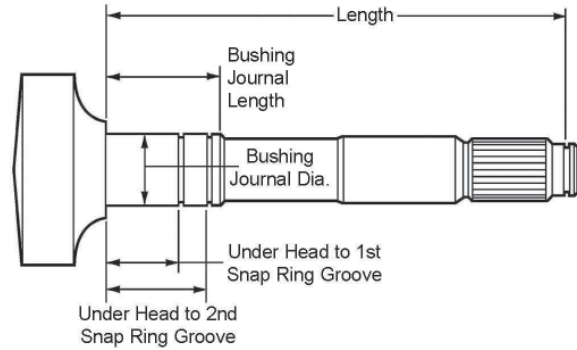
1-1/2" -28 SPLINE FOR SPICER TRAILER AXLES WITH 16-1/2" "XTRALIFE" BRAKES

Use Camshaft Repair Kit: **R615019**

Use Brake Repair Kit: **KIT 8000HD** Standard "Q"
R507063 "XL"



NOTE: LH and RH indicates only the direction of cam rotation;
NOT which side of the vehicle the cam is used on.
(LH = Counterclockwise) (RH = Clockwise)

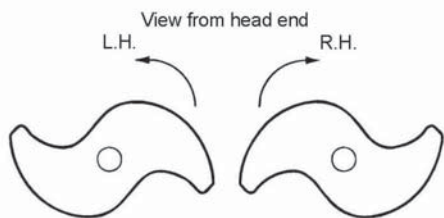


NOTE: All camshaft lengths are measured to the beginning of the snap ring groove.

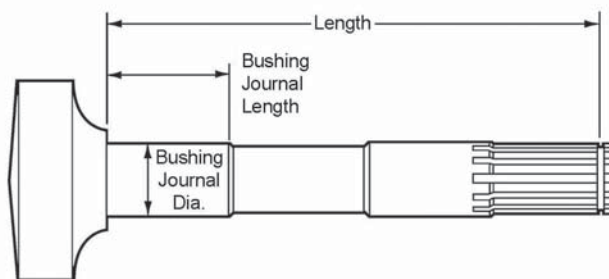
| PART NUMBER | HEAD END | EFFECTIVE LENGTH | UNDER HEAD TO 1st SNAP RING GROOVE | UNDER HEAD TO 2ND SNAP RING GROOVE | BUSHING JOURNAL LENGTH | BUSHING JOURNAL DIAMETER | REPLACES |
|----------------|----------|------------------|------------------------------------|------------------------------------|------------------------|--------------------------|---|
| R607195 | LH | 17-3/16" | 1-5/8" | 2-7/32" | 2-1/2" | 1-1/2" | C096L, E9096, H10150L, L3241, M16WKL20173 |
| R607196 | RH | | | | | | C097R, E9097, H10151R, L3240, M16WKR20173 |
| R607179 | LH | 17-7/16" | 1-5/8" | 2-7/32" | 2-1/2" | 1-1/2" | 17513, E5522, H10152L, L3031, M16WKL20175, M3187L |
| R607180 | RH | | | | | | 17512, C519R, E5523, H10153R, L3030, M16WKR20175, M3187R |
| R607181 | LH | 20-7/16" | 1-5/8" | 2-7/32" | 2-1/2" | 1-1/2" | C520L, E5524, H10154L, L3073, M16WKL20205, M3140L |
| R607182 | RH | | | | | | C521R, E5525, H10155R, L3072, M16WKR20205, M3140R |
| R607197 | LH | 22-15/16" | 1-5/8" | 2-7/32" | 2-1/2" | 1-1/2" | C098L, E9098, H10156L, H10424L, L3047, M16WKL20231, M3188L |
| R607198 | RH | | | | | | C099R, E-M3188R, E9099, EM3188R, H10157R, H10425R, L3046, M16WKR20231 |
| R607183 | LH | 23-9/16" | 1-5/8" | 2-7/32" | 2-1/2" | 1-1/2" | C526L, E5526, H10158L, L3045, M16WKL20236, M3142L, M3186L |
| R607184 | RH | | | | | | C527R, E5527, H10159R, L3044, M16WKR20236, M3142R, M3186R |
| R607199 | LH | 24-1/16" | 1-5/8" | 2-7/32" | 2-1/2" | 1-1/2" | C102L, E9100, H10162L, H10426L, L3311, M16WKL20242, M3169L |
| R607200 | RH | | | | | | C103R, E9101, H10163R, H10427R, L3310, M16WKR20242, M3169R |
| R607225 | LH | 26-15/16" | 1-5/8" | 2-7/32" | 2-1/2" | 1-1/2" | C972L, E9729, H10166L, L3377, M16WKL20271, M3138L |
| R607226 | RH | | | | | | C973R, E9730, H10167R, L3376, M16WKR20271, M3138R |

1-1/2" -10 SPLINE FOR WAGNER DRIVE AXLES WITH 15" BRAKES

Use Camshaft Repair Kit: **KIT 8042** "Q" Brakes
KIT 9078 "P" Brakes
 Use Brake Repair Kit: **KIT 8000HD** "Q" Brakes
KIT 9063 "P" Brakes



NOTE: LH and RH indicates only the direction of cam rotation;
 NOT which side of the vehicle the cam is used on.
 (LH = Counterclockwise) (RH = Clockwise)



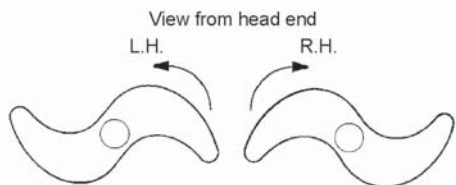
NOTE: All camshaft lengths are measured to the beginning of the snap ring groove.

| PART NUMBER | HEAD END | EFFECTIVE LENGTH | BUSHING JOURNAL LENGTH | BUSHING JOURNAL DIAMETER | REPLACES |
|----------------|----------|------------------|------------------------|--------------------------|--|
| R607028 | LH | 12-1/32" | 1-27/32" | 1-1/2" | 72398, E2715, E2715A, E2715LH, L1685, M2610L |

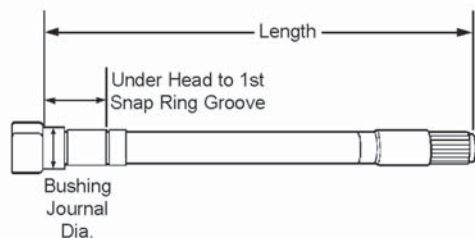
1-1/2" -28 SPLINE FOR DEXTER 12-1/4" TRAILER BRAKES

Use Camshaft Repair Kit:
R615001 (Press-In Inner Bushing)
R615010 (Bolt-On Inner Bushing)

Use Brake Repair Kit:
R507095



NOTE: LH and RH indicates only the direction of cam rotation;
 NOT which side of the vehicle the cam is used on.
 (LH = Counterclockwise) (RH = Clockwise)



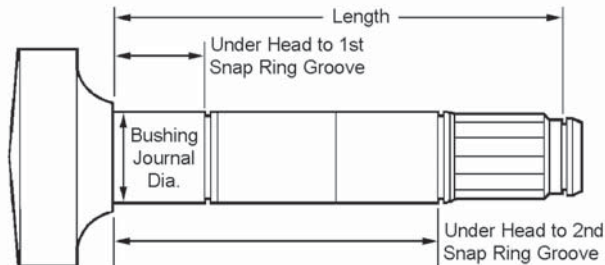
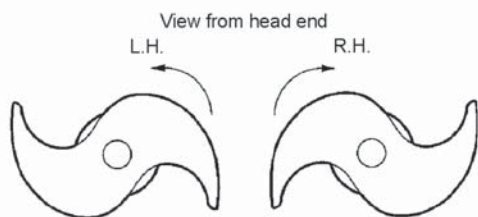
NOTE: All camshaft lengths are measured to the beginning of the snap ring groove.

| PART NUMBER | HEAD END | EFFECTIVE LENGTH | UNDER HEAD TO 1st SNAP RING GROOVE | BUSHING JOURNAL DIAMETER | REPLACES |
|----------------|----------|------------------|------------------------------------|--------------------------|------------------------|
| R607285 | LH | 16-3/8" | 2-7/32" | 1-1/2" | E10917, H10986L, L3551 |
| R607286 | RH | | | | E10918, H10987R, L3550 |
| R607287 | LH | 20-5/16" | 2-7/32" | 1-1/2" | E10919, H10990L |
| R607288 | RH | | | | E10920, H10991R |
| R607289 | LH | 21-1/8" | 2-7/32" | 1-1/2" | E10921, H10992L, L3547 |
| R607290 | RH | | | | E10922, H10993R, L3546 |
| R607291 | LH | 22-5/16" | 2-7/32" | 1-1/2" | E10923, H10994L, L3489 |
| R607292 | RH | | | | E10924, H10995R, L3488 |
| R607293 | LH | 23-3/8" | 2-7/32" | 1-1/2" | E10925, H10996L |
| R607294 | RH | | | | E10926, H10997R |
| R607295 | LH | 24-5/8" | 2-7/32" | 1-1/2" | E10927, H10998L, L3601 |
| R607297 | LH | 26-1/2" | 2-7/32" | 1-1/2" | E10929, H12000L, L3549 |
| R607298 | RH | | | | E10930, H12001R, L3548 |

1-1/2" -10 SPLINE FOR HENDRICKSON INTRAAX® TRAILER AXLES WITH 16-1/2" BRAKES

Use Camshaft Repair Kit: **R615024** 2" O.D. Bushing & Seal (Exposed Cam)
R615025 Enclosed Cam Tube

Use Brake Repair Kit: **KIT 8000HD**



NOTE: LH and RH indicates only the direction of cam rotation;
NOT which side of the vehicle the cam is used on.
(LH = Counterclockwise) (RH = Clockwise)

NOTE: All camshaft lengths are measured to the
beginning of the snap ring groove.

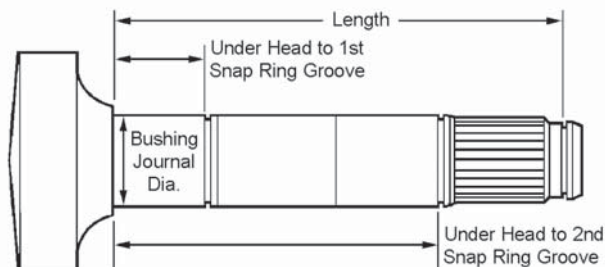
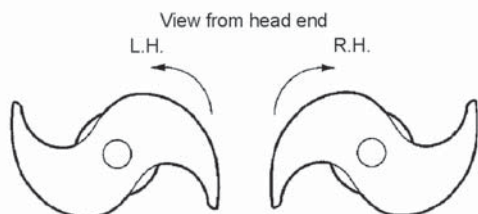
| PART NUMBER | HEAD END | EFFECTIVE LENGTH | UNDER HEAD TO 1st SNAP RING GROOVE | UNDER HEAD TO 2nd SNAP RING GROOVE | BUSHING JOURNAL DIAMETER | REPLACES | APPLICATION INFORMATION |
|----------------|----------|------------------|------------------------------------|------------------------------------|--------------------------|---------------------------|---|
| R607323 | LH | 11-1/32" | 2-5/16" | 8-11/16" | 1-1/2" | E11864, H12034L, S238571L | Can be used with Enclosed Cam Tube or Exposed Cam 2" O.D. bushing and seal. |
| R607324 | RH | | | | | E11865, H12035R, S238571R | |

7

1-1/2" -28 SPLINE FOR HENDRICKSON INTRAAX® TRAILER AXLES WITH 16-1/2" BRAKES

Use Camshaft Repair Kit: **R615022** 1-7/8" O.D. Bushing & Seal (Exposed Cam)
R615024 2" O.D. Bushing & Seal (Exposed Cam)
R615025 Enclosed Cam Tube

Use Brake Repair Kit: **KIT 8000HD**

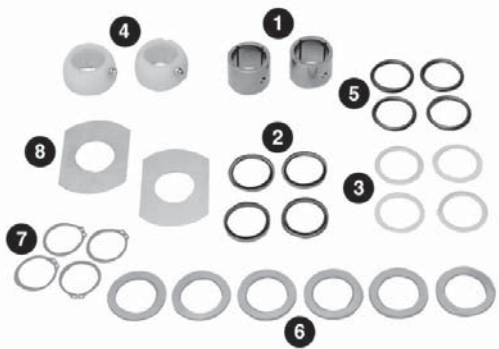



NOTE: LH and RH indicates only the direction of cam rotation;
NOT which side of the vehicle the cam is used on.
(LH = Counterclockwise) (RH = Clockwise)

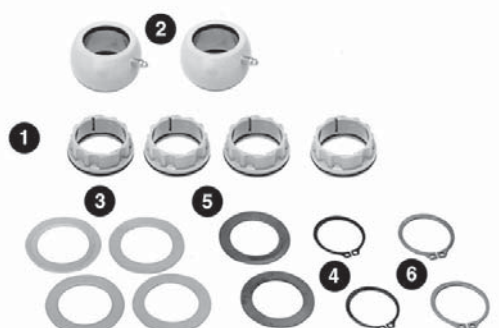
NOTE: All camshaft lengths are measured to the
beginning of the snap ring groove.


| PART NUMBER | HEAD END | EFFECTIVE LENGTH | UNDER HEAD TO 1st SNAP RING GROOVE | UNDER HEAD TO 2nd SNAP RING GROOVE | BUSHING JOURNAL DIAMETER | REPLACES | APPLICATION INFORMATION |
|----------------|----------|------------------|------------------------------------|------------------------------------|--------------------------|---|---|
| R607267 | LH | 11-1/32" | 2-5/16" | 8-11/16" | 1-1/2" | C-20806-1L, C208061L, E10899, H10936L, S208061L | Standard Series |
| R607268 | RH | | | | | C-20806-1R, C208061R, E10900, H10937R, S208061R | |
| R607325 | LH | | | | | E11866, H10232L, L3445, S246361L | Can be used with Enclosed Cam Tube or Exposed Cam 2" O.D. bushing and seal. |
| R607326 | RH | | | | | E11867, H10233R, L3444, S246361R | |

CAMSHAFT REPAIR KITS

| | | ITEM | QTY | PART NUMBER | DESCRIPTION | APPLICATION INFORMATION |
|---|---|------|--------------------|--------------------------|--|-------------------------|
| R615007 Dana (Kershaw) 12-1/4" and 16-1/2"  | 1 | 2 | R657001 | Bronze Bushing | Trailer axle. Spherical outboard bracket. Services 2 brakes. Replaces: 08132111, 437030, 62255, 67353(2), B8685, B8685A, B8685Z, E2680, H8685Z, K151, K99, M10KY100, MK64 | |
| | 2 | 4 | R627018 | Camshaft Seal | | |
| | 3 | 4 | 1229-J-868 | Washer | | |
| | 4 | 2 | R617008 | Outboard Support Bushing | | |
| | 5 | 4 | R627019 | O-Ring Seal | | |
| | 6 | 6 | 1229-R-122 | Spacer Washer | | |
| | 7 | 4 | 1229-Z-1118 | Snap Ring | | |
| | 8 | 2 | 1229-G-1463 | Cam Head Washer | | |

| | | | | | |
|--|---|---|--------------------|-----------------|--|
| R615000 Eaton (Shuler) 12-1/4"  | 1 | 2 | 1225-L-1208 | Nylon Bushing | Trailer axle. Late model, new style spider. Services 2 brakes. Replaces: 17698, 437040, 820244, B206024, B206056, B8712, B8712A, CRK8800, E2494, H8712, K147, K91, MK60 |
| | 2 | 4 | R627008 | Camshaft Seal | |
| | 3 | 2 | R627009 | Support Bushing | |
| | 4 | 2 | 1229-E-811 | Washer | |
| | 5 | 6 | 1229-R-122 | Spacer Washer | |
| | 6 | 2 | 1229-Z-1118 | Snap Ring | |
| | 7 | 2 | R627014 | Cam Lock | |

| | | | | | |
|--|---|---|--------------------|--------------------------|---|
| R615005 Fruehauf (Pro-Par®) 12-1/4" and 16-1/2"  | 1 | 4 | R657003 | Nylon Bushing | Trailer axle. Late model with new design outboard bushing and 1-5/8" cams. Services 2 brakes. Replaces: 437039, 62257, 67324(2), B8649, B8649A, CRK8824, E2090, H8649, HCK1407, K108, MK20 |
| | 2 | 2 | R617009 | Outboard Support Bushing | |
| | 3 | 4 | R627002 | Cam Washer | |
| | 4 | 2 | R627017 | Snap Ring | |
| | 5 | 2 | 1229-R-122 | Spacer Washer | |
| | 6 | 2 | 1229-Z-1118 | Snap Ring | |

| | | | | | |
|--|---|---|--------------------|--------------------------|---|
| R615006 Fruehauf (Pro-Par®) 12-1/4" and 16-1/2"  | 1 | 2 | R617007 | Outboard Support Bushing | Trailer axle. Early model with old design outboard bushing and 1-5/8" cams. Services 2 brakes. Replaces: 437038, 62256, 66740(2), B8650, B8650A, CRK8825, E2122, H8650, K52, K52(2), K94, MK21 |
| | 2 | 4 | R657003 | Nylon Bushing | |
| | 3 | 4 | R627002 | Cam Washer | |
| | 4 | 2 | R627017 | Snap Ring | |
| | 5 | 2 | 1229-R-122 | Spacer Washer | |
| | 6 | 2 | 1229-Z-1118 | Snap Ring | |

CAMSHAFT REPAIR KITS

KIT 8048

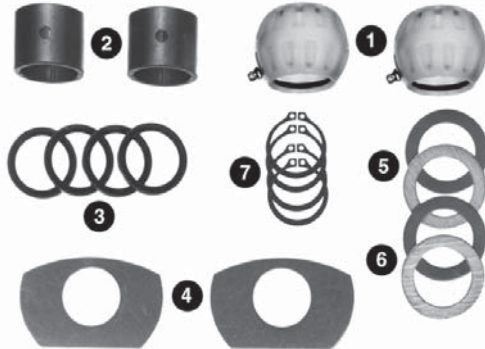
Meritor 12-1/4" and 16-1/2" P and Q



| ITEM | QTY | PART NUMBER | DESCRIPTION | APPLICATION INFORMATION |
|------|-----|----------------|------------------------|---|
| 1 | 2 | 1229-J-868 | Washer | Trailer axles with forged or fabricated spider. Post-121 (4000 and 6000 Series). Services 2 brakes. Replaces: 08130601, 1002254, 437037A, 62710, B8683, B8683A, B8747HD, CQ65517, E3520A, E3989, E3989AHD, H8683, HCK1419, K256, K257, K269, K270, MK61, MK85 |
| 2 | 2 | A2-3105-G-1151 | Retainer Bushing Assy. | |
| 3 | 2 | 1229-X-1116 | Snap Ring | |
| 4 | 2 | 1205-Q-2123 | Seal | |
| 5 | 2 | 1205-V-1452 | O-Ring | |
| 6 | 2 | 1225-A-833 | Outer Bushing | |
| 7 | 2 | 1225-B-834 | Inner Bushing | |
| 8 | 2 | 1229-D-3124 | Snap Ring | |
| 9 | 4 | 1229-G-2971 | Washer | |
| 10 | 4 | 1229-X-3118 | Washer | |

R615014

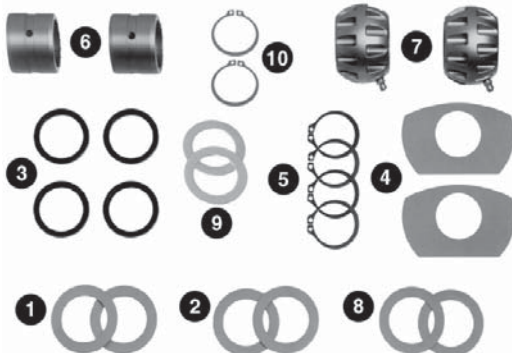
Spicer 12-1/4"



| | | | | |
|---|---|-------------|--------------------------|---|
| 1 | 2 | R617002 | Outboard Support Bushing | Trailer axle. For Spicer "U" brake. Services 2 brakes. Replaces: 437062, B8655Z, CRK8803, E5307 |
| 2 | 2 | R657001 | Bronze Bushing | |
| 3 | 4 | R627008 | Camshaft Seal | |
| 4 | 2 | R627025 | Washer | |
| 5 | 2 | 1229-R-122 | Spacer Washer | |
| 6 | 2 | R627024 | Washer | |
| 7 | 4 | 1229-Z-1118 | Snap Ring | |

R615010

Spicer and Standard Forge 12-1/4"



| | | | | |
|----|---|-------------|--------------------------|---|
| 1 | 2 | 1229-R-122 | Spacer Washer | Trailer axle. Late model. Services 2 brakes. Replaces: 08132300, 437033, B8653A, B8655, B8655A, CRK8802, E2469, H8655, H8682, K145, K157, K345, K89, M12KY101, M12KY202, MK24 |
| 2 | 2 | 1229-Q-771 | Spacer Washer | |
| 3 | 4 | R627008 | Camshaft Seal | |
| 4 | 2 | R627024 | Washer | |
| 5 | 4 | 1229-Z-1118 | Snap Ring | |
| 6 | 2 | R617003 | Nylon Bushing | |
| 7 | 2 | R617002 | Outboard Support Bushing | |
| 8 | 2 | R627025 | Washer | |
| 9 | 2 | 1229-Q-433 | Washer | |
| 10 | 2 | 1229-X-1116 | Snap Ring | |


R615001

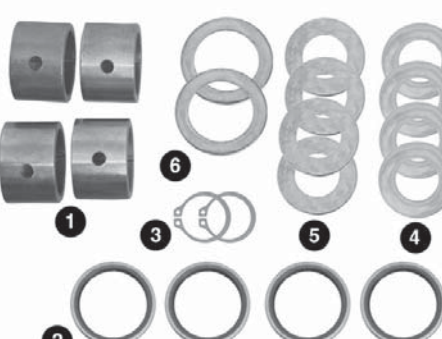
Standard Forge 12-1/4"




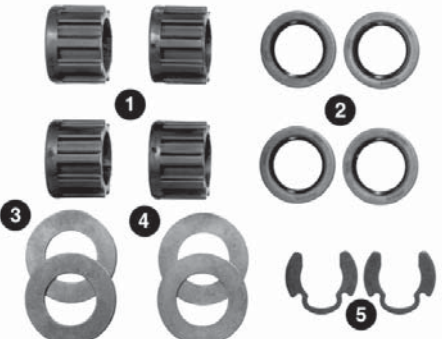
| | | | | |
|---|---|-------------|-----------------------|---|
| 1 | 4 | 1229-Z-1118 | Snap Ring | Trailer axle. Bolt on spider and flat or S head cam. Services 2 brakes. Replaces: 437031, 437033, 62709, B8653A, B8682, B8682A, CQ67411, CRK8801, E2526, K144, K157, K345, K87, K89, M12KY100, M12KY101, M12KY202, MK25 |
| 2 | 2 | R617003 | Nylon Bushing | |
| 3 | 4 | R627018 | Camshaft Seal | |
| 4 | 4 | 1229-J-868 | Washer | |
| 5 | 2 | 1229-R-122 | Spacer Washer | |
| 6 | 2 | R617001 | Nylon Support Bushing | |

CAMSHAFT REPAIR KITS

| KIT 8032 | Meritor 14-1/2" and 15" and 16-1/2" P and Q and W | ITEM | QTY | PART NUMBER | DESCRIPTION | APPLICATION INFORMATION |
|---|---|------|-----|---------------|-------------|--|
|  | | 1 | 2 | 1225-R-512 | Cam Bushing | Bronze bushing and seal kit for coach brakes. Services 1 brake. Replaces: 437100 |
| | | 2 | 2 | A-1205-V-1556 | Seal | |

| R615016 | Bendix 15" | ITEM | QTY | PART NUMBER | DESCRIPTION | APPLICATION INFORMATION |
|---|------------|------|-----|---------------------|---------------|--|
|  | | 1 | 4 | 1225-R-512 | Cam Bushing | Front steering axle. Ford Cargo. Install both seals with lip toward slack adjuster. Services 2 brakes. Replaces: 104631, 437064, B8795, CRK8809, E7235, K301, MK96 |
| | | 2 | 4 | R627008 | Camshaft Seal | |
| | | 3 | 2 | Not Sold Separately | Lock Ring | |
| | | 4 | 4 | Not Sold Separately | .033" Spacer | |
| | | 5 | 4 | Not Sold Separately | .067" Spacer | |
| | | 6 | 2 | Not Sold Separately | .118" Spacer | |

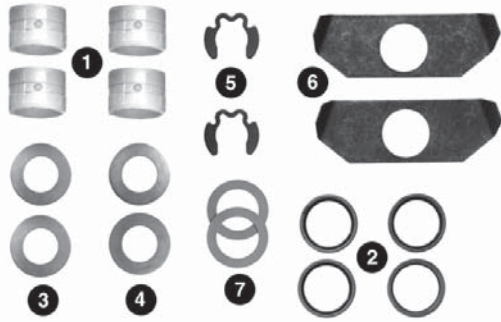
| R615002 | Eaton 15" and 16-1/2" and 18" | ITEM | QTY | PART NUMBER | DESCRIPTION | APPLICATION INFORMATION |
|---|-------------------------------|------|-----|-------------|---------------|--|
|  | | 1 | 4 | 1225-L-1208 | Nylon Bushing | Drive axle. New style fabricated cam brackets. Services 2 brakes. Replaces: 08135100, 127808, 437041, 62259, 67326(2), 78500, B8648, B8648A, B8740, CRK8816, E2125, H8648, K140, K357, K359, K80, MK19 |
| | | 2 | 2 | R627005 | Washer | |
| | | 3 | 4 | R627006 | Washer | |
| | | 4 | 2 | R627012 | Cam Lock Ring | |
| | | 5 | 4 | R627008 | Camshaft Seal | |

| R615013 | Eaton 15" | ITEM | QTY | PART NUMBER | DESCRIPTION | APPLICATION INFORMATION |
|--|-----------|------|-----|-------------|---------------|--|
|  | | 1 | 4 | R627029 | Bushing | Front steering axle. For Eaton single anchor pin style. Services 2 brakes. Replaces: 1008325, 437060, 62258, B8742, E5140, H8742, K264, MK78 |
| | | 2 | 4 | R627030 | Seal | |
| | | 3 | 2 | R627031 | Washer | |
| | | 4 | 2 | R627032 | Washer | |
| | | 5 | 2 | R627012 | Cam Lock Ring | |

CAMSHAFT REPAIR KITS

R615015

Eaton 15" and 16-1/2"



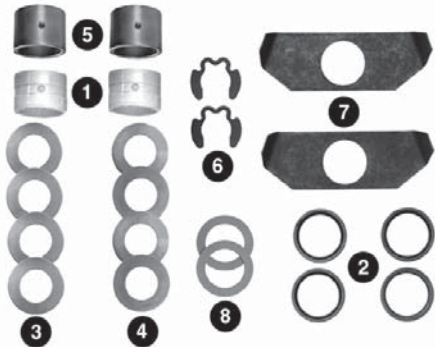
| ITEM | QTY | PART NUMBER | DESCRIPTION |
|------|-----|-------------|---------------|
| 1 | 4 | 1225-L-1208 | Nylon Bushing |
| 2 | 4 | R627018 | Camshaft Seal |
| 3 | 2 | R627006 | Washer |
| 4 | 2 | R627005 | Washer |
| 5 | 2 | R627012 | Cam Lock Ring |
| 6 | 2 | R627033 | Washer |
| 7 | 2 | 1229-R-122 | Spacer Washer |

APPLICATION INFORMATION

For Eaton 15" "Reduced Envelope" brakes and drive axles with 16-1/2" "ES" "Extended Service" brakes. Services 2 brakes. Replaces: 127808, 437069, B8746, CRK8818, E5501, H8746, K296, MK86

R615021

Eaton 15" and 16-1/2"



| ITEM | QTY | PART NUMBER | DESCRIPTION |
|------|-----|-------------|---------------|
| 1 | 2 | 1225-L-1208 | Nylon Bushing |
| 2 | 4 | R627018 | Camshaft Seal |
| 3 | 4 | R627006 | Washer |
| 4 | 4 | R627005 | Washer |
| 5 | 2 | 1225-R-512 | Cam Bushing |
| 6 | 2 | R627012 | Cam Lock Ring |
| 7 | 2 | R627033 | Washer |
| 8 | 2 | 1229-R-122 | Spacer Washer |

For Eaton 15" "Reduced Envelope" brakes and drive axles with "ES" "Extended Service" brakes. Services 2 brakes. Replaces: B8746Z, CRK8823, E10897, H8746Z

7

KIT 8022

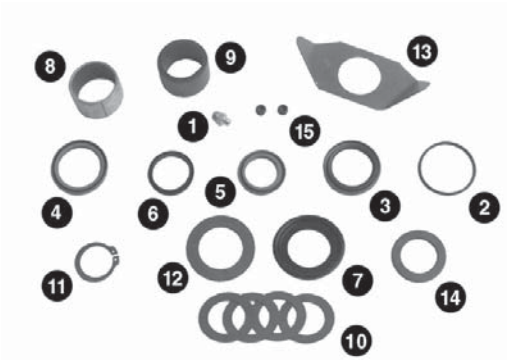
Meritor 15" Q

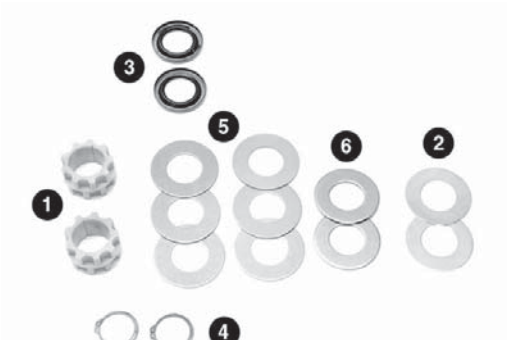


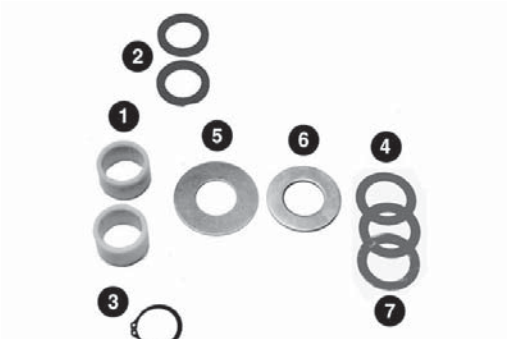
| ITEM | QTY | PART NUMBER | DESCRIPTION |
|------|-----|---------------|-------------|
| 1 | 2 | 1225-R-1136 | Bushing |
| 2 | 2 | A-1205-D-2110 | Seal |

Bushing and seal kit for Meritor front Q brake 1-1/4" camshaft. Services 1 brake. Replaces: B8744, CRK8811, E3876, K285, MK87

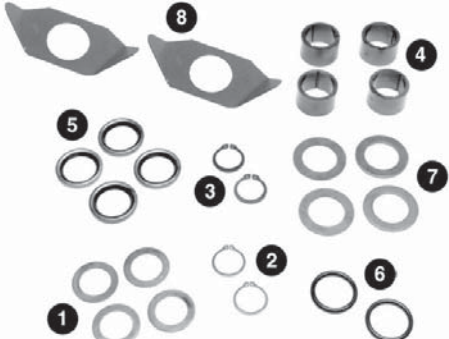
CAMSHAFT REPAIR KITS

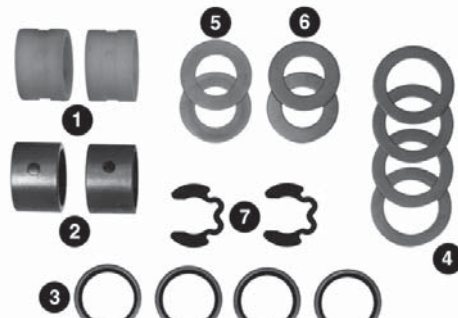
| KIT 8883 | Meritor 15" and 16-1/2" Q Plus™ | ITEM | QTY | PART NUMBER | DESCRIPTION | APPLICATION INFORMATION |
|--|---------------------------------|------|-----|---------------|-----------------------------|--|
|  | | 1 | 1 | 1199-N-1860 | Lube Fitting | |
| | | 2 | 1 | 1205-G-761 | O-Ring | |
| | | 3 | 1 | A-1205-V-1556 | Seal | |
| | | 4 | 1 | A-1205-K-2533 | Grease Seal | |
| | | 5 | 1 | 1205-E-2527 | Seal | |
| | | 6 | 1 | 1205-F-2528 | Seal | |
| | | 7 | 1 | 1205-Z-2652 | Seal | |
| | | 8 | 1 | 1225-J-1362 | Cam Bushing | Services 1 brake. Use with stamped or cast spider. |
| | | 9 | 1 | 1225-C-1277 | Camshaft Bushing | Replaces: E11904 |
| | | 10 | 4 | 1229-J-3130 | Washer | |
| | | 11 | 1 | 1229-D-2942 | Snap Ring | |
| | | 12 | 1 | 1229-H-4090 | Flat Washer | |
| | | 13 | 1 | 1229-F-4686 | Special Washer | |
| | | 14 | 1 | 1229-W-3117 | Flat Washer | |
| | | 15 | 2 | 1250-J-1284 | Plug | |
| | | 16 | 1 | 2297-X-7304 | Grease (14 oz.) (Not Shown) | |


| KIT 9300 | Meritor 15" T | ITEM | QTY | PART NUMBER | DESCRIPTION | APPLICATION INFORMATION |
|---|---------------|------|-----|---------------|---------------|---|
|  | | 1 | 2 | 1225-M-897 | Bushing | Bushing and seal kit for 1-1/4" diameter camshaft. |
| | | 2 | 2 | 1107-D-56 | Spacer Washer | Services 1 brake. |
| | | 3 | 2 | A-1205-P-1602 | Seal | Replaces: 437051, 66922, B8743, CRK8812, E3446, H8743, K273, MK68 |
| | | 4 | 2 | 1229-X-1116 | Snap Ring | |
| | | 5 | 6 | 1229-B-236 | Washer | |
| | | 6 | 2 | 1229-Q-277 | Washer | |


| KIT 9304 | Meritor 15" and 16-1/4" T | ITEM | QTY | PART NUMBER | DESCRIPTION | APPLICATION INFORMATION |
|--|---------------------------|------|-----|---------------|---------------|---|
|  | | 1 | 2 | 1225-L-1208 | Nylon Bushing | Bushing and seal kit for 1-1/2" diameter camshaft. |
| | | 2 | 2 | A-1205-V-1556 | Seal | Services 1 brake. |
| | | 3 | 1 | 1229-Z-1118 | Snap Ring | Replaces: 437050, CRK8813, E3468A, H8688, K272, MK69, RC1 |
| | | 4 | 1 | 1229-Q-771 | Spacer Washer | |
| | | 5 | 1 | 1229-E-811 | Washer | |
| | | 6 | 1 | 1229-P-302 | Cam Washer | |
| | | 7 | 2 | 1229-R-122 | Spacer Washer | |

CAMSHAFT REPAIR KITS

| | ITEM | QTY | PART NUMBER | DESCRIPTION | APPLICATION INFORMATION |
|--|------|-----|---------------|-------------------|---|
| KIT 8042 Meritor 15" and 16-1/2" Q and QPlus  | 1 | 4 | 1229-G-2971 | Washer | Drive axle with 1-1/2" x 28" spline camshaft. Services 2 brakes. Replaces: 08131800, 437047, 62253, B707, B8707, B8741, B8741A, CQ67387, CRK8828, E3993, E3993B, H8707, HCK1425, K278, K367, MK81 |
| | 2 | 2 | 1229-X-1116 | Snap Ring | |
| | 3 | 2 | 1229-D-2942 | Snap Ring | |
| | 4 | 4 | 1225-L-1208 | Nylon Bushing | |
| | 5 | 4 | A-1205-V-1556 | Seal | |
| | 6 | 2 | 1205-X-726 | Oil Seal Retainer | |
| | 7 | 4 | 1229-S-2697 | Washer | |
| | 8 | 2 | 1229-N-2250 | Washer | |















| | | | | | |
|---|---|---|-------------|---------------|--|
| R615018 Eaton 16-1/2"  | 1 | 2 | 1225-L-1208 | Nylon Bushing | Drive axle. For Eaton "ES" severe service. Services 2 brakes. Replaces: 437068, B8793, CRK8819, E9053, H8793, K312 |
| | 2 | 2 | 1225-R-512 | Cam Bushing | |
| | 3 | 4 | R627018 | Camshaft Seal | |
| | 4 | 4 | 1229-R-122 | Spacer Washer | |
| | 5 | 2 | R627006 | Washer | |
| | 6 | 2 | R627005 | Washer | |
| | 7 | 2 | R627012 | Cam Lock Ring | |















| | | | | | |
|--|---|---|---------------|-----------------|---|
| R615003 Eaton (Shuler) 16-1/2"  | 1 | 2 | 1225-L-1208 | Nylon Bushing | Trailer axle. Round and square axles. Kit contains two different size seals. Services 2 brakes. Replaces: 08130800, 437042, B8647, B8657, B8657A, CRK8820, E2089, H8657, K138, K79, K86, MK18, MK62 |
| | 2 | 4 | R627008 | Camshaft Seal | |
| | 3 | 2 | R627009 | Support Bushing | |
| | 4 | 2 | R627014 | Cam Lock | |
| | 5 | 4 | A-1205-V-1556 | Seal | |
| | 6 | 2 | 1229-G-1463 | Cam Head Washer | |
| | 7 | 2 | 1229-Q-771 | Spacer Washer | |
| | 8 | 6 | 1229-R-122 | Spacer Washer | |
| | 9 | 2 | 1229-Z-1118 | Snap Ring | |















| | | | | | |
|--|---|---|-------------|---------------------------|--|
| R615004 Eaton (Shuler) 16-1/2"  | 1 | 2 | R617005 | Nylon Bushing | Trailer axle. 501 series with 1-5/8" cams. Services 2 brakes. Replaces: 08136400, 1008347, 437043, 437043A, 62718, 67354(2), B8684, B8684A, CQ67354, CRK8822, E2696A, H8684, K141, K360, K83, MK63 |
| | 2 | 4 | R627015 | Camshaft Seal | |
| | 3 | 2 | R617006 | Outboard Bushing Assembly | |
| | 4 | 4 | 1229-R-122 | Spacer Washer | |
| | 5 | 4 | R627002 | Cam Washer | |
| | 6 | 2 | 1229-Z-1118 | Snap Ring | |
| | 7 | 2 | 1229-D-3124 | Snap Ring | |
| | 8 | 2 | 1229-X-1116 | Snap Ring | |

















CAMSHAFT REPAIR KITS

| | | ITEM | QTY | PART NUMBER | DESCRIPTION | APPLICATION INFORMATION |
|---|---|------|-----|-----------------------|------------------------|--|
| R615020 | Hendrickson 16-1/2" Intraax® | | | | | |
|  |  | 1 | 2 | R657001 | Bronze Bushing | Trailer axle. Hendrickson Intraax® brake. Services 2 brakes. Replaces: 437090, B8790, E9791 |
|  |  | 2 | 2 | A2-3105-G-1151 | Retainer Bushing Assy. | |
|  |  | 3 | 8 | 1229-J-868 | Washer | |
|  |  | 4 | 4 | R627018 | Camshaft Seal | |
|  |  | 5 | 2 | 1229-Q-2851 | Snap Ring | |
|  | | 6 | 2 | R627027 | Lock Ring | |
|  | | 7 | 2 | 1229-G-1463 | Cam Head Washer | |
|  | | 8 | 2 | 1229-G-2971 | Washer | |
|  | | 9 | 4 | R627011 | Washer | |

| | | | | | | |
|---|---|---|---|---------------------|--------------------------|---|
| R615022 | Hendrickson 16-1/2" Intraax® | | | | | |
|  |  | 1 | 2 | R657001 | Bronze Bushing | Contains heavy-duty support assembly. 1-7/8" bushing and seal O.D. Replaces: 08130301, B8790HD, E9791HD, K361, MK107, S21181 |
|  |  | 2 | 2 | Not Sold Separately | Camshaft Support Bracket | |
|  |  | 3 | 8 | 1229-J-868 | Washer | |
|  |  | 4 | 4 | R627018 | Camshaft Seal | |
|  |  | 5 | 2 | 1229-X-1116 | Snap Ring | |
|  | | 6 | 2 | R627027 | Lock Ring | |
|  | | 7 | 2 | 1229-G-1463 | Cam Head Washer | |
|  | | 8 | 2 | 1229-G-2971 | Washer | |
|  | | 9 | 4 | R627011 | Camshaft Spacer Washer | |

| | | | | | | |
|---|---|---|---|---------------------|--------------------------|---|
| R615024 | Hendrickson 16-1/2" Intraax® | | | | | |
|  |  | 1 | 2 | Not Sold Separately | Bronze Camshaft Bushing | Replaces Hendrickson S-23974. Includes heavy-duty cam support bushings. 2" bushing and seal O.D. Replaces: B8794HD, E11450HD, S23974 |
|  |  | 2 | 4 | Not Sold Separately | Camshaft Seal | |
|  |  | 3 | 4 | 1229-G-2971 | Washer | |
|  |  | 4 | 2 | Not Sold Separately | Camshaft Support Bracket | |
|  |  | 5 | 2 | R627027 | Lock Ring | |
|  | | 6 | 8 | 1229-J-868 | Washer | |
|  | | 7 | 2 | 1229-G-1463 | Cam Head Washer | |
|  | | 8 | 4 | R627011 | Camshaft Spacer Washer | |
|  | | 9 | 2 | 1229-X-1116 | Snap Ring | |

| | | | | | | |
|---|---|---|---|---------------------|-----------------------|---|
| R615025 | Hendrickson 16-1/2" Intraax® | | | | | |
|  |  | 1 | 1 | Not Sold Separately | Outer Cam Washer | Replaces Hendrickson S-26348. Includes cam tube. Services one wheel end. Replaces: E11897, S26348 |
|  |  | 2 | 1 | Not Sold Separately | Cam Tube Assembly | |
|  |  | 3 | 3 | Not Sold Separately | Capscrew | |
|  |  | 4 | 3 | Not Sold Separately | Flanged Head Lock Nut | |
|  |  | 5 | 2 | Not Sold Separately | Journal Washer | |
|  | | 6 | 3 | Not Sold Separately | Spline Inner Washer | |
|  | | 7 | 1 | Not Sold Separately | Cam Tube Bracket | |
|  | | 8 | 1 | Not Sold Separately | Snap Ring | |
|  | | 9 | 1 | Not Sold Separately | Snap Ring | |

CAMSHAFT REPAIR KITS

| | ITEM | QTY | PART NUMBER | DESCRIPTION | APPLICATION INFORMATION |
|---|------|-----|----------------------|-----------------|--|
| R615009 Kershaw and Standard Forge 16-1/2" | 1 | 2 | 1225-L-1208 | Nylon Bushing | Trailer axle. For all early model axles. Services 2 brakes. Replaces: 437029, 62712, B8651, B8656, B8656A, B8705A, E2087, H8656, K146, K346, K90, L346, MK27 |
| | 2 | 4 | A-1205-V-1556 | Seal | |
| | 3 | 4 | R627008 | Cam Head Washer | |
| | 4 | 2 | 1229-G-1463 | Cam Head Washer | |
| | 5 | 2 | R627011 | Washer | |
| | 6 | 2 | 1229-R-122 | Spacer Washer | |
| | 7 | 4 | 1229-Z-1118 | Snap Ring | |
| | 8 | 2 | R617003 | Nylon Bushing | |

| | ITEM | QTY | PART NUMBER | DESCRIPTION | APPLICATION INFORMATION |
|---|------|-----|----------------------|-----------------|--|
| KIT 9078 Meritor 16-1/2" P | 1 | 4 | 1225-L-1208 | Nylon Bushing | Camshaft repair kit for early series P brakes on tractors. Services 2 brakes. Replaces: 437034, 62250, 67327(2), B8646, B8646A, CRK8827, E2086, E2086B, H8646, HCK1404, K48, K48(2), K81, MK17 |
| | 2 | 4 | A-1205-V-1556 | Seal | |
| | 3 | 2 | 1229-G-1463 | Cam Head Washer | |
| | 4 | 2 | 1229-R-122 | Spacer Washer | |
| | 5 | 2 | 1229-Q-771 | Spacer Washer | |
| | 6 | 2 | 1229-Z-1118 | Snap Ring | |

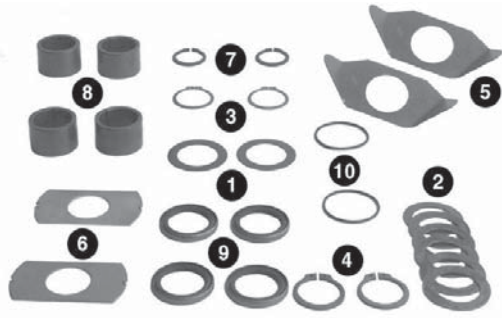
| | ITEM | QTY | PART NUMBER | DESCRIPTION | APPLICATION INFORMATION |
|--|------|-----|----------------------|-----------------|--|
| KIT 9078A Meritor 16-1/2" P | 1 | 2 | 1225-L-1208 | Nylon Bushing | Camshaft repair kit for early series P brakes on tractors. Same as KIT 9078, except services 1 brake. Replaces: B8646A |
| | 2 | 2 | A-1205-V-1556 | Seal | |
| | 3 | 1 | 1229-G-1463 | Cam Head Washer | |
| | 4 | 1 | 1229-R-122 | Spacer Washer | |
| | 5 | 1 | 1229-Q-771 | Spacer Washer | |
| | 6 | 1 | 1229-Z-1118 | Snap Ring | |

| | ITEM | QTY | PART NUMBER | DESCRIPTION | APPLICATION INFORMATION |
|---|------|-----|----------------------|------------------|---|
| KIT 1760 Meritor 16-1/2" P and Q | 1 | 2 | A-3105-L-1078 | Retainer Bushing | For trailer axles with fabricated spiders with bolt-on bushings. Services 2 brakes. |
| | 2 | 8 | 10-X-1421 | Screw | |

CAMSHAFT REPAIR KITS

KIT 8043

Meritor 16-1/2" P and Q



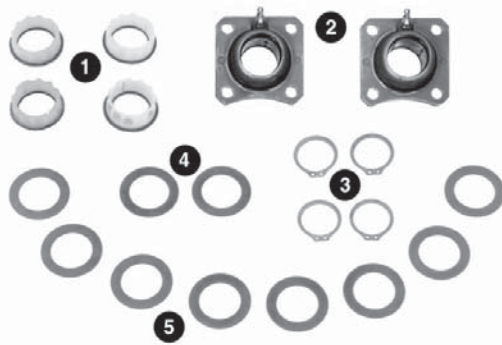
| ITEM | QTY | PART NUMBER | DESCRIPTION |
|------|-----|---------------|----------------|
| 1 | 2 | 1229-Q-771 | Spacer Washer |
| 2 | 6 | 1229-R-122 | Spacer Washer |
| 3 | 2 | 1229-Z-1118 | Snap Ring |
| 4 | 2 | 1229-Q-2851 | Snap Ring |
| 5 | 2 | 1229-N-2250 | Washer |
| 6 | 2 | 1229-L-844 | Special Washer |
| 7 | 2 | 1229-D-2942 | Snap Ring |
| 8 | 4 | 1225-L-1208 | Nylon Bushing |
| 9 | 4 | A-1205-V-1556 | Seal |
| 10 | 2 | 1205-G-761 | O-Ring |

APPLICATION INFORMATION

Services 2 brakes.
Replaces: 08130200,
B8646, CRK8827

KIT 8047

Meritor 16-1/2" P and Q

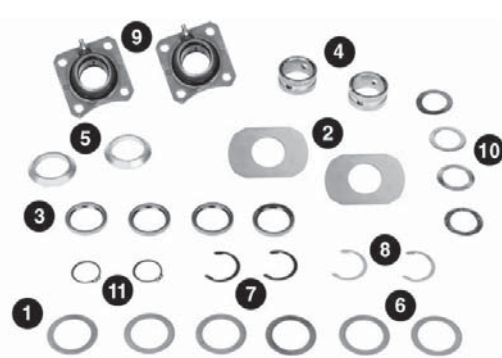


| | | | |
|---|---|----------------|-------------------------|
| 1 | 2 | R000943 | Bushing Replacement Kit |
| 2 | 2 | A2-3105-G-1151 | Retainer Bushing Assy. |
| 3 | 4 | 1229-Z-1118 | Snap Ring |
| 4 | 2 | 1229-Q-771 | Spacer Washer |
| 5 | 8 | 1229-R-122 | Spacer Washer |

Trailer axle with 1-1/2"-28
spline camshaft. Services
2 brakes.
Replaces: 437046, B8701

KIT 8058

Meritor 16-1/2" P and Q



| | | | |
|----|---|----------------|------------------------|
| 1 | 4 | 1229-X-3118 | Washer |
| 2 | 2 | 1229-A-4135 | Washer |
| 3 | 4 | 1205-Q-2123 | Seal |
| 4 | 2 | 1225-N-1158 | Camshaft Bushing |
| 5 | 2 | 1229-C-4137 | Spacer Washer |
| 6 | 2 | 1229-B-4136 | Flat Washer |
| 7 | 2 | 1229-D-3124 | Snap Ring |
| 8 | 2 | 1229-T-4102 | Snap Ring |
| 9 | 2 | A2-3105-G-1151 | Retainer Bushing Assy. |
| 10 | 4 | 1229-B-1848 | Washer |
| 11 | 2 | 1229-X-1116 | Snap Ring |

Trailer Axles with forged or
fabricated spider. Includes
one piece powdered metal
bushing (1225-N-1158).
Services 2 brakes.
Replaces: 437071, E3989,
E9078HD, K289, K289(2),
MK89

KIT 8062

Meritor 16-1/2" P and Q



| | | | |
|----|---|--------------|------------------------|
| 1 | 2 | 1229-X-3118 | Washer |
| 2 | 1 | 1205-V-1452 | O-Ring |
| 3 | 1 | A-3105-K-219 | Retainer Bushing Assy. |
| 4 | 1 | 1225-A-833 | Outer Bushing |
| 5 | 1 | 1225-B-834 | Inner Bushing |
| 6 | 1 | 1205-Q-2123 | Seal |
| 7 | 1 | 1229-D-3124 | Snap Ring |
| 8 | 1 | 1229-C-4137 | Spacer Washer |
| 9 | 1 | 1229-B-4136 | Flat Washer |
| 10 | 1 | 1229-T-4102 | Snap Ring |

Trailer axle. Use with
fabricated spider with
2-1/2" I.D. bushing hole.
Services 1 brake.

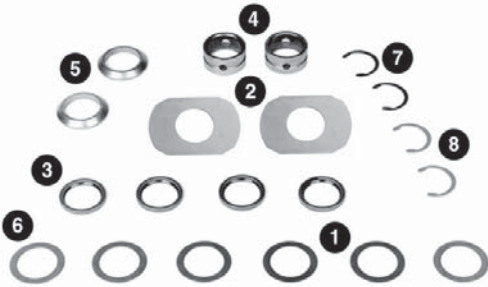
CAMSHAFT REPAIR KITS

KIT 8064 Meritor 16-1/2" P and Q



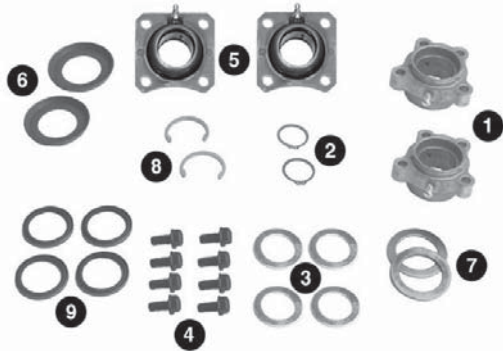
| ITEM | QTY | PART NUMBER | DESCRIPTION | APPLICATION INFORMATION |
|------|-----|--------------|------------------------|--|
| 1 | 2 | 1229-X-3118 | Washer | Trailer axle. Weld on bushing. Services 1 brake. |
| 2 | 2 | 1205-Q-2123 | Seal | |
| 3 | 1 | A-3105-K-219 | Retainer Bushing Assy. | |
| 4 | 1 | 1225-N-1158 | Camshaft Bushing | |
| 5 | 1 | 1229-C-4137 | Spacer Washer | |
| 6 | 1 | 1229-B-4136 | Flat Washer | |
| 7 | 1 | 1229-D-3124 | Snap Ring | |
| 8 | 1 | 1229-T-4102 | Snap Ring | |

KIT 8067 Meritor 16-1/2" P and Q



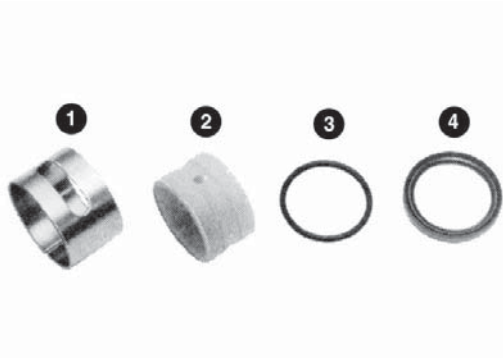
| | | | | |
|---|---|-------------|------------------|----------------------------------|
| 1 | 4 | 1229-X-3118 | Washer | Trailer axle. Services 2 brakes. |
| 2 | 2 | 1229-A-4135 | Washer | |
| 3 | 4 | 1205-Q-2123 | Seal | |
| 4 | 2 | 1225-N-1158 | Camshaft Bushing | |
| 5 | 2 | 1229-C-4137 | Spacer Washer | |
| 6 | 2 | 1229-B-4136 | Flat Washer | |
| 7 | 2 | 1229-D-3124 | Snap Ring | |
| 8 | 2 | 1229-T-4102 | Snap Ring | |

KIT 8091 Meritor 16-1/2" P and Q




| | | | | |
|---|---|----------------|------------------------|---|
| 1 | 2 | A1-3105-Q-1213 | Retainer Assembly | Services 2 brakes. Use with fabricated spiders. Trailer axle cam with bolt-on bushings. |
| 2 | 2 | 1229-X-1116 | Snap Ring | |
| 3 | 4 | 1229-B-1848 | Washer | |
| 4 | 8 | 10-X-1348 | Self Tapping Screw | |
| 5 | 2 | A2-3105-G-1151 | Retainer Bushing Assy. | |
| 6 | 2 | 1229-R-4100 | Outer Washer | |
| 7 | 2 | 1229-S-4101 | Inner Washer | |
| 8 | 2 | 1229-T-4102 | Snap Ring | |
| 9 | 4 | 1205-Q-2123 | Seal | |


KIT 9034 Meritor 16-1/2" P and Q





| | | | | |
|---|---|-------------|---------------|--|
| 1 | 1 | 1225-A-833 | Outer Bushing | Trailer axle. Post-121 (4000 and 6000 Series). Services 1 brake. Replaces: 281243, 66831, B8661, E2670, H8661, HCK1416, L1305, M1406 |
| 2 | 1 | 1225-B-834 | Inner Bushing | |
| 3 | 1 | 1205-V-1452 | O-Ring | |
| 4 | 1 | 1205-Q-2123 | Seal | |

CAMSHAFT REPAIR KITS


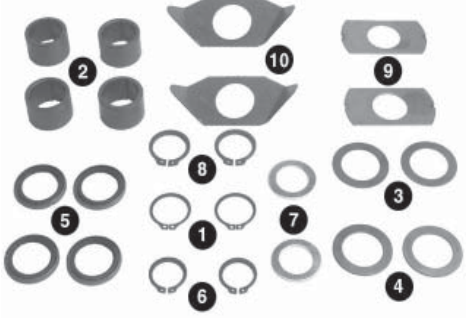
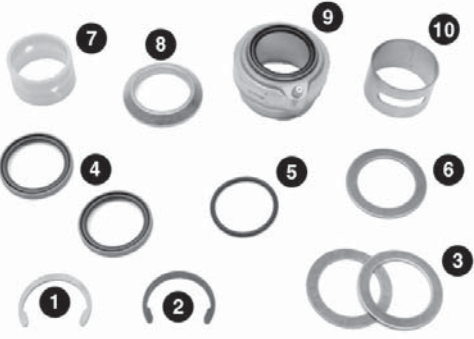
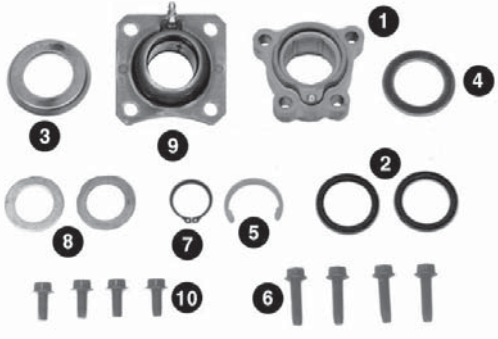
| | ITEM | QTY | PART NUMBER | DESCRIPTION | APPLICATION INFORMATION |
|--|------|-----|----------------|------------------------|---|
| KIT 9035 Meritor 16-1/2" P and Q  | 1 | 2 | 1225-X-804 | Bushing | Trailer axle. |
| | 2 | 2 | A2-3105-G-1151 | Retainer Bushing Assy. | Services 2 brakes. |
| | 3 | 2 | 1205-N-924 | Seal | Replaces: 437046, 437046A, 62708, B8686, B8686HD, E2679A, E2679AHD, K104, K149, K149(2), K152, K162, K95, K98, MK65 |
| | 4 | 8 | 1229-J-868 | Washer | |
| | 5 | 4 | 1229-Z-1118 | Snap Ring | |
| | 6 | 2 | A-1205-V-1556 | Seal | |

| | | | | | |
|---|----|---|-------------|-------------------|---|
| KIT 970 Meritor 16-1/2" P and Q  | 1 | 2 | 1225-A-833 | Outer Bushing | |
| | 2 | 2 | 1225-R-1058 | Bracket Bushing | |
| | 3 | 2 | 1225-B-834 | Inner Bushing | Trailer axle. Post-121 (4000 and 6000 Series). |
| | 4 | 4 | 1205-X-726 | Oil Seal Retainer | Services 2 brakes. |
| | 5 | 2 | 1205-Q-2123 | Seal | Replaces: 18780, 437037, 62251, 67334(2), B8645, B8645A, E2382, H8645, K53, K53(2), K97, MK16 |
| | 6 | 2 | 1205-V-1452 | O-Ring | |
| | 7 | 2 | 1229-D-3124 | Snap Ring | |
| | 8 | 2 | 1229-X-1116 | Snap Ring | |
| | 9 | 2 | 1229-B-1848 | Washer | |
| | 10 | 2 | 1229-J-868 | Washer | |
| | 11 | 4 | 1229-X-3118 | Washer | |


| | | | | | |
|---|---|---|---------------|-------------------|--|
| KIT 971 Meritor 16-1/2" P and Q  | 1 | 2 | 1225-R-1058 | Bracket Bushing | Trailer axle. Pre and post-121 (5000 Series). |
| | 2 | 2 | 1225-X-804 | Bushing | Services 2 brakes. |
| | 3 | 2 | A-1205-V-1556 | Seal | Replaces: 62707, B8704, H8686, K104, K152, K152(2), K162 |
| | 4 | 4 | 1205-X-726 | Oil Seal Retainer | |
| | 5 | 2 | 1205-N-924 | Seal | |
| | 6 | 4 | 1229-Z-1118 | Snap Ring | |
| | 7 | 6 | 1229-R-122 | Spacer Washer | |

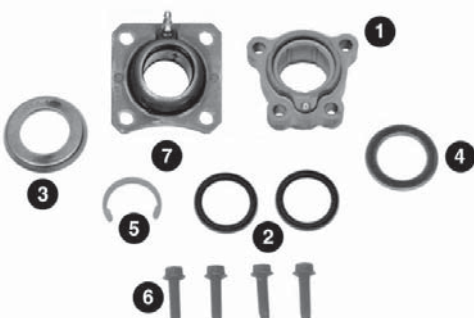
| | | | | | |
|---|---|---|---------------|---------------|---|
| KIT 8033 Meritor 16-1/2" P, Q and Q Plus™  | 1 | 2 | 1225-L-1208 | Nylon Bushing | Nylon bushing and seal kit for all 16-1/2" P and Q brakes. |
| | 2 | 2 | A-1205-V-1556 | Seal | Services 1 brake. Replaces: 437048A, 437101, B8766, CRK8829, HCK1433 |


CAMSHAFT REPAIR KITS

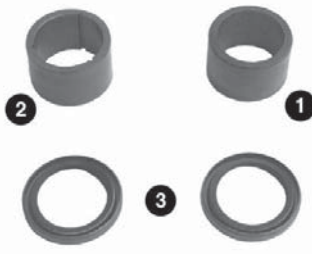
| | | ITEM | QTY | PART NUMBER | DESCRIPTION | APPLICATION INFORMATION | | | | | |
|-----------------|---|---|--------------------|-------------|-------------|-------------------------|--|----|---|----------------|------------------------|
| KIT 8084 | Meritor 16-1/2" P, Q and Q Plus™ |  | | | | | Trailer axle. Services 1 brake. | | | | |
| | | | | | | | | 1 | 1 | 1229-C-4137 | Spacer Washer |
| | | | | | | | | 2 | 1 | 1229-B-4136 | Flat Washer |
| | | | | | | | | 3 | 1 | 1229-T-4102 | Snap Ring |
| KIT 8030 | Meritor 16-1/2" Q |  | | | | | For Meritor 16-1/2" Q brakes on drive and steering axles with cams having 1-1/2"-10 or 28 spline. Replaces: KIT81 | | | | |
| | | | | | | | | 1 | 2 | 1229-Z-1118 | Snap Ring |
| | | | | | | | | 2 | 4 | 1225-L-1208 | Nylon Bushing |
| | | | | | | | | 3 | 2 | 1229-R-122 | Spacer Washer |
| | | | | | | | | 4 | 2 | 1229-Q-771 | Spacer Washer |
| | | | | | | | | 5 | 4 | A-1205-V-1556 | Seal |
| | | | | | | | | 6 | 2 | 1229-D-2942 | Snap Ring |
| | | | | | | | | 7 | 2 | 1229-B-1848 | Washer |
| | | | | | | | | 8 | 2 | 1229-Q-2851 | Snap Ring |
| | | | | | | | | 9 | 2 | 1229-L-844 | Special Washer |
| | | | | | | | | 10 | 2 | 1229-N-2250 | Washer |
| KIT 8069 | Meritor 16-1/2" Q |  | | | | | Trailer axle. Use with fabricated spider with 2.35" I.D. bushing hole. Services 1 brake. | | | | |
| | | | | | | | | 1 | 1 | 1229-T-4102 | Snap Ring |
| | | | | | | | | 2 | 1 | 1229-D-3124 | Snap Ring |
| | | | | | | | | 3 | 2 | 1229-X-3118 | Washer |
| | | | | | | | | 4 | 2 | 1205-Q-2123 | Seal |
| | | | | | | | | 5 | 1 | 1205-V-1452 | O-Ring |
| | | | | | | | | 6 | 1 | 1229-B-4136 | Flat Washer |
| | | | | | | | | 7 | 1 | 1225-B-834 | Inner Bushing |
| | | | | | | | | 8 | 1 | 1229-C-4137 | Spacer Washer |
| | | | | | | | | 9 | 1 | A-3105-D-1148 | Retainer Bushing Assy. |
| 10 | 1 | 1225-A-833 | Outer Bushing | | | | | | | | |
| KIT 8078 | Meritor 16-1/2" Q |  | | | | | Trailer axle. Bolt-on bushing. Services 1 brake. Identical to KIT 8078A except services 2 brakes. Replaces: E9079HD2 | | | | |
| | | | | | | | | 1 | 1 | A-3105-L-1078 | Retainer Bushing |
| | | | | | | | | 2 | 2 | 1205-Q-2123 | Seal |
| | | | | | | | | 3 | 1 | 1229-R-4100 | Outer Washer |
| | | | | | | | | 4 | 1 | 1229-S-4101 | Inner Washer |
| | | | | | | | | 5 | 1 | 1229-T-4102 | Snap Ring |
| | | | | | | | | 6 | 4 | 10-X-1421 | Screw |
| | | | | | | | | 7 | 1 | 1229-X-1116 | Snap Ring |
| | | | | | | | | 8 | 2 | 1229-B-1848 | Washer |
| | | | | | | | | 9 | 1 | A2-3105-G-1151 | Retainer Bushing Assy. |
| 10 | 4 | 10-X-1348 | Self Tapping Screw | | | | | | | | |

CAMSHAFT REPAIR KITS

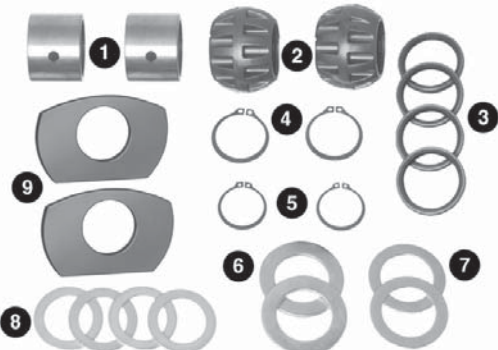
| | ITEM | QTY | PART NUMBER | DESCRIPTION | APPLICATION INFORMATION |
|--|------|-----|---------------|------------------|--|
| KIT 8289 Meritor 16-1/2" Q  | 1 | 1 | A-3105-L-1078 | Retainer Bushing | Trailer axle. Bolt-on bushing. Services 1 brake. Replaces: 08130610, 437072A, B8788, CQ66941, E6078, H8788, HCK1443, K313, L3043, MK90 |
| | 2 | 2 | 1205-Q-2123 | Seal | |
| | 3 | 1 | 1229-R-4100 | Outer Washer | |
| | 4 | 1 | 1229-S-4101 | Inner Washer | |
| | 5 | 1 | 1229-T-4102 | Snap Ring | |
| | 6 | 4 | 10-X-1421 | Screw | |


| | | | | | |
|--|---|---|----------------|------------------------|--|
| KIT 8314 Meritor 16-1/2" Q  | 1 | 1 | A-3105-L-1078 | Retainer Bushing | Trailer axle. Bolt-on bushing. Services one brake. Replaces: E6078 |
| | 2 | 2 | 1205-Q-2123 | Seal | |
| | 3 | 1 | 1229-R-4100 | Outer Washer | |
| | 4 | 1 | 1229-S-4101 | Inner Washer | |
| | 5 | 1 | 1229-T-4102 | Snap Ring | |
| | 6 | 4 | 10-X-1421 | Screw | |
| | 7 | 1 | A2-3105-G-1151 | Retainer Bushing Assy. | |

| | | | | | |
|---|---|---|---------------|------------------|--|
| KIT 8033C Meritor 16-1/2" Q Plus™  | 1 | 1 | 1225-J-1362 | Cam Bushing | Bushing and seal kit. Includes "Extended Lube Seal" for LX/MX500 Grease-Free Series. Services 1 brake. |
| | 2 | 1 | 1225-C-1277 | Camshaft Bushing | |
| | 3 | 1 | A-1205-V-1556 | Seal | |
| | 4 | 1 | A-1205-K-2533 | Grease Seal | |

| | | | | | |
|---|---|---|---------------|------------------|--|
| KIT 8033A Meritor 16-1/2" Q and Q Plus™  | 1 | 1 | 1225-C-1277 | Camshaft Bushing | Nylon bushing and seal kit for all 16-1/2" P and Q brakes. Services 1 brake. Replaces: H8766 |
| | 2 | 1 | 1225-L-1208 | Nylon Bushing | |
| | 3 | 2 | A-1205-V-1556 | Seal | |

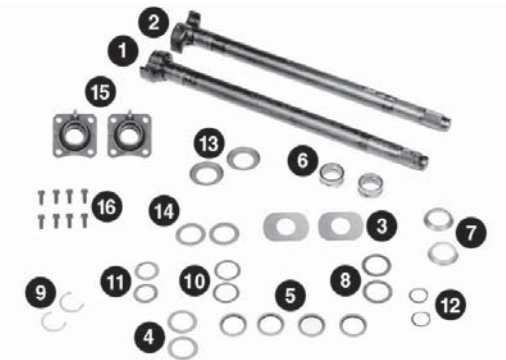
CAMSHAFT REPAIR KITS

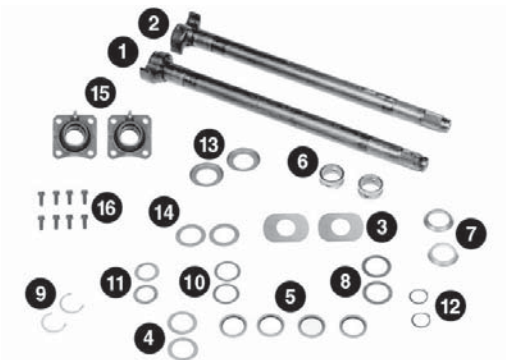
| | ITEM | QTY | PART NUMBER | DESCRIPTION | APPLICATION INFORMATION |
|--|------|-----|--------------------|-----------------------------|--|
| R615019 Spicer 16-1/2"  | 1 | 2 | R627034 | Bushing | Trailer axle. For Spicer brake with 1-5/8" cam journal. Services 2 brakes. Replaces: 08132800, 08132803, B8792, E9790A, H8792, K340, K348 |
| | 2 | 2 | R617015 | Outboard Support Bushing | |
| | 3 | 4 | 1205-Q-2123 | Seal | |
| | 4 | 2 | R627017 | Snap Ring | |
| | 5 | 2 | 1229-X-1116 | Snap Ring | |
| | 6 | 2 | R627043 | Washer | |
| | 7 | 2 | 1229-R-122 | Spacer Washer | |
| | 8 | 4 | 1229-G-2971 | Washer | |
| | 9 | 2 | R627044 | Cam Washer | |


| | | | | | |
|---|---|---|--------------------|-----------------------------|--|
| R615008 Spicer and Standard Forge 16-1/2"  | 1 | 2 | R617003 | Nylon Bushing | Trailer axle. Spherical outboard bracket. Services 2 brakes. Replaces: 08132100, 437032, 437035, 62254, 62713, 67332(2), B8652, B8653, B8653P, CRK8846, E2287, H8652, K123, K314, K343, K344, K84, M16KY100, MK26 |
| | 2 | 2 | R617002 | Outboard Support Bushing | |
| | 3 | 4 | R627018 | Camshaft Seal | |
| | 4 | 2 | 1229-Q-771 | Spacer Washer | |
| | 5 | 2 | 1229-G-1463 | Cam Head Washer | |
| | 6 | 6 | 1229-R-122 | Spacer Washer | |
| | 7 | 4 | 1229-Z-1118 | Snap Ring | |
| | 8 | 2 | 1229-D-2942 | Snap Ring | |
| | 9 | 2 | 1229-X-1116 | Snap Ring | |

7


CAMSHAFT RETROFIT KITS TO Q PLUS™ TRAILER RETROFIT KITS

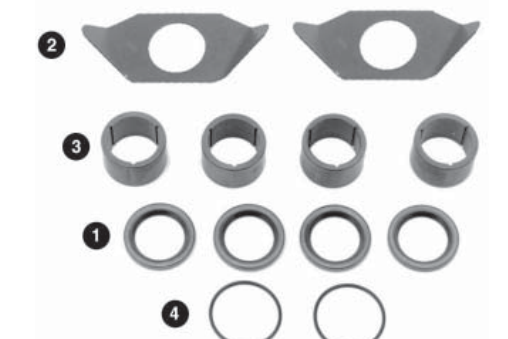
| KIT 8800 | Meritor 16-1/2" Q Plus™ | ITEM | QTY | PART NUMBER | DESCRIPTION | APPLICATION INFORMATION |
|--|-------------------------|------|----------------|------------------------|-------------|--|
|  | | 1 | 1 | 2210-B-6866 | Camshaft RH | Camshafts retrofitted: 2210-U-6573 (RH) 2210-V-6574 (LH) 2210-L-4328 (RH) 2210-M-4329 (LH) |
| | 2 | 1 | 2210-C-6867 | Camshaft LH | | |
| | 3 | 2 | 1229-A-4135 | Washer | | |
| | 4 | 2 | 1229-X-3118 | Washer | | |
| | 5 | 4 | 1205-Q-2123 | Seal | | |
| | 6 | 2 | 1225-N-1158 | Camshaft Bushing | | |
| | 7 | 2 | 1229-C-4137 | Spacer Washer | | |
| | 8 | 2 | 1229-B-4136 | Flat Washer | | |
| | 9 | 2 | 1229-T-4102 | Snap Ring | | |
| | 10 | 2 | 1229-J-868 | Washer | | |
| | 11 | 2 | 1229-B-1848 | Washer | | |
| | 12 | 2 | 1229-X-1116 | Snap Ring | | |
| | 13 | 2 | 1229-R-4100 | Outer Washer | | |
| | 14 | 2 | 1229-S-4101 | Inner Washer | | |
| | 15 | 2 | A2-3105-G-1151 | Retainer Bushing Assy. | | |
| | 16 | 8 | 10-X-1348 | Self Tapping Screw | | |


| KIT 8802 | Meritor 16-1/2" Q Plus™ | ITEM | QTY | PART NUMBER | DESCRIPTION | APPLICATION INFORMATION |
|---|-------------------------|------|----------------|------------------------|-------------|--|
|  | | 1 | 1 | 2210-D-6868 | Camshaft RH | Camshafts retrofitted: 2210-W-6575 (RH) 2210-X-6576 (LH) 2210-N-4330 (RH) 2210-P-4332 (LH) |
| | 2 | 1 | 2210-E-6869 | Camshaft LH | | |
| | 3 | 2 | 1229-A-4135 | Washer | | |
| | 4 | 2 | 1229-X-3118 | Washer | | |
| | 5 | 4 | 1205-Q-2123 | Seal | | |
| | 6 | 2 | 1225-N-1158 | Camshaft Bushing | | |
| | 7 | 2 | 1229-C-4137 | Spacer Washer | | |
| | 8 | 2 | 1229-B-4136 | Flat Washer | | |
| | 9 | 2 | 1229-T-4102 | Snap Ring | | |
| | 10 | 2 | 1229-J-868 | Washer | | |
| | 11 | 2 | 1229-B-1848 | Washer | | |
| | 12 | 2 | 1229-X-1116 | Snap Ring | | |
| | 13 | 2 | 1229-R-4100 | Outer Washer | | |
| | 14 | 2 | 1229-S-4101 | Inner Washer | | |
| | 15 | 2 | A2-3105-G-1151 | Retainer Bushing Assy. | | |
| | 16 | 8 | 10-X-1348 | Self Tapping Screw | | |

| KIT 8808 | Meritor 16-1/2" Q Plus™ | ITEM | QTY | PART NUMBER | DESCRIPTION | APPLICATION INFORMATION |
|--|-------------------------|------|---------------|---------------|-------------|--|
|  | | 1 | 1 | 2210-V-7536 | Camshaft RH | Camshafts retrofitted: 2210-A-5331 (RH) 2210-B-5332 (LH) |
| | 2 | 1 | 2210-W-7537 | Camshaft LH | | |
| | 3 | 4 | A-1205-V-1556 | Seal | | |
| | 4 | 2 | 1229-N-2250 | Washer | | |
| | 5 | 4 | 1225-L-1208 | Nylon Bushing | | |
| | 6 | 2 | 1205-G-761 | O-Ring | | |

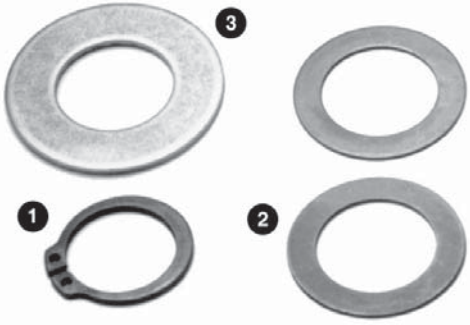
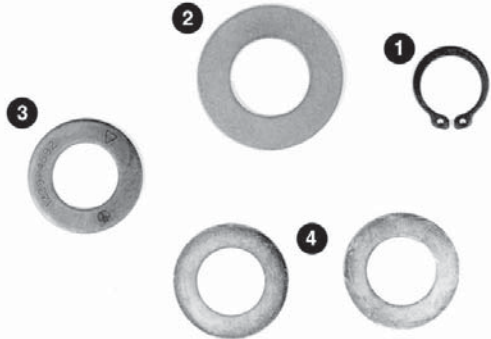


CAMSHAFT RETROFIT KITS TO Q PLUS™ TRAILER RETROFIT KITS

| | ITEM | QTY | PART NUMBER | DESCRIPTION | APPLICATION INFORMATION |
|--|------|-----|-------------|------------------|--|
| KIT 8812 Meritor 16-1/2" Q Plus™  | 1 | 2 | 1229-X-3118 | Washer | Converts P and Q brakes to Q Plus™. Services two P or Q brakes with bolted on bushing or welded on retainers. Trailer retrofit hardware kit. |
| | 2 | 2 | 1229-A-4135 | Washer | |
| | 3 | 4 | 1205-Q-2123 | Seal | |
| | 4 | 2 | 1225-N-1158 | Camshaft Bushing | |
| | 5 | 2 | 1229-C-4137 | Spacer Washer | |
| | 6 | 2 | 1229-B-4136 | Flat Washer | |
| | 7 | 2 | 1229-T-4102 | Snap Ring | |
| | 8 | 2 | 1229-J-868 | Washer | |
| | 9 | 2 | 1229-B-1848 | Washer | |
| | 10 | 2 | 1229-X-1116 | Snap Ring | |
| | 11 | 2 | 1229-R-4100 | Outer Washer | |
| | 12 | 2 | 1229-S-4101 | Inner Washer | |









| | ITEM | QTY | PART NUMBER | DESCRIPTION | APPLICATION INFORMATION |
|---|------|-----|---------------|---------------|---|
| KIT 8813 Meritor 16-1/2" Q Plus™  | 1 | 4 | A-1205-V-1556 | Seal | Services two brakes. Truck and tractor retrofit hardware kit. |
| | 2 | 2 | 1229-N-2250 | Washer | |
| | 3 | 4 | 1225-L-1208 | Nylon Bushing | |
| | 4 | 2 | 1205-G-761 | O-Ring | |

| | ITEM | QTY | PART NUMBER | DESCRIPTION | APPLICATION INFORMATION |
|--|------|-----|---------------|---------------|--|
| KIT 8817 Meritor 16-1/2" Q Plus™  | 1 | 1 | 2210-K-7837 | Camshaft RH | Camshafts retrofitted: 2210-M-5395 (RH) 2210-N-5396 (LH) |
| | 2 | 1 | 2210-L-7838 | Camshaft LH | |
| | 3 | 4 | A-1205-V-1556 | Seal | |
| | 4 | 2 | 1229-N-2250 | Washer | |
| | 5 | 4 | 1225-L-1208 | Nylon Bushing | |
| | 6 | 2 | 1205-G-761 | O-Ring | |










CAMSHAFT SNAP RING KITS

| | | ITEM | QTY | PART NUMBER | DESCRIPTION | APPLICATION INFORMATION |
|---|--|------|-----|-------------|-------------|--|
| KIT 8009 Meritor 1-1/4" - 10 Spline  | | 1 | 1 | 1229-D-2942 | Snap Ring | Supplies thicker snap ring for 1-1/4"-10 spline camshafts on T brakes. |
| | | 2 | 2 | 1229-G-2971 | Washer | |
| | | 3 | 1 | 1229-Q-277 | Washer | |
| | | | | | | |
| KIT 8010 Meritor 1-1/4" - 24 Spline  | | 1 | 1 | 1229-J-4092 | Snap Ring | Services one 1-1/4"-24 camshaft. 15" x 4" Q brakes. |
| | | 2 | 1 | 1229-Q-277 | Washer | |
| | | 3 | 1 | 1229-P-4592 | Washer | |
| | | 4 | 2 | 1229-L-4094 | Washer | |
| | | | | | | |
| KIT 8007 Meritor 1-1/2" - 10 Spline  | | 1 | 1 | 1229-Q-2851 | Snap Ring | Supplies thicker snap ring for 1-1/2"-10 spline camshafts on P and Q brakes. |
| | | 2 | 1 | 1229-S-2697 | Washer | |
| | | 3 | 2 | 1229-X-2936 | Washer | |
| | | | | | | |
| KIT 8008 Meritor 1-1/2" - 28 Spline  | | 1 | 1 | 1229-D-2942 | Snap Ring | Supplies thicker snap ring for 1-1/2"-28 spline camshafts on P and Q brakes. |
| | | 2 | 1 | 1229-N-4590 | Washer | |
| | | 3 | 1 | 1229-S-2697 | Washer | |
| | | | | | | |








CAMSHAFT WASHERS

| | PART NUMBER | I.D. | O.D. | THICKNESS | REPLACES | APPLICATION INFORMATION |
|---|--------------------|----------|--------|-----------|---|--|
|  | 1229-V-516 | 1/2" | 7/8" | 3/64" | | Lockwasher used on mounting bracket for 15" x 4" Q brakes. |
|  | 1229-T-1164 | 17/32" | 1-1/2" | 1/8" | E10851 | Washer used on 14-1/2" x 10" W series coach brakes. |
|  | 1229-L-4094 | 1-5/64" | 1-7/8" | 1/32" | | Washers used on 15" x 4" Q brakes |
| | 1229-K-4093 | 1-5/64" | 1-7/8" | 3/64" | | |
| | 1229-P-4592 | 1-5/64" | 1-7/8" | 7/64" | | |
|  | R627006 | 1-1/8" | 2" | 1/32" | 23470, 23570, 291320, 32176, 67374, B8630, C67374, E1781, L1608, M1409 | Camshaft spacer washer. |
| | R627005 | 1-1/8" | 2" | 1/16" | 291307, 291321, 29646, 32177, 32181, 34528, 35428, 43943, 67375, 820009, B1216, B8607, B8629, C67375, E1782, E580, L1609, M1408, M583 | |
|  | R627028 | 1-1/4" | 1-3/4" | 1/8" | 291331, E2733, L1681, M2636 | For Wagner front axle brake. Plated. Camshaft washer. |
|  | 1229-J-3130 | 1-1/4" | 1-7/8" | 1/32" | B8762, C65381, E5095 | Used on 15" T brakes and 16-1/2" Q and Q Plus™ brakes. |
| | 1229-G-2971 | 1-1/4" | 1-7/8" | 3/64" | 351580, 65373, 820182, B2019, B988, E1113, L889, M748 | Used on 15" T brakes, 16-1/2" Q and Q Plus™ brakes. |
| | 1229-N-4590 | 1-1/4" | 1-7/8" | 7/64" | | Used on 15" T brakes and 16-1/2" Q and Q Plus™ brakes. |
|  | R627032 | 1-1/4" | 2-1/4" | 1/32" | 1005203, 32106, B8753, E5138, L2833, M3354 | Outer shim washer for Eaton 15 x 4 single anchor pin front brakes. |
| | R627031 | 1-1/4" | 2-1/4" | 1/16" | 1005202, 32175, B8752, E5137, L2832, M3353 | Inner shim washer for Eaton 15 x 4 single anchor pin front brakes. |
|  | 1229-W-3117 | 1-17/64" | 1-7/8" | 1/8" | | 15" & 16-1/2" Q Plus™ |








CAMSHAFT WASHERS

| | PART NUMBER | I.D. | O.D. | THICKNESS | REPLACES | APPLICATION INFORMATION |
|---|--------------------|----------|---------------|-----------|---|---|
|  | 1229-Q-277 | 1-9/32" | 2-3/8" | 1/8" | 291330, 66693, B8757, E3476, L1747, M2637 | Used on 15" x 3-1/2" and 4" T brakes and 15" x 4" Q brakes |
| | 1107-D-56 | 1-9/32" | 2-7/16" | 1/32" | 291334, 66695, B8758, C66695, E3475, L1748, M2639 | Used on 15" x 3-1/2" and 4" T brakes. |
|  | 1229-W-2935 | 1-15/32" | 2-1/4" | 1/32" | | Used on 16-1/2" Q brakes |
| | 1229-X-2936 | 1-15/32" | 2-1/4" | 1/32" | E10845 | Used on 15" x 3-1/2" and 4" T brakes, 16-1/4" x 4" T brakes and 16-1/2" P brakes. |
|  | R627033 | 1-1/2" | | 1/16" | 2806380, B8763, E5482, L2963, M3240 | Cam head washer for Eaton "ES" brakes. |
|  | 1229-L-844 | 1-1/2" | 3-39/64" | 1/16" | 291340, B8765, L2926 | Used on 16-1/2" P brakes. Double-clipped with notches. |
|  | 1229-G-1463 | 1-1/2" | 3-7/8" | 1/16" | 11009, 28915, 291310, 291341, 32179, 403108, 65340, B12121, B8608, C65340, E656, L202, M10HN152, M584 | Used on 16-1/2" x 5" P and Q brakes. Double clipped. |
|  | 1229-N-2250 | 1-33/64" | 1.94" x 5.81" | 1/16" | 291339, 32192, 33664, B8718, C67001, E3478, L2927, M2634 | Cam head washer used on 16-1/2" Q brakes. |
|  | 1229-J-868 | 1-33/64" | 2" | 1/16" | 12451, 22134, 2807928, 291309, 403107, 65313, B1221, B8610, C65313, E564, L120, M10HN139, M588 | Used on 12-1/4" x 7-1/2" and 16-1/2" x 7" Q brakes. |
|  | 1229-E-4685 | 1-33/64" | 2.25" x 6.00" | 1/16" | B8781, C63165, C63465, E9071, L3041, L3363 | Cam head washer used on 16-1/2" Q Plus™ brakes. |
|  | 1229-E-811 | 1-33/64" | 3-1/8" | 1/16" | E3473 | Used on 15" T brakes. |











CAMSHAFT WASHERS

| | PART NUMBER | I.D. | O.D. | THICKNESS | REPLACES | APPLICATION INFORMATION |
|---|--------------------|----------|---------|-----------|---|---|
|  | R627024 | 1-17/32" | | 1/16" | 291319, 403150, B8631, E2404, L1372, M10HS115, M1412 | For late model Standard Forge 12 -1/4" brake. Camshaft washer. |
|  | 1229-Q-771 | 1-17/32" | 2-1/4" | 1/32" | 291308, 32180, 65338, B8605, C65339, E581, L192, L193, M580 | Used on 14-1/2" x 4" and 6" W series coach brakes, 16-1/2" P and Q brakes, 16-1/4" T brakes. |
|  | 1229-R-122 | 1-17/32" | 2-1/4" | 1/16" | 32180, 65339, E580, L192, L193 | Washer used on 16-1/2" P and Q brakes and 15" and 16-1/4" T brakes. |
|  | R627025 | 1-17/32" | 2-1/4" | 3/32" | 291326, 403149, B8632, E2409, L1371, M10HS117, M1413 | For late model Standard Forge 12-1/4" brake. Plated. Camshaft washer. Wagner front axle brake |
|  | 1229-H-4090 | 1-17/32" | 2-3/8" | 3/32" | | 15" Q and 16-1/2" P and Q brakes. |
|  | 1229-S-2697 | 1-17/32" | 2-3/8" | 7/64" | 105982, 66699, B8719, C66699, E3479, L2928, M2638 | Washer used on 14-1/2" x 8" and 10" W series brakes, 15" x 3-1/4" and 4" T brakes, 16-1/4" x 4" T brakes, 16-1/2" P and Q brakes and 18" x 7" P brakes. |
| | 1229-S-435 | 1-17/32" | 2-7/16" | 1/16" | E10857 | Washer used on 14-1/2" x 8" and 10" W series coach brakes |
| | 1229-S-747 | 1-9/16" | 2-3/4" | 1/16" | E10843 | Washer used on 14-1/2" x 10" W series coach brakes |
| | 1229-B-4136 | 1-5/8" | 2-1/4" | 1/32" | B8786, C63157, E9074, L3058, L3068 | 16-1/2" Q Plus™ brakes. |
|  | R627002 | 1-5/8" | 2-3/8" | 1/16" | 291322, 32183, 65377, B8619, E1565, L1612, L895, M1045 | |












CAMSHAFT WASHERS

| | PART NUMBER | I.D. | O.D. | THICKNESS | REPLACES | APPLICATION INFORMATION |
|---|--------------------|----------|---------------|-----------|---|--|
|  | 1229-X-3118 | 1-41/64" | 2-1/4" | 1/16" | 105617, 291312, 291327, 66852, B8633, B960, C66852, E2411A, L1297, L2947, M1402, M1402A | Hardened washer for trailer applications used on 12-1/4" Q brakes, 16-1/2" x 7" P and Q brakes and 18" x 7" heavy duty P brakes. |
| | 1229-S-4101 | 1-41/64" | 2-23/64" | 3/32" | B8785, C63158, E9072, L3058 | Used on 16-1/2" P, Q, and Q Plus™ trailer cams. |
|  | 1229-C-4137 | 1-41/64" | 2-3/8" | 11/32" | B8787, C63153, E9075, L2944, M3248 | Used on 16-1/2" P, Q, and Q Plus™ trailer cams. |
|  | 1229-F-4686 | 1-41/64" | 6.00" x 2.25" | 1/16" | | 15" and 16-1/2" Q brakes. |
|  | 1229-A-4135 | 1-21/32" | 2.74" | 1/16" | B961, C63166, E9073, L2945 | Used on 16-1/2" Q Plus™ brakes |
|  | 1229-R-4100 | 1-21/32" | 2-3/4" | 1/16" | B8784, C63164, E6077, L3057 | 16-1/2" P, Q, and Q Plus™ brakes. |
|  | R627043 | 1-11/16" | 2-7/16" | 1/8" | B800, E10800 | |
|  | 1229-B-236 | 1-27/32" | 2-1/2" | 1/16" | 291338, 66692, B8756, C66692, E3471, L1743, M2640 | Cam head washer used on 15" x 3-1/2" and 4" T brakes |










CAMSHAFT WASHERS

| | PART NUMBER | I.D. | O.D. | THICKNESS | REPLACES | APPLICATION INFORMATION |
|---|-------------|----------|----------|-----------|---|---|
|  | 1229-J-4092 | 31/32" | | 3/32" | B793A, B794, C63146, E9076, L2940 | Snap ring used on 15" x 4" Q brakes and 16-1/2" P brakes. |
|  | R627012 | 1-1/32" | | 3/32" | 291303, 32174, 804017, B8722, E3234, L1606, M2649 | Cam snap ring. Eaton. |
|  | R627039 | 1-1/8" | | 3/32" | 291314, 66900, E2734, M2647 | Camshaft lock ring. For Wagner front axle brake. Part not sold separately. Sold only in kit R615011. |
|  | 1229-D-2942 | 1-5/32" | | 3/32" | 32144, 341547, 65423, B669, B8689, C66698, E5093, E669, L331, M1512, M3349 | Snap ring used on 1-1/2"-28 and 1-1/4"-10 camshafts on 15" x 3-1/2" and 4" T brakes and 16-1/2" Q brakes. |
|  | R627027 | 1-5/16" | | 1/16" | 291306, B795, E2720, M2648 | Snap ring used on Wagner drive axle brake. |
|  | 1229-Z-1118 | 1-3/8" | | 3/64" | 291301, 31472, 32186, 65318, 820095, B1716, B8604, C65318, E526, L137, M579 | Snap ring used on 16-1/2" P and Q brakes. Also used on Powershaft. |
|  | 1229-Q-2851 | 1-3/8" | | 7/64" | B8691, C65700, E4736, L2900 | Snap ring used on 1-1/2"-10 camshafts on 15" x 4" T brakes and 16-1/2" and 18" P brakes. |
|  | 1229-D-3124 | 1-15/32" | 1-55/64" | 1/16" | | Snap ring used on 12-1/4" x 7-1/2" and 16-1/2" x 7" Q trailer brakes only. |
|  | 1229-T-4102 | 1-15/32" | 1-55/64" | 5/64" | B8634A, C63148, E9077, L1610, L3364, M3398 | Snap ring used on 16-1/2" P, Q, and Q Plus™ trailer brakes. |
|  | R627017 | 1-1/2" | | 1/16" | 291302, 32187, 65379, B8622, E1569, L897, M1046 | Camshaft lock ring. |







CAMSHAFT BUSHINGS

| | PART NUMBER | I.D. | O.D. | LENGTH | REPLACES | APPLICATION INFORMATION |
|---|--------------------|--------|--------|---------|---|--|
|  | 1225-R-1136 | 1-1/4" | 1-5/8" | 1-3/16" | 291330, B8757, B8760, C63104, E3476, E3877, L1747, L2939, M2637, M3237 | 15" Q brakes. |
|  | 1225-M-897 | 1-1/4" | 1-7/8" | 1-3/16" | 281263, 66890, B8754, C66690, E3447, L1746, M2618 | Acetel resin. For 15" T brakes with 1-1/4" diameter camshafts. |
|  | R627029 | 1-1/4" | 1-7/8" | 1-5/16" | 1006530, 1008220, 32164, B8750, E5127, L2831, M3351 | Eaton 15 x 4 single anchor pin front brake |
|  | 1225-U-151 | 1-1/2" | 1-5/8" | 1-1/2" | 281246, 65437, 820112, B1738, C65437, E712, L303, M1509 | Coach brakes. |
|  | R000943 | 1-1/2" | 1-7/8" | 7/8" | 281235, 281236, 32146, 65368, B8635, E943, L752, M1520 | Yellow half is used on inboard side of spider. White half is used on outboard side of spider. Includes o-rings. For trailer brakes. Not sold separately. |
|  | 1225-C-1277 | 1-1/2" | 1-7/8" | 1-3/16" | | |
|  | 1225-R-512 | 1-1/2" | 1-7/8" | 1-3/16" | 1003000, 281234, 405106, 65441, B667, L330, M1551, M1586 | Bronze with inner spiral groove. Used on P, Q and W series coach brakes. |
|  | 1225-L-1208 | 1-1/2" | 1-7/8" | 1-3/16" | 65329, C63107, E5512, L3029 | For T brakes with 1-1/2 in. diameter cams. Also P, Q and Q Plus™ brakes including coach applications. |
|  | 1225-X-336 | 1-1/2" | 1-7/8" | 1-1/4" | 281234, 405106, L330, M1551, M1586 | |
|  | R657001 | 1-1/2" | 1-7/8" | 1-1/2" | 281231, 405133, 65359, B807, E807, L402, M16HD100, M16HD100X, M2548 | |
|  | R617003 | 1-1/2" | 1-7/8" | 1-1/2" | 281232, 32147, 405129, 65384, B8602, E759, H8602, L1356, L1536, L389, M571B | Spider bushing with zerk fitting. |

CAMSHAFT BUSHINGS

| | PART NUMBER | I.D. | O.D. | LENGTH | REPLACES | APPLICATION INFORMATION |
|---|--------------------|----------|----------|----------|---|--|
|  | R627022 | 1-1/2" | 1-7/8" | 2" | 281258, 405123, E602, L203, M10WJ182, M578, UB1126 | For Spicer and Std. Forge applications |
|  | R617001 | 1-1/2" | 1-7/8" | 2" | 1000035, 11008, 11019, 17958, 23071, 281233, 281257, 32149, 405109, 405126, 65434, 820183, B1581, B2021, B8600, B8600A, B8601, E536, E661, E759, E960, EB1000035, L1356, L166, L1727, L266, M10WJ178, M571, M571A | |
|  | 1225-X-804 | 1-1/2" | 2-1/16" | 1-23/32" | 281260, 32706, 38052, 67018, B8665, C67018, E2551, L1641, M1400 | Plastic bushing for 16-1/2" P and Q brakes. |
|  | 1225-R-1058 | 1-1/2" | 2-5/64" | 1" | 22341, 271197, 32161, 66646, B8636, C66646, E2361, L1730, M1550 | Camshaft support bracket bushing for TK, TKL, TKN, TL, TN and TQ pre-121 (5000 series) and post-121 (4000 and 6000 series), TKD, TKLD and TLD trailer axles with 16-1/2" P and Q brakes. |
|  | R617008 | 1-1/2" | 2-15/32" | 1-1/2" | 11109, 271191, 32160, 67358, B8699, E2517, L1711, M10WJ100, M2622 | |
|  | R617002 | 1-1/2" | 2-31/64" | 1-3/4" | 271195, 32159, 405128, 65476, B8606, E2102, L1199, M10WJ107, M10WJ212X, M582 | With zerk fitting. |
|  | R617006 | 1-1/2" | 2-21/32" | 2-1/2" | 1002262, 271196, 32715, 67362, B8688, E2695, L1598, M2623 | Eaton 501 axle with zerk fitting. |
|  | R627009 | 1-1/2" | 2-3/4" | 2" | 271199, 67361, 820185, B2028A, B8616, E1385, L1594, M999 | |
|  | R617007 | 1-19/32" | 2-7/8" | 2-1/2" | 271198, 32157, 65380, B8623, E1571, L898, M1047 | Pro-Par® axle |

CAMSHAFT BUSHINGS

| | PART NUMBER | I.D. | O.D. | LENGTH | REPLACES | APPLICATION INFORMATION |
|---|--------------------|--------|---------|---------|--|--|
|  | R657003 | 1-5/8" | | | 281237, 32150, 65378, E1567, L896, M1049 | |
|  | 1225-B-834 | 1-5/8" | 1-7/8" | 1-1/8" | 19784, 281241, 32154, B8627, E2408, L1296, M1404 | TK, TKL, TKN, TL, TN and TQ post-121 (4000 and 6000 series) trailer axles without air suspension, with 16-1/2" P or Q brakes Inner camshaft bushing. Use with 1225-A-833. |
|  | 1225-J-1362 | 1-5/8" | 1-7/8" | 1-3/16" | | Cam bushing for LX/MX 500 series |
|  | 1225-N-1158 | 1-5/8" | 2" | 1" | B8782, C63112, E6080, L2942, M3247 | 16-1/2" Q Plus™ brakes 4000 and 6000 axle series. Also used on TQ series trailer axles. |
|  | R627034 | 1-5/8" | 2" | 1-1/2" | B805, E9789, L3127, M16D106 | Spicer |
|  | R617005 | 1-5/8" | 2-1/32" | 1-3/16" | 1002248, 1008412, 281238, 32714, 67364, B8698, E2690A, L1597, L2382, M2621 | Trailer spider nylon bushing. |
|  | R617009 | 1-5/8" | 2-1/2" | 1-1/2" | 271194, 32158, 66645, B8624, E1577A, L1191, M1058 | Zytel 101, Fruehauf, Pro-Par®. |
|  | 1225-A-833 | 1-7/8" | 2" | 1-5/16" | 19419, 281240, 32153, B8628, E2407, L1294, M1405 | TK, TKL, TKN, TL, TN and TQ post-121 (4000 and 6000 series) trailer axles with 16-1/2" P and Q brakes. Also for 12-1/4" Q brakes on trailer axles. Outer camshaft bushing. Use with 1225-B-834 or A-1225-M-1053. |

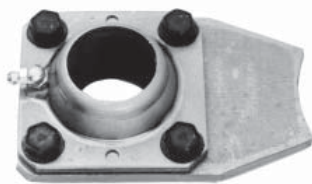
CAMSHAFT BUSHING SPACERS



| PART NUMBER | I.D. | O.D. | LENGTH | REPLACES | APPLICATION INFORMATION |
|-------------|---------|----------|----------|----------|---|
| 1244-R-798 | 1-9/16" | 1-11/16" | 1-25/32" | | 14-1/2" x 4" and 6" W brakes. |
| 2258-E-499 | 1-5/8" | 1-13/16" | 1-13/64" | E10849 | Camshaft bushing spacer spring for 14-1/2" x 8" type 1 W brakes. Use with A-3211-T-2880 and A-3211-U-2881 spiders only. |







CAMSHAFT SUPPORT BRACKET AND BUSHING FOR TRAILER AXLES

7



| PART NUMBER | REPLACES | APPLICATION INFORMATION |
|---------------|---|--------------------------------------|
| A-3299-T-5844 | 271200, 301368, 301373, 32155, 405125, 65330, A2477A, B8603, B8736A, C63143, E2477A, E2477B, E535, L1642, L167, M2627, M572 | TN trailer axles, uses A-3105-V-282. |



CAMSHAFT SUPPORT BRACKET RETAINER AND BUSHING ASSEMBLIES

| PART NUMBER | REPLACES | APPLICATION INFORMATION |
|--|---|--|
|  <p>A-3105-D-1148</p> | E9784 | TN, TP and TQ trailer axles |
|  <p>A-3105-K-219</p> | C63142, E9783, L3224 | TN, TP and TQ trailer axles |
|  <p>A2-3105-G-1151</p> | E1318A | Retainer and bushing assembly for Meritor trailer cam brakes |
|  <p>R630002</p> | 209999019, B8733, E2103, L1718, M12WH112X, M1556 | Spicer and Standard Forge 12-1/4" brakes. Includes bushing. |
|  <p>R630003</p> | 209108001, 209999018, 301357, B8714, E2104, H8714, L1198, M1554, M16WH101X, M16WH113X | Spicer and Standard Forge 16-1/2" brakes. Includes bushing. For retainer plates only, order R630005. |
|  <p>R630006</p> | 301364, 301392, B8728, E4586, L2712, M2595 | Axle bracket for Fruehauf 16-1/2" brakes. Used in R630009 bracket assembly. |

CAMSHAFT SUPPORT BUSHING RETAINER











| PART NUMBER | REPLACES | APPLICATION INFORMATION |
|--|---|---|
|  <p>1205-N-430</p> | 301362, 65565, 66552, B8713, C65565, E603, L242, L899, M1048, M1572 | Pre-121 TK, TKN, TL, TN and TQ 16-1/2” P and Q brakes. |

CAMSHAFT SUPPORT BOLT-ON BUSHINGS









| PART NUMBER | REPLACES | APPLICATION INFORMATION |
|---|--|--|
|  <p>A-3105-L-1078</p> | B8783, C63140, E6076, H8783, L3033, L3042 | For trailers with fabricated spiders. Also in repair Kit 1760 and Kit 8289. Use with 10-X-1421 bolt. |
|  <p>A1-3105-Q-1213</p> | | For trailers with fabricated spiders. Also in repair Kit 8089 and Kit 8091. Use with 10-X-1421 bolt. |

7

CAMSHAFT SEALS AND O-RINGS

| | PART NUMBER | I.D. | O.D. | THICKNESS | REPLACES | APPLICATION INFORMATION |
|---|---------------|----------|----------|-----------|--|--|
|  | A-1205-D-2110 | 1-3/16" | 1-3/4" | 1/4" | B8761, L2938, M3236 | Seal assembly used on 15" x 4" Q brakes. |
|  | 1205-N-924 | 1-13/64" | 1-3/4" | 9/64" | 281267, 291267, 66851, B8613, E1272, L1768, M825 | Seal used on 1-1/2" cams for pre- and post-121 RL, RN, RQ, TK, TKD, TKL, TKLD, TL, TLD, TN and TQ 16-1/2" x 7", 8-5/8" and 10" P and Q brakes. |
|  | A-1205-P-1602 | 1-13/64" | 2-1/16" | 1/4" | 2291283, 66691, B8755, C66691, E3469, L1744, M2630 | Seal assembly used on 15" T brakes with 1-1/4" camshafts. |
|  | A-1205-S-1943 | 1-1/4" | 1-11/16" | 5/32" | 12086, 22133, 351582, 65302, B501, C65302, E1269, L105 | Nitrile, Elastomer, used on P series brakes. |
|  | R627030 | 1-1/4" | 1-7/8" | 1/16" | 1005846, 32173, B8751, E5128, L2830, M3352 | Eaton 15 x 4 single anchor pin front brake. |
|  | 1205-M-1105 | 1-7/16" | 1-7/8" | 13/64" | | Oil seal assembly used on 1-1/2" camshafts for RN trailer axles |
|  | A-1205-V-1556 | 1-7/16" | 2-1/16" | 1/4" | 23802, 291270, 291281, 32165, 408100, 408103, 65352, 66563, 820064, B1662, B8609, C65352, E654, L1726, L1728, L329, M10HH134, M2633, M587A | Seal assembly used on 1-1/2" camshafts for 14-1/2" x 10" W series, 15" and 16-1/4" T brakes and 16-1/2" P and Q brakes including coaches. |
|  | 1205-X-726 | 1-15/32" | 1-7/8" | 7/32" | 22706, L1307 | O-ring used on 1-1/2" camshafts on pre-121 RL, RN, RQ, TKD, TKLD and TLD 16-1/2" x 7", 8-5/8" and 10" P and Q brakes. Also post-121 TK, TKL, TKN, TL, TN and TQ 12-1/4" x 7-1/2" Q brakes. |
|  | R627018 | 1-1/2" | 1-7/8" | 3/16" | 25263, 291269, 32166, 32169, 32172, 408101, 65383, 820110, B8612, E1416, L1770, M16HH100, M824 | Seal used on 1-1/2 cams on pre-121 RL, RN, and RQ 16-1/2" x 7", 8-5/8" and 10" P and Q brakes. |
|  | R627008 | 1-1/2" | 1-7/8" | 1/4" | 1008047, 291266, 40864, 79903, 820111, B1736, B8612A, E1416A, L966, M824A | |

CAMSHAFT SEALS AND O-RINGS

| | PART NUMBER | I.D. | O.D. | THICKNESS | REPLACES | APPLICATION INFORMATION |
|---|----------------------|----------|----------|-----------|---|---|
|  | R627026 | 1-1/2" | 2" | 3/16" | 291282, 66891, B717, E2717, L1687, M2632 | Wagner drive axle brake. |
|  | A-1205-F-136 | 1-1/2" | 2-1/4" | 1/4" | E10848 | Oil seal assembly used on 1-1/2" camshafts on 14-1/2" x 4", 6", 8" and 10" type 1 W brakes. |
|  | A-1205-K-2533 | 1-35/64" | 2-1/16" | 7/32" | | Camshaft seal (orange) for Meritor LX/MX 500 brakes. |
|  | 1205-V-1452 | 1-39/64" | 1-3/4" | 9/64" | 24898, 281275, 291275, 32168, 65494, B8626, C65494, E2406, L1295, M1403 | O-ring used on RL, RN and RQ post-121 16-1/2" x 7", 8-5/8" and 10" P and Q brakes. Also TK, TKD, TKL, TKLD, TKN, TL, TLD, TN and TQ post-121 12-1/4" x 7-1/2" Q brakes and 16-1/2" P, Q and Q Plus™ brakes. |
|  | 1205-Q-2123 | 1-5/8" | 2" | 15/64" | 65491 | Grease seal used on 12-1/4" x 7-1/2" trailer axle Q brakes and 16-1/2" P, Q and Q Plus™ brakes with bolt on bushing. |
|  | R627015 | 1-5/8" | 2" | 1/4" | 1002279, 24532, 291271, 291274, 32167, 32717, 67363, B8625, B8721, E2405, L1293, L1611, L2941, M1401, M2631 | Use on cam head side. For Meritor 4000-6000 series axles and Eaton "501" series brake. |
|  | 1205-G-761 | 1-7/8" | 2-1/16" | 1/8" | 271203, 301375, B8690, C65750, E3859, L1662, L3056, M1095 | O-ring for 16-1/2" x 7" used to retrofit Q to Q Plus™ brakes. Rubber chamber bracket gasket, used on 16-1/2" and 18" P and Q brakes. |
|  | 1205-Z-2652 | 2-7/32" | 2-45/64" | 11/32" | | Camshaft seal for Meritor LX/MX 500 series 16-1/2" Q Plus™ brakes with stamped spider. |

CAMSHAFT FELTS



| PART NUMBER | I.D. | O.D. | THICKNESS | REPLACES | APPLICATION INFORMATION |
|----------------|--------|---------|-----------|---|---|
| 5-X-640 | 1-1/4" | 1-5/8" | 1/8" | 351576, 65303, B901, C63101, E537, L109, M641 | Anchor pin felt. Use with 1205-K-193 retainer on 16-1/2" fabricated P brakes. |
| 5-X-478 | 1-3/4" | 2-5/16" | 15/64" | | Camshaft felt. |

CAMSHAFT RETAINERS



| PART NUMBER | I.D. | O.D. | THICKNESS | REPLACES | APPLICATION INFORMATION |
|-------------------|--------|----------|-----------|---|--|
| 1205-K-193 | 1-1/4" | 1-21/32" | 1/8" | 11005, 351577, 403101, 65304, B011, B1211, C63102, E563, L110, M10HN153, M642 | Retainer, use with 5-X-640 felt on 16-1/2" x 5" and 7" P brakes. |

SECTION 8

INDEX

Slack Adjusters and Related Parts

| | |
|--|------|
| ASA Information | 8-ii |
| Manual Slack Adjuster Alternate Number Guide | 8-25 |
| Manual Slack Adjuster Clevises | 8-26 |
| Manual Slack Adjusters | 8-23 |

Meritor ASA (Stroke Sensing)

| | |
|--|-----|
| Automatic Slack Adjuster Assemblies..... | 8-6 |
|--|-----|

Meritor ASA (Stroke Sensing) Service Parts

| | |
|--|------|
| Actuator Rods..... | 8-17 |
| Automatic Slack Adjuster Repair Kits | 8-11 |
| Boot Strap | 8-17 |
| Boots | 8-17 |
| Bushings..... | 8-16 |
| Clevis Pin Clips | 8-16 |
| Clevis Pin Helper Springs | 8-16 |
| Clevis Pins | 8-15 |
| Clevises & Clevis Kits | 8-15 |
| Cotter Pins..... | 8-16 |
| Grease Fitting..... | 8-17 |
| Guide Pawl..... | 8-16 |
| O-Rings | 8-17 |
| Piston Actuators | 8-17 |
| Snap and Lock Rings..... | 8-16 |

Meritor ASA (Clearance Sensing)

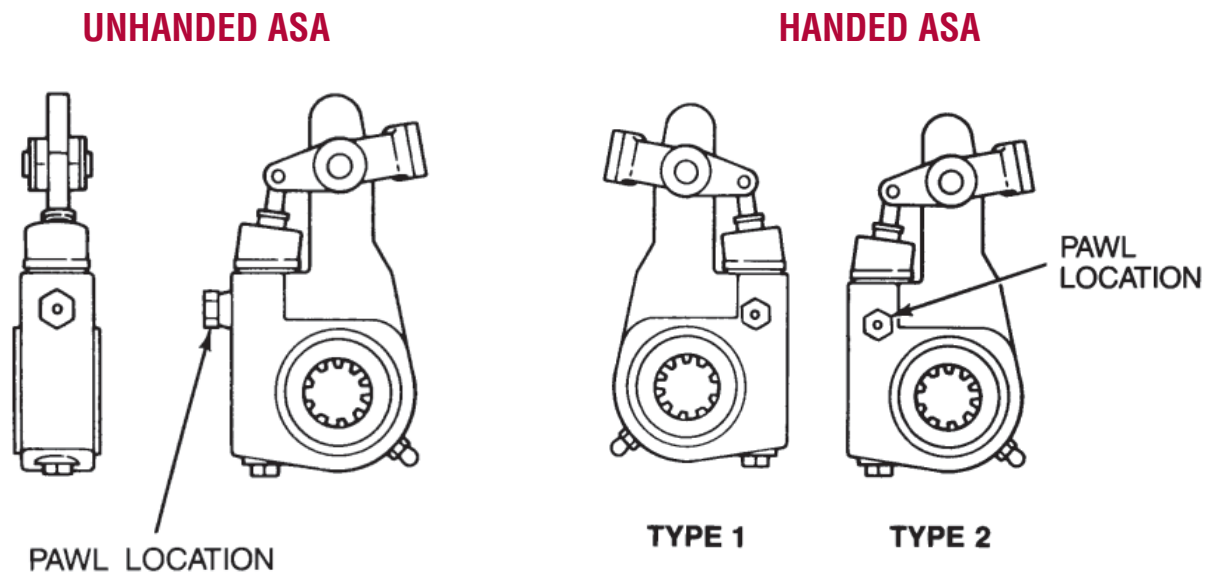
| | |
|---|------|
| Drive Axle Applications for 16-1/2" & 18" Brakes..... | 8-18 |
| Hardware | 8-21 |
| Service Bracket Kits..... | 8-22 |
| Steer Axle (Non-Drive) Applications for 15", 16-1/4" & 16-1/2" Brakes | 8-19 |
| Trailer Axle Applications for 12-1/4" Brakes | 8-20 |
| Trailer Axle Applications for 16-1/2" Brakes | 8-20 |

CHOOSING THE CORRECT MERITOR AUTOMATIC SLACK ADJUSTER

FIRST: Make sure there is room for the ASA to operate!

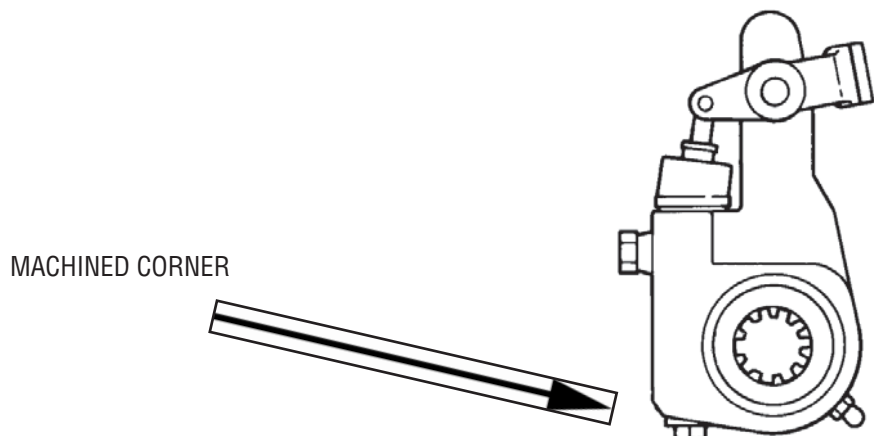
The **Unhanded** design slack is simply one in which the pawl assembly has been moved to the “edge” of the slack. The **Unhanded** design purpose is to eliminate having to stock pairs of slacks. In some cases, this pawl location won't be the best choice for clearance with other components in the axle area or for service accessibility to the ASA. When this occurs, use a Handed design.

The **Handed** design locates the pawl on the main body of the ASA. These ASA's are available as Type One and Type Two pawl mountings to fit each side of the axle and aid in accessibility in service and clearance with other axle components.



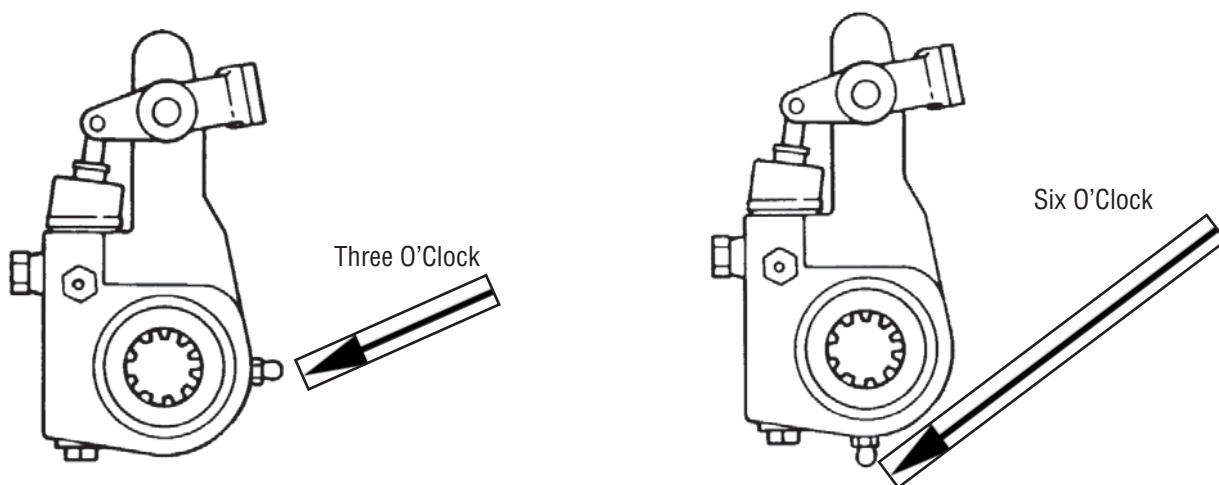
SPECIAL ASA DESIGNS FOR CLEARANCE CIRCUMSTANCES

Machined corner ASAs have just that, a slightly machined off corner. This was done on certain applications where additional clearance was necessary. These machined corner numbers may substitute another slack of the same attributes without a machined corner.



8

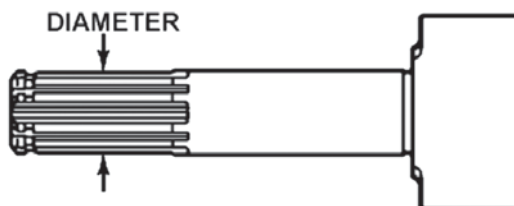
Relocated grease fittings are another attribute for some slack applications. This relocated grease fitting came about when the OEM application required the zerk to be at a different location other than the normal "4:30 position". 3 O'clock and 6 O'clock are the two other options available for some applications.



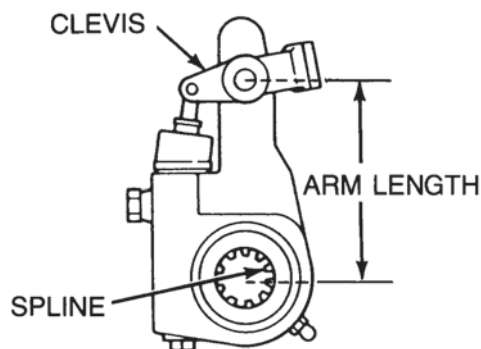
INFORMATION NEEDED TO SELECT THE RIGHT ASA

ONCE THE CLEARANCE AND HANDED ISSUES ARE DETERMINED, ASA SELECTION IS EASY! YOU JUST NEED THE FOLLOWING INFORMATION ABOUT THE VEHICLE APPLICATION:

1. SPLINE DIAMETER AND SPLINE COUNT OF THE CAMSHAFT

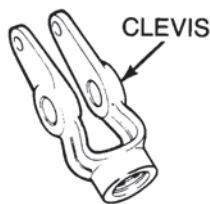


2. ARM LENGTH Distance from center of cam to the main clevis center hole.

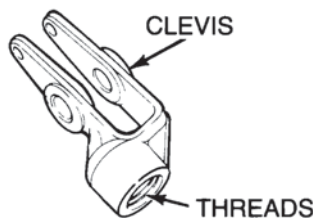


3. CLEVIS CONFIGURATION Clevises are either straight or offset. In some cases a helper spring will be needed for use with the clevis. This will occur with the smaller chamber types 9 and 12.

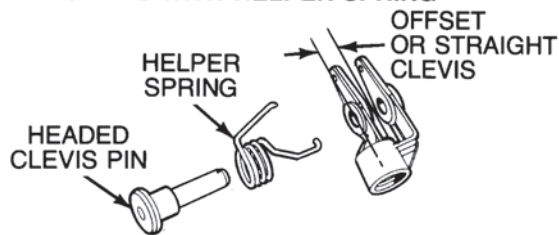
STRAIGHT CLEVIS



OFFSET CLEVIS



CLEVIS WITH HELPER SPRING



4. CLEVIS THREAD SIZE This will correspond to the air chamber push rod. Generally, chamber sizes 9, 12 and 16 will use a 1/2"-20 thread clevis, and chamber sizes 20, 24, 30 and 36 will take a 5/8"18 thread clevis. All aftermarket clevises are threaded. The "quick connect" clevis is for OEM production assembly use only.

5. THE AIR CHAMBER SIZE AND TYPE OF BRAKE The Meritor ASA adjustment is precision tuned by the piston in the actuator adjusting sleeve. There are two pistons of differing lengths depending upon the chamber application and will impact two things:

- A) When the actual brake lining **adjustment** is necessary
- B) **Adjusted Chamber Stroke** length visible to the operator

SELECTION TIPS

- For **drum brakes**, the most common drive axle chamber size is a type 30. Heavy application will use type 36. Front axle will typically use types 9 through 20.
- For **Meritor air disc brakes**, a 5-1/2" arm length, 1-1/2"-28 spline is standard. The air chambers will vary from type 20 to type 30. Type 24 and 30 are typical chamber sizes for rear air disc brakes.
- **Please Note: Both wheelends for each axle should have compatible ASA part numbers! DO NOT mix different Meritor part numbers on an axle because they may have different pistons and therefore different adjusted lining clearances.**

CHAMBER SIZE AND PISTON LENGTH CAN SUBSTANTIALLY IMPACT STROKE LENGTH

- All brakes have normal deflection, lining running clearance, and thermal expansion variances.
- Below is an example of a "typical" drum brake setup running at 600 degrees braking temperature and the corresponding maximum stroke increments for each activity taking place in the brake:

.80" stroke = Drum thermal expansion
.72" stroke = Normal lining running clearance
.27" stroke = Deflection of brake and drum

1.79" stroke = Measurable to inspectors

(If 2.0" is the established acceptable stroke, the vehicle is within the legal limits.)

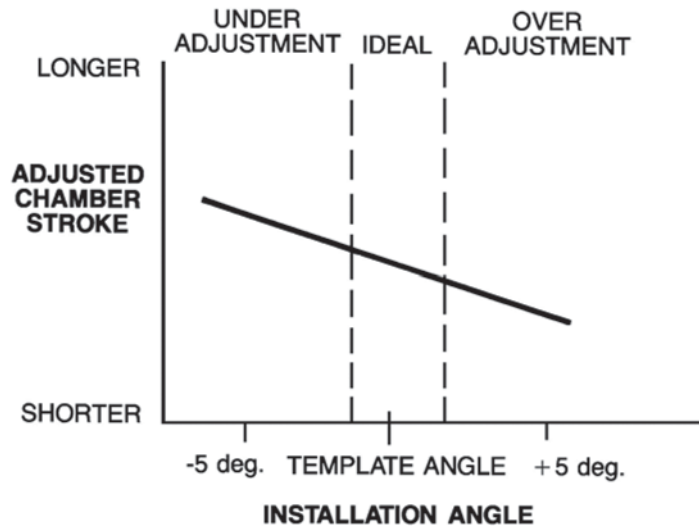
- If the proper ASA part number with the corresponding piston length for that chamber application is NOT used, the chamber push rod stroke and therefore the adjustment interval will be affected. To what degree depends upon the length variance between the correct piston for that chamber application and the wrong one.
- Each change in length can represent up to a .10 inch difference in push rod stroke. The .10 difference, **in addition** to the above normal effects on stroke, could put the vehicle out of service for an inspection violation.
- **When you are selecting an ASA, make sure that the chamber size corresponds to the ASA part number. Note: ASA selection for air disc brakes is slightly different than for drum brakes. Please pay attention to the ADB notations in the parts catalogs and wall charts.**

INSTALLATION TIPS

Once you've selected the right ASA type and part number, it is important to instruct the customer on installation of the ASA. There are installation templates in the box with the slack adjuster. Each installation template is designed to line up the clevis, push rod, and arm at a particular angle so that the most efficient adjustment of the brakes is obtained. Should the installation angle be off from the required template angle for that application, over adjustment or under adjustment will result - and therefore push rod lengths may be off from the acceptable lengths!

USE OF THE TEMPLATE WILL GIVE YOU THE IDEAL ADJUSTMENT

An example of the relationship is as follows:



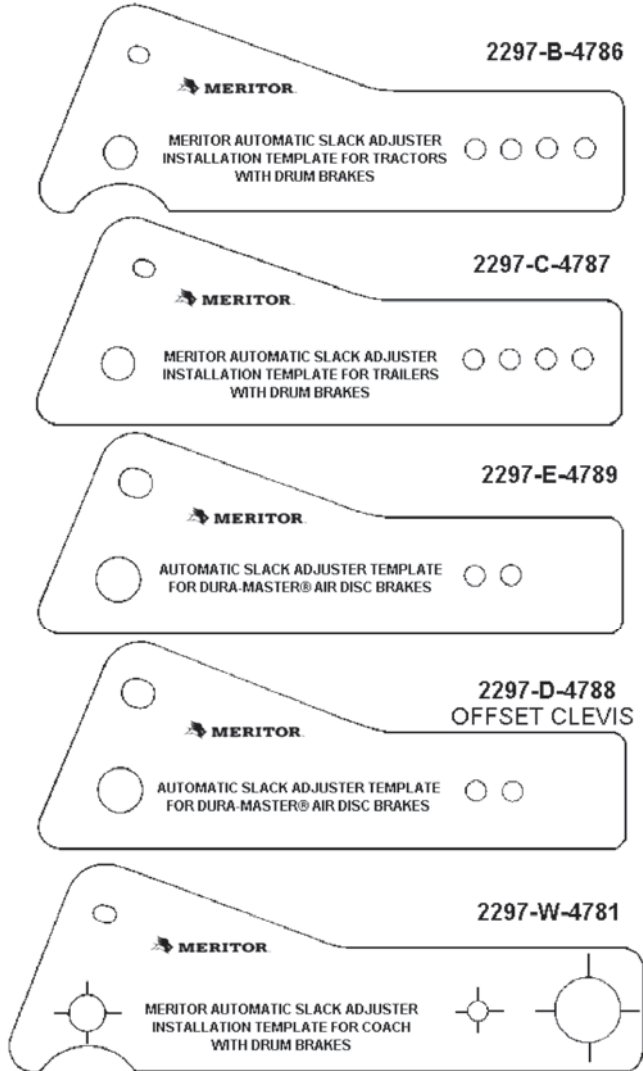
This is why the installation templates should be used and the correct part number/piston/chamber relationship needs to be maintained.

The templates are packaged with the ASA and are listed below with their corresponding applications:

| TEMPLATE COLOR | NUMBER | APPLICATION |
|-----------------------|---------------|--------------------------------------|
| BROWN | 2297-B-4786 | TRACTORS WITH DRUM BRAKES |
| TAN/LIGHT BROWN | 2297-C-4787 | TRAILERS WITH DRUM BRAKES |
| GREEN | 2297-D-4788 | AIR DISC BRAKES WITH OFFSET CLEVIS |
| YELLOW | 2297-E-4789 | AIR DISC BRAKES WITH STRAIGHT CLEVIS |
| WHITE | 2297-W-4781 | COACH APPLICATIONS WITH DRUM BRAKES |

The Meritor ASA field maintenance manual #MM4 is available via Literature on Demand at meritor.com for specific installation information.

INSTALLATION TEMPLATES

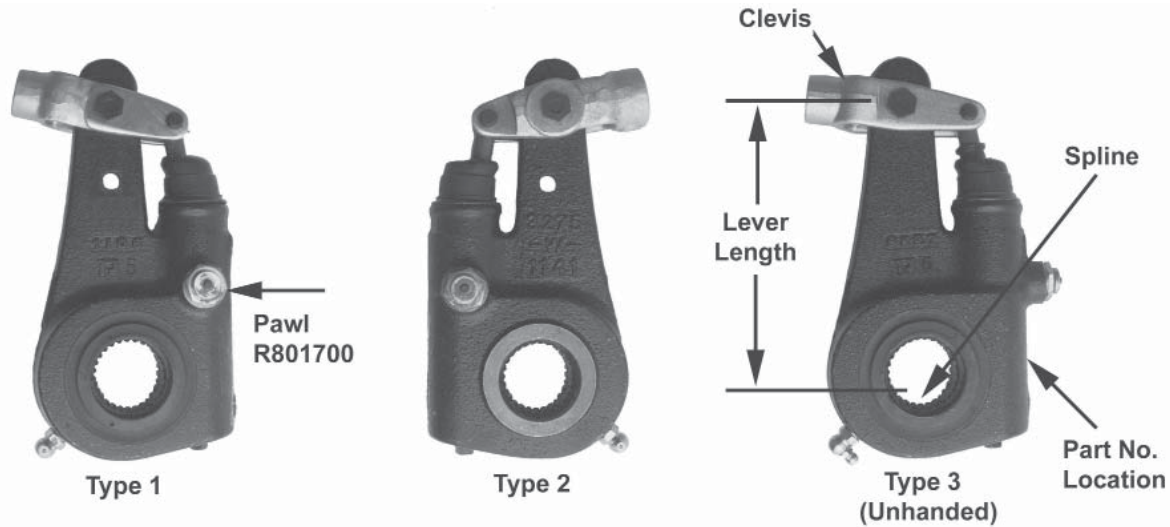


FEDERAL ADJUSTED BRAKE CHAMBER STROKE LIMITS

| CHAMBER TYPE (SIZE) | MAXIMUM STROKE AT WHICH BRAKE MUST BE ADJUSTED.* 80-90 PSI (550-620 kPa) AIR PRESSURE IN THE AIR CHAMBER, (CLAMP TYPE AIR CHAMBERS) | |
|---------------------------|--|---------------------|
| | CAM BRAKES | DISC BRAKES* |
| 9 | 1-3/8 inches (35mm) | not used |
| 12 | 1-3/8 inches (35mm) | not used |
| 16 | 1-3/4 inches (44mm) | 2 inches (51mm) |
| 20 | 1-3/4 inches (44mm) | 2 inches (51mm) |
| 24 | 1-3/4 inches (44mm) | 2 inches (51mm) |
| 24 long stroke | 2 inches (51mm) | 2-1/4 inches (57mm) |
| 30 | 2 inches (51mm) | 2-1/4 inches (57mm) |
| 36 | 2-1/4 inches (57mm) | not used |

* The U.S. Department of Transportation, Federal Highway Administration has issued the above specifications for cam-type brakes. Meritor has petitioned the DOT to consider the disc brake recommended strokes. No ruling has yet been issued on the Meritor petition. Currently the DOT recommends the same strokes as cam brakes.

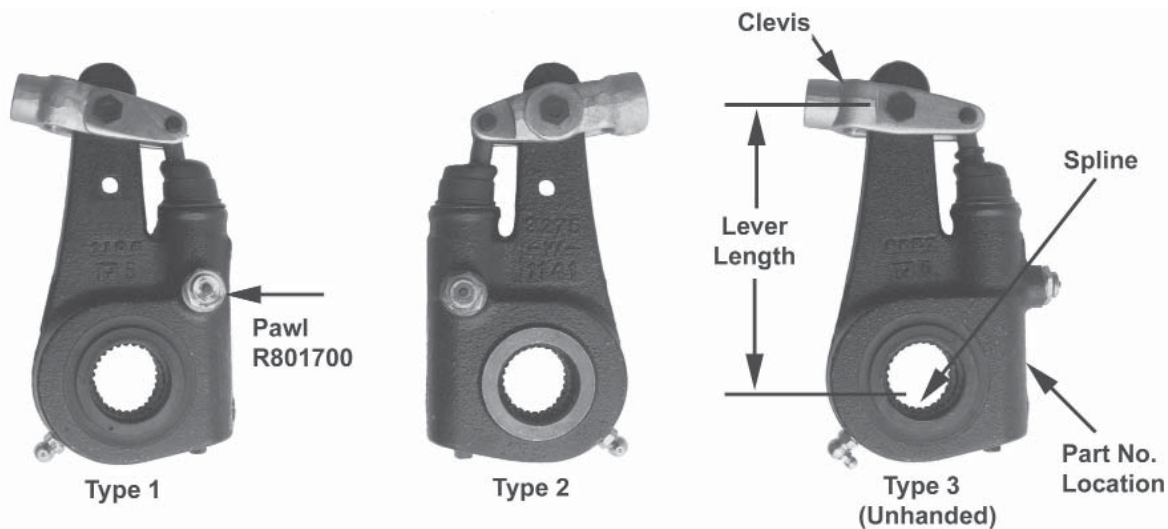
MERITOR AUTOMATIC SLACK ADJUSTERS (STROKE SENSING)



Note: Type 1, Type 2 and Type 3 indicate the location of the pawl assembly on the slack adjuster. The slack adjuster must be installed so the pawl can be removed during maintenance.

| CLEVIS PART NUMBER | UNCLEVIS PART NUMBER | CLEVIS KIT | TYPE | SPLINE DIA./ NO. TEETH | LEVER LENGTH | CLEVIS TYPE | CLEVIS THREAD | USE WITH CHAMBER SIZE | REPLACES | COMMENTS |
|--------------------------|-------------------------|------------|------|---------------------------|-----------------|----------------|------------------|-----------------------------|-----------------|------------------------------|
| R802002 | | R810015 | 1 | 1-1/4"-10 | 5" | Offset | 1/2"-20 | 12, 9 | A25-3275-X-1142 | Black piston. |
| R802003 | | R810016 | 2 | | | | | | A25-3275-Y-1143 | Drum brake. |
| R802032 | R803004 | R810006 | 1 | 1-1/4"-10 | 5-1/2" | Offset | 1/2"-20 | 16 | A6-3275-Z-1144 | Red piston. |
| R802033 | R803005 | R810006 | 2 | | | | | | A6-3275-A-1145 | Drum brake. |
| R802030 | R803004 | R810007 | 1 | | | | | | A6-3275-Z-1144 | |
| R802031 | R803005 | R810007 | 2 | 1-1/4"-10 | 5-1/2" | Straight | 1/2"-20 | 16 | A6-3275-A-1145 | Red piston. |
| R801001 | R803101 | R810007 | 3 | | | | | | A6-3275-H-1152 | Drum brake. |
| R802022 | | R810015 | 1 | 1-1/4"-10 | 5-1/2" | Offset | 1/2"-20 | 12, 9 | A3-3275-Z-1144 | Black piston. Drum brake. |
| R802020 | | R810013 | 1 | 1-1/4"-10 | 5-1/2" | Straight | 1/2"-20 | 12, 9 | A3-3275-Z-1144 | Black piston. |
| R802021 | R803003 | R810014 | 2 | | | | | | A3-3275-A-1145 | Drum brake. |
| R802048 | | R810008 | 1 | 1-1/4"-10 | 5-1/2" | Offset | 5/8"-18 | 20 | | Green piston. |
| R802049 | | R810008 | 2 | | | | | | | Drum brake. |
| R802042 | R803004 | R810008 | 1 | 1-1/4"-10 | 5-1/2" | Offset | 5/8"-18 | 20 | A6-3275-Z-1144 | Red piston. |
| R802043 | R803005 | R810008 | 2 | | | | | | A6-3275-A-1145 | Drum brake. |
| R802040 | R803004 | R810009 | 1 | | | | | | A6-3275-Z-1144 | |
| R802041 | R803005 | R810009 | 2 | 1-1/4"-10 | 5-1/2" | Straight | 5/8"-18 | 20 | A6-3275-A-1145 | Red piston. |
| R801004 | R803101 | R810009 | 3 | | | | | | A6-3275-H-1152 | Drum brake. |
| R802062 | R803010 | R810006 | 1 | 1-1/4"-24 | 5-1/2" | Offset | 1/2"-20 | 16 | A14-3275-Z-1144 | Red piston. |
| R802063 | R803011 | R810006 | 2 | | | | | | A14-3275-A-1145 | Drum brake. |
| R802060 | R803010 | R810007 | 1 | | | | | | A14-3275-Z-1144 | |
| R802061 | R803011 | R810007 | 2 | 1-1/4"-24 | 5-1/2" | Straight | 1/2"-20 | 16 | A14-3275-A-1145 | Red piston. Drum brake. |
| R801002 | R803102 | R810007 | 3 | | | | | | A11-3275-H-1152 | |
| R802053 | | R810016 | 2 | 1-1/4"-24 | 5-1/2" | Offset | 1/2"-20 | 12, 9 | A11-3275-A-1145 | Black piston. Drum brake. |
| R802050 | | R810013 | 1 | 1-1/4"-24 | 5-1/2" | Straight | 1/2"-20 | 12, 9 | A11-3275-Z-1144 | Black piston. Drum brake. |
| R801003 | R803102 | R810009 | 3 | 1-1/4"-24 | 5-1/2" | Straight | 5/8"-18 | 16, 20 | A11-3275-H-1152 | Red piston. Drum brake. |
| | R803010 | R810008 | 1 | | | | | | A14-3275-Z-1144 | |
| | R803011 | R810008 | 2 | 1-1/4"-24 | 5-1/2" | Offset | 5/8"-18 | 20 | A14-3275-A-1145 | Red piston. Drum brake. |

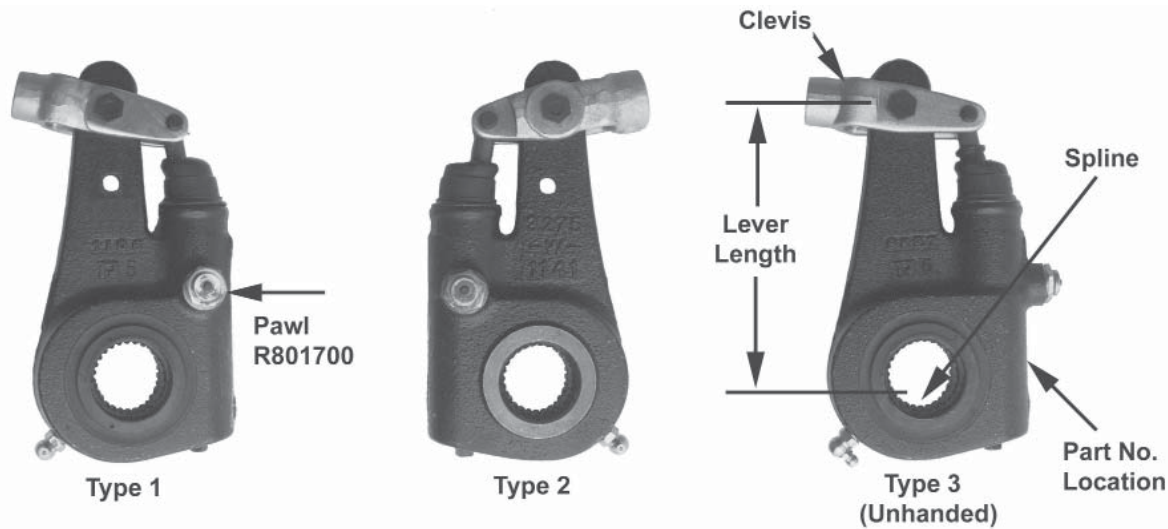
MERITOR AUTOMATIC SLACK ADJUSTERS (STROKE SENSING)



Note: Type 1, Type 2 and Type 3 indicate the location of the pawl assembly on the slack adjuster. The slack adjuster must be installed so the pawl can be removed during maintenance.

| CLEVIS PART NUMBER | UNCLEVIS PART NUMBER | CLEVIS KIT | TYPE | SPLINE DIA./ NO. TEETH | LEVER LENGTH | CLEVIS TYPE | CLEVIS THREAD | USE WITH CHAMBER SIZE | REPLACES | COMMENTS |
|--------------------|----------------------|------------|------|------------------------|--------------|-------------|---------------|-----------------------|-----------------|---|
| R802656 | R803070 | R810008 | 1 | 1-1/4"-24 | 5-1/2" | Offset | 5/8"-18 | 20 | A4-3275-E-1201 | Red piston. Drum brake. Special grease fitting location. |
| R802657 | R803071 | R810008 | 2 | | | | | | A4-3275-F-1202 | |
| R802070 | R803010 | R810009 | 1 | 1-1/4"-24 | 5-1/2" | Straight | 5/8"-18 | 20 | A14-3275-Z-1144 | Red piston. Drum brake. |
| R802071 | R803011 | R810009 | 2 | | | | | | A14-3275-A-1145 | |
| R802074 | | R810009 | 1 | 1-1/4"-24 | 5-1/2" | Straight | 5/8"-18 | 24 | A75-3275-Z-1144 | Yellow piston. Drum brake. |
| R802075 | | R810009 | 2 | | | | | | A75-3275-A-1145 | |
| | R803016 | R810015 | 1 | 1-1/2"-10 | 5" | Offset | 1/2"-20 | 12, 9 | A26-3275-X-1142 | Black piston. Drum brake. |
| | R803016 | R810013 | 1 | 1-1/2"-10 | 5" | Straight | 1/2"-20 | 12, 9 | A26-3275-X-1142 | Black piston. Drum brake. |
| R802280 | | R810009 | 1 | 1-1/2"-10 | 5" | Straight | 5/8"-18 | 36 | A27-3275-X-1142 | Green piston. Drum brake. |
| R802281 | R803019 | R810009 | 2 | 1-1/2"-10 | 5" | Straight | 5/8"-18 | 36 | A27-3275-Y-1143 | Drum brake. |
| R802300 | R803022 | R810007 | 1 | 1-1/2"-10 | 5-1/2" | Straight | 1/2"-20 | 16 | A77-3275-Z-1144 | Red piston. Drum brake. |
| R802301 | R803023 | R810007 | 2 | | | | | | A77-3275-A-1145 | |
| R802290 | | R810013 | 1 | 1-1/2"-10 | 5-1/2" | Straight | 1/2"-20 | 12, 9 | A76-3275-Z-1144 | Black piston. Drum brake. |
| R802291 | | R810014 | 2 | | | | | | A76-3275-A-1145 | |
| R802310 | R803022 | R810009 | 1 | 1-1/2"-10 | 5-1/2" | Straight | 5/8"-18 | 20 | A77-3275-Z-1144 | Red piston. Drum brake. |
| R802311 | R803023 | R810009 | 2 | | | | | | A77-3275-A-1145 | |
| R802320 | R803024 | R810008 | 1 | 1-1/2"-10 | 5-1/2" | Offset | 5/8"-18 | 24, 30 | A27-3275-Z-1144 | Yellow piston. Drum brake. |
| R802321 | R803025 | R810008 | 2 | | | | | | A27-3275-A-1145 | |
| R802316 | R803024 | R810009 | 1 | 1-1/2"-10 | 5-1/2" | Straight | 5/8"-18 | 24, 30 | A27-3275-Z-1144 | Yellow piston. Drum brake. |
| R802317 | R803025 | R810009 | 2 | | | | | | A27-3275-A-1145 | |
| R801041 | R803195 | R810009 | 3 | | | | | | A17-3275-H-1152 | |
| R802644 | R803026 | R810009 | 1 | 1-1/2"-10 | 5-1/2" | Straight | 5/8"-18 | 24, 30 | A18-3275-W-1193 | Yellow piston. Drum brake. Special grease fitting location. |
| R802645 | R803027 | R810009 | 2 | | | | | | A18-3275-X-1194 | |

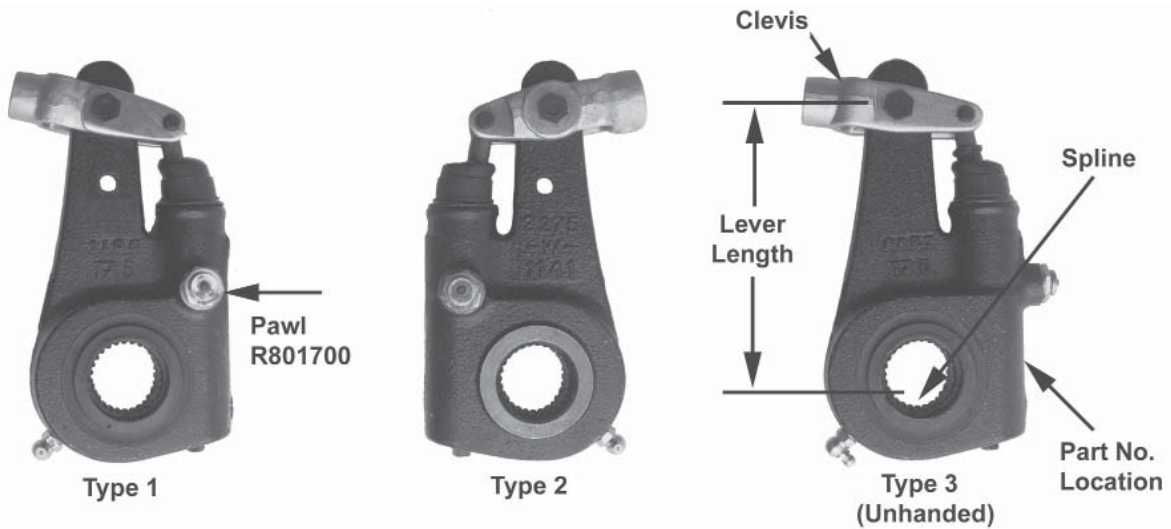
MERITOR AUTOMATIC SLACK ADJUSTERS (STROKE SENSING)



Note: Type 1, Type 2 and Type 3 indicate the location of the pawl assembly on the slack adjuster. The slack adjuster must be installed so the pawl can be removed during maintenance.

| CLEVIS PART NUMBER | UNCLEVIS PART NUMBER | CLEVIS KIT | TYPE | SPLINE DIA./ NO. TEETH | LEVER LENGTH | CLEVIS TYPE | CLEVIS THREAD | USE WITH CHAMBER SIZE | REPLACES | COMMENTS |
|--------------------------|-------------------------|------------|------|---------------------------|-----------------|----------------|------------------|-----------------------------|-----------------|---|
| R802332 | | R810009 | 1 | | | | | | A78-3275-Z-1144 | |
| R802333 | | R810009 | 2 | 1-1/2"-10 | 5-1/2" | Straight | 5/8"-18 | 36 | A78-3275-A-1145 | Green piston. Drum brake. |
| R801043 | R803104 | R810009 | 3 | | | | | | A62-3275-H-1152 | |
| R802666 | | R810009 | 1 | 1-1/2"-10 | 5-1/2" | Straight | 5/8"-18 | 36 | A19-3275-W-1193 | Green piston. Drum brake. Special grease fitting location. |
| R801040 | R803105 | R810009 | 3 | 1-1/2"-10 | 6" | Straight | 5/8"-18 | 20, 24 | A26-3275-J-1154 | Red piston. Drum brake. |
| R802354 | R803030 | R810009 | 1 | 1-1/2"-10 | 6" | Straight | 5/8"-18 | 30 | A4-3275-B-1146 | Yellow piston. |
| R802355 | R803031 | R810009 | 2 | | | | | | A4-3275-C-1147 | Drum brake. |
| R801042 | R803106 | R810009 | 3 | 1-1/2"-10 | 6" | Straight | 5/8"-18 | 30 | A5-3275-J-1154 | Yellow piston. Drum brake. Trailer axle. |
| R802356 | | R810009 | 1 | | | | | | A7-3275-B-1146 | |
| R802357 | | R810009 | 2 | 1-1/2"-10 | 6" | Straight | 5/8"-18 | 36 | A7-3275-C-1147 | Green piston. Drum brake. |
| R801044 | | R810009 | 3 | | | | | | A8-3275-J-1154 | |
| R801048 | | R810009 | 1 | 1-1/2"-10 | 6-1/2" | Straight | 5/8"-18 | 30 | | Yellow piston. Drum brake. |
| R802361 | | R810009 | 2 | | | | | | | |
| R801045 | | R810009 | 1 | 1-1/2"-10 | 6-1/2" | Straight | 5/8"-18 | 36 | A12-3275-D-1148 | Green piston. |
| R802371 | | R810009 | 2 | | | | | | A12-3275-E-1149 | Drum brake. |
| R802382 | | R810009 | 1 | 1-1/2"-10 | 7" | Straight | 5/8"-18 | 30 | A3-3275-Y-701S | Red piston. Drum brake. |
| R802383 | | R810009 | 2 | | | | | | A3-3275-Z-702S | |
| R802380 | R803036 | R810012 | 1 | 1-1/2"-10 | 7" | Straight | 3/4"-16 | 30 | A4-3275-N-1158 | Red piston. Drum brake. Coach brake. |
| R802381 | | R810012 | 2 | | | | | | A4-3275-P-1160 | |
| R802412 | R803040 | R810009 | 1 | 1-1/2"-28 | 5" | Straight | 5/8"-18 | 20, 24, 30 | A14-3275-X-1142 | Yellow piston. |
| R802413 | R803041 | R810009 | 2 | | | | | | A14-3275-Y-1143 | Drum brake. |
| R802414 | R803040 | R810009 | 1 | | | | | | | |
| R802415 | R803041 | R810009 | 2 | 1-1/2"-28 | 5" | Straight | 5/8"-18 | 20, 24, 30 | | Yellow piston. Drum brake. |
| R801077 | | R810009 | 3 | | | | | | | |

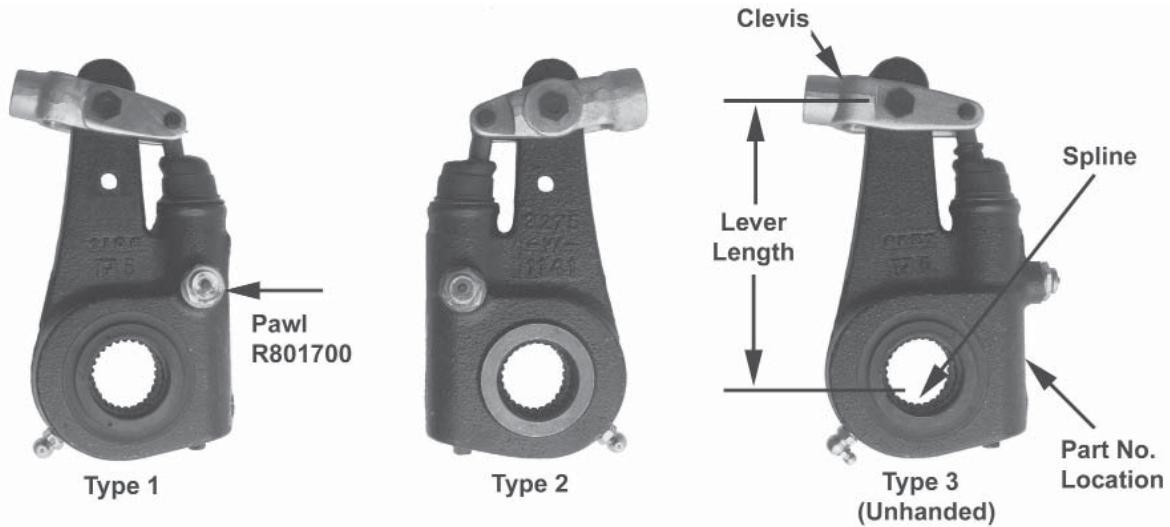
MERITOR AUTOMATIC SLACK ADJUSTERS (STROKE SENSING)



Note: Type 1, Type 2 and Type 3 indicate the location of the pawl assembly on the slack adjuster. The slack adjuster must be installed so the pawl can be removed during maintenance.

| CLEVIS PART NUMBER | UNCLEVIS PART NUMBER | CLEVIS KIT | TYPE | SPLINE DIA./ NO. TEETH | LEVER LENGTH | CLEVIS TYPE | CLEVIS THREAD | USE WITH CHAMBER SIZE | REPLACES | COMMENTS |
|--------------------------|-------------------------|------------|------|---------------------------|-----------------|----------------|------------------|--------------------------|--|-------------------------------|
| R802416 | R803042 | R810009 | 1 | 1-1/2"-28 | 5" | Straight | 5/8"-18 | 36 | A19-3275-X-1142 | Green piston. |
| R802417 | | R810009 | 2 | | | | | | A19-3275-Y-1143 | Drum brake. |
| R802430 | R803046 | R810007 | 1 | | | | | | A35-3275-Z-1144 | Red piston. |
| R802431 | R803047 | R810007 | 2 | 1-1/2"-28 | 5-1/2" | Straight | 1/2"-20 | 16 | A35-3275-A-1145 | Drum and disc |
| R801070 | R803108 | R810007 | 3 | | | | | | A24-3275-H-1152 | brakes. |
| | R803045 | R810016 | 2 | 1-1/2"-28 | 5-1/2" | Offset | 1/2"-20 | 12, 9 | A57-3275-A-1145 | |
| R802420 | | R810013 | 1 | | | | | | A57-3275-Z-1144 | |
| R802421 | R803045 | R810014 | 2 | 1-1/2"-28 | 5-1/2" | Straight | 1/2"-20 | 12, 9 | A57-3275-A-1145 | |
| R802440 | R803046 | R810009 | 1 | | | | | | A35-3275-Z-1144 | Red piston. |
| R802441 | R803047 | R810009 | 2 | 1-1/2"-28 | 5-1/2" | Straight | 5/8"-18 | 16, 20 | A35-3275-A-1145 | Drum and disc brake. |
| R801079 | R803108 | R810009 | 3 | 1-1/2"-28 | 5-1/2" | Straight | 5/8"-18 | 20 | A24-3275-H-1152 | Red piston. Drum brake. |
| R802444 | R803052 | R810009 | 1 | | | | | | A47-3275-Z-1144 | Green piston. |
| R802445 | R803053 | R810009 | 2 | 1-1/2"-28 | 5-1/2" | Straight | 5/8"-18 | 20, 24, 36 | A47-3275-A-1145 | Drum and disc brake. |
| R801072 | R803109 | R810009 | 3 | | | | | | A34-3275-H-1152, A48-3275-H-1152 A41-3275-Z-1144 | |
| R802446 | R803048 | R810009 | 1 | | | | | | A41-3275-A-1145 | Yellow piston. |
| R802447 | R803049 | R810009 | 2 | 1-1/2"-28 | 5-1/2" | Straight | 5/8"-18 | 24, 30 | A41-3275-A-1145 | Drum brake. |
| R801073 | R803110 | R810009 | 3 | | | | | | A32-3275-H-1152 | |
| R802648 | | R810009 | 1 | 1-1/2"-28 | 5-1/2" | Straight | 5/8"-18 | 24, 30 | | Yellow piston. |
| R802649 | | R810009 | 2 | | | | | | | Drum brake. |
| R802684 | | R810009 | 1 | 1-1/2"-28 | 5-1/2" | Straight | 5/8"-18 | 24, 30 | | Yellow piston. Drum brake. |
| R802685 | | R810009 | 2 | | | | | | | Machined corner. |
| R801080 | | R810009 | 3 | 1-1/2"-28 | 5-1/2" | Straight | 5/8"-18 | 30 | | Black piston. Disc brake. |
| R802463 | R803050 | R810009 | 1 | | | | | | A44-3275-Z-1144 | Blue piston. |
| R802462 | R803051 | R810009 | 2 | 1-1/2"-28 | 5-1/2" | Straight | 5/8"-18 | 30 | A44-3275-A-1145 | Disc brake. |

MERITOR AUTOMATIC SLACK ADJUSTERS (STROKE SENSING)



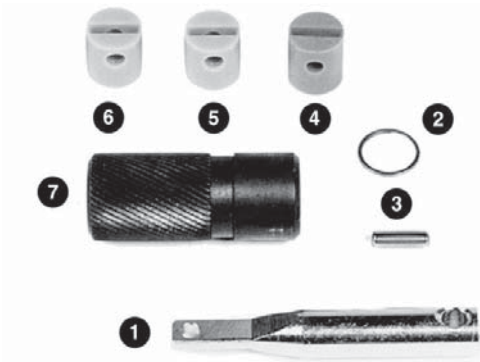
Note: Type 1, Type 2 and Type 3 indicate the location of the pawl assembly on the slack adjuster. The slack adjuster must be installed so the pawl can be removed during maintenance.

| CLEVIS PART NUMBER | UNCLEVIS PART NUMBER | CLEVIS KIT | TYPE | SPLINE DIA./ NO. TEETH | LEVER LENGTH | CLEVIS TYPE | CLEVIS THREAD | USE WITH CHAMBER SIZE | REPLACES | COMMENTS |
|--------------------------|-------------------------|------------|------|---------------------------|-----------------|----------------|------------------|--------------------------|-----------------|--|
| R801071 | R803111 | R810009 | 3 | 1-1/2"-28 | 6" | Straight | 5/8"-18 | 20, 24 | A24-3275-J-1154 | Red piston. Drum brake. |
| R802486 | R803054 | R810009 | 1 | | | | | | A14-3275-B-1146 | Yellow piston. Drum brake. |
| R802487 | R803055 | R810009 | 2 | 1-1/2"-28 | 6" | Straight | 5/8"-18 | 30 | A14-3275-C-1147 | |
| R801074 | R803112 | R810009 | 3 | | | | | | A15-3275-J-1154 | |
| R802490 | R803056 | R810009 | 1 | | | | | | A21-3275-B-1146 | Green piston. |
| R802491 | R803057 | R810009 | 2 | 1-1/2"-28 | 6" | Straight | 5/8"-18 | 36 | A21-3275-C-1147 | Drum brake. |
| R801075 | R803113 | R810009 | 3 | | | | | | A18-3275-J-1154 | |
| R802512 | R803058 | R810009 | 1 | 1-1/2"-28 | 6-1/2" | Straight | 5/8"-18 | 36 | A8-3275-D-1148 | Green piston. |
| R802513 | R803059 | R810009 | 2 | | | | | | A8-3275-E-1149 | Drum brake. |
| R801101 | R803114 | R810009 | 3 | 1-5/8"-37 | 5-1/2" | Straight | 5/8"-18 | 24, 30 | A67-3275-H-1152 | Yellow piston. Drum brake. Fruehauf. |
| R802616 | | R810009 | 1 | 1-5/8"-37 | 6" | Straight | 5/8"-18 | 20, 24 | A27-3275-B-1146 | Red piston. Drum brake. Fruehauf. |
| R801100 | | R810009 | 3 | 1-5/8"-37 | 6" | Straight | 5/8"-18 | 20, 24 | A27-3275-J-1154 | Red piston. Drum brake. Trailer axle. Fruehauf. |
| R802621 | | R810009 | 1 | | | | | | A28-3275-B-1146 | Yellow piston. |
| R802620 | | R810009 | 2 | 1-5/8"-37 | 6" | Straight | 5/8"-18 | 30 | A28-3275-C-1147 | Drum brake. |
| R801102 | R803116 | R810009 | 3 | | | | | | A28-3275-J-1154 | Fruehauf. |

AUTOMATIC SLACK ADJUSTER (STROKE SENSING) REPAIR KITS

KIT 15902

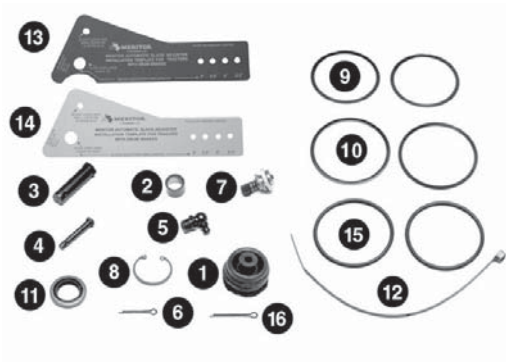
Meritor ASA



| ITEM | QTY | PART NUMBER | DESCRIPTION | APPLICATION INFORMATION |
|------|-----|-------------|-------------------------|--|
| 1 | 1 | 2297-G-7209 | Rod - Actuator (5.50") | ASA actuator assembly kit. Use the A-1779-W-283 or 2297-U-4571 grease as the slack adjuster is rebuilt. One kit contains enough parts to rebuild one slack adjuster. |
| 2 | 1 | 1199-V-3740 | Retaining Ring - Piston | |
| 3 | 1 | 1199-U-3739 | Pin - Piston Retaining | |
| 4 | 1 | 2297-W-3637 | Piston - Red | |
| 5 | 1 | 2297-H-2842 | Piston - Green | |
| 6 | 1 | 2230-C-159 | Blue Piston | |
| 7 | 1 | 2297-W-2857 | Actuator | |

KIT 963

Meritor ASA



| | | | | |
|----|---|---------------|--------------------------|--|
| 1 | 1 | 2260-S-1111 | Boot | Minor rebuild kit for automatic slack adjusters. Does not contain clevis. One kit contains enough parts to rebuild one slack adjuster. |
| 2 | 1 | 1225-C-835 | Bushing | |
| 3 | 1 | 19-X-1084 | Clevis Pin - Large | |
| 4 | 1 | 19-X-127 | Clevis Pin - Small | |
| 5 | 1 | 1898-R-720 | Grease Fitting | |
| 6 | 1 | K-235 | Cotter Pin - Small | |
| 7 | 1 | R801700 | Pawl Assembly | |
| 8 | 1 | 1199-Y-3743 | Snap Ring | |
| 9 | 2 | 1199-W-3741 | Snap Ring | |
| 10 | 2 | 5-X-1093 | Slack Adjuster Gear Seal | |
| 11 | 1 | A-1205-G-2269 | Worm Seal Assembly | |
| 12 | 1 | 2257-N-40 | Tie Strap | |
| 13 | 1 | 2297-B-4786 | Truck/Tractor Template | |
| 14 | 1 | 2297-C-4787 | Trailer Template | |
| 15 | 1 | 1229-R-4178 | Thrust Washer | |
| 16 | 1 | K-248 | Cotter Pin - Large | |

AUTOMATIC SLACK ADJUSTER (STROKE SENSING) REPAIR KITS

R810001ALW

Meritor ASA



| ITEM | QTY | PART NUMBER | DESCRIPTION | APPLICATION INFORMATION |
|------|-----|---------------|-------------------------|------------------------------|
| 1 | 1 | A-2260-U-1113 | | |
| 2 | 1 | 1225-C-835 | Bushing | |
| 3 | 1 | R801700 | Pawl Assembly | |
| 4 | 1 | A-1205-F-2346 | Seal | |
| 5 | 1 | 1199-U-3739 | Pin - Piston Retaining | |
| 6 | 1 | 2297-W-2857 | Actuator | |
| 7 | 1 | 2297-F-7208 | Rod - Actuator (5") | |
| 8 | 1 | 2297-G-7209 | Rod - Actuator (5.50") | |
| 9 | 1 | 2297-H-7210 | Rod - Actuator (6") | |
| 10 | 1 | 2297-J-7212 | Rod - Actuator (6.50") | Contains Light Weight clevis |
| 11 | 1 | 1199-V-3740 | Retaining Ring - Piston | |
| 12 | 1 | 2297-B-4786 | Truck/Tractor Template | |
| 13 | 1 | 2297-C-4787 | Trailer Template | |
| 14 | 1 | 1245-Z-1066 | ASA Clevis | |
| 15 | 1 | 19-X-127 | Clevis Pin - Small | |
| 16 | 1 | K-235 | Cotter Pin - Small | |
| 17 | 1 | 19-X-1116 | Large Headed Clevis Pin | |
| 18 | 1 | K-248 | Cotter Pin - Large | |
| 19 | 1 | 2230-N-1054 | Piston - Yellow | |
| 20 | 1 | 2297-H-2842 | Piston - Green | |

R810001LW

Meritor ASA



| | | | | |
|----|---|---------------|-------------------------|------------------------------|
| 1 | 1 | 2260-S-1111 | Boot | |
| 2 | 1 | 1225-C-835 | Bushing | |
| 3 | 1 | 2257-N-40 | Tie Strap | |
| 4 | 1 | A-1205-F-2346 | Seal | |
| 5 | 1 | 1199-U-3739 | Pin - Piston Retaining | |
| 6 | 1 | 2297-W-2857 | Actuator | |
| 7 | 1 | 2297-F-7208 | Rod - Actuator (5") | |
| 8 | 1 | 2297-G-7209 | Rod - Actuator (5.50") | |
| 9 | 1 | 2297-H-7210 | Rod - Actuator (6") | |
| 10 | 1 | 2297-J-7212 | Rod - Actuator (6.50") | Contains Light Weight clevis |
| 11 | 1 | 1199-V-3740 | Retaining Ring - Piston | |
| 12 | 1 | R801700 | Pawl Assembly | |
| 13 | 1 | 2297-B-4786 | Truck/Tractor Template | |
| 14 | 1 | 2297-C-4787 | Trailer Template | |
| 15 | 1 | 1245-Z-1066 | ASA Clevis | |
| 16 | 1 | 19-X-127 | Clevis Pin - Small | |
| 17 | 1 | K-235 | Cotter Pin - Small | |
| 18 | 1 | 19-X-1116 | Large Headed Clevis Pin | |
| 19 | 1 | K-248 | Cotter Pin - Large | |
| 20 | 1 | 2230-N-1054 | Piston - Yellow | |
| 21 | 1 | 2297-H-2842 | Piston - Green | |

AUTOMATIC SLACK ADJUSTER (STROKE SENSING) REPAIR KITS

R810003

Meritor ASA



| ITEM | QTY | PART NUMBER | DESCRIPTION | APPLICATION INFORMATION |
|------|-----|---------------|-------------------------|-------------------------|
| 1 | 2 | 2260-S-1111 | Boot | |
| 2 | 2 | 1225-C-835 | Bushing | |
| 3 | 2 | A-1205-F-2346 | Seal | |
| 4 | 2 | 2257-N-40 | Tie Strap | |
| 5 | 2 | 1199-U-3739 | Pin - Piston Retaining | |
| 6 | 2 | 1199-V-3740 | Retaining Ring - Piston | |
| 7 | 2 | 2297-F-7208 | Rod - Actuator (5") | |
| 8 | 2 | 2297-G-7209 | Rod - Actuator (5.50") | |
| 9 | 2 | 2297-W-3637 | Piston - Red | |
| 10 | 2 | 2230-N-1054 | Piston - Yellow | |
| 11 | 2 | 2297-W-2857 | Actuator | |
| 12 | 2 | R801700 | Pawl Assembly | |
| 13 | 1 | 2297-B-4786 | Truck/Tractor Template | |

R810003A

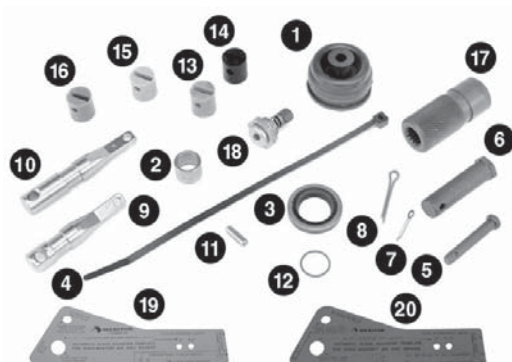
Meritor ASA



| | | | | |
|----|---|---------------|-------------------------|---|
| 1 | 2 | A-2260-U-1113 | | |
| 2 | 2 | 1225-C-835 | Bushing | |
| 3 | 2 | A-1205-F-2346 | Seal | |
| 4 | 2 | R801700 | Pawl Assembly | Rebuild kit for front ASAs. Slacks used with 16 thru 30 square inch brake chambers. One kit contains enough parts to rebuild two slack adjusters. New style with press-in boot. |
| 5 | 2 | 1199-U-3739 | Pin - Piston Retaining | |
| 6 | 2 | 1199-V-3740 | Retaining Ring - Piston | |
| 7 | 2 | 2297-F-7208 | Rod - Actuator (5") | |
| 8 | 2 | 2297-G-7209 | Rod - Actuator (5.50") | |
| 9 | 2 | 2297-W-3637 | Piston - Red | |
| 10 | 2 | 2230-N-1054 | Piston - Yellow | |
| 11 | 2 | 2297-W-2857 | Actuator | |
| 12 | 1 | 2297-B-4786 | Truck/Tractor Template | |

R810004

Meritor ASA

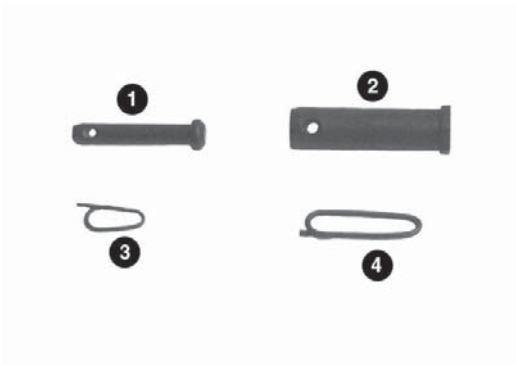


| | | | | |
|----|---|---------------|-------------------------|--|
| 1 | 1 | 2260-S-1111 | Boot | |
| 2 | 1 | 1225-C-835 | Bushing | |
| 3 | 1 | A-1205-F-2346 | Seal | |
| 4 | 1 | 2257-N-40 | Tie Strap | |
| 5 | 1 | 19-X-127 | Clevis Pin - Small | |
| 6 | 1 | 19-X-1084 | Clevis Pin - Large | |
| 7 | 1 | K-235 | Cotter Pin - Small | |
| 8 | 1 | K-248 | Cotter Pin - Large | |
| 9 | 1 | 2297-F-7208 | Rod - Actuator (5") | Rebuild kit for all ASAs. One kit contains enough parts to rebuild one slack adjuster. Old style with strap-on boot. |
| 10 | 1 | 2297-G-7209 | Rod - Actuator (5.50") | |
| 11 | 1 | 1199-U-3739 | Pin - Piston Retaining | |
| 12 | 1 | 1199-V-3740 | Retaining Ring - Piston | |
| 13 | 1 | 2297-W-3637 | Piston - Red | |
| 14 | 1 | 2297-B-4188 | Piston - Black | |
| 15 | 1 | 2297-H-2842 | Piston - Green | |
| 16 | 1 | 2230-C-159 | Blue Piston | |
| 17 | 1 | 2297-W-2857 | Actuator | |
| 18 | 1 | R801700 | Pawl Assembly | |
| 19 | 1 | 2297-D-4788 | Installation Template | |
| 20 | 1 | 2297-E-4789 | Installation Template | |

AUTOMATIC SLACK ADJUSTER (STROKE SENSING) REPAIR KITS

R810005

Meritor ASA

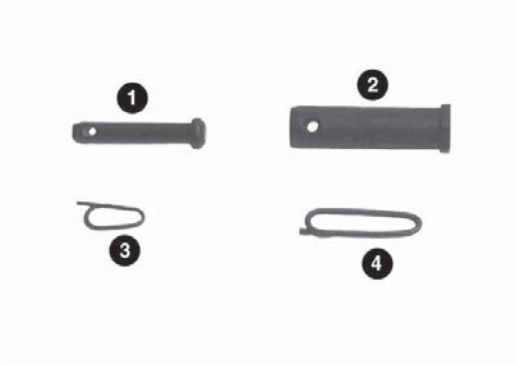


| ITEM | QTY | PART NUMBER | DESCRIPTION | APPLICATION INFORMATION |
|------|-----|-------------|-------------|-------------------------|
|------|-----|-------------|-------------|-------------------------|

| | | | | |
|---|---|--------------------|--------------------|--|
| 1 | 1 | 19-X-127 | Clevis Pin - Small | Clevis pins and clips. One kit contains enough parts to service one slack adjuster. |
| 2 | 1 | 19-X-1084 | Clevis Pin - Large | |
| 3 | 1 | 2257-C-1173 | Clip - Small | |
| 4 | 1 | 2257-D-1174 | Clip - Large | |






R810005LW

Meritor ASA



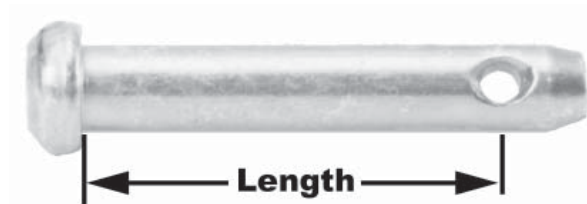
| | | | | |
|---|---|--------------------|-------------------------|--|
| 1 | 1 | 19-X-127 | Clevis Pin - Small | Clevis pins and clips for Light Weight clevis. One kit contains enough parts to service one slack adjuster. |
| 2 | 1 | 19-X-1116 | Large Headed Clevis Pin | |
| 3 | 1 | 2257-C-1173 | Clip - Small | |
| 4 | 1 | 2257-D-1174 | Clip - Large | |

MERITOR ASA (STROKE SENSING) SERVICE PARTS

| | PART NUMBER | CLEVIS TYPE | PUSHROD | REPLACES | APPLICATION INFORMATION |
|---|-------------|-------------|---------|----------|---|
|  | R810015LW | 5/8" Offset | 1/2"-20 | | Clevis kit includes Lightweight Clevis, pins, clips and helper spring (2258-P-1238). For standard type 9, 12 and 16 chambers. |
| | R810016LW | 5/8" Offset | 1/2"-20 | | Clevis kit includes Lightweight Clevis, pins, clips and helper spring (2258-Q-1239). For standard type 9, 12 and 16 chambers. |
| | R810022 | 5/8" Offset | 1/2"-20 | E11899 | Clevis kit includes Lightweight Clevis, pins and clips. For long stroke type 9, 12 and 16 chambers. |
| | R810024 | 5/8" Offset | 1/2"-20 | E11427A | Clevis kit includes Lightweight Clevis, pins and clips. For standard type 9, 12 and 16 chambers. |
|  | R810013LW | Straight | 1/2"-20 | | Clevis kit includes Lightweight Clevis, pins, clips and helper spring (2258-P-1238). For standard type 9, 12 and 16 chambers. |
| | R810018 | Straight | 1/2"-20 | E11428A | Clevis kit includes Lightweight Clevis, pins and clips. For standard type 9, 12 and 16 chambers. |
| | R810020 | Straight | 1/2"-20 | E11898 | Clevis kit includes Lightweight Clevis, pins and clips. For long stroke type 9, 12 and 16 chambers. |
|  | R810023 | 5/8" Offset | 5/8"-18 | E11901 | Clevis kit includes Lightweight Clevis, pins and clips. For long stroke type 20, 24, 30 and 36 chambers. |
| | R810025 | 5/8" Offset | 5/8"-18 | E11429A | Clevis kit includes Lightweight Clevis, pins and clips. For standard type 20, 24, 30 and 36 chambers. |
|  | R810019 | Straight | 5/8"-18 | E11430A | Clevis kit includes Lightweight Clevis, pins and clips. For standard type 20, 24, 30 and 36 chambers. |
| | R810021 | Straight | 5/8"-18 | E11900 | Clevis kit includes Lightweight Clevis, pins and clips. For long stroke type 20, 24, 30 and 36 chambers. |
|  | R810012 | Straight | 3/4"-16 | E11431 | Clevis kit includes R801716 clevis, pins and clips. For standard type 20, 24, 30, 36 chambers. |

8

CLEVIS PINS



| PART NUMBER | HEAD STYLE | LENGTH | DIAMETER | APPLICATION INFORMATION |
|-------------|------------|----------|----------|---|
| 19-X-127 | Round | 1-3/16" | 1/4" | |
| 19-X-1174 | Round | 1-19/64" | 1/4" | |
| 19-X-1116 | Hex | 1-7/32" | 1/2" | Use with Lightweight clevis |
| 19-X-45 | Round | 1-3/8" | 1/2" | |
| 19-X-1084 | Hex | 1-1/2" | 1/2" | |
| 19-X-1173 | Round | 1-9/16" | 1/2" | |
| 19-X-1083 | Hex | 1-5/8" | 1/2" | |
| 19-X-1085 | Round | 2-3/32" | 1/2" | Must use with 2258-P-1238 or 2258-Q-1239 helper spring. |

MERITOR ASA (STROKE SENSING) SERVICE PARTS

CLEVIS PIN HELPER SPRINGS



| PART NUMBER | DESCRIPTION | COMMENTS |
|-------------|-------------|---|
| 2258-P-1238 | Black | For type 9 and 12 chambers. Must be used with R801734 clevis pin. |
| 2258-Q-1239 | Blue | |

CLEVIS PIN CLIPS



| PART NUMBER | DIAMETER | REPLACES | APPLICATION INFORMATION |
|-------------|----------|----------|-------------------------------|
| 2257-C-1173 | 3/64" | | Use with 19-X-127 Clevis pin |
| 2257-D-1174 | 1/16" | | Use with 19-X-1084 Clevis pin |

COTTER PINS



| PART NUMBER | LENGTH | DIAMETER | COMMENTS |
|-------------|--------|----------|-------------------------------|
| K-235 | 5/8" | 3/32" | Meritor ASA |
| 19-X-1176 | 3/4" | 1/16" | Stainless steel. Meritor ASA. |
| 19-X-1175 | 1" | 1/8" | Steel. Meritor ASA. |
| K-248 | 1" | 1/8" | Meritor ASA |

BUSHINGS



| PART NUMBER | I.D. | O.D. | LENGTH | APPLICATION INFORMATION |
|-------------|------|------|--------|--|
| 1225-C-835 | 1/2" | 5/8" | 1/2" | Clevis pin bushing slack adjuster arm. |

GUIDE PAWL



| PART NUMBER | DESCRIPTION | REPLACES | APPLICATION INFORMATION |
|-------------|--------------------------------------|----------|---|
| R801700 | Pull pawl assembly with curved face. | E11432 | Use on all Meritor automatic slack adjusters. |

SNAP & LOCK RINGS



| PART NUMBER | I.D. | THICKNESS | APPLICATION INFORMATION |
|-------------|--------|-----------|-------------------------|
| 1199-Y-3743 | 1-3/8" | 3/64" | Auto Slacks |

MERITOR ASA (STROKE SENSING) SERVICE PARTS

GREASE FITTING



| PART NUMBER | LENGTH | THREAD | ANGLE | DIAMETER | APPLICATION INFORMATION |
|-------------|--------|--------|-------|----------|-------------------------|
|-------------|--------|--------|-------|----------|-------------------------|

| | | | | | |
|------------|--------|----------------|-----|-----------|---------------------------------|
| 1898-R-720 | 27/32" | 1/8"-27 P.T.F. | 90° | 7/16" hex | Grease fitting for Meritor ASA. |
|------------|--------|----------------|-----|-----------|---------------------------------|

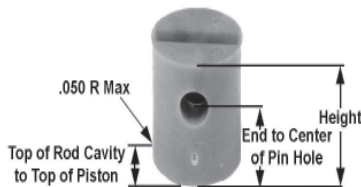
O-RINGS



| PART NUMBER | I.D. | O.D. | THICKNESS | APPLICATION INFORMATION |
|-------------|------|------|-----------|-------------------------|
|-------------|------|------|-----------|-------------------------|

| | | | | |
|-------------|----------|----------|-------|---|
| 1205-E-2527 | 1-15/64" | 1-9/16" | 5/16" | ASA seal for Meritor LX/MX 500 brakes. |
| 1205-F-2528 | 1-3/8" | 1-19/32" | 9/32" | ASA seal (orange) for Meritor LX/MX 500 brakes. |

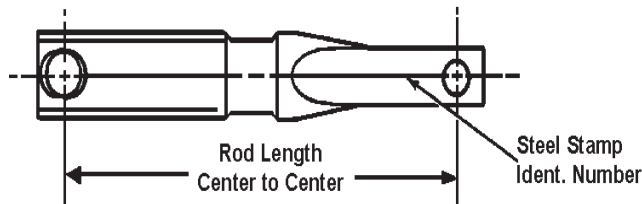
PISTON ACTUATORS



| PART NUMBER | HEIGHT | END TO CENTER OF PIN HOLE | TOP OF ROD CAVITY TO TOP OF PISTON | COLOR |
|-------------|--------|---------------------------|------------------------------------|--------|
| 2230-C-159 | 41/64" | 7/16" | 7/32" | Blue |
| 2297-H-2842 | 43/64" | 15/32" | 1/4" | Green |
| 2230-N-1054 | 11/16" | 15/32" | 1/4" | Yellow |
| 2297-W-3637 | 45/64" | 15/32" | 1/4" | Red |

8

ACTUATOR RODS



| PART NUMBER | IDENTIFICATION NUMBER | SLACK | ROD LENGTH CENTER TO CENTER |
|-------------|-----------------------|--------|-----------------------------|
| 2297-G-7209 | 7 | 5-1/2" | 2-5/8" |
| 2297-H-7210 | 8 | 6" | 3-1/8" |

BOOT STRAP



| PART NUMBER | DESCRIPTION |
|-------------|---|
| 2257-N-40 | 7-5/16" plastic tie-down strap for 2260-S-1111 automatic slack adjuster boot. Replaces all colored boot straps. |

BOOTS



| PART NUMBER | HEIGHT | O.D. | APPLICATION INFORMATION |
|-------------|--------|------|-------------------------|
|-------------|--------|------|-------------------------|

| | | | |
|-------------|--------|---------|--|
| 2260-S-1111 | 1-1/8" | 1-9/16" | Tie on boot for Meritor automatic slack adjusters. Replaces 2297-S-5869. |
|-------------|--------|---------|--|







| | | | |
|---------------|---------|----------|--|
| A-2260-U-1113 | 1-3/16" | 1-15/32" | Press in boot for Meritor automatic slack adjusters. |
|---------------|---------|----------|--|






MERITOR CLEARANCE SENSING AUTOMATIC SLACK ADJUSTERS

| PART NUMBER | BRACKET NO. | ANGLE | STRAIGHT/OFFSET | SPLINE SIZE | ARM LENGTH | BUSHING I.D. | APPLICATION |
|-------------|-------------|-------|-----------------|-------------|------------|--------------|-------------|
|-------------|-------------|-------|-----------------|-------------|------------|--------------|-------------|

DRIVE AXLE APPLICATIONS FOR 16-1/2" AND 18" BRAKES

| | | | | | | | | |
|---|----------------|----------------|-----|----------|-----------|-------------------|------|--|
|  | R806002 | R810306 | 0° | Straight | 1-1/2"-10 | 5-1/2" | 5/8" | Single Bend Control Arm. For Kenworth with 8 bag air ride to avoid interference with air bag supports. Replaces 400-10155, 409-10635 |
| | R806003 | R810306 | 0° | Straight | 1-1/2"-28 | 5-1/2" | 5/8" | Single Bend Control Arm. For Kenworth with 8 bag air ride to avoid interference with air bag supports. Replaces 400-10156, 409-10648 |
|  | R806018 | R810302 | 16° | Straight | 1-1/2"-10 | 6" | 1/2" | Double Bend Control Arm. For Mack drive axle brakes. Replaces 400-10145, 409-10680 |
| | R806016 | R810302 | 16° | Straight | 1-1/2"-28 | 6" | 1/2" | Double Bend Control Arm. For Mack drive axle brakes. Replaces 400-10144, 409-10678 |
| | R806017 | R810302 | 16° | Straight | 1-1/2"-28 | 5-1/2", 6-1/2" | 1/2" | Double Bend Control Arm. For Mack drive axle brakes. Replaces 400-10146, 409-10679 |
|  | R806001 | R810305 | 16° | Straight | 1-1/2"-28 | 5-1/2" | 1/2" | Single Bend Control Arm. For Meritor air disc brakes. Replaces 400-10402, 409-10584 |
| | R806022 | R810300 | 34° | Straight | 1-1/2"-10 | 5-1/2", 6-1/2" | 5/8" | Single Bend Control Arm. For standard drive axle brakes. Replaces 400-10143, 409-10733 |
|  | R806023 | R810300 | 34° | Straight | 1-1/2"-10 | 5", 6" | 5/8" | Single Bend Control Arm. For standard drive axle brakes. Replaces 400-10142, 409-10741 |
| | R806004 | R810300 | 34° | Straight | 1-1/2"-28 | 5-1/2" | 5/8" | Single Bend Control Arm. For standard drive axle brakes. Replaces 400-10154, 409-10650 |
| | R806024 | R810300 | 34° | Straight | 1-1/2"-28 | 5", 6" | 5/8" | Single Bend Control Arm. For standard drive axle brakes. Replaces 400-10140, 409-10742 |
| | R806026 | R810300 | 34° | Straight | 1-1/2"-28 | 5-1/2", 6-1/2" | 5/8" | Single Bend Control Arm. For standard drive axle brakes. Replaces 400-10141, 409-10653 |

MERITOR CLEARANCE SENSING AUTOMATIC SLACK ADJUSTERS

| PART NUMBER | BRACKET NO. | ANGLE | STRAIGHT/OFFSET | SPLINE SIZE | ARM LENGTH | BUSHING I.D. | APPLICATION | |
|---|---|----------------|-----------------|------------------|------------------|--------------|-------------|---|
| STEER AXLE (NON-DRIVE) APPLICATIONS FOR 15", 16-1/4", AND 16-1/2" BRAKES | | | | | | | | |
|  | R806009 | R810302 | 0° | Straight | 1-1/4"-10 | 5-1/2" | 5/8" | Double Bend Control Arm. For standard steer axle brakes. Replaces 400-10001, 409-10658 |
| | R806010 | R810303 | 0° | Straight | 1-1/4"-24 | 5-1/2" | 5/8" | Double Bend Control Arm. For standard steer axle brakes. Replaces 400-10004, 409-10659 |
| | R806011 | R810302 | 0° | Straight | 1-1/2"-10 | 5-1/2" | 5/8" | Double Bend Control Arm. For standard steer axle brakes. Replaces 400-10005, 409-10662 |
| | R806012 | R810302 | 0° | Straight | 1-1/2"-28 | 5-1/2" | 5/8" | Double Bend Control Arm. For standard steer axle brakes. Replaces 400-10008, 409-10663 |
|  | R806025 | R810310 | 0° | Straight | 1-1/2"-28 | 5-1/2" | 1/2" | Single Bend Control Arm. For standard steer axle brakes. Replaces 400-10008, 400-10081, 409-10228 |
|  | R806502 | R810302 | 22° | Offset LH 5/8" | 1-1/4"-10 | 5-1/2" | 5/8" | Double Bend Control Arm. For standard steer axle brakes with 5/8" offset arm. Replaces 400-10003, 409-10660 |
| | R806503 | R810302 | 22° | Offset RH 5/8" | 1-1/4"-10 | 5-1/2" | 5/8" | Double Bend Control Arm. For standard steer axle brakes with 5/8" offset arm. Replaces 400-10002, 409-10661 |
| | R806504 | R810303 | 22° | Offset LH 5/8" | 1-1/4"-24 | 5-1/2" | 5/8" | Double Bend Control Arm. For standard steer axle brakes with 5/8" offset arm. Replaces 400-10041, 409-10664 |
| | R806505 | R810303 | 22° | Offset RH 5/8" | 1-1/4"-24 | 5-1/2" | 5/8" | Double Bend Control Arm. For standard steer axle brakes with 5/8" offset arm. Replaces 400-10040, 409-10665 |
| |  | R806500 | R810304 | 22° | Offset RH 1-1/2" | 1-1/2"-28 | 5-1/2" | 1/2" |
| R806501 | | R801304 | 22° | Offset LH 1-1/2" | 1-1/2"-28 | 5-1/2" | 1/2" | Single Bend Control Arm. For Mack 16,000 lb.+ steer axle brakes with 1-1/2" offset arm. Replaces 400-10010, 409-10600 |
|  | R806507 | R810311 | 22° | Offset LH 5/8" | 1-1/2"-28 | 6" | 1/2" | Single Bend Control Arm. For Dina Bus and MCI steer axle brakes. Replaces 400-10068, 409-10638 |

MERITOR CLEARANCE SENSING AUTOMATIC SLACK ADJUSTERS

| PART NUMBER | BRACKET NO. | ANGLE | STRAIGHT/OFFSET | SPLINE SIZE | ARM LENGTH | BUSHING I.D. | APPLICATION |
|-------------|-------------|-------|-----------------|-------------|------------|--------------|-------------|
|-------------|-------------|-------|-----------------|-------------|------------|--------------|-------------|

TRAILER AXLE APPLICATIONS FOR 12-1/4" BRAKES



R806000 R810307 34° Straight 1-1/2"-10 5" 1/2" Single Bend Control Arm. For Delvan trailer axle brakes. Replaces 409-10129

R806007 R810301 35° Straight 1-1/2"-10 6" 1/2" Double Bend Control Arm. For Meritor, Eaton, Spicer (Dana and Standard Forge) trailer axles with 4-hole cam bracket. Replaces 400-10306, 409-10656



R806005 R810301 35° Straight 1-1/2"-28 5-1/2" 1/2" Double Bend Control Arm. For Meritor, Eaton, Spicer (Dana and Standard Forge) trailer axles with 4-hole cam bracket. Replaces 400-10304, 409-10654

R806006 R810301 35° Straight 1-1/2"-28 6" 1/2" Double Bend Control Arm. For Meritor, Eaton, Spicer (Dana and Standard Forge) trailer axles with 4-hole cam bracket. Replaces 400-10305, 409-10655

R806008 R810301 35° Straight 1-5/8"-37 6" 1/2" Double Bend Control Arm. For Fruehauf trailer axles with 4-hole cam bracket. Replaces 400-10307, 409-10657

TRAILER AXLE APPLICATIONS FOR 16-1/2" BRAKES

R806021 R810308 0° Straight 1-1/2"-10 5-1/2" 1/2" Double Bend Control Arm. For standard Meritor, Eaton, Spicer (Dana and Standard Forge) trailer axles. Replaces 400-10215, 409-10685

R806015 R810308 0° Straight 1-1/2"-10 6" 1/2" Double Bend Control Arm. For Spicer (Dana and Standard Forge) trailer axles with 3-hole cam bracket. Replaces 400-10216, 409-10675



R806019 R810301 0° Straight 1-1/2"-28 5-1/2" 1/2" Double Bend Control Arm. For Meritor, Eaton, Spicer (Dana and Standard Forge) trailer axles with 4-hole cam bracket. Replaces 400-10211, 409-10683







R806013 R810308 0° Straight 1-1/2"-28 6" 1/2" Double Bend Control Arm. For Meritor, Eaton, Spicer (Dana and Standard Forge) trailer axles with 4-hole cam bracket. Replaces 400-10212, 409-10673

R806020 R810301 0° Straight 1-5/8"-37 5-1/2" 1/2" Double Bend Control Arm. For Fruehauf with 4-hole cam bracket. Replaces 400-10213, 409-10684

R806014 R810301 0° Straight 1-5/8"-37 6" 1/2" Double Bend Control Arm. For Fruehauf with 4-hole cam bracket. Replaces 400-10214, 409-10674

MERITOR CLEARANCE SENSING AUTOMATIC SLACK ADJUSTERS

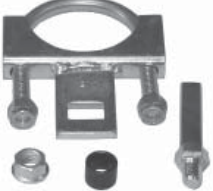







HARDWARE

| | PART NUMBER | DESCRIPTION | REPLACES | NOTES |
|--|-------------|--------------------------|-----------|---|
|  | R810320 | Flange Nut | 443-10204 | 7/16"-14 thread. |
|  | R810323 | Bushing | 452-10128 | Serrated. 5/8" I.D. x 13/16" O.D. |
|  | R810324 | Slide Nut | 443-10101 | 7/16"-14 thread. |
|  Length | R810326 | Double Flat Stud - Short | 443-10290 | 2-3/4" length. |
| | R810325 | Double Flat Stud - Long | 443-10299 | 3" length. |
|  | R810321 | Anchor Screw | 443-10096 | Length 1", 7/16"-14 thread. |
| | R810317 | Anchor Screw | 443-10188 | Length 1-1/4", 7/16"-14 thread. Use with R810324 slide nut. |
|  | R810318 | Grommet | 452-10125 | 1-9/32" length x 11/16" width. |
|  | R810319 | Bracket | | |
|  | R810322 | Bushing | 452-10058 | 1/2" I.D. x 5/8" O.D. |
|  | R810327 | Service Kit | 427-10558 | Includes 4 cap nuts, 4 anchor pins, 4 bushings. Services 4 ASA's. |

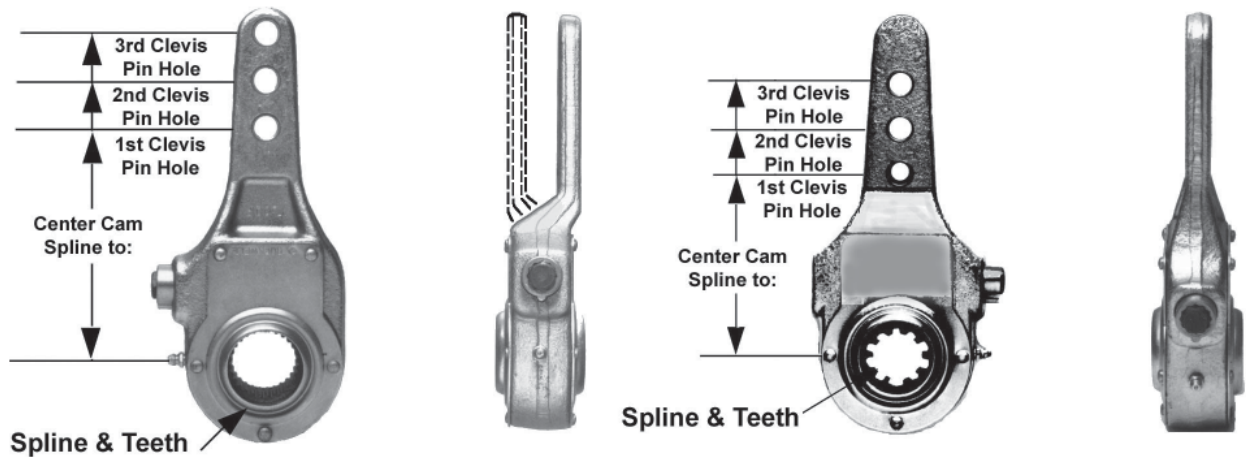
MERITOR CLEARANCE SENSING AUTOMATIC SLACK ADJUSTERS

| PART NUMBER | APPLICATION | BRACKET STYLE | REPLACES | NOTES |
|-------------|-------------|---------------|----------|-------|
|-------------|-------------|---------------|----------|-------|

SERVICE BRACKET KITS

| | | | | | |
|---|----------------|----------------------|----------------|-----------|---|
|  | R810302 | Drive and Steer Axle | Clamp | 427-10566 | 2-1/4" clamp. For use with Mack 16,000 lb.+ brakes. |
|  | R810303 | Steer Axle | Clamp | 427-10567 | 2" u-bolt clamp. |
|  | R810310 | Steer Axle | Clamp | 427-10497 | 2-1/4" clamp. For use with 5/8" offset asa's. |
|  | R810301 | Trailer Axle | Plate and Stud | 427-10563 | Cam support bracket |
|  | R810308 | Trailer Axle | Plate and Stud | 427-10565 | Cam support bracket with control arm bushing. |
|  | R810300 | Drive Axle | Strap | 427-10553 | Angled 1-1/4" x 7" strap |
|  | R810306 | Drive Axle | Strap | 427-10554 | 1-1/4" x 4-3/4" strap. For use with Kenworth 8 air bag drive axle brakes. |
|  | R810312 | | Stud | 427-10517 | |

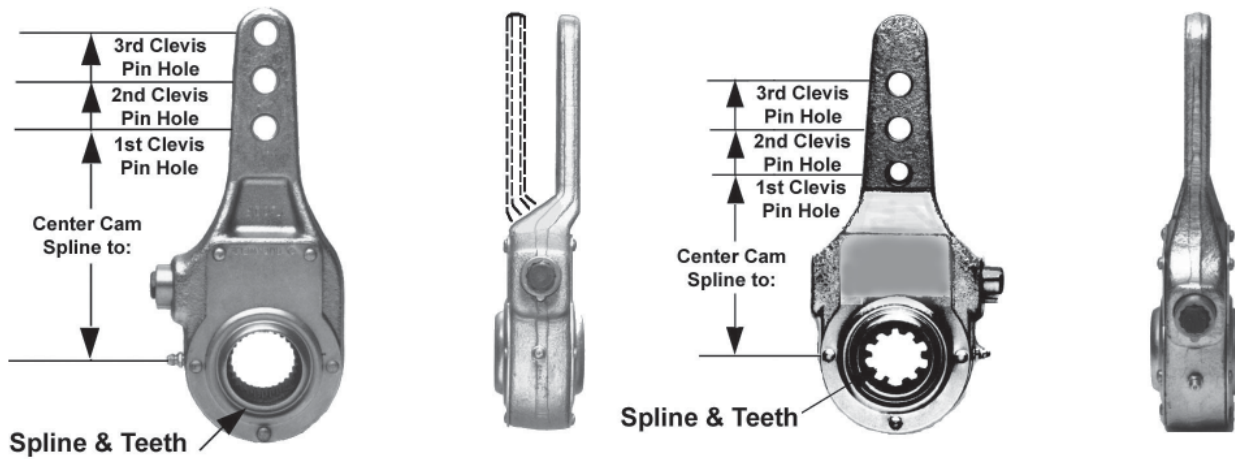
MANUAL SLACK ADJUSTERS



| PART NUMBER | ARM LENGTH | | | STRAIGHT/ OFFSET | SPLINE DIA. & NO. OF TEETH | MAXIMUM TORQUE RATING (IN/LBS) | REPLACES | CLEVIS PIN DIA. | REMARKS |
|-----------------|---|--|---|---------------------|-------------------------------|---|---|--------------------|-----------------------|
| | CENTER CAM SPLINE TO FIRST CLEVIS PIN HOLE | CENTER CAM SPLINE TO SECOND CLEVIS PIN HOLE | CENTER CAM SPLINE TO THIRD CLEVIS PIN HOLE | | | | | | |
| R825007 | 4" | 5" | | Straight | 1-1/4"-40 | 26,000 | | 1/2" | |
| R825009 | 4" | 5" | | Straight | 1-1/2"-48 | 26,000 | E9105 | 1/2" | |
| R824009 | 4-1/2" | 5-1/2" | | Straight | 1-1/4"-10 | 22,000 | 278302, E4904, KN48031 | 1/2" | Economy slack |
| R822008 | 5" | 6" | 7" | Straight | 1-1/4"-10 | 22,000 | 10398, 10400, 10400BULK, 222477, 278303, E939, KN48001, L2495, M2582, S2021A | 1/2" | |
| R823000 | 5" | 6" | 7" | Straight | 1-1/2"-10 | 30,000 | 10393BULK, 1850, 18501, 18502, 2100, 212101, 212102, 212116, 222812, 2300, 27323, 278010, 278045, 278719, 6200, 63402, E1063HD, E1063HDBK, E2763, E612HD, E612HDBK, KN47081, KN52100, L196, L562, M10WR119, M16WR100, M16WR105, M435, M451, M452 | 1/2" | |
| R823002 | 5" | 6" | 7" | Straight | 1-1/2"-28 | 30,000 | 101207, 101215, 10355, 10355HD, E2458HD, E2458HDBK, L1308, M638 | 1/2" | |
| R823005 | 5" | 6" | | LH 1-1/2" | 1-1/2"-10 | 30,000 | 10357, 212113, 278106, 288542, E1116, E1116LH, L559, M16WR1002 | 1/2" | |
| R824000 | 5" | 6" | 7" | Straight | 1-1/2"-10 | 22,000 | 10351BULK, E612BK, L196, M10WR119, M452 | 1/2" | Economy slack |
| R824003 | 5" | 6" | 7" | Straight | 1-1/2"-28 | 22,000 | E2458S | 1/2" | Economy slack |
| A35-3275-J-1050 | 5-1/2" | 6-1/2" | | Straight | 1-1/2"-10 | 30,000 | | 5/8" | 90° grease fitting |
| A6-3275-J-1050 | 5-1/2" | 6-1/2" | | Straight | 1-1/2"-28 | 30,000 | | 5/8" | |

Note: Clevis not included with manual slack adjusters.
30,000 in/lb. torque rated slack adjusters are gasket or o-ring sealed for corrosion protection.

MANUAL SLACK ADJUSTERS



| PART NUMBER | ARM LENGTH | | | STRAIGHT/ OFFSET | SPLINE DIA. & NO. OF TEETH | MAXIMUM TORQUE RATING (IN/LBS) | REPLACES | CLEVIS PIN DIA. | REMARKS |
|-------------|---|--|---|---------------------|-------------------------------|---|---|--------------------|------------------|
| | CENTER CAM SPLINE TO FIRST CLEVIS PIN HOLE | CENTER CAM SPLINE TO SECOND CLEVIS PIN HOLE | CENTER CAM SPLINE TO THIRD CLEVIS PIN HOLE | | | | | | |
| R823001 | 5-1/2" | 6-1/2" | | Straight | 1-1/2"-10 | 30,000 | 10366BULK, 18511, 278008, 278016, E940HD, E940HDBK, L2493, L845, M1064 | 1/2" | |
| R823003 | 5-1/2" | 6-1/2" | | Straight | 1-1/2"-28 | 30,000 | 101214, 10368, 10368HD, 286740, 287899, E2459HD, E2459HDBK, L1648 | 1/2" | |
| R824001 | 5-1/2" | 6-1/2" | | Straight | 1-1/2"-10 | 22,000 | E940S | 1/2" | Economy slack |
| R824004 | 5-1/2" | 6-1/2" | | Straight | 1-1/2"-28 | 22,000 | E2459S | 1/2" | Economy slack |
| R825002 | 5-1/2" | | | Straight | 1-1/4"-10 | 26,000 | | 1/2" | |
| R825004 | 5-1/2" | | | LH 5/8" | 1-1/4"-10 | 26,000 | | 1/2" | |
| R825013 | 5-1/2" | 6-1/2" | | Straight | 1-1/2"-28 | 26,000 | | 5/8" | |
| R825017 | 5-1/2" | | | RH 5/8" | 1-1/2"-28 | 26,000 | | 5/8" | |
| R825018 | 5-1/2" | | | LH 5/8" | 1-1/2"-28 | 26,000 | | 5/8" | |
| R825020 | 5-1/2" | | | Straight | 1-1/4"-24 | 26,000 | E9102, E9602, L3225, S2024 | 1/2" | |
| R822007 | 6" | | | Straight | 1-5/8"-37 | 22,000 | 10379, 10379BULK, 283411, 82070, E1574BK, H2012A, KN44041, S2012A | 1/2" | |
| R823008 | 6" | | | Straight | 1-5/8"-37 | 30,000 | 10367, 10367BULK, 18536, E1574HD, E1574HDBK, L841 | 1/2" | |
| R824007 | 6" | | | Straight | 1-5/8"-37 | 22,000 | E1574S | 1/2" | Economy slack |

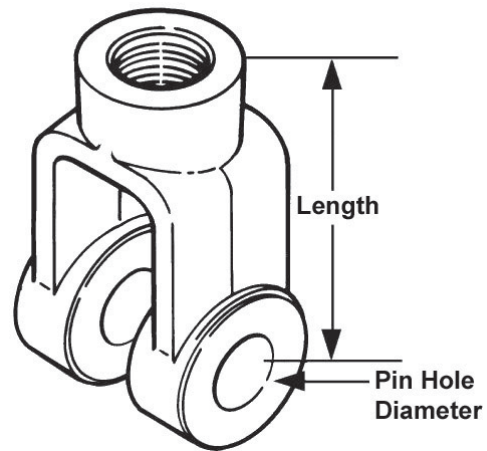
Note: Clevis not included with manual slack adjusters.
30,000 in/lb. torque rated slack adjusters are gasket or o-ring sealed for corrosion protection.

MANUAL SLACK ALTERNATE NUMBER GUIDE

| MERITOR PRODUCTION PART NO. | AFTERMARKET PART NO. | ECONOMY PART NO. | MERITOR PRODUCTION PART NO. | AFTERMARKET PART NO. | ECONOMY PART NO. |
|-----------------------------|----------------------|------------------|-----------------------------|----------------------|------------------|
| A4-3275-G-501 | R823000 | | B30-3275-X-518 | R825011 | |
| A60-3275-G-501 | R825000 | | B31-3275-X-518 | R825012 | |
| A61-3275-G-501 | R825001 | | A10-3275-A-521 | R823004 | |
| A62-3275-G-501 | R823000 | | A16-3275-A-521 | R823005 | |
| A69-3275-G-501 | R822001 | R935002 | A4-3275-X-596 | R823002 | |
| B18-3275-G-501 | R823001 | | A5-3275-X-596 | R823003 | |
| B64-3275-G-501 | R823000 | | A6-3275-X-596 | R822003 | R824003 |
| B98-3275-G-501 | R822014 | R824014 | A7-3275-X-596 | R822004 | R824004 |
| B99-3275-G-501 | R822013 | R824013 | A11-3275-X-596 | R825013 | |
| C-3275-G-501 | R825002 | | A17-3275-X-596 | R823003 | |
| C41-3275-G-501 | R822009 | R824009 | A18-3275-X-596 | R822004 | R824004 |
| C43-3275-G-501 | R822009 | R824009 | A38-3275-X-596 | R823002 | |
| C46-3275-G-501 | R825003 | | A44-3275-X-596 | R823002 | |
| C55-3275-G-501 | R825004 | | A49-3275-X-596 | R825014 | |
| C56-3275-G-501 | R825005 | | A50-3275-X-596 | R825015 | |
| C61-3275-G-501 | R825006 | | A51-3275-X-596 | R825016 | |
| C62-3275-G-501 | R823001 | | A53-3275-X-596 | R823003 | |
| C64-3275-G-501 | R825007 | | A54-3275-X-596 | R825017 | |
| C65-3275-G-501 | R825008 | | A55-3275-X-596 | R825018 | |
| C66-3275-G-501 | R825009 | | A61-3275-X-596 | R823002 | |
| A5-3275-X-518 | R823000 | | A62-3275-X-596 | R823003 | |
| A7-3275-X-518 | R823000 | | A67-3275-X-596 | R823002 | |
| B19-3275-X-518 | R823002 | | A90-3275-X-596 | R825019 | |
| B20-3275-X-518 | R823003 | | A-3275-L-1052 | R825020 | |
| B22-3275-X-518 | R825010 | | A20-3275-J-1050 | R825014 | |

NOTE: This cross reference can only be used to find an alternate slack going from the Meritor Production number to the Aftermarket or Economy number. The Aftermarket and Economy parts have more application uses and therefore cannot be crossed back to the Meritor Production number.

MANUAL SLACK ADJUSTER CLEVISES NON-MERITOR



| PART NUMBER | PIN HOLE DIAMETER | THREAD | LENGTH | CLEVIS TYPE | REPLACES |
|-------------|-------------------|---------|----------|-------------|----------|
| 1245-C-185 | 1/2" | 5/8"-18 | 1-13/16" | Straight | M1382 |
| 1245-K-193 | 1/2" | 1/2"-20 | 1-13/16" | Straight | |
| 1245-D-186 | 5/8" | 5/8"-18 | 1-13/16" | Straight | |
| 1245-S-201 | 3/4" | 5/8"-18 | 2" | Straight | |

SECTION 9

INDEX

Air Chambers and Related Parts

| | |
|--|------|
| Air Chamber Boot | 9-2 |
| Air Chamber Boot Seal..... | 9-2 |
| Air Chamber Clamp Ring Bolts | 9-3 |
| Air Chamber Clamp Rings | 9-3 |
| Air Chamber Diaphragms | 9-2 |
| Air Chamber Push Rods | 9-3 |
| Chamber Bracket Gasket..... | 9-3 |
| Chamber Bracket Lubrication Fitting..... | 9-4 |
| Chamber Mounting Brackets for Trailer Axles..... | 9-4 |
| Non-Pressure Housing and Boot Assemblies | 9-2 |
| Type 9 Wedge Brake Service Chambers..... | 9-1 |
| Type 12 Wedge Brake Service Chambers..... | 9-1 |
| Type 16 Cam Brake Service Chambers | 9-ii |
| Type 16 Wedge Brake Service Chambers..... | 9-1 |
| Type 20 Cam Brake Service Chambers | 9-ii |
| Type 24 Cam Brake Service Chambers | 9-ii |
| Type 30 Cam Brake Service Chambers | 9-ii |
| Type 36 Cam Brake Service Chambers | 9-ii |

BRAKE SERVICE CHAMBERS - CAM BRAKES

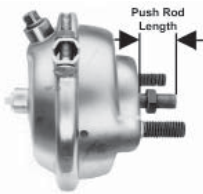
| PART NUMBER | PUSH ROD LENGTH | REMARKS |
|-------------|-----------------|---------|
|-------------|-----------------|---------|

TYPE 16 CAM BRAKE SERVICE CHAMBER



| | | |
|---------|-----|--|
| R870016 | 10" | Includes push rod nut, stud nuts, and washers. |
|---------|-----|--|

TYPE 20 CAM BRAKE SERVICE CHAMBERS



| | | |
|--------------|--------|--|
| V3-3276-T-20 | 1-1/2" | |
|--------------|--------|--|



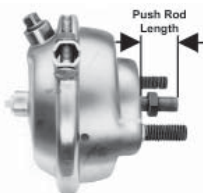
| | | |
|---------|-----|--|
| R870020 | 10" | Includes push rod nut, stud nuts, and washers. |
|---------|-----|--|

TYPE 24 CAM BRAKE SERVICE CHAMBER



| | | |
|---------|-----|--|
| R870024 | 10" | Includes push rod nut, stud nuts, and washers. |
|---------|-----|--|

TYPE 30 CAM BRAKE SERVICE CHAMBERS



| | | |
|-------------|--------|--|
| V-3276-D-30 | 1-1/2" | |
|-------------|--------|--|



| | | |
|---------|-----|--|
| R870030 | 10" | Includes push rod nut, stud nuts, and washers. |
|---------|-----|--|

TYPE 36 CAM BRAKE SERVICE CHAMBER

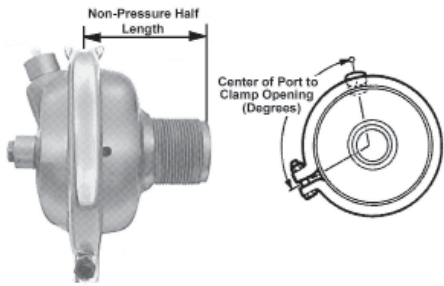


| | | |
|---------|-----|--|
| R870036 | 10" | Includes push rod nut, stud nuts, and washers. |
|---------|-----|--|

BRAKE SERVICE CHAMBERS - WEDGE BRAKES

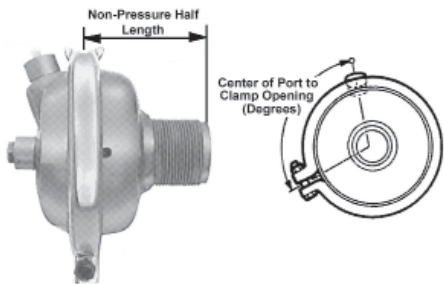
| PART NUMBER | NON-PRESSURE HALF LENGTH | CENTER OF PORT TO CLAMP OPENING | REMARKS |
|-------------|--------------------------|---------------------------------|---------|
|-------------|--------------------------|---------------------------------|---------|

TYPE 9 WEDGE BRAKE SERVICE CHAMBER



| | | | |
|---------------|---------|------|--|
| Z65-3276-J-10 | 3-3/16" | 180° | |
|---------------|---------|------|--|

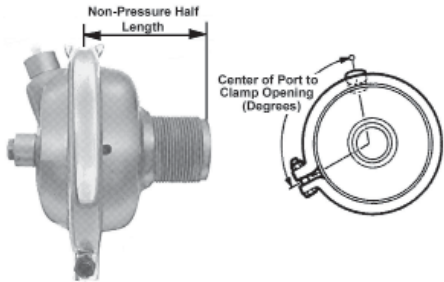
TYPE 12 WEDGE BRAKE SERVICE CHAMBERS



| | | | |
|---------------|----------|---------|--|
| M27-3276-L-12 | 2-1/2" | 270° | |
| M33-3276-L-12 | 3-3/16" | 180° | |
| M28-3276-L-12 | 4-3/16" | 180° | |
| M35-3276-L-12 | 4-3/16" | 180° | |
| B4-3775-L-12 | 4-17/64" | 22-1/2° | |

Kit for hole plugs is MPS 1892 (contains 12 plugs).

TYPE 16 WEDGE BRAKE SERVICE CHAMBERS



| | | | |
|---------------|-----------|-----|--|
| Z64-3276-P-16 | 5-11/16" | 0° | |
| Z71-3276-P-16 | 8-41/64" | 90° | |
| Z66-3276-P-16 | 10-33/64" | 0° | |

AIR CHAMBER RELATED PARTS

NON-PRESSURE HOUSING AND BOOT ASSEMBLIES



| PART NUMBER | CHAMBER TYPE | OVERALL LENGTH |
|---------------|--------------|----------------|
| A-3780-R-122 | 12 | 3-1/8" |
| A3-3780-R-122 | 12 | 4-1/8" |

AIR CHAMBER BOOT



| PART NUMBER | OUTER DIAMETER | APPLICATION INFORMATION |
|-------------|----------------|--------------------------|
| 2760-A-27 | 4-27/32" | 24 square inch chambers. |

AIR CHAMBER BOOT SEAL



| PART NUMBER | CHAMBER TYPE | OUTER DIAMETER | PUSH ROD HOLE DIA. |
|-------------|--------------|----------------|--------------------|
| 1205-A-1327 | 12, 16, 9 | 2-19/32" | 5/8" |

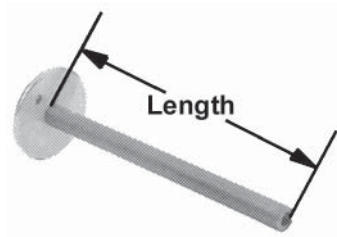
AIR CHAMBER DIAPHRAGMS



| PART NUMBER | CHAMBER TYPE | OUTER DIAMETER | REPLACES |
|-------------|--------------|----------------|--|
| 2797-B-1042 | 9 | 5-1/16" | 18090, 234433, 40M009, 8017109, E8888, M460 |
| 2797-D-56 | 12 | 5-15/32" | 1262001, 18120, 234226, 44M009, 8017112, E8889, M461 |
| 2797-B-106 | 16 | 6-5/32" | 18160, 234189, 8017116, 8017516, E8890, M462 |

AIR CHAMBER RELATED PARTS

AIR CHAMBER PUSHRODS



| PART NUMBER | CHAMBER TYPE | LENGTH |
|----------------|--------------|----------|
| A28-1779-V-230 | 12 | 1-1/8" |
| A73-1779-V-230 | 12 | 2-7/32" |
| A7-1779-V-230 | 12 | 9-9/16" |
| A59-1779-V-230 | 12 | 14-5/64" |
| A4-1779-X-232 | 16 | 3-5/16" |

AIR CHAMBER CLAMP RINGS



| PART NUMBER | CHAMBER TYPE | DIAMETER |
|---------------|--------------|----------|
| A-2257-M-1079 | 12 | 6" |
| 2797-G-111 | 16 | 6-3/16" |

AIR CHAMBER CLAMP RING BOLTS



| PART NUMBER | LENGTH | THREAD | CHAMBER TYPE |
|-------------|--------|----------|--------------|
| 1779-A-235 | 1-1/2" | 5/16"-24 | 12 |
| 15-X-725 | 1-3/4" | 5/16"-18 | 12 |

CHAMBER BRACKET GASKET



| PART NUMBER | I.D. | O.D. | THICKNESS | REPLACES | APPLICATION INFORMATION |
|-------------|--------|---------|-----------|---|--|
| 1205-G-761 | 1-7/8" | 2-1/16" | 1/8" | 271203, 301375, B8690, C65750, E3859, L1662, L3056, M1095 | O-ring for 16-1/2" x 7" used to retrofit Q to Q Plus™ brakes. Rubber chamber bracket gasket, used on 16-1/2" and 18" P and Q brakes. |

AIR CHAMBER RELATED PARTS

CHAMBER BRACKET LUBRICATION FITTING



| PART NUMBER | OVERALL LENGTH | THREAD | APPLICATION INFORMATION |
|-------------|----------------|----------------|-------------------------|
| 1199-N-1860 | 23/32" | 1/8"-27 P.T.F. | Straight. 16-1/2" x 7" |

CHAMBER MOUNTING BRACKETS FOR TRAILER AXLES



3299-U-5299 SHOWN
3299-A-5981 has
radius to fit
tubular axles



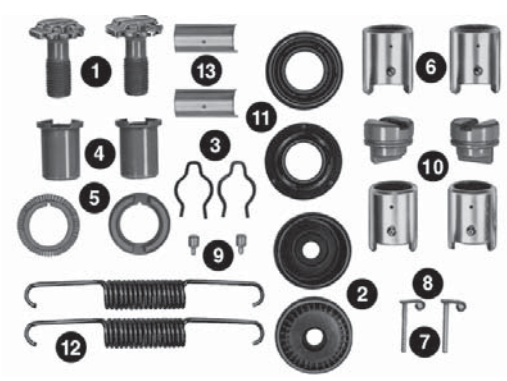
| PART NUMBER | REPLACES | APPLICATION INFORMATION |
|-------------|---|--|
| 3299-A-5981 | 210128, 2138, B120811, E2681A, L306, M431, M701 | TN, TK, TR, TP. Radius to fit tubular axles. |
| 3299-U-5299 | 2134, E2096, M700, M702 | RQ, RN. |

INDEX

Wedge Brake Parts

| | |
|---|-------|
| Adjusting Pawls and Assemblies | 10-10 |
| Adjusting Plunger Assemblies | 10-11 |
| Adjusting Plungers | 10-11 |
| Anchor Plungers | 10-11 |
| Anti-Rattle Rods | 10-17 |
| Miscellaneous Wedge Parts | 10-16 |
| Nuts (Collet and Retaining) | 10-17 |
| Plunger Guide Assembly | 10-13 |
| Plunger Guide Gasket | 10-13 |
| Plunger Guides | 10-13 |
| Plunger Seals | 10-12 |
| Screws (Bleeder and Adjusting Pawl) | 10-16 |
| Wedge Assemblies | 10-14 |
| Wedge Brake Actuators | 10-8 |
| Wedge Brake Adjuster Assemblies | 10-9 |
| Wedge Brake Adjusting Bolt Parts | 10-9 |
| Wedge Brake Adjusting Bolts | 10-9 |
| Wedge Brake Adjusting Pawl Springs | 10-8 |
| Wedge Brake Hold Down Clips | 10-18 |
| Wedge Brake Plugs | 10-18 |
| Wedge Brake Repair Kits | 10-ii |
| Wedge Brake Shoe Hold-Down Kits | 10-6 |
| Wedge Brake Shoe Hold-Down Springs | 10-8 |
| Wedge Brake Shoe Retainers | 10-17 |
| Wedge Brake Shoe Return Spring Pin | 10-17 |
| Wedge Brake Springs | 10-7 |
| Wedge Brake Washers | 10-15 |
| Wedge Guide | 10-15 |
| Wedge Roller Cages | 10-15 |

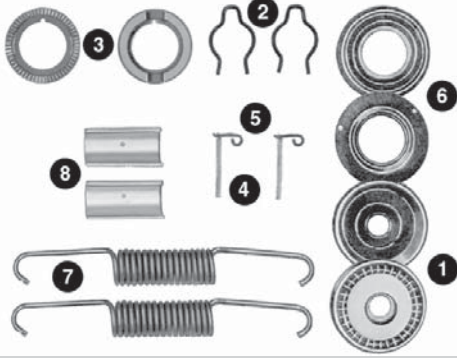
WEDGE BRAKE REPAIR KITS

| | ITEM | QTY | PART NUMBER | DESCRIPTION | APPLICATION INFORMATION |
|--|------|--------------------|-----------------------|----------------------------|---|
| KIT 1168 Meritor 12-1/4" and 15"  | | | 12° | | |
| | 1 | 2 | A-3280-V-8186S | Adjusting Plunger Assembly | Adjuster parts for 12° assembly wedge angle. Services one brake. |
| 2 | 2 | 1205-C-2005 | Adjuster Seal | | |
| KIT 1165 Meritor 12-1/4" and 15"  | | | 14° | | |
| | 1 | 2 | A-3280-W-8187 | Adjusting plunger | Adjuster parts and return spring for 14° wedge angle. Services one brake. |
| | 2 | 2 | A-2297-L-3158 | Bolt Assembly | |
| | 3 | 2 | 2258-H-580 | Return Spring | |
| 4 | 2 | 1205-C-2005 | Adjuster Seal | | |
| R670015 Bendix 15"  | 1 | 2 | R670021 | Adjusting Screw | Major rebuild kit for "Twin-Plex" brake. Universal for right and left brakes. Replaces: 100140, E2157, K235, K31, K31Z, MK37 |
| | 2 | 2 | R670001 | Adjusting Piston Boot | |
| | 3 | 2 | R670002 | Adjusting Overload Spring | |
| | 4 | 2 | R670003 | Adjusting Nut | |
| | 5 | 2 | R670004 | Adjusting Nut Cap | |
| | 6 | 2 | R670005 | Adjusting Piston | |
| | 7 | 2 | R670019 | Adjusting Lever Spring | |
| | 8 | 2 | R670018 | Adjusting Lever | |
| | 9 | 2 | R670027 | Adjusting Lever Pin | |
| | 10 | 2 | R670028 | Anchor Pin | |
| | 11 | 2 | R670006 | Anchor Piston Boot | |
| | 12 | 2 | R670020 | Return Spring | |
| | 13 | 2 | R670029 | Damper Spring | |
| | 14 | 1 | R670026 | Lubricant (not shown) | |

WEDGE BRAKE REPAIR KITS

R670016

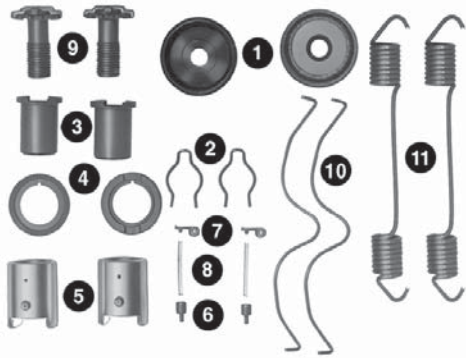
Bendix 15"



| ITEM | QTY | PART NUMBER | DESCRIPTION | APPLICATION INFORMATION |
|------|-----|-------------|---------------------------|--|
| 1 | 2 | R670001 | Adjusting Piston Boot | Minor rebuild kit for "Twin-Plex" brake. Replaces: 319114, E2158, K64, MK35 |
| 2 | 2 | R670002 | Adjusting Overload Spring | |
| 3 | 2 | R670004 | Adjusting Nut Cap | |
| 4 | 2 | R670019 | Adjusting Lever Spring | |
| 5 | 2 | R670018 | Adjusting Lever | |
| 6 | 2 | R670006 | Anchor Piston Boot | |
| 7 | 2 | R670020 | Return Spring | |
| 8 | 2 | R670029 | Damper Spring | |
| 9 | 1 | R670026 | Lubricant (not shown) | |

R670025

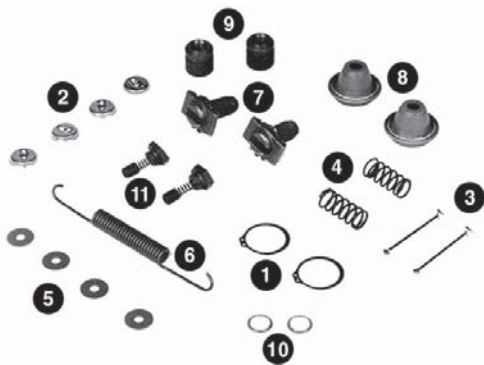
Bendix 15"



| | | | | |
|----|---|---------|---------------------------|---|
| 1 | 2 | R670001 | Adjusting Piston Boot | Overhaul kit for Non-Servo front axle brake. Replaces: 100150, 100151, E2746, K308, K311, MK70 |
| 2 | 2 | R670002 | Adjusting Overload Spring | |
| 3 | 2 | R670003 | Adjusting Nut | |
| 4 | 2 | R670004 | Adjusting Nut Cap | |
| 5 | 2 | R670005 | Adjusting Piston | |
| 6 | 2 | R670027 | Adjusting Lever Pin | |
| 7 | 2 | R670018 | Adjusting Lever | |
| 8 | 2 | R670019 | Adjusting Lever Spring | |
| 9 | 2 | R670021 | Adjusting Screw | |
| 10 | 2 | R670023 | Moustache Spring | |
| 11 | 2 | R670024 | Return Spring | |
| 12 | 1 | R670026 | Lubricant (not shown) | |

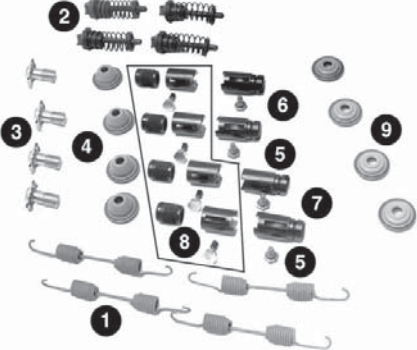
KIT 1191

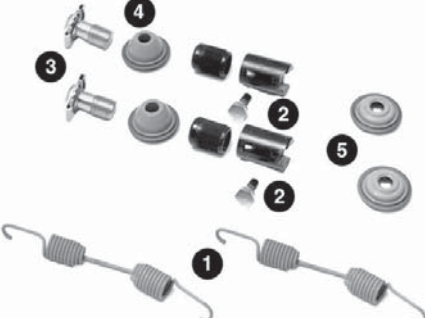
Meritor 15"




| | | | | |
|----|---|---------------|-------------------------|--|
| 1 | 2 | 1229-X-1116 | Snap Ring | 15" Stopmaster backing plate mounted front axle. Services one brake. Replaces: E3526, E5543, MK76 |
| 2 | 4 | 1807-A-1 | Spring Retainer | |
| 3 | 2 | 1779-Q-147 | Retainer Pin Rod | |
| 4 | 2 | 2858-T-46 | Alignment Spring | |
| 5 | 4 | 1829-P-198 | Washer | |
| 6 | 1 | 2758-Q-43 | Spring | |
| 7 | 2 | A-2297-V-2882 | Adjusting Bolt | |
| 8 | 2 | A3-1705-M-221 | Seal | |
| 9 | 2 | 2297-N-2874 | Actuator | |
| 10 | 2 | 1729-B-262 | Washer | |
| 11 | 2 | A-2297-B-5670 | Adjusting Pawl Assembly | |

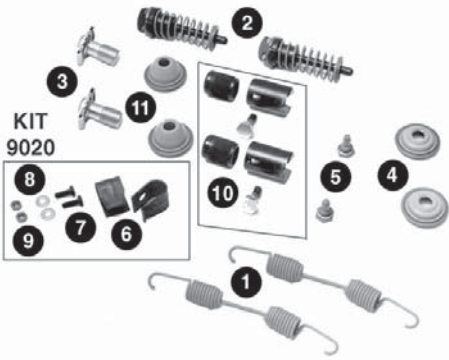
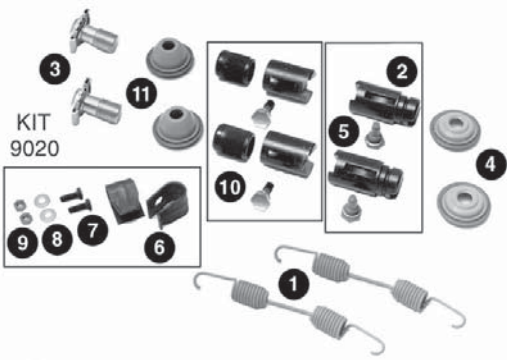
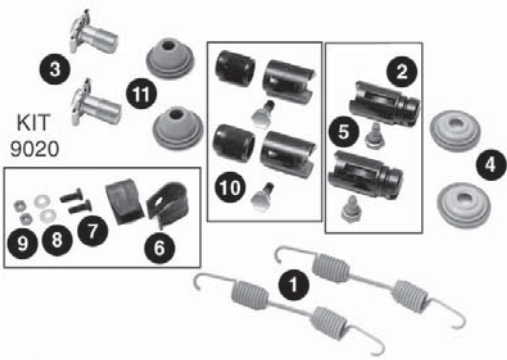
WEDGE BRAKE REPAIR KITS

| | ITEM | QTY | PART NUMBER | DESCRIPTION | APPLICATION INFORMATION |
|---|------------|--------------------|-----------------------|----------------------------|--|
| KIT 1105B Meritor 15"  | 12° | | | | |
| | 1 | 4 | 2258-H-580 | Return Spring | Rebuild kit for 12° dual actuated Stopmaster II brake. Similar to KIT 9006B plus anchor plungers, less hold-down KIT 9020. Post-121 brake spiders with ridge on pawl. Services two brakes. Replaces: E2523A, E2523A2524A, E2524A, E7213A, K23, K2324, K24, K323, MK31, MK31/32, MK3132, MK32 |
| | 2 | 4 | A-2247-D-1018 | 12 Degree Wedge Assembly | |
| | 3 | 4 | A-2297-L-3158 | Bolt Assembly | |
| | 4 | 4 | 1205-C-2005 | Adjuster Seal | |
| | 5 | 4 | A-1779-M-195 | Piston Plunger Assembly | |
| | 6 | 2 | 2297-Y-5329 | Anchor Plunger LH | |
| | 7 | 2 | 2297-Z-5330 | Anchor Plunger RH | |
| | 8 | 4 | A-3280-V-8186S | Adjusting Plunger Assembly | |
| 9 | 4 | 1205-B-2004 | Anchor Seal | | |




| | | | | | |
|---|------------|--------------------|-----------------------|----------------------------|---|
| KIT 1106B Meritor 15"  | 12° | | | | |
| | 1 | 2 | 2258-H-580 | Return Spring | Minor rebuild kit for 12° dual actuated Stopmaster II brake. Same as KIT 1164 plus anchor seal. Services one brake. Replaces: E2525A, K325, K63, MK30 |
| | 2 | 2 | A-3280-V-8186S | Adjusting Plunger Assembly | |
| | 3 | 2 | A-2297-L-3158 | Bolt Assembly | |
| | 4 | 2 | 1205-C-2005 | Adjuster Seal | |
| 5 | 2 | 1205-B-2004 | Anchor Seal | | |

| | | | | | |
|--|------------|--------------------|-----------------------|----------------------------|---|
| KIT 1164 Meritor 15"  | 12° | | | | |
| | 1 | 2 | 2258-H-580 | Return Spring | Minor rebuild kit for 12° dual actuated Stopmaster II brake. Same as KIT 1106B less anchor seal. Services one brake. Replaces: K325 |
| | 2 | 2 | A-3280-V-8186S | Adjusting Plunger Assembly | |
| | 3 | 2 | A-2297-L-3158 | Bolt Assembly | |
| 4 | 2 | 1205-C-2005 | Adjuster Seal | | |


WEDGE BRAKE REPAIR KITS


| | ITEM | QTY | PART NUMBER | DESCRIPTION | APPLICATION INFORMATION |
|---|------|-----|----------------|----------------------------|--|
| KIT 9006B Meritor 15"  | 1 | 2 | 2258-H-580 | Return Spring | Rebuild kit for 12° dual actuated Stopmaster II brake. Similar to KIT 1105B less anchor plungers, plus hold-down KIT 9020. Services one brake. |
| | 2 | 2 | A-2247-D-1018 | 12 Degree Wedge Assembly | |
| | 3 | 2 | A-2297-L-3158 | Bolt Assembly | |
| | 4 | 2 | 1205-B-2004 | Anchor Seal | |
| | 5 | 2 | A-1779-M-195 | Piston Plunger Assembly | |
| | 6 | 2 | 2257-M-1001 | Hold Down Clip | |
| | 7 | 2 | S-146 | Capscrew | |
| | 8 | 2 | WA-34Z | Lockwasher | |
| | 9 | 2 | N-14 | Nut | |
| | 10 | 2 | A-3280-V-8186S | Adjusting Plunger Assembly | |
| | 11 | 2 | 1205-C-2005 | Adjuster Seal | |
| KIT 9006LHB Meritor 15"  | 1 | 2 | 2258-H-580 | Return Spring | Left wheel rebuild kit for 12° dual actuated Stopmaster II brake. Same as KIT 9006B less wedges, plus anchor plungers. Services one brake. |
| | 2 | 2 | 2297-Y-5329 | Anchor Plunger LH | |
| | 3 | 2 | A-2297-L-3158 | Bolt Assembly | |
| | 4 | 2 | 1205-B-2004 | Anchor Seal | |
| | 5 | 2 | A-1779-M-195 | Piston Plunger Assembly | |
| | 6 | 2 | 2257-M-1001 | Hold Down Clip | |
| | 7 | 2 | S-146 | Capscrew | |
| | 8 | 2 | WA-34Z | Lockwasher | |
| | 9 | 2 | N-14 | Nut | |
| | 10 | 2 | A-3280-V-8186S | Adjusting Plunger Assembly | |
| | 11 | 2 | 1205-C-2005 | Adjuster Seal | |
| KIT 9006RHB Meritor 15"  | 1 | 2 | 2258-H-580 | Return Spring | Right wheel rebuild kit for 12° dual actuated Stopmaster II brake. Same as KIT 9006B less wedges, plus anchor plungers. Services one brake. |
| | 2 | 2 | 2297-Z-5330 | Anchor Plunger RH | |
| | 3 | 2 | A-2297-L-3158 | Bolt Assembly | |
| | 4 | 2 | 1205-B-2004 | Anchor Seal | |
| | 5 | 2 | A-1779-M-195 | Piston Plunger Assembly | |
| | 6 | 2 | 2257-M-1001 | Hold Down Clip | |
| | 7 | 2 | S-146 | Capscrew | |
| | 8 | 2 | WA-34Z | Lockwasher | |
| | 9 | 2 | N-14 | Nut | |
| | 10 | 2 | A-3280-V-8186S | Adjusting Plunger Assembly | |
| | 11 | 2 | 1205-C-2005 | Adjuster Seal | |

WEDGE BRAKE REPAIR KITS

| KIT | Meritor | ANGLE | ITEM | QTY | PART NUMBER | DESCRIPTION | APPLICATION INFORMATION | | | | | |
|------------------|------------------------|--------------------|--|-----|-------------|-------------|-------------------------|--|----|---|----------------|--------------------------|
| KIT 1134 | Meritor 15-1/8" | 10° |  | | | | | Coach applications. 15-1/8" 10° wedge brake repair kit. Services one wheel end. | | | | |
| | | | | | | | | | 1 | 2 | A-3105-A-183 | Retainer Assembly |
| | | | | | | | | | 2 | 2 | 3280-X-7356 | Anchor Plunger |
| | | | | | | | | | 3 | 2 | 19-X-96 | Pin |
| | | | | | | | | | 4 | 2 | 5-X-866 | O-Ring |
| | | | | | | | | | 5 | 2 | 1227-Z-1170 | Nut |
| | | | | | | | | | 6 | 2 | A3-2297-J-3312 | Actuator Assembly |
| | | | | | | | | | 7 | 2 | A2-1705-Q-277 | Seal |
| | | | | | | | | | 8 | 2 | 2297-W-3299 | Adjusting plunger |
| | | | | | | | | | 9 | 2 | A1-1199-D-3384 | Guide Pawl Assembly |
| | | | | | | | | | 10 | 2 | 2208-D-82 | Gasket |
| | | | | | | | | | 11 | 2 | A-2247-Z-52 | 10 Degree Wedge Assembly |
| 12 | 2 | 2258-Z-702 | Return Spring | | | | | | | | | |
| KIT 1114 | Meritor 17" | 12° and 15° |  | | | | | Pin and snap ring kit for 17" x 6" Stopmaster 3722-U-489 brake shoe only. Services one shoe. | | | | |
| | | | | | | | | | 1 | 1 | 19-X-94 | Pin |
| | | | 2 | 1 | 1229-A-1223 | Snap Ring | | | | | | |
| KIT 1186B | Meritor 17" | 12° |  | | | | | Rebuild kit for 12° actuation RD wedge brakes. Services one brake. | | | | |
| | | | | | | | | | 1 | 1 | 2297-U-3895 | Anchor Plunger |
| | | | | | | | | | 2 | 1 | 2297-T-3894 | Anchor Plunger |
| | | | | | | | | | 3 | 2 | 2297-S-2827 | Adjusting plunger |
| | | | | | | | | | 4 | 2 | 1779-J-218 | Plunger Guide |
| | | | | | | | | | 5 | 2 | 1729-G-293 | Washer |
| | | | | | | | | | 6 | 2 | A2-1705-H-138 | Seal |
| | | | | | | | | | 7 | 2 | A-1199-D-3384 | Guide Pawl Assembly |
| | | | | | | | | | 8 | 2 | 2297-N-2822 | Adjusting Bolt |
| | | | | | | | | | 9 | 2 | 1718-B-158 | Spring |
| | | | | | | | | | 10 | 2 | 1199-T-3738 | Brake Shoe Retainer |
| | | | | | | | | | 11 | 2 | 1718-T-150 | Spring |
| | | | | | | | | | 12 | 2 | 1229-R-2462 | Snap Ring |
| | | | | | | | | | 13 | 2 | 2297-Q-2825 | Actuator |
| | | | | | | | | | 14 | 2 | 2258-Y-597 | Return Spring |
| | | | | | | | | | 15 | 2 | A-1705-H-138 | Seal |
| | | | | | | | | | 16 | 2 | A-2247-D-56 | 12 Degree Wedge Assembly |
| | | | | | | | | | 17 | 4 | 2758-R-70 | Spring |
| | | | | | | | | | 18 | 4 | 15-X-1300 | Bolt |
| | | | | | | | | | 19 | 4 | 1729-X-258 | Washer |
| 20 | 4 | 1729-W-205Z | Guide Pin Washer | | | | | | | | | |
| 21 | 4 | N-54Z | Nut | | | | | | | | | |
| 22 | 4 | K-227 | Cotter Pin | | | | | | | | | |

WEDGE BRAKE REPAIR KITS

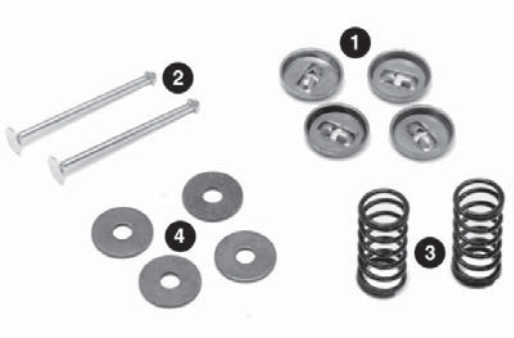
| KIT 1197B | Meritor 17" | 12° | ITEM | QTY | PART NUMBER | DESCRIPTION | APPLICATION INFORMATION |
|---|-------------|-----|------|-----|---------------|--------------------------------------|--|
|  | | | 1 | 1 | 2297-U-3895 | Anchor Plunger | Rebuild kit for 12° actuation RS wedge brakes. Services one brake. |
| | | | 2 | 1 | 2297-T-3894 | Anchor Plunger | |
| | | | 3 | 2 | 2297-S-2827 | Adjusting plunger 12 Degree Wedge | |
| | | | 4 | 1 | A-2247-D-56 | Assembly | |
| | | | 5 | 2 | 1779-J-218 | Plunger Guide | |
| | | | 6 | 2 | A-1199-D-3384 | Guide Pawl Assembly | |
| | | | 7 | 2 | A-2297-N-2822 | Adjusting Bolt | |
| | | | 8 | 1 | 1718-B-158 | Spring | |
| | | | 9 | 1 | 1199-T-3738 | Brake Shoe Retainer | |
| | | | 10 | 2 | 1729-G-293 | Washer | |
| | | | 11 | 2 | A2-1705-H-138 | Seal | |
| | | | 12 | 2 | 1718-T-150 | Spring | |
| | | | 13 | 2 | 1229-R-2462 | Snap Ring | |
| | | | 14 | 2 | 2297-Q-2825 | Actuator | |
| | | | 15 | 1 | 2258-F-630 | Spring | |
| | | | 16 | 1 | 2258-L-610 | Spring | |
| | | | 17 | 1 | 1250-P-484 | Plug | |
| | | | 18 | 2 | 2758-R-70 | Spring | |
| | | | 19 | 2 | 1729-X-258 | Washer | |
| | | | 20 | 2 | 1729-W-205Z | Guide Pin Washer | |
| | | | 21 | 2 | N-54Z | Nut | |
| | | | 22 | 2 | K-227 | Cotter Pin | |
| | | | 23 | 2 | 15-X-1300 | Bolt | |

| KIT 1197C | Meritor 17" | 14° | ITEM | QTY | PART NUMBER | DESCRIPTION | APPLICATION INFORMATION |
|---|-------------|-----|------|-----|---------------|--------------------------------------|---|
|  | | | 1 | 1 | 2297-U-3895 | Anchor Plunger | Rebuild kit for 15° actuation RSA wedge brakes. Services one brake. 6" Brake shoe width. |
| | | | 2 | 1 | 2297-T-3894 | Anchor Plunger | |
| | | | 3 | 2 | 2297-U-2829 | Adjusting plunger 15 Degree Wedge | |
| | | | 4 | 1 | A-2247-Y-51 | Assembly | |
| | | | 5 | 2 | 1779-J-218 | Plunger Guide | |
| | | | 6 | 2 | A-1199-D-3384 | Guide Pawl Assembly | |
| | | | 7 | 1 | 2297-N-2822 | Adjusting Bolt | |
| | | | 8 | 1 | 1718-B-158 | Spring | |
| | | | 9 | 1 | 1199-T-3738 | Brake Shoe Retainer | |
| | | | 10 | 2 | 1729-G-293 | Washer | |
| | | | 11 | 2 | A2-1705-H-138 | Seal | |
| | | | 12 | 2 | 1718-T-150 | Spring | |
| | | | 13 | 2 | 1229-R-2462 | Snap Ring | |
| | | | 14 | 2 | 2297-Q-2825 | Actuator | |
| | | | 15 | 1 | 2258-F-630 | Spring | |
| | | | 16 | 1 | 2258-L-610 | Spring | |
| | | | 17 | 1 | 1250-P-484 | Plug | |
| | | | 18 | 2 | 2758-R-70 | Spring | |
| | | | 19 | 2 | 1729-X-258 | Washer | |
| | | | 20 | 2 | 1729-W-205Z | Guide Pin Washer | |
| | | | 21 | 2 | N-54Z | Nut | |
| | | | 22 | 2 | K-227 | Cotter Pin | |
| | | | 23 | 2 | 15-X-1300 | Bolt | |

WEDGE BRAKE SHOE HOLD-DOWN KITS

KIT 1129

Meritor Stopmaster 15"



| ITEM | QTY | PART NUMBER | DESCRIPTION | APPLICATION INFORMATION |
|------|-----|-------------|------------------|---|
| 1 | 4 | 1807-A-1 | Spring Retainer | Shoe hold-down kit for single actuated backing plate mounted Stopmaster brake. Similar to KIT 1161 plus washers. Services one brake. Replaces: E3525, K112, K26, K26(2), M1082, M1082(2) |
| 2 | 2 | 1779-Q-147 | Retainer Pin Rod | |
| 3 | 2 | 2858-T-46 | Alignment Spring | |
| 4 | 4 | 1829-P-198 | Washer | |

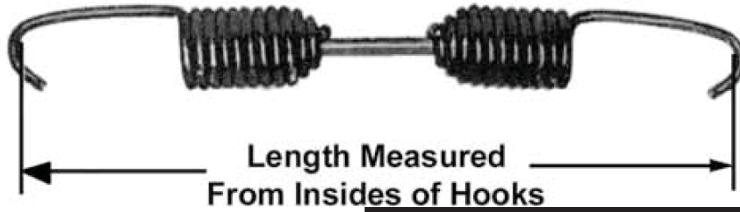
KIT 9020

Meritor Stopmaster and T 15" and 16-1/4"














| | | | | |
|---|---|-------------|----------------|--|
| 1 | 2 | 2257-M-1001 | Hold Down Clip | Hold-down kit for single actuated Stopmaster and T brakes. Services one brake. Similar to KIT 1162 but has U.S. standard threads. Replaces: E2522, E2522(2), K284, L1020, L1020(2), L756, M850, M850(2) |
| 2 | 2 | S-146 | Capscrew | |
| 3 | 2 | WA-34Z | Lockwasher | |
| 4 | 2 | N-14 | Nut | |

WEDGE BRAKE SPRINGS



Return Spring colors are for identification purposes only. Colors do not indicate the type or quality of spring wire. Colors may or may not match colors used by OEM.

| | PART NUMBER | LENGTH | COIL O.D. | REPLACES | APPLICATION INFORMATION |
|---|-------------|-----------|-----------|--|--|
|  GREEN | 2758-Q-43 | 6-1/16" | 9/16" | 66447, C66447, E1458, L968, M1011 | Use on 15" RS brakes, also pre-121 15" RD brakes. |
|  R670023 | R670023 | 7-1/2" | 1/8" | 445280, E2552, L1706, M2747 | Bendix wedge brakes. Shoe stabilizer used on late model spider with wide shoe guide. Moustache Spring. |
|  BLACK | 2258-E-629 | 7-13/16" | 7/8" | 65385, 66640, C66425, E1140, L1286, L2856, L579, M1012 | |
|  R670024 | R670024 | 8-3/8" | 1-5/16" | 324095, E2745, L1769, M2734 | Bendix "Non Servo" front wedge brakes |
|  BLACK | 2258-H-580 | 8-9/16" | 15/16" | 66425, E1140, E7211, L2856, L3028, L579, M1012 | Use on 15" RD brakes. |
|  YELLOW | 2758-W-127 | 8-9/16" | 1" | C66455, E2143, E2476, L1650, M1013, M2735 | Use on 15" front RD brakes. |
|  RED | 2258-Z-702 | 9-1/4" | 1" | | Use on 15" x 6" and 10" RDC brakes. |
|  BLACK | 2258-C-601 | 9-5/8" | 1" | | Use on 17" x 6" RS adjuster end. |
|  YELLOW | 2258-X-544 | 9-29/32" | 1-1/8" | | Use on 17" RD bolt-on spider brakes. |
|  BLACK | 2258-L-610 | 9-15/16" | 23/32" | | Use on 17" x 6" RS anchor end. |
|  GREEN | 2258-F-630 | 10-43/64" | 1-1/8" | | Use on 17" x 6" RS brakes. |

WEDGE BRAKE SHOE HOLD-DOWN SPRINGS



BLACK



BLACK



BLUE

| PART NUMBER | LENGTH | LENGTH COMPRESSED | COIL LARGE O.D. | I.D. | REPLACES | APPLICATION INFORMATION |
|-------------|--------|-------------------|-----------------|--------|--------------------|---|
| 2858-M-91 | 1" | | 25/32" | 19/32" | | Use on 15" x 3-1/2" and 4" RS & T brakes. |
| R670009 | 1-1/2" | | 3/4" | | 316368, E1496, K30 | Bendix wedge brakes |
| 2758-R-70 | | 13/16" | | 5/16" | | Use on 17" RD and RS brakes. |

WEDGE BRAKE ADJUSTING PAWL SPRING



RED



| PART NUMBER | LENGTH | COIL O.D. | REPLACES | APPLICATION INFORMATION |
|-------------|--------|-----------|----------|---|
| 2258-K-531 | 13/16" | 7/32" | M2690 | Use on 15" front brakes. 5/16" coils at ends. |

WEDGE BRAKE ACTUATORS




| PART NUMBER | THREAD LENGTH | O.D. | REPLACES | APPLICATION INFORMATION |
|-------------|---------------|----------|--------------|--|
| 2297-N-2874 | 35/64" | 59/64" | E3499, M2585 | 15" x 4" RS brakes. Backing plate mounted. |
| 2297-Q-2825 | 3/4" | 1-23/64" | | 17" RDA and RS brakes. |



WEDGE BRAKE ADJUSTING BOLTS

| | PART NUMBER | OVERALL LENGTH | THREAD | THREAD LENGTH | REPLACES | APPLICATION INFORMATION |
|---|---------------|----------------|---------|---------------|---------------------------------------|------------------------------------|
|  | A-2297-L-3158 | 1-53/64" | 7/8"-14 | 59/64" | E2484, L1188, L1317, M848, M879, M979 | 15" RD brakes with bolt-on spider. |
|  | 2297-S-7091 | 2-17/32" | 1"-14 | 3/4" | | 15-1/8" x 6" and 10" RDC brakes. |

WEDGE BRAKE ADJUSTING BOLT PARTS

| | PART NUMBER | I.D. | O.D. | THICKNESS | REPLACES | APPLICATION INFORMATION |
|---|-------------|-----------------|-----------------|-----------|----------|-------------------------------|
|  | 1718-T-150 | 1-1/8" x 1-1/2" | 1-5/8" x 2-1/4" | 1/8" | | Spring. 17" RD and RS brakes. |

WEDGE BRAKE ADJUSTER ASSEMBLIES

| | PART NUMBER | THREAD LENGTH | O.D. | APPLICATION INFORMATION |
|---|----------------|---------------|---------|---|
|  | A-2297-N-2874 | 35/64" | 15/16" | 15" x 4" RS brakes. Backing plate mounted. |
|  | A3-2297-J-3312 | 1-1/32" | 1-5/16" | RDC coach brakes. Includes seal 1205-X-1558 and bolt. |

ADJUSTING PAWLS AND ASSEMBLIES

| PART NUMBER | PAWL I.D. | PAWL LENGTH | SPRING LENGTH | SPRING COLOR | REPLACES | APPLICATION INFORMATION |
|-------------|-----------|-------------|---------------|--------------|----------|-------------------------|
|-------------|-----------|-------------|---------------|--------------|----------|-------------------------|



A2-2297-U-4597

E5539, L3054

15" RS and RD rear brakes with ridge since 1986 production.

A-1199-D-3384

19/64"

21/32"

19/32"

Blue

17" RD and RS brakes.



A1-1199-D-3384

19/64"

21/32"

1-31/64"

Green

15" and 15-1/8" RDC and RSA brakes. Includes 2258-F-578 spring.



2297-B-5670

3/8"

7/16"

E2190, L1184, M884

Pre-1986 production. 15" RS/RD front brakes with ridge and with backing plate mounting.



A-2297-B-5670

3/8"

7/16"

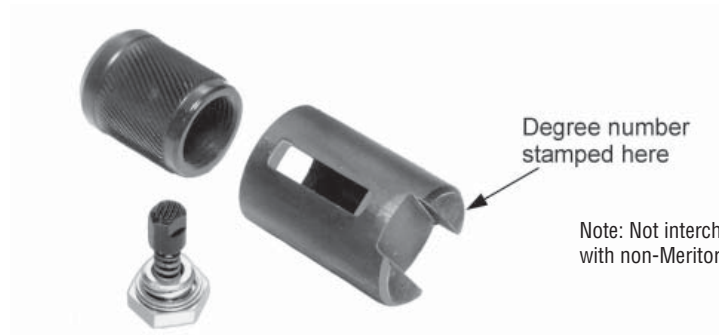
3/4"

Green

E5540, L1183, L1184, M884

Pre-1986 production. 15" RS/RD front brakes with ridge and with backing plate mounting.

ADJUSTING PLUNGER ASSEMBLIES



| PART NUMBER | WEDGE DEGREE | LENGTH | O.D. | REPLACES | APPLICATION INFORMATION |
|---------------|--------------|----------|--------|--------------------------|---|
| A-3280-U-8185 | 10° | 1-29/32" | 1-3/8" | E3996, M853 | 15" RD, RDA and RDH rear brakes. Spider mounting. Service kit depends on plunger angle stamped on leg of plunger. |
| A-3280-V-8186 | 12° | 1-29/32" | 1-3/8" | E1126, E3997, L762, M859 | 15" RD, RDA and RDH rear brakes. Spider mounting. |
| A-3280-W-8187 | 14° | 1-29/32" | 1-3/8" | E2132, E3998, M865 | 15" RD, RDA and RDH rear brakes. Spider mounting. |
| A-3280-X-8188 | 16° | 1-29/32" | 1-3/8" | E2133, E3999, M871 | 15" RD, RDA and RDH rear brakes. Spider mounting. |

ADJUSTING PLUNGERS



| PART NUMBER | WEDGE DEGREE | LENGTH | O.D. | APPLICATION INFORMATION |
|-------------|--------------|----------|--------|------------------------------|
| 2297-W-3299 | 10° | 1-15/16" | 1-5/8" | 15-1/8" RDC brakes. |
| 2797-V-204 | 15° | 2-7/32" | 1-3/4" | 17" RS, RSA, and RSH brakes. |








10

ANCHOR PLUNGERS



| PART NUMBER | WEDGE DEGREE | LENGTH | O.D. | REPLACES | APPLICATION INFORMATION |
|-------------|--------------|---------|--------|--|--|
| 3280-X-7356 | 10° | 1-3/16" | 1-5/8" | | 15" and 15-1/8" RDC brakes |
| 2297-Y-5329 | 12° | 2-3/4" | 1-3/8" | 65398, 66439, E1137, E1137LH, L782, M862, M863 | 12-1/4" and 15" RDA and RDH brakes. Left hand. European design. |
| 2297-Z-5330 | 12° | 2-3/4" | 1-3/8" | 65397, 66440, E1136, E1136RH, L781, M862 | 12-1/4" and 15" RDA and RDH brakes. Right hand. European design. |
| 2297-B-5332 | 14° | 2-3/4" | 1-3/8" | E2136, E2136RH, M868, M869 | 12-1/4" and 15" RDA and RDH brakes. Right hand. European design. |
| 2297-A-5331 | 14° | 2-3/4" | 1-3/8" | E2137, E2137LH, M868, M869 | 12-1/4" and 15" RDA and RDH brakes. Left hand. European design. |

PLUNGER SEALS

| | PART NUMBER | O.D. | I.D. | THICKNESS | REPLACES | APPLICATION INFORMATION |
|---|----------------------|----------|---------|-----------|-----------------------------------|--|
|  | A2-1705-Q-277 | 2-33/64" | 1-7/32" | 35/64" | | 15" x 6" and 10" and 15-1/8" x 6" and 10" RDC brakes. |
|  | 1205-B-2004 | 2-3/32" | 37/64" | 43/64" | E3995, L760, M878, M894 | 12-1/4" and 15" RD brakes. Anchor seal. European design. |
|  | A-1705-H-138 | 2-7/16" | 1-9/32" | 17/32" | | 17" RDH, RDA, RSA and RSH brakes. |
|  | A2-1705-H-138 | 2-7/16" | 3/4" | 1-11/32" | | 17" RDH, RDA, RSA and RSH brakes. |
|  | A2-1705-M-221 | 1-23/32" | 55/64" | 13/32" | E1447, L1047, L1499, M1075, M1083 | 15" x 3-1/2" and 4" RDA and RDH front brakes. |
|  | A3-1705-M-221 | 1-23/32" | 7/16" | 1-1/16" | E5532, L1047, L1499, M1075, M1083 | 15" RD front brakes, 15" x 4" RSA brakes. |
|  | 1205-C-2005 | 2-3/32" | 41/64" | 1-7/64" | 66681, E3994, L1178, M881 | 12-1/4" and 15" RD, RS brakes. Adjuster seal. European design. |

PLUNGER GUIDE ASSEMBLY



| PART NUMBER | LENGTH | ACROSS FLATS | REPLACES | APPLICATION INFORMATION |
|--------------|--------|--------------|--------------------------|-------------------------|
| A-1779-M-195 | 57/64" | 3/4" | E1118, E5541, L755, M877 | 15" brakes |

PLUNGER GUIDES







| PART NUMBER | LENGTH | ACROSS FLATS | APPLICATION INFORMATION |
|-------------|---------|--------------|-------------------------|
| 1779-J-218 | 1-5/32" | 15/16" | 17" RDA brakes. |

PLUNGER GUIDE GASKET



| PART NUMBER | O.D. | I.D. | THICKNESS | REPLACES | APPLICATION INFORMATION |
|-------------|--------|--------|-----------|---|--|
| 1729-B-262 | 23/32" | 35/64" | 1/16" | 1729B262, 5600X, 65386, E1117, L754, M876 | 12-1/4", 15" and 17" RD and RS brakes. |

WEDGE ASSEMBLIES

| | PART NUMBER | DEGREE | LENGTH | REPLACES | APPLICATION INFORMATION |
|---|---------------|--------|----------|--|---|
|  | A-2247-Z-52 | 10° | 5-7/64" | | 15" and 15-1/8" RDC brakes. |
|  | A-2247-D-1018 | 12° | 4-1/2" | E1261, L773, L985, M1072, M860 | 12-1/4" and 15" RD brakes and 15" RS rear brakes with a 1-3/4" stroke. Post-121. European design. |
|  | A1-2247-T-20 | 12° | 5-5/64" | | 17" RS brakes. |
|  | A-2247-D-56 | 12° | 5-1/8" | | 17" RS and RD brakes with a 1-3/4" stroke. |
|  | A-2247-E-1019 | 14° | 4-1/2" | E2141, M866 | 12-1/4" and 15" RD brakes and 15" RS rear brakes with a 1-3/4" stroke. Post-121. European design. |
|  | A2-2747-C-29 | 15° | 3-43/64" | | RS brakes. |
|  | A1-2247-R-18 | 15° | 5-3/64" | | RS and RD brakes. |
|  | A-2247-Y-51 | 15° | 5-1/8" | | 17" RS |
|  | A-2247-F-1020 | 16° | 4-1/2" | E2142, M872 | 12-1/4" and 15" RD brakes with a 1-3/4" stroke. Post 121. |
|  | R670014 | 18° | | 285786, 318601, 3200449, E2156, L1710, M1037 | 15" Steering axle applications. |

WEDGE GUIDE



| PART NUMBER | LENGTH | O.D. | REPLACES | APPLICATION INFORMATION |
|-------------|--------|---------|-------------|-------------------------------------|
| 1779-Q-433 | 21/32" | 1-3/16" | E1262, M895 | 15" RDA and RSA brake air chambers. |

WEDGE ROLLER CAGES



| PART NUMBER | LENGTH | WIDTH | APPLICATION INFORMATION |
|-------------|----------|---------|-------------------------|
| 1718-P-198 | 1-23/32" | 1-5/32" | 15" RS brakes. |

WEDGE BRAKE WASHERS



| PART NUMBER | I.D. | O.D. | THICKNESS | REPLACES | APPLICATION INFORMATION |
|-------------|----------|--------|-----------|---|--|
| 1829-P-198 | 17/64" | 13/16" | 1/16" | B824, B829, C66895, E2724, L1671, M2721 | Guide pin washer for 15" RS brakes, T brakes, Wagner brakes. |
| 1729-W-205Z | 9/32" | 15/16" | 1/16" | | Shoe hold down washer. For 17" RS and RD brakes. |
| 1229-X-2780 | 1-25/32" | 2-5/8" | 3/64" | | 15" RDC brakes. |

MISCELLANEOUS WEDGE PARTS

| PART NUMBER | I.D. | O.D. | LENGTH | WIDTH | THICKNESS | REPLACES | APPLICATION INFORMATION |
|-------------|------|------|--------|-------|-----------|----------|-------------------------|
|-------------|------|------|--------|-------|-----------|----------|-------------------------|



1199-T-3738

1-15/32"

Shoe Retainer. 17" RD brakes. A-1199-T-3738 includes 1718-B-158 spring.



1729-G-293

21/32"

1-1/2"

7/8"

1/64"

Lockplate 17" RD and RS brakes.



1779-Z-156

3/16"
(base)

25/64"

1/4" tube seat. 15" RDH and RSH brakes.



2208-D-82

39/64"

13/16"

1/32"

Inlet connecting bolt gasket.



3299-A-5279

Return spring retainer bracket. 17" x 6" RS brakes.



3299-C-4189

E2193, L1019, M897 Actuator housing. 15" RD trailer brakes.

SCREWS

| DESCRIPTION | PART NUMBER | THREAD | LENGTH | APPLICATION INFORMATION |
|-------------|-------------|--------|--------|-------------------------|
|-------------|-------------|--------|--------|-------------------------|



Bleeder Screw

1779-Y-155

7/16"-24

1-3/16"

15" RDA and RSA front and rear brakes.

| DESCRIPTION | PART NUMBER | THREAD | LENGTH | REPLACES | APPLICATION INFORMATION |
|-------------|-------------|--------|--------|----------|-------------------------|
|-------------|-------------|--------|--------|----------|-------------------------|



Adjusting Pawl Capscrew

1199-F-3464

9/16"12

7/16"

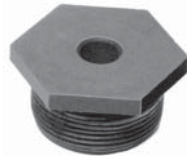
E2192, L1186, M882

Post 121. All 12-1/4" RD brakes. 15" RD and RS front and rear brakes. Black phosphate coating.

NUTS



| DESCRIPTION | PART NUMBER | THREAD | O.D. | THICKNESS | REPLACES | APPLICATION INFORMATION |
|-------------|-------------|-----------|--------|-----------|--------------------------|--------------------------------------|
| Collet | 1727-N-40 | 1-3/4"-12 | 2-3/8" | 3/8" | 65391, E1128, L764, M892 | 15" RD and RS front and rear brakes. |



| DESCRIPTION | PART NUMBER | THREAD | HEAD | THICKNESS | APPLICATION INFORMATION |
|-------------|-------------|-----------|------|-----------|---|
| Retaining | 1227-Z-1170 | 1-3/4"-12 | 2" | 1-1/8" | 15" x 6" and 10" and 15-1/8" x 6" and 10" RDC brakes. |

ANTI-RATTLE RODS



| PART NUMBER | LENGTH | DIA. | REPLACES | APPLICATION INFORMATION |
|-------------|--------|------|------------------------------|-------------------------|
| R670007 | | | 49624, E1493, H1110, H1110DP | Bendix wedge brakes |



| | | | | |
|------------|---------|------|--|---|
| 1779-M-377 | 2-7/16" | 1/8" | | Use on 15" T brakes with 1-/2" offset. Also 15" RDA brakes. |
|------------|---------|------|--|---|

WEDGE BRAKE SHOE RETURN SPRING PIN



| PART NUMBER | LENGTH | DIA. | APPLICATION INFORMATION |
|-------------|--------|------|--|
| 1259-N-300 | 2-3/4" | 1/4" | 15-1/4" x 6" and 15-1/8" RDC wedge brakes. |

WEDGE BRAKE SHOE RETAINERS



| PART NUMBER | DESCRIPTION | REPLACES | APPLICATION INFORMATION |
|-------------|--|----------|--------------------------------|
| 1807-A-1 | Retainer for spring used with brake shoe anti-rattle rods. | E1466 | Use on T brakes and RD brakes. |



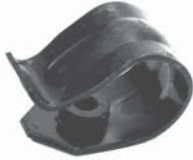
| | | | |
|---------|--|---------------------|---------------------|
| R670008 | Retainer for spring used with brake shoe anti-rattle rods. | 23969, E1495, H1132 | Bendix wedge brakes |
|---------|--|---------------------|---------------------|

WEDGE BRAKE HOLD DOWN CLIPS



2257-M-1001

E11201, L756 Use on 15" RD brakes. See KIT 1162.



A-1218-A-131

Use on RDC II brakes. Includes nut 1227-P-1082.

WEDGE BRAKE PLUGS



1250-P-484

1-23/64"

2-3/32"

17" x 6" (Spider)

PART NUMBER

HEIGHT

I.D.

APPLICATION INFORMATION






SECTION 11

INDEX

Wheel End Parts

| | |
|--|-------|
| Assortment and Display Boards | 11-50 |
| Brake Drum Attaching Screw | 11-30 |
| Disc Wheel Nuts | 11-2 |
| Drive Axle Flange Gaskets | 11-31 |
| Drive Flange Nuts | 11-29 |
| Drive Flange Studs | 11-28 |
| Drive Flange Wedges | 11-29 |
| Drum Bolt Assemblies | 11-30 |
| Hub Cap & O-Ring | 11-31 |
| Inner Cap Nuts | 11-ii |
| Rim Clamps | 11-32 |
| Spindle Hardware - Drive Axle | 11-44 |
| Spindle Hardware - Steering Axle | 11-40 |
| Spindle Hardware - Trailer Axle | 11-35 |
| Spoke Wheel and Rim Bolts | 11-31 |
| Spoke Wheel and Rim Studs | 11-30 |
| Wheel Nuts | 11-4 |
| Wheel Studs | 11-4 |
| Wheel Studs - Metric | 11-24 |

INNER CAP NUTS

| | PART NO. | REPLACES | OUTER THREAD SIZE | INNER THREAD SIZE | INNER THREAD MIN. DEPTH | OUTER OVERALL LENGTH | COMMENTS |
|---|----------|--|-------------------------|-------------------------|----------------------------------|----------------------------|--|
| FOR DUAL MOUNTED STEEL AND STEEL/ALUMINUM WHEELS | | | | | | | |
| O.E. STANDARD FOR DUAL STEEL WHEELS  | R007895L | 303101, 36163, 511005L, 67210, 709AL, 709L, E5549L, E7895L, E7895LBK, K36163, M129, W1038L, W12, W695 | 1-1/8"-16 | 3/4"-16 | 1-1/4" | 2-1/4" | Through hardened. Zinc dichromate plating. |
| | R007895R | 303100, 36162, 511005R, 511005RBULK, 67209, 708AR, 708R, E5549R, E7895R, E7895RBK, K36162, M128, M3396, W1038R, W11, W694 | | | | | |
| IMPORT VEHICLES  | R003130L | E10253L, W721 | M30x1.5 | M20x1.5 | 1-3/16" | 2-7/16" | |
| | R003130R | E10253R, W720 | | | | | |
| O. E. STANDARD FOR STEEL AND INNER ALUMINUM OUTER WHEELS  | R007896L | 336L, 337L, 511006L, 896L, E7896L, E7896LBK, M131, W159, W621 | 1-1/8"-16 | 3/4"-16 | 1-1/4" | 2-9/16" | Through hardened. |
| | R007896R | 336R, 336R/7L, 336R7L, 511006R, 896R, E7896R, E7896RBK, M130, W158, W620 | | | | | |
| O.E. STANDARD FOR OFF-HIGHWAY APPLICATIONS  | R007898L | 140B, 511008L, 67267, E5575L, E7898L, M140B, W161 | 1-5/16"-12 | 15/16"-12 | 1-7/8" | 3" | Through hardened. Zinc dichromate plating. |
| | R007898R | 511008R, 67266, E5575R, E7898R, M140A, W160 | | | | | |
| O. E. STANDARD FOR STEEL AND INNER ALUMINUM OUTER WHEELS  | R007897L | 511007L, 511007R, 621L, 622L, 897L, E5568L, E7897L, K20441, M133, W108, W617 | 1-1/8"-16 | 3/4"-16 | 1-7/8" | 3-1/16" | Through hardened. |
| | R007897R | 621R, 621R/2L, 621R2L, 897R, E5568R, E7897R, K19374, M132, W107, W616 | | | | | |

INNER CAP NUTS

FOR DUAL MOUNTED ALUMINUM WHEELS

O.E. STANDARD WITH FULL INNER THREADS FOR APPLICATIONS REQUIRING MAXIMUM THREAD ENGAGEMENT



R005978L 978L, E5956L, E5978L, W297

Through hardened.

R005978R 978R, E5956R, E5978R, W296

1-1/8"-16 3/4"-16 1-15/16" 3-3/32"

O.E. STANDARD FOR DUAL ALUMINUM WHEEL APPLICATION










R005988L 511003L, 511009L, 988L, E5988L, E5988LBK, M2401, W487, W625

Through hardened.
1/4" x 13/16" counterbore.

R005988R 511003R, 988R, E5988R, E5988RBK, M2400, W486


DISC WHEEL NUTS

| | PART NO. | REPLACES | THREAD | HEX | HIGH | COMMENTS |
|---|------------------|---|-----------|--------|--------|---|
|  | R004979R | E4979R, M-248A, M248A, W588 | 5/8"-18 | 1" | 11/16" | |
| | R004975R | 556, E4975R, M248, W230 | | | | |
|  | R005652L | 25265, 26265, 303107, 511013L, 67214, 889L, E5652L, K25265, M125, W16 | | | 7/8" | Zinc dichromate plating. |
| | R005652R | 25264, 303106, 511013R, 67213, 888R, E5652R, K25264, M124, W15 | | | | |
|  | R005554L | 511017L, E5554L, M135, W123 | 3/4"-16 | | 1" | |
| | R005554R | 511017R, E5554R, M134, W122 | | | | |
|  | R005995L | 995L, E5995L, M3209, W507 | | 1-1/2" | 1-3/8" | |
| | R005995R | 995R, E5995R, M3208, W506 | | | | |
|  | R005977L | 892BL, 892L, E5977L, E5977LBK, W747, W984L | 1-1/8"-16 | | 7/8" | Through hardened. Zinc dichromate plating. |
| | R005977R | 891BR, 891R, E5977R, E5977RBK, W746, W984R | | | | |
|  | R005996L | 996L, E5996L, M3211, W509 | | | | |
| | R005996R | 996R, E5996R, M3210, W508 | | | | |
|  | R0010254L | E10254L, W723 | M30x1.5 | 41mm | 1" | For use with R003130L metric inner cap nut. |
| | R0010254R | E10254R, W722 | | | | |


DISC WHEEL NUTS

| PART NO. | REPLACES | THREAD | HEX | HIGH | COMMENTS |
|----------|----------|--------|-----|------|----------|
|----------|----------|--------|-----|------|----------|

FOR HEAVY-DUTY "OFF HIGHWAY" SERVICE

| | | | | | |
|---|-----------------|---|------------|--------|--|
|  | R006060L | 511014L, E6060L, M140H, W427 | 1-1/8"-16 | 1" | |
| | R006060R | 511014R, E6060R, M140G, W426 | | | |
| | R005577L | 511040L, E5577L, M140D, W425 | 1-3/16"-12 | 1-3/4" | |
| | R005577R | 511019R, 511040R, E5577R, E5578R, M140C, W424 | | | |
| | R005576L | 303109, 511015L, E5576L, M140F, W155 | 1-5/16"-12 | 1-3/8" | |
| | R005576R | 303108, 511015R, E5576R, M140E, W154 | | | |

FLANGED CAP NUTS FOR SINGLE & DUAL MOUNTED WHEELS

| | | | | | | |
|---|-----------------|---|-----------|--------|---------|----------------|
|  | R005579L | 303111, 511018L, 913L, E5579L, M167, W116 | 1-1/8"-16 | 1-1/2" | 1-7/64" | 2" Flange dia. |
| | R005579R | 303110, 511018R, 912R, E5579R, M166, W115 | | | | |

FLANGED CAP NUTS

| | | | | | | |
|---|-----------------|--|-----------|--------------------|-------------------|---|
|  | R0010234 | E10234, W618 | 9/16"-18 | 1-1/16" | 1-31/32" | 2 pc. flanged nut. |
| | R005892 | 511029, E5892, M1254, W458 | 9/16"-18 | 7/8" | 5/8" | 1-7/32" Flange dia. 1 pc. flanged nut. |
| | R009022R | 188, E9022R, M1266, W590 | 5/8"-18 | 1-1/8" | 1-1/16" | Dodge and Navistar. 1-5/8" Flange dia. 2 pc. flanged nut. |
| | R005734 | 269, 303119, 45681, 511030, E5734, K45681, M1557, M157, W182 | 11/16"-16 | 1-1/8" | 1-1/16" | 1 pc. flanged nut. Use R005683 stud on front. Use R005682 stud on rear. |
| | R005704 | 49748, 511031, E5704, M1153, W183 | 3/4"-16 | 1-1/8" | 1-1/16" | 2 pc. flanged nut. Use with R005703 stud. |
|  | R009021 | E9021, W623 | 7/8"-14 | 1-5/16" (33mm) | 7/8" (22mm) | General Motors Bus. 1-13/16" (46mm) Flange dia. 2 pc. flanged nut. |
| | R0010235 | E10235, W619 | M20x1.5 | 1-1/2" | 1-1/4" (30mm) | Teflon coated. 2 pc. flanged nut. |
|  | R005991 | 511032, 881M, E5991, M3207, W492 | M22x1.5 | 1-1/2" (38.1mm) | 1-3/8" (35mm) | 2" (51mm) Flange dia. For motor wheel WHD-8 (8 Stud). Hub piloted wheel system. 2 pc. flanged nut. |
|  | R006000A | 333B, 511033, E6000, E6000A, M3203, W498, W538 | M22x1.5 | 1-9/32" (33mm) | 1-7/32" (31mm) | Teflon Coated For Budd Uni-Mount-10 (10 Stud) Hub Piloted Wheel. 1-13/16" (46mm) Flange dia. 2 pc. flanged nut. |
| | R009020 | E9020, W525 | M22x1.5 | 1-9/32" (33mm) | 1-1/32" (26mm) | Alcoa hub piloted wheels. 1-13/16" (46mm) Flange dia. 2 pc. flanged nut. |

CONE LOCK NUTS (2 Piece Flanged Nut)

| | | | | | | |
|---|----------------|-------------------|---------|---------|--------|--------------------|
|  | R005708 | E5708, M142, W234 | 3/4"-16 | 1-3/16" | 1-1/8" | 1-3/4" Flange dia. |
| | R005710 | E5710, M144, W474 | 7/8"-14 | 1-1/2" | 29/32" | 2" Flange dia. |
| | R005711 | E5711, M145, W235 | 7/8"-14 | 1-1/2" | 1-3/8" | |

WHEEL NUTS

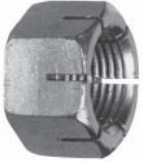
BACK NUTS

GRADE C



| PART NO. | REPLACES | THREAD | HEX | HIGH | COMMENTS |
|----------|---|---------|--------|--------|---------------|
| R004961A | 073, 21137, 30191, 334164, 334485, 341551, 511020, 806, E4961A, L2121, L2946, M138, M2459, SA1162, SLN105, W110, W451, W99 | 3/4"-16 | 1-1/8" | 5/8" | |
| R301835 | 04842000, 29248, 29248000, 334149, 334188, 511021, E1835, E5877, L1109, L1120, M1255, M1699, M2031, M2054, SA1288, SA1336, SA1534, SLN106, W232 | 7/8"-14 | 1-1/4" | 49/64" | Heat treated. |

FLAT WHEEL NUTS



| | | | | | |
|---------|----------------------------------|---------|------|------|--|
| R005007 | 43935, E5007, K43935, M220, W111 | 1/2"-20 | 7/8" | 1/2" | |
|---------|----------------------------------|---------|------|------|--|



| | | | | | |
|---------|--|---------|--------|--------|--|
| R005008 | 125629, 30023, E5008, K30023, M139, W109 | 5/8"-18 | 15/16" | 23/32" | |
|---------|--|---------|--------|--------|--|

| PART NO. | DAYTON | ERIE | GUNITE | WEBB | NWRA | THREAD | HEX | COMMENTS |
|----------|--------|------|--------|------|------|--------|-----|----------|
|----------|--------|------|--------|------|------|--------|-----|----------|

SPOKE WHEEL RIM NUTS

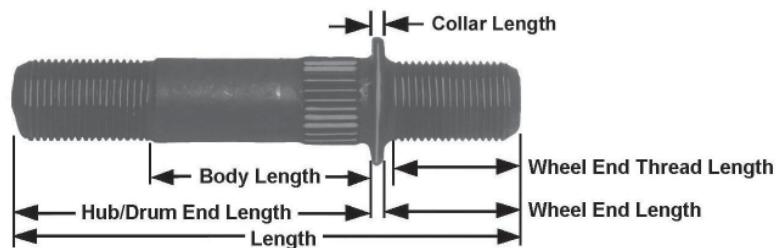


| | | | | | | | | |
|---------|-----------|------|-------|-------|------|---------|---------|----------------------------|
| R004962 | 08-005149 | 5270 | WP2 | 74611 | N-26 | 5/8"-11 | 1-1/16" | Flat face 2 sides. Grade 5 |
| R004963 | 08-005716 | 5260 | WP148 | 74710 | N-40 | 3/4"-10 | 1-1/4" | Flat face 2 sides. Grade 5 |
| R007775 | 08-005716 | 5260 | WP148 | 74710 | N-40 | 3/4"-10 | 1-1/4" | Flat face 2 sides. Grade 8 |

WHEEL STUDS

ROUND COLLAR SHOULDER STUDS - Stud Body Diameter .781

GRADE 8



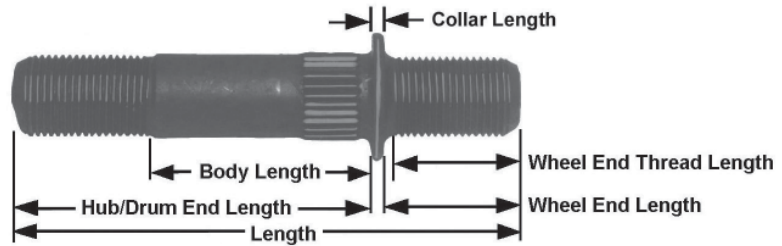
3/4"-16 Thread - Both Ends

| PART NO. | THD DIR | REPLACES | LENGTH | HUB/DRUM END LENGTH | BODY LENGTH | WHEEL END LENGTH | WHEEL END THD LENGTH | COLLAR LENGTH |
|-----------|---------|----------|---------|---------------------|-------------|------------------|----------------------|---------------|
| 09-002082 | RH | E11723R | 4-7/16" | 2-57/64" | 1-7/16" | 1-29/64" | 1-1/4" | 3/32" |
| 09-002083 | LH | E11723L | | | | | | |

WHEEL STUDS

ROUND COLLAR SHOULDER STUDS - Stud Body Diameter .784

GRADE 8



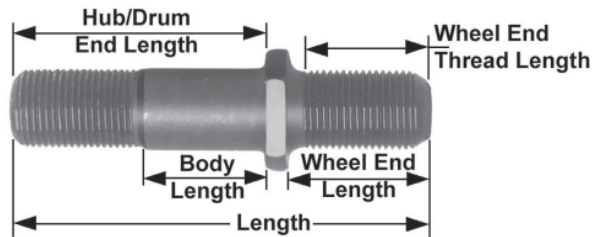
3/4"-16 Thread - Both Ends

| PART NO. | REPLACES | LENGTH | HUB/DRUM END LENGTH | BODY LENGTH | WHEEL END LENGTH | WHEEL END THD LENGTH | COLLAR LENGTH |
|----------|--|----------|---------------------|-------------|------------------|----------------------|---------------|
| R005713L | 3011371L, 501061L, 932, E5713L, M1165, W206 | 3-11/32" | 2-1/16" | 7/8" | | 1-1/16" | |
| R005713R | 3011371R, 501061R, 931, E5713R, M1164, W205 | | | | | | |
| R005714L | 501062L, 67296, E5714L, M1167, W208 | 3-5/8" | 2-9/32" | 1-1/16" | 1-1/4" | 1-1/8" | |
| R005714R | 501062R, 67295, E5714E, E5714R, M1166, W207 | | | | | | |
| R005716L | 3011373L, 501063L, E5716L, M1169, W212 | 4-11/32" | 3" | 1-15/16" | | 1-1/16" | |
| R005716R | 3011373R, 501063R, E5716R, M1168, W211 | | | | | | |
| R005715L | 501067L, E5715L, M2495, W210 | 4-1/16" | 2-1/2" | 1-9/32" | 1-11/32" | 1-1/8" | 3/32" |
| R005715R | 501067R, E5715R, M2494, W209 | | | | | | |
| R005717L | 501066L, E5717L, M2497, W455 | | 3" | 1-15/16" | | 1-5/32" | |
| R005589L | 09001393, 501064L, 67297, 813, E5589L, M1171, W1049L, W216 | 4-5/8" | 3-9/32" | 2" | 1-1/4" | 1-1/16" | |
| R005589R | 09001394, 501064R, 67298, 812, E5589R, M1170, W215 | | | | | | |
| R008948L | E8948L, M2499, W519 | 4-29/32" | 3-17/32" | 2-5/32" | | 63/64" | |
| R008948R | E8948R, M2498, W518 | | | | | | |

11

CLIPPED COLLAR SHOULDER STUDS - Stud Body Diameter .784

GRADE 8



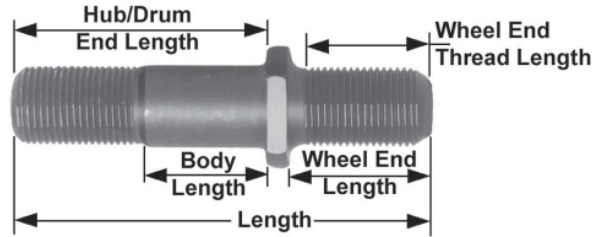
3/4"-16 Thread - Both Ends

| PART NO. | THREAD DIR. | REPLACES | LENGTH | HUB/DRUM END LENGTH | BODY LENGTH | WHEEL END LENGTH | WHEEL END THD LENGTH |
|----------|-------------|--|--------|---------------------|-------------|------------------|----------------------|
| R005558L | LH | 3011101L, 501000L, 67225, E5558L, M47, W37 | 3-1/8" | 1-19/32" | 5/8" | 1-11/32" | 1-5/32" |
| R005558R | RH | 3011101R, 501000R, 5011101R, 67224, E5558R, M46, W36 | | | | | |

WHEEL STUDS

CLIPPED COLLAR SHOULDER STUDS - Stud Body Diameter .784

GRADE 8



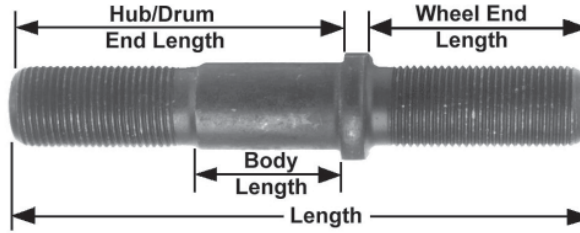
3/4"-16 Thread - Both Ends

| PART NO. | THREAD DIR. | REPLACES | LENGTH | HUB/DRUM END LENGTH | BODY LENGTH | WHEEL END LENGTH | WHEEL END THD LENGTH |
|----------|-------------|---|----------|---------------------|-------------|------------------|----------------------|
| R005556R | RH | 095, 3011102R, 501003R, 67226, E5556R, K25260, M48, W38 | 3-15/32" | 1-15/16" | 7/8" | | 1-3/16" |
| R005556L | LH | 096, 3011102L, 501003L, 67227, 67228, E5556L, K25261, M49, 096, W39 | | | | | |
| R005559R | RH | 501004R, 67310, 988, E5559R, M50, W40 | 3-23/32" | 2-3/16" | 1-1/16" | | |
| R005559L | LH | 501004L, 67228, 989, E5559L, M51, W41 | | | | | |
| R005561L | LH | 3011104L, 501006L, 67230, 991, E5561L, M53, W43 | 3-31/32" | 2-7/16" | 1-5/32" | | |
| R005561R | RH | 3011104R, 501006R, 67229, 990, E5561R, M52, W42 | | | | | |
| R005585L | LH | 3011106L, 501009L, 67236, E5585L, M59, W49 | 4-11/32" | 2-13/16" | 1-1/2" | | |
| R005585R | RH | 3011106R, 501009R, 67235, E5585R, M58, W48 | | | | | |
| R005560R | RH | 004, 3011105R, 501007R, 67231, E5560R, M54, W44 | 4-1/32" | 2-1/2" | 1-9/32" | 1-11/32" | |
| R005560L | LH | 005, 3011105L, 501007L, 67232, E5560L, M55, W45 | | | | | 1-5/32" |
| R005551L | LH | 125, 501008L, 67234, E5551L, M57, W47 | 4-7/32" | 2-11/16" | 1-7/16" | | |
| R005551R | RH | 501008R, 67233, 6723367234, E5551R, M56, W46 | | | | | |
| R005553R | RH | 271, 501010R, 67237, E5553R, M60, W50 | 4-17/32" | 3" | 1-13/16" | | |
| R005553L | LH | 272, 501010L, 67238, E5553L, M61, W51 | | | | | |
| R006023R | RH | 100118, 501012R, E6023R, W579 | 4-27/32" | 3-5/16" | 1-21/32" | | |
| R006023L | LH | 100117, 501012L, E6023L, W580 | | | | | |
| R005557L | LH | 501013L, E5557L, M62, W53 | 5-1/32" | 3-1/2" | 1-1/2" | | |
| R005557R | RH | 501013R, E5557R, M63, W52 | | | | | |
| R006024R | RH | 100256, 46024R, 501031R, E6024R, W581 | 5-1/4" | 3-5/16" | 1-13/32" | 1-3/4" | 1-9/16" |

WHEEL STUDS

CLIPPED COLLAR SHOULDER STUDS - Stud Body Diameter .784 EXTRA LONG CAP NUT END

GRADE 8



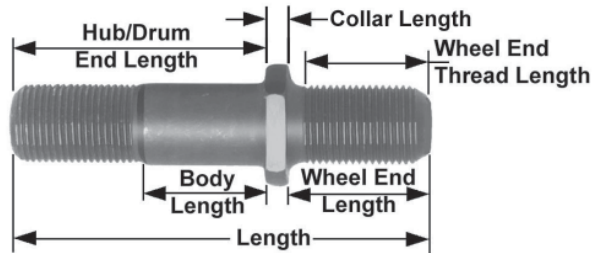
3/4"-16 Thread - Both Ends

| PART NO. | REPLACES | LENGTH | HUB/DRUM END LENGTH | BODY LENGTH | WHEEL END LENGTH | CAUTION |
|----------|---------------------------------------|----------|---------------------|-------------|------------------|--|
| R005932L | 501025L, 694, E5932L, M2403, W337 | 4-1/4" | 2-3/8" | 1-1/32" | 1-21/32" | Caution: Do not use with Steel wheel. Cap nut will bottom out before tightening against wheel. |
| R005932R | 501025R, 693, E5932R, M2402, W336 | | | | 1-15/16" | |
| R005931L | 501026L, E5931L, M2405, W464 | 4-1/2" | 3-3/8" | 1-3/4" | 1-11/32" | |
| R005931R | 501026R, E5931R, M2404, W463 | | | | 2-1/4" | |
| R005989L | 100524, 501021L, E5989L, M3644, W501 | 4-29/32" | 3" | 1-5/16" | 2" | |
| R005989R | 100525, 501021R, E5989R, M3645, W500 | 5-1/8" | | | | |
| R005933L | 501027L, E5933L, M2409, W339 | 5-9/16" | 3-3/8" | 1-3/4" | 2" | |
| R005933R | 501027R, E5933R, M2408, W338 | | | | | |
| R005929L | 501028L, E5929L, M2407, W460 | 5-3/16" | 3" | 1-5/16" | 2" | |
| R005929R | 501028R, E5929R, M2406, W459 | | | | | |
| R005930L | 100527, 501029L, E5930-L, M2411, W462 | 5-9/16" | 3-3/8" | 1-3/4" | 2" | |
| R005930R | 100526, 501029R, E5930R, M2410, W461 | | | | | |

BUS AND HEAVY-DUTY STUDS

CLIPPED COLLAR SHOULDER STUDS - Stud Body Diameter 1.012 For Heavy-Duty "Off Highway" Application

GRADE 8



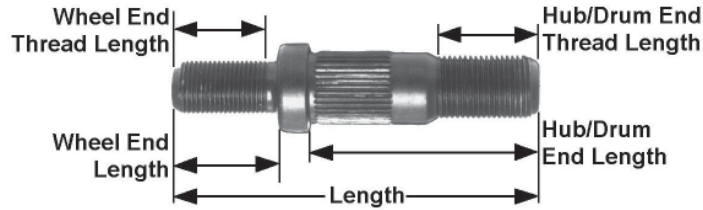
1"-14 Thread Hub End
15/16"-12 Thread Wheel End

| PART NO. | REPLACES | LENGTH | HUB/DRUM END LENGTH | BODY LENGTH | WHEEL END LENGTH | WHEEL END THD LENGTH | COLLAR LENGTH |
|----------|------------------------------|--------|---------------------|-------------|------------------|----------------------|---------------|
| R005876L | 501041L, E5876L, M1229, W301 | 5-5/8" | 3-1/2" | 1-7/8" | 1-7/8" | 1-9/16" | 1/4" |
| R005876R | 501041R, E5876R, M1228, W300 | | | | | | |

BUS AND HEAVY-DUTY STUDS

DOUBLE-ENDED ROUND COLLAR STUDS - Stud Body Diameter .973

GRADE 8

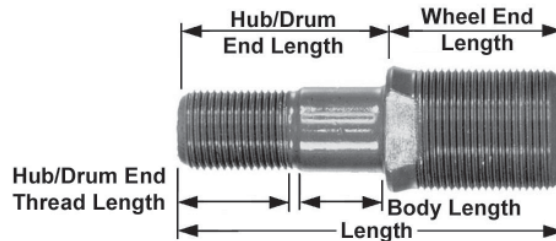


3/4"-16 Thread - Wheel End
7/8"-14 Thread - Hub End

| PART NO. | REPLACES | LENGTH | HUB/DRUM END LENGTH | HUB/DRUM END THREAD LENGTH | WHEEL END LENGTH | WHEEL END THREAD LENGTH |
|----------|------------------------------|----------|---------------------|----------------------------|------------------|-------------------------|
| R005920L | 501297L, E5920L, M2449, W321 | 4" | 2-3/32" | 1-1/4" | | |
| R005920R | 501297R, E5920R, M2448, W320 | | | | 1-7/16" | 1-3/16" |
| R005918L | 501295L, E5918L, M2453, W317 | 4-15/16" | 3-3/32" | 1-9/32" | | |
| R005918R | 501295R, E5918R, M2452, W316 | | | | | |
| R009007 | E9007, W630 | 5-5/8" | 1-7/8" | 15/16" | 3-7/16" | 1-1/2" |

DOUBLE-ENDED STUDS WITH FLATS - Stud Body Diameter .784 - For Steel Wheels

GRADE 8

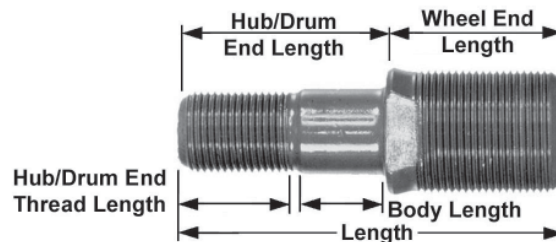


1-1/8"-16 Thread - Wheel End
3/4"-16 Thread - Hub End

| PART NO. | REPLACES | LENGTH | HUB/DRUM END LENGTH | HUB/DRUM END THREAD LENGTH | BODY LENGTH | WHEEL END LENGTH |
|----------|--------------------------|----------|---------------------|----------------------------|-------------|------------------|
| R003723L | E3723L, M109, W323, W607 | 3-1/2" | 1-9/16" | 7/8" | 1/2" | 1-29/32" |
| R003723R | E3723R, M108, W322, W606 | | | | | |
| R003728L | E3728L, M111, W329 | 4-11/32" | 2-3/4" | 7/8" | 1-23/32" | 1-19/32" |

DOUBLE-ENDED STUDS WITH FLATS - Stud Body Diameter .784 - For Aluminum Wheels

GRADE 8



1-1/8"-16 Thread - Wheel End
3/4"-16 Thread - Hub End

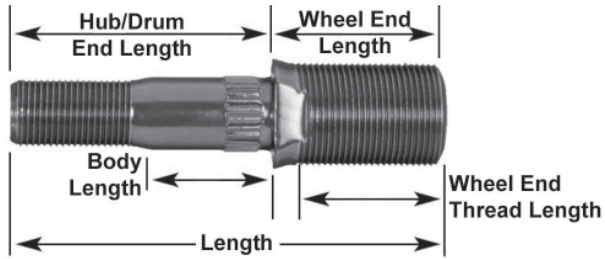
| PART NO. | REPLACES | LENGTH | HUB/DRUM END LENGTH | HUB/DRUM END THREAD LENGTH | BODY LENGTH | WHEEL END LENGTH |
|----------|---------------------|----------|---------------------|----------------------------|-------------|------------------|
| R005935L | E5935L, M2415, W343 | 3-3/4" | 1-7/8" | | 23/32" | |
| R005935R | E5935R, M2414, W342 | | | 15/16" | | 1-7/8" |
| R005936L | E5936L, M2417, W345 | 3-15/16" | 2-1/16" | | 31/32" | |
| R005936R | E5936R, M2416, W344 | | | | | |
| R005990L | E5990L, M3235, W517 | 4-9/16" | 2-3/4" | 1-5/32" | 1-11/32" | 1-13/16" |
| R005990R | E5990R, M3234, W516 | | | | | |

BUS AND HEAVY-DUTY STUDS

DOUBLE-ENDED STUDS WITH FLATS - Stud Body Diameter .784

GRADE 8

1-1/8"-16 Thread - Wheel End
3/4"-16 Thread - Hub End

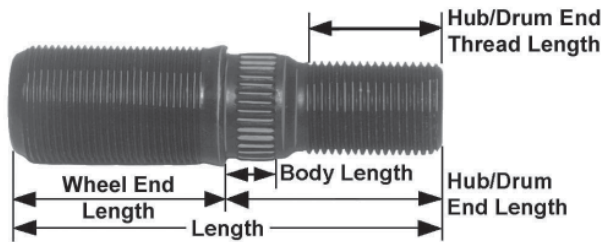


| PART NO. | REPLACES | LENGTH | HUB/DRUM END LENGTH | BODY LENGTH | WHEEL END LENGTH | WHEEL END THREAD LENGTH |
|----------|----------------------|---------|---------------------|-------------|------------------|-------------------------|
| R008951L | 100343, E8951L, W513 | 4-9/16" | 2-3/4" | 1-17/32" | 1-13/16" | 1-1/4" |
| R008951R | 100344, E8951R, W512 | | | | | |

DOUBLE-ENDED STUDS - Stud Body Diameter .973

GRADE 8

1-1/8"-16 Thread - Wheel End
7/8"-14 Thread - Hub End

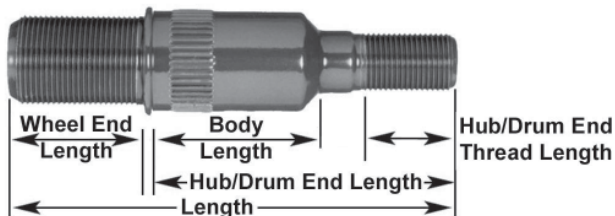


| PART NO. | REPLACES | LENGTH | HUB/DRUM END LENGTH | HUB/DRUM END THREAD LENGTH | BODY LENGTH | WHEEL END LENGTH |
|----------|------------------------------|--------|---------------------|----------------------------|-------------|------------------|
| R005922L | 501291L, E5922L, M2447, W315 | 4" | 2" | 1-3/16" | 19/32" | 2" |
| R005922R | 501291R, E5922R, M2446, W314 | | | | | |

DOUBLE-ENDED STUDS - Stud Body Diameter 1.220

GRADE 8

1-1/8"-16 Thread - Wheel End
3/4"-16 Thread - Hub End

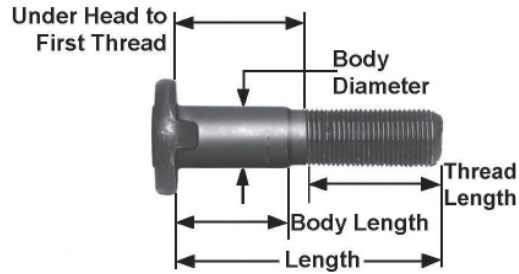


| PART NO. | REPLACES | LENGTH | HUB/DRUM END LENGTH | HUB/DRUM END THREAD LENGTH | BODY LENGTH | WHEEL END LENGTH |
|----------|----------------------|---------|---------------------|----------------------------|-------------|------------------|
| R008976L | E8976L, W1060L, W641 | 5-5/16" | 3-5/8" | 1" | 2-7/64" | 1-19/32" |
| R008976R | E8976R, W1060R, W640 | | | | | |

WHEEL STUDS

WEDGE HEAD TYPE STUDS - Stud Body Diameter .788

GRADE 8

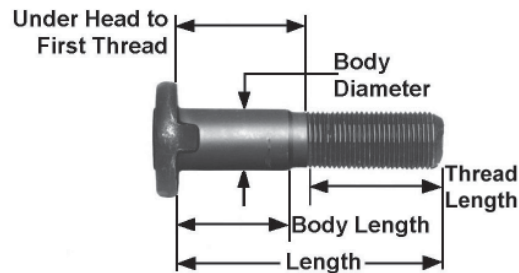


3/4"-16 Thread

| PART NO. | REPLACES | LENGTH | BODY LENGTH | THREAD LENGTH | UNDER HEAD TO FIRST THREAD |
|----------|---------------------|---------|-------------|---------------|----------------------------|
| R009005L | E9005L, M3634, W613 | 2-5/8" | 1" | 1-1/4" | 1-1/4" |
| R009005R | E9005R, M3635, W612 | | | | |
| R009004L | E9004L, W667 | 3-7/64" | 1-13/32" | 1-23/64" | 1-3/4" |
| R009004R | E9004R, M3636, W666 | | | | |

WEDGE HEAD TYPE STUDS - Stud Body Diameter .792 - For Aluminum Hubs

GRADE 8



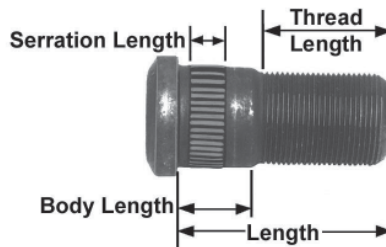
3/4"-16 Thread

| PART NO. | REPLACES | LENGTH | BODY LENGTH | THREAD LENGTH | UNDER HEAD TO FIRST THREAD |
|----------|---|----------|-------------|---------------|----------------------------|
| R005924L | 333, 501250L, E5924L, M2421, W265 | 3-13/32" | 1-7/16" | 1-5/8" | 2-1/4" |
| R005924R | 332, 501250R, E5924R, M2420, W264 | | | | |
| R005916L | 501251L, E5916L, M2423, W263 | 3-35/64" | 1-13/16" | 1-1/16" | 2-31/64" |
| R005916R | 501251R, E5916R, M2422, W262 | | | | |
| R009002L | E9002L, M3639, W639 | 3-3/4" | 1-1/2" | 1-3/4" | 1-3/4" |
| R009002R | E9002R, W638 | | | | |
| R005923L | 501253L, 501291L, E5922L, E5923L, M2425, W261 | 3-51/64" | 1-13/16" | 1-1/8" | 2-5/8" |
| R005923R | 501253R, E5923R, M2424, W260 | | | | |
| R009000L | E9000L, M2485 | 3-31/32" | 1-5/16" | 2" | 1-3/4" |
| R009000R | E9000R, M2484 | | | | |

WHEEL STUDS

FRONT WHEEL STUDS - Stud Body Diameter 1.212

GRADE 8

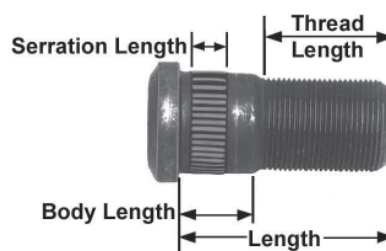


1-1/8"-16 Thread

| PART NO. | REPLACES | LENGTH | BODY LENGTH | THREAD LENGTH | SERRATION LENGTH |
|----------|-------------------------|--------|-------------|---------------|------------------|
| R006033L | 100858006, E6033L, W725 | 3-5/8" | 1-7/16" | 1-7/8" | 1/2" |
| R006033R | 100858010, E6033R, W724 | | | | |

FRONT WHEEL STUDS - Stud Body Diameter 1.216

GRADE 8

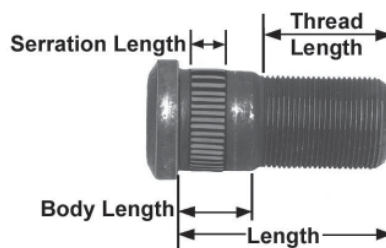


1-1/8"-16 Thread

| PART NO. | THD DIR | REPLACES | LENGTH | BODY LENGTH | THREAD LENGTH | SERRATION LENGTH |
|-----------|---------|----------|----------|-------------|---------------|------------------|
| 09-001925 | RH | E11697R | 2-31/32" | | 1-25/32" | |
| 09-001926 | LH | E11697L | | 1-3/16" | | .45" |
| 09-001999 | RH | | | | | |
| 09-002000 | LH | E11699L | 3-1/8" | | 2-1/16" | |
| 09-001669 | LH | E11696L | | 1-5/16" | | 1/2" |

FRONT WHEEL STUDS - Stud Body Diameter 1.220

GRADE 8



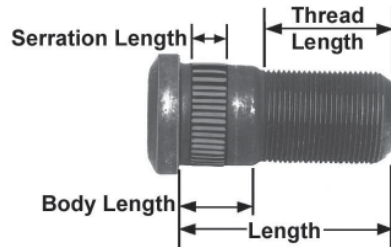
1-1/8"-16 Thread

| PART NO. | REPLACES | LENGTH | BODY LENGTH | THREAD LENGTH | SERRATION LENGTH |
|----------|--|----------|-------------|---------------|------------------|
| R005748L | 501082L, E5748L, M1115, W240 | 2-13/32" | | 1-7/32" | |
| R005748R | 501082R, E5748R, M1114, W241 | | | | |
| R005897L | 09009123, 501080L, E5897L, M1219, W293 | 2-21/32" | 7/8" | 1-3/4" | 3/8" |
| R005897R | 09009122, 501080R, E5897R, M1218, W292 | | | | |
| R005749L | 501081L, 67305, E5749L, M1117, W242 | 2-13/16" | | 1-7/32" | |
| R005749R | 501081R, 67306, E5749R, M1116, W243 | | | | |
| R005986L | 501087L, E5986L, M3631, W521 | 2-31/32" | 3/4" | 1-61/64" | 19/32" |
| R005986R | 501087R, E5986R, M3630, W520 | | | | |

WHEEL STUDS

FRONT WHEEL STUDS - Stud Body Diameter 1.220

GRADE 8



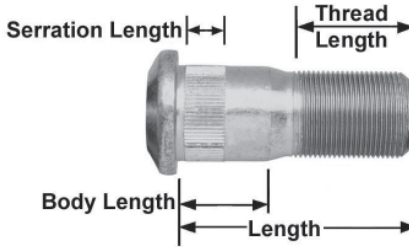
1-1/8"-16 Thread

| PART NO. | REPLACES | LENGTH | BODY LENGTH | THREAD LENGTH | SERRATION LENGTH |
|----------|---|----------|-------------|---------------|------------------|
| R005750L | 501085L, 67308, E5750L, M1119, W245 | 3" | 1-3/8" | 1-5/8" | 1" |
| R005750R | 501085R, 67307, E5750R, M1118, W244 | | | | |
| R005899L | 09001165, 501088L, E5899L, M1205, W291 | 3-5/32" | 1-5/16" | 1-17/32" | 3/8" |
| R005899R | 09001164, 501088R, E5899R, M1204, W290 | | | | |
| R005898L | 501089L, E5898L, M1251, W1148L, W295 | 3-3/16" | 1-3/8" | 1-13/16" | 1" |
| R005898R | 501089R, E5898R, M1250, W1148R, W294 | | | | |
| R008996L | E8996L, M2473, W365 | 3-1/4" | 3/4" | 2-1/4" | 9/16" |
| R008996R | E8996R, M2472, W364 | | | | |
| R009001L | 501093L, E9001L, M2475, W331 | 3-15/32" | 7/8" | 1-29/64" | 7/16" |
| R009001R | 501093R, E9001R, M2474, W330 | | | | |
| R008972L | E8972L, W1118L, W511, W720L, W788L, W988L | 3-1/2" | 1-3/16" | 2-1/32" | 3/4" |
| R008972R | E8972R, W1118R, W510, W720R, W788R, W988R | | | | |
| R008966L | E8966L, W1104L, W713, W826L, W890L, W932L | | 1-9/16" | 1-23/32" | 1/2" |
| R008966R | E8966R, W1104R, W712, W826R, W890R, W932R | 3-9/16" | | | |
| R008995L | 501092L, E8995L, M2477, W363 | | 1-7/16" | 1-3/4" | 1-1/16" |
| R008995R | 501092R, E8995R, E899RR, M2476, W362 | | | | |
| R005868L | 501095L, E5868L, F18479, M2429, W289 | 3-5/8" | 1-13/16" | 1-13/16" | |
| R005868R | 501095R, E5868R, F184710, M2428, W288 | | | | |
| R008985L | E8985L, W1203L, W711 | 3-13/16" | 1-3/16" | 2-1/2" | 3/4" |
| R008985R | E8985R, W1203R, W710 | | | | |
| R008990L | E8990L, W551 | 4" | 1-5/16" | 1-13/16" | |
| R008990R | E8990R, W550 | | | | |

WHEEL STUDS

FRONT WHEEL STUDS - Stud Body Diameter 1.220 - For Aluminum Disc Wheels

GRADE 8

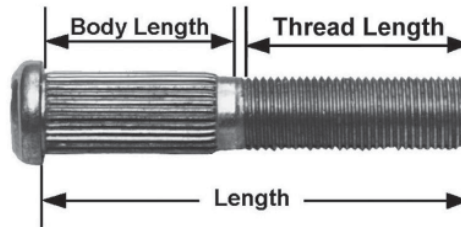


1-1/8"-16 Thread

| PART NO. | REPLACES | LENGTH | BODY LENGTH | THREAD LENGTH | SERRATION LENGTH |
|-----------|-------------------------------|----------|-------------|---------------|------------------|
| R0010228L | 103191, E10228L | 3-9/16" | 1-5/32" | 1-15/16" | .50" |
| R0010228R | 103192, E10228R | | | | |
| R001623L | 501098R, E10249L, M2479, W333 | | 1-3/8" | 2-1/2" | 7/16" |
| R001623R | 501098L, E10249R, M2478, W332 | 3-3/4" | | | |
| R005982L | 501097L, E5982L, M2431, W478 | | 1-7/32" | 2-1/4" | 9/16" |
| R005982R | 501097R, E5982R, M2430, W477 | | | | |
| R005985L | 501096L, E5985L, M2481, W359 | 3-25/32" | 1-3/8" | 1-7/16" | 1" |
| R005985R | 501096R, E5985R, M2480, W358 | | | | |
| R0010225L | 101873, E10225L, W663 | 3-7/8" | 1-17/32" | 1-29/32" | .50" |
| R0010225R | 101874, E10225R, W662 | | | | |

SERRATED WHEEL STUDS - Stud Body Diameter .630

GRADE 8



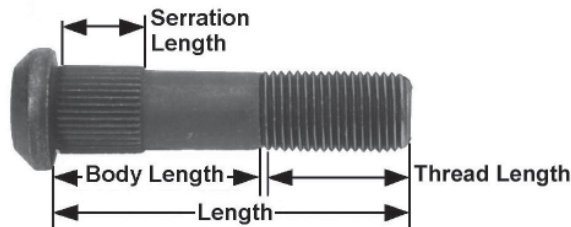
5/8"-18 Thread

| PART NO. | REPLACES | LENGTH | BODY LENGTH | THREAD LENGTH |
|----------|---|----------|-------------|---------------|
| R0010229 | 501115, E10229, K-34460, K34460, M97, W79 | 2-15/16" | 3/4" | 1-1/4" |
| R001905 | 43939, 501116, E10230, K-43939, M98, W81 | 3-3/16" | 1" | 1-1/2" |

WHEEL STUDS

SERRATED WHEEL STUDS - Stud Body Diameter .745

GRADE 8

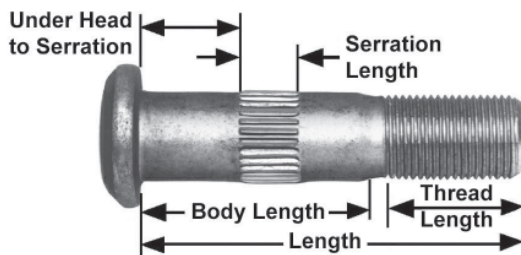


3/4"-16 Thread

| PART NO. | REPLACES | LENGTH | BODY LENGTH | THREAD LENGTH | SERRATION LENGTH |
|----------|--------------------------------|----------|-------------|---------------|------------------|
| R008994L | 501152L, E8994-L, E8994L, M190 | 2-1/2" | 1-5/32" | 1-1/4" | 29/32" |
| R008994R | 501152R, E8994R, M189 | | | | |
| R008992L | 501155L, E8992L, M196, W392 | 2-31/32" | 1-19/32" | 1-3/16" | 15/16" |
| R008992R | 501155R, E8992R, M195, W391 | | | | |
| R008993L | 501156L, E8993L, M198, W394 | 3-1/4" | 1-7/8" | 1-5/32" | 1-1/8" |
| R008993R | 501156R, E8993R, M197, W393 | | | | |

SERRATED WHEEL STUDS - Stud Body Diameter .784

GRADE 8



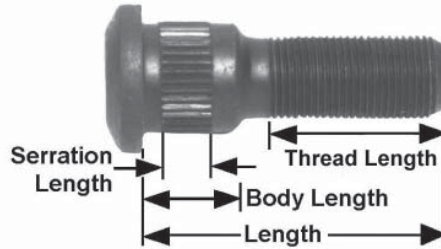
3/4"-16 Thread

| PART NO. | REPLACES | LENGTH | BODY LENGTH | THREAD LENGTH | SERRATION LENGTH |
|-----------|------------------------------------|----------|-------------|---------------|------------------|
| R0010202L | E10202L, W-1091L, W653 | 2-1/2" | 3/4" | 1-1/2" | |
| R0010202R | E10202R, W-1091R, W1091R, W652 | | | | |
| R008983L | E8983L, W1170L, W681 | 2-11/16" | 31/32" | 1-11/32" | |
| R008983R | E8983R, W1170R, W680 | | | | |
| R008969L | E8969L, M3611, W112, W609, W981L | 2-15/16" | 1-5/16" | 1-13/32" | |
| R008969R | E8969R, M3610, W1121R, W608, W981R | | | | |
| R0010206L | E10206L, W-1064L, W1064L, W649 | 3" | 1-21/32" | 1-1/4" | |
| R0010206R | E10206R, W-1064R, W1064R, W648 | | | | |
| R008982L | E8982L, M3613, W1166L, W665 | 3-1/8" | 1-11/32" | 1-19/32" | |
| R008982R | E8982R, M3612, W1166R, W664 | | | | |
| R0010209L | 102277, E10209L, M3651, W729 | 3-5/32" | 1-7/16" | 1-1/2" | 1/2" |
| R0010209R | 102278, E10209R, M3650, W728 | | | | |
| R008968L | E8968L, M3615, W675, W980L | 3-3/16" | 1-13/32" | 1-5/8" | |
| R008968R | E8968R, M3614, W674, W980R | | | | |
| R0010208L | 102279, E10208L, W707 | | 1-7/16" | 1-5/8" | |
| R0010208R | 102280, E10208R, M3652, W706 | 3-11/32" | | | |
| R008979L | E8979L, M3242, W1133L, W611, W992L | | 1-9/32" | 1-27/32" | |
| R008979R | E8979R, M3241, W1133R, W610, W992R | | | | |
| R0010210L | 102281, E10210L, M3655, W731 | 3-25/32" | 1-7/16" | 2" | |
| R0010210R | 102282, E10210R, M3654, W730 | | | | |

WHEEL STUDS

SERRATED WHEEL STUDS - Stud Body Diameter .974

GRADE 8



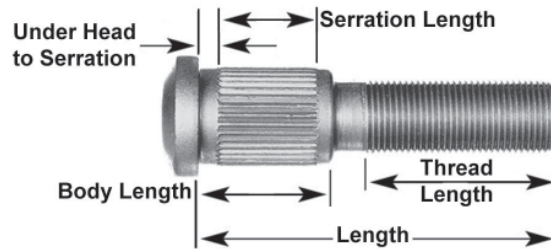
3/4"-16 Thread

| PART NO. | REPLACES | LENGTH | BODY LENGTH | THREAD LENGTH | SERRATION LENGTH |
|----------|---|----------|-------------|---------------|------------------|
| R005718L | 501160L, 6262, 67292, E5718L, M85, W169 | 2-3/8" | | 1-5/32" | |
| R005718R | 501160R, 6252, 67291, E5718E, E5718R, M84, W168 | | | | |
| R005719L | 501161L, 6263, E5719L, M87, W171 | 2-9/16" | | 1-3/8" | |
| R005719R | 501161R, 6253, E5719R, M86, R5719R, W170 | | 13/16" | | 7/16" |
| R005900L | 501163R, E5900L, M2435, W400 | 2-11/16" | | 1-19/32" | |
| R005900R | 501163L, E5900R, M2434, W399 | | | | |
| R005720L | 501164L, 6261, 67290, E5720L, M89, W167 | 2-23/32" | | 1-15/32" | |
| R005720R | 501164R, 6251, 67289, E5720R, M88, W166 | | | | |
| R005987L | E5987L, M1289, W381 | 2-15/16" | 1-1/4" | | |
| R005987R | E5987R, M1288, W380 | | | 1-1/4" | |
| R005871L | 481, 501181L, E5871L, M1213, W275 | 3-1/8" | 1-3/8" | | |
| R005871R | 482, 501181R, E5871R, M1212, W274 | | | | 1" |
| R006057L | E6057L, W549 | 3-3/16" | 1-3/16" | 1-5/32" | |
| R006057R | E6057R, W548 | | | | |
| R005896L | 287L, 501182L, E5896L, M2439, W277 | 3-3/8" | 1-11/32" | 1-1/4" | |
| R005896R | 287R, 501182R, E5896R, M2438, W276 | | | | |

11

DRIVE AXLE STUD - Stud Body Diameter .975 - For Aluminum Disc Wheels

GRADE 8



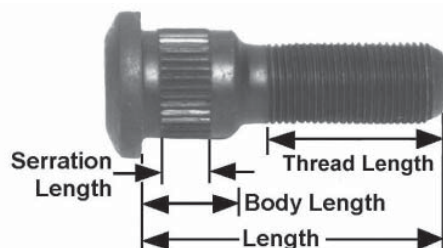
3/4"-16 Thread

| PART NO. | REPLACES | LENGTH | BODY LENGTH | THREAD LENGTH | UNDER HEAD TO SERRATION | SERRATION LENGTH |
|----------|------------------------------|--------|-------------|---------------|-------------------------|------------------|
| R005983L | 501185L, E5983L, M2467, W476 | 3-3/8" | 1-3/8" | 2-1/4" | 1/4" | 1" |
| R005983R | 501185R, E5983R, M2466, W475 | | | | | |

WHEEL STUDS

SERRATED WHEEL STUDS

GRADE 8



3/4"-16 Thread

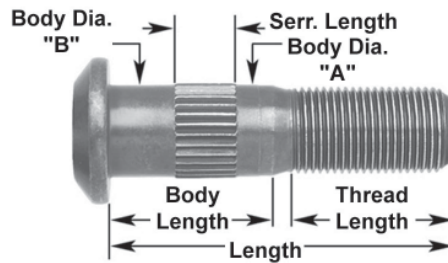
| PART NO. | THREAD DIR. | REPLACES | BODY DIAMETER | LENGTH | BODY LENGTH | THREAD LENGTH | SERRATION LENGTH |
|-----------|-------------|------------------------------|---------------|----------|-------------|---------------|------------------|
| 09-002048 | LH | E11660L | .890 | 2-1/8" | 11/16" | 1-1/4" | |
| 09-002047 | RH | E11660R | | | | | |
| R009011L | LH | E9011L | .780 | 2-3/8" | 7/8" | 1-1/16" | 1/2" |
| R009011R | RH | E9011R | | | | | |
| 09-869702 | LH | E11680L | | | | | |
| 09-869701 | RH | E11680R | | | 1" | | |
| R005911L | LH | 501162L, E5911L, M2433, W398 | .974 | 2-9/16" | 15/16" | 1-1/4" | 7/16" |
| R005911R | RH | 501162R, E5911R, M2432, W397 | | | | | |
| 09-001255 | LH | E11658L | .790 | 2-21/32" | 1-5/64" | 1-11/32" | 1/2" |
| 09-001254 | RH | E11658R | | | | | |
| 09-001966 | LH | E11673L | .890 | 2-11/16" | 1-1/8" | 1-3/8" | 3/8" |
| 09-001965 | RH | E11673R | | | | | |
| 09-002205 | LH | E11682L | .974 | 2-13/16" | 1-3/16" | 1-3/16" | 9/16" |
| 09-002204 | RH | E11682R | | | | | |
| R005721L | LH | 501170L, E5721L, M1107, W271 | .782 | 2-7/8" | 1" | 1-3/4" | 1/2" |
| R005721R | RH | 501170R, E5721R, M1106, W270 | | | | | |
| 09-001653 | LH | E11668L | .770 | 3-1/8" | 1-1/2" | 1-3/16" | |
| 09-001652 | RH | E11668R | | | | | |
| R008958L | LH | E8958L, W637 | .974 | 3-1/8" | 13/16" | 1-5/16" | 7/16" |
| R008958R | RH | E8958R, W636 | | | | | |
| R005910L | LH | 501165L, E5910L, M2437, W396 | | | | | |
| R005910R | RH | 501165R, E5910R, M2436, W395 | .780 | 3-3/16" | 1-21/32" | 1-19/32" | |
| 09-001540 | LH | E11664L | | | | | |
| R009524L | LH | E9524L, W735 | .974 | 3-11/32" | 25/32" | 1-27/32" | |
| R009524R | RH | E9524R, W734 | | | | | |
| R009525L | LH | E9525L, W737 | | | | | |
| R009525R | RH | E9525R, W736 | .784 | 3-13/32" | 1-13/16" | 1-1/16" | 1/2" |
| R005909L | LH | 501183L, E5909L, M1291, W379 | | | | | |
| R005909R | RH | 501183R, E5909R, M1290, W378 | .780 | 3-1/2" | 1-25/32" | 1-9/32" | |
| R008978L | LH | E8978L, W1073L, W645, W883L | | | | | |
| R008978R | RH | E8978R, W1073R, W644, W883R | .780 | 3-1/2" | 2-11/32" | 1-15/64" | |
| R008957L | LH | E8957L | | | | | |
| R008957R | RH | E8957R | .784 | 3-7/8" | 2-1/16" | 1-11/16" | |
| R008954L | LH | E8954L, W629 | | | | | |
| R008954R | RH | E8954R, W628 | .974 | 4" | 2-7/16" | 1-3/16" | 1" |
| R008977L | LH | E8977L, M3629, W1061L, W635 | | | | | |
| R008977R | RH | E8977R, M3628, W1061R, W634 | | | | | |
| R005722L | LH | 501173L, E5722L, M1109, W371 | | | | | |
| R005722R | RH | 501173R, E5722R, M1108, W370 | | | | | |

WHEEL STUDS

SERRATED WHEEL STUDS

GRADE 8

3/4"-16 Thread



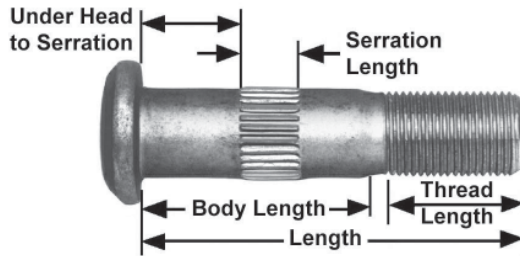
BODY DIAMETER

| PART NO. | THREAD DIR. | REPLACES | "A" | "B" | LENGTH | BODY LENGTH | THREAD LENGTH | SERRATION LENGTH |
|-----------|-------------|---------------------|------|------|----------|-------------|---------------|------------------|
| 09-001997 | RH | E11659R | | .940 | | 57/64" | 1-1/4" | 1/2" |
| 09-001983 | LH | E11674L | | .939 | 2-3/8" | 1" | 1-15/64" | 3/4" |
| 09-001982 | RH | E11674R | | .940 | | 1-1/8" | 1-1/8" | |
| 09-002050 | LH | E11661L | | .940 | | 1-1/8" | 1-1/8" | |
| 09-002049 | RH | E11661R | | .940 | | 1-1/8" | 1-1/8" | |
| 09-001911 | LH | E11672L | .890 | | 2-5/8" | 1-1/64" | 1-3/8" | 1/2" |
| 09-001910 | RH | E11672R | | | | | | |
| 09-002086 | LH | E11678L | | .939 | 2-49/64" | 7/8" | 1-39/64" | |
| 09-002085 | RH | E11678R | | | | | | |
| 09-001985 | LH | E11675L | | | 2-53/64" | 1" | 1-11/16" | 3/4" |
| 09-001984 | RH | E11675R | | | | | | |
| R009003L | LH | E9003L | .779 | .779 | 2-57/64" | 1-5/16" | 1-19/32" | 7/16" |
| R009003R | RH | E9003R | | | | | | |
| R008947L | LH | E8947L, M3609, W576 | .777 | .784 | 2-31/32" | 1-3/8" | 1-1/16" | |
| R008947R | RH | E8947R, M3608, W575 | | | | | | |
| 09-001996 | LH | E11677L | .890 | .939 | 3-3/64" | 57/64" | 1-51/64" | 1/2" |
| 09-001995 | RH | E11677R | | | | | | |
| R009008L | LH | M3617, W687 | .786 | .786 | 3-3/8" | 1-13/32" | 1-21/32" | |
| R009008R | RH | M3616, W686 | | | | | | |

WHEEL STUDS

SERRATED WHEEL STUDS - Stud Body Diameter .784

GRADE 8

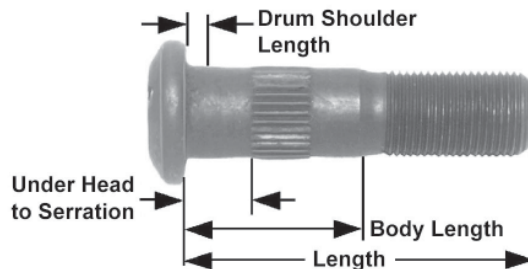


3/4"-16 Thread

| PART NO. | REPLACES | LENGTH | BODY LENGTH | UNDER HEAD TO SERRATION | THREAD LENGTH | SERRATION LENGTH | APPLICATION INFORMATION |
|----------|---|--------|-------------|-------------------------|---------------|------------------|---|
| R004964R | 501120R, E4964R, M72, W62 | 2-1/8" | 3/4" | | | | |
| R004965L | 192, 501122L, 67242, E4965L, K36708, M75, W65 | 2-3/8" | 1" | 1/4" | | | |
| R004965R | 191, 501122R, 67241, E4965R, K36707, M74, W64 | | | | | | |
| R004966L | 264, 501123L, E4966L, M77, W67 | 2-5/8" | 1-1/4" | 5/16" | | | |
| R004966R | 263, 501123R, E4966R, M76, W66 | | | | | | |
| R004967L | 501127L, 67246, 969, E4967L, M79, W69 | | | 1/4" | | | |
| R004967R | 501127R, 67245, 968, E4967R, M78, W68 | | | | 1-1/4" | 1/2" | |
| R004968L | 501128L, 67248, 852, E4968L, M81, W699, W71 | 2-7/8" | 1-1/2" | 1/2" | | | Used on TK, TKL, RL, TL (also Eaton). With some cast drums on TK, TKL, use R004968-R/L. |
| R004968R | 501128R, 67247, 851, E4968R, M80, W698, W70 | | | | | | Used on RN, RQ, TKN. |
| R004969L | 184, 501131L, 67249, E4969L, M83, W73 | 3-1/8" | 1-3/4" | | | | |
| R004969R | 183, 501131R, 67250, E4969R, M82, W72 | | | 9/16" | | | |
| R005869L | 501137L, E5869L, M1211, W287 | 4-1/8" | 2-3/4" | | | | |
| R005869R | 501137R, E5869-R, M1210, W286 | | | | | | |

SERRATED WHEEL STUDS WITH DRUM SHOULDER - Stud Body Diameter .784

GRADE 8



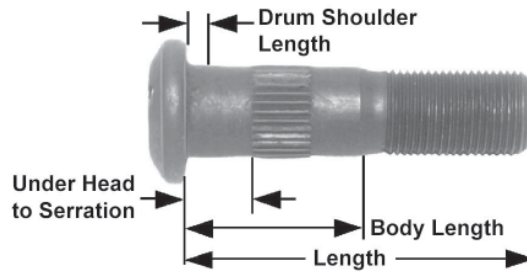
3/4"-16 Thread

| PART NO. | REPLACES | DRUM SHOULDER DIAMETER | DRUM SHOULDER LENGTH | BODY LENGTH | UNDER HEAD TO SERRATION |
|----------|---|------------------------|----------------------|-------------|-------------------------|
| R005764L | 501121L, E5764L, M1207, W283 | | | 2-3/8" | 3/8" |
| R005870L | 501124L, E5870L, M1209, W285 | | | 2-5/8" | 7/16" |
| R005870R | 501124R, E5870R, M1208, W284 | | | 1-1/4" | |
| R005776 | 501129, E5776, M1284, W390 | .798/.808 | | 3" | 1/2" |
| R005756L | 501134L, E5756L, M1111, W373 | | | 1-9/16" | 9/16" |
| R005756R | 501134R, E5756R, M1110, W372 | | | 5/16" | |
| R005765L | 098, 501133L, E5765L, M1121, W237 | | | 3-3/8" | 9/16" |
| R005765R | 097, 501133R, 6730367304, E5765R, M1120, W236 | | | 2" | 3/8" |

WHEEL STUDS

SERRATED WHEEL STUDS WITH DRUM SHOULDER - Stud Body Diameter .784

GRADE 8

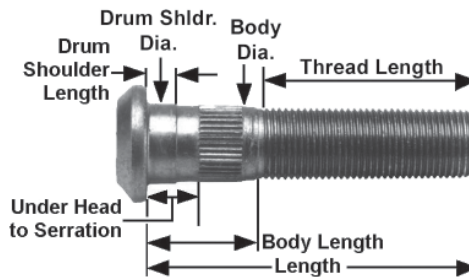


3/4"-16 Thread

| PART NO. | REPLACES | DRUM SHOULDER DIAMETER | LENGTH | BODY LENGTH | DRUM SHOULDER LENGTH | UNDER HEAD TO SERRATION |
|----------|---|------------------------|--------|-------------|----------------------|-------------------------|
| R005757L | 376, 501135L, E5757E, E5757L, M1113, W279 | .798/.808 | 3-5/8" | 2-1/4" | 5/16" | 9/16" |
| R005757R | 375, 501135R, E5757R, M1112, W278 | | | | | |
| R005766L | 501136L, E5766L, M1177, W281 | .798/.808 | 3-7/8" | 2-1/2" | 5/16" | 9/16" |
| R005766R | 501136R, E5766R, M1176, W280 | | | | | |

SERRATED WHEEL STUDS WITH DRUM SHOULDER

GRADE 8



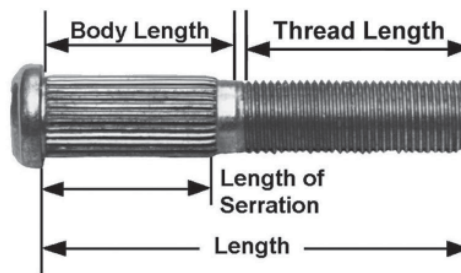
5/8"-18 Thread

| PART NO. | REPLACES | BODY DIA. | DRUM SHOULDER DIA. | LENGTH | BODY LENGTH | DRUM SHOULDER LENGTH | UNDER HEAD TO SERRATION |
|----------|--|-----------|--------------------|----------|-------------|----------------------|-------------------------|
| R008946L | 3011351L, E8946L, M10MH1792, M1273, W385, W604 | .639 | .673 | 2-15/16" | 15/16" | 1/4" | 7/16" |
| R008946R | 3011351R, E8946R, M10MH1782, M1272, W384, W603 | .639 | .673 | 2-15/16" | 15/16" | 1/4" | 7/16" |

11

SERRATED WHEEL STUDS - Stud Body diameter .606

GRADE 8



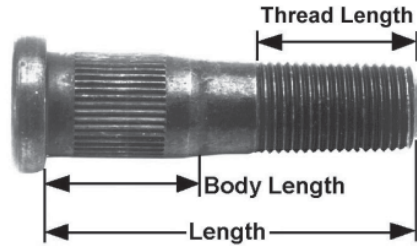
9/16"-18 Thread

| PART NO. | REPLACES | LENGTH | BODY LENGTH | THREAD LENGTH | SERRATION LENGTH |
|----------|--------------------|----------|-------------|---------------|------------------|
| R002650 | E8963, M1276, W600 | 3" | 1-1/16" | 1-1/4" | 7/8" |
| R008964 | E8964, M1278, W601 | 3-1/2" | 1-1/16" | 1-5/8" | |
| R008965 | E8965, M1279, W602 | 3-19/32" | 1-9/32" | 2" | |

WHEEL STUDS

SERRATED WHEEL STUDS - Stud Body Diameter .740

GRADE 8

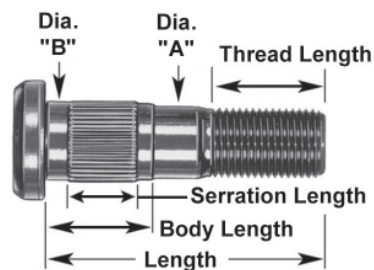


11/16"-16 Thread

| PART NO. | REPLACES | LENGTH | BODY LENGTH | THREAD LENGTH |
|----------|--|--------|-------------|---------------|
| R005682 | 46009, 501110, E5682, K46009, M158, W180 | 2-5/8" | 1" | 1-1/8" |
| R005683 | 46010, 501111, E5683, K46010, M159, W181 | 3-1/4" | 1" | 1-1/2" |

SERRATED WHEEL STUDS

GRADE 8

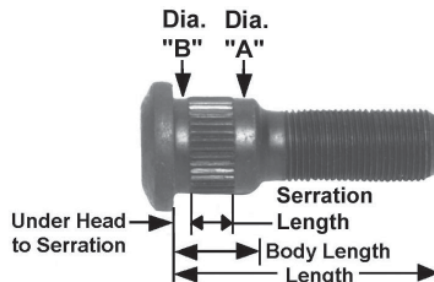


11/16"-16 Thread

| PART NO. | REPLACES | STUD BODY DIA. "A" | STUD BODY DIA. "B" | LENGTH | BODY LENGTH | THREAD LENGTH | SERRATION LENGTH |
|----------|-------------|--------------------|--------------------|--------|-------------|---------------|------------------|
| R008962 | E8962, W677 | .728 | .747 | 3-1/4" | 1-1/8" | 1-27/32" | 5/8" |
| R008961 | E8961, W682 | .757 | .757 | 3-5/8" | 1-5/16" | 1-31/32" | 1/2" |

SERRATED WHEEL STUDS

GRADE 8



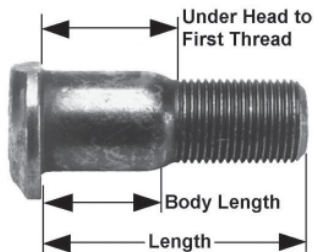
3/4"-16 Thread

| PART NO. | REPLACES | STUD BODY DIA. "A" | STUD BODY DIA. "B" | LENGTH | BODY LENGTH | UNDER HEAD TO SERRATION | SERRATION LENGTH |
|----------|-----------------------------|--------------------|--------------------|----------|-------------|-------------------------|------------------|
| R008949L | E8949L, M3219, W505 | .909 | .910 | 2-19/32" | 31/32" | 7/32" | 13/32" |
| R008949R | 48949R, E8949R, M3218, W504 | .909 | .910 | 2-19/32" | 31/32" | 7/32" | 13/32" |
| R005632 | 501225, E5632, M184, W515 | .747 | .827 | 3-1/4" | 1-3/8" | 1/8" | 3/4" |

WHEEL STUDS

“D” HEAD STUDS - Stud Body Diameter .874

GRADE 8

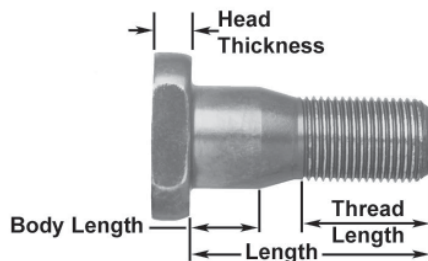


3/4"-16 Thread

| PART NO. | REPLACES | LENGTH | BODY LENGTH | UNDER HEAD TO FIRST THREAD |
|----------|---|--------|-------------|----------------------------|
| R005587L | 501200L, E5587L, M261, W126 | 2" | 25/32" | 31/32" |
| R004988L | 101, 20049, 501201L, E4988L, K20049, M103, W102 | 2-1/4" | 1-3/64" | 1-21/64" |
| R004988R | 100, 20048, 501201R, E4988R, K20048, M102, W101 | | | |
| R005588L | 501202L, E5588L, M105, W104 | 2-3/8" | 1-3/16" | |
| R005588R | 501202R, E5588R, M104, W103 | | | 1-15/32" |
| R005618L | 501205L, E5618L, M259, W402 | 2-5/8" | 1-5/16" | |
| R005618R | 501205R, E5618R, M258, W401 | | | |

“D” HEAD STUDS - Stud Body Diameter .888 - For Dura-Lite Hubs

GRADE 8



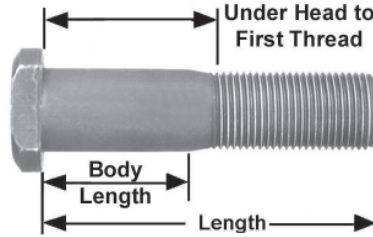
3/4"-16 Thread

| PART NO. | REPLACES | LENGTH | BODY LENGTH | THREAD LENGTH | HEAD THICKNESS |
|-----------|----------|----------|-------------|---------------|----------------|
| R0010258L | E10258L | 2-1/16" | | 1-1/8" | |
| R0010259L | E10259L | 2-11/32" | 5/8" | 1-3/8" | .31" |
| R0010259R | E10259R | | | | |

WHEEL STUDS

CLIPPED HEAD STUDS - Stud Body Diameter .785 - For Aluminum Hubs

GRADE 8

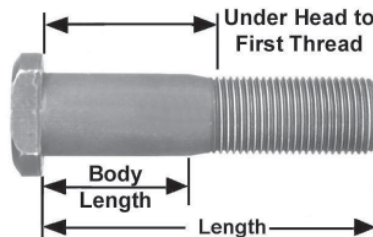


3/4"-16 Thread

| PART NO. | REPLACES | LENGTH | BODY LENGTH | UNDER HEAD TO FIRST THREAD |
|-----------|---|----------|-------------|----------------------------|
| R0010213L | E10213L, W743 | 2-15/16" | 59/64" | 1-1/8" |
| R0010213R | E10213R, W742 | | | |
| R006026L | 100012, 100012L, 501260L, E6026L, M3221, W523 | 3-5/32" | 1-13/32" | 1-23/32" |
| R006026R | 100013, 100013R, 501260R, 6026R, E6026R, M3220, W522 | | | |
| R006058L | 100368, 501263L, E6058L, M3223, W527 | 3-1/4" | 1-17/32" | 1-7/8" |
| R006058R | 100369, 501263R, E6058R, M3222, W526 | | | |
| R0010214L | E10214L, W643 | 3-5/16" | 15/16" | 1-3/4" |
| R0010214R | E10214R, W642 | | | |
| R006027L | 100254, 501265L, E6027L, M3225, W543 | 3-13/32" | 1-13/32" | 1-3/4" |
| R006027R | 100255, 501265R, E6027R, M3224, W542 | | | |
| R006059L | 100370, 501264L, E6059L, M3227, W529 | 3-17/32" | 1-9/16" | 1-29/32" |
| R006059R | 100371, 501264R, E6059R, M3226, W528 | | | |
| R006028L | 100225, 100372, 501261L, E6028L, M3229, W578 | 3-25/32" | 1-1/2" | 1-3/4" |
| R006028R | 100226, 100372/3, 1003723, 100373, 501261R, E6028R, M3228, W577 | | | |

CLIPPED HEAD STUDS - Stud Body Diameter .907

GRADE 8

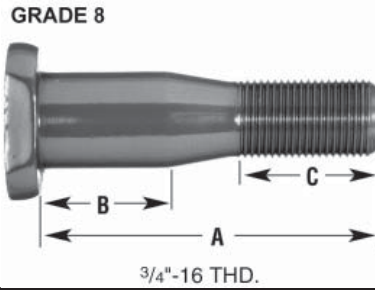


3/4"-16 Thread

| PART NO. | THD DIR | REPLACES | LENGTH | BODY LENGTH | THREAD LENGTH | UNDER HEAD TO FIRST THREAD |
|-----------|---------|----------|----------|-------------|---------------|----------------------------|
| 09-002025 | RH | E11686R | 2-25/64" | 7/16" | 1-43/64" | 23/32" |
| 09-002026 | LH | E11686L | | | | |

WHEEL STUDS

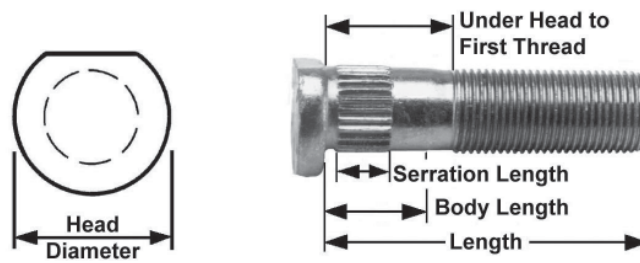
CLIPPED HEAD STUDS - Stud Body Diameter .910



| PART NO. | REPLACES | LENGTH | BODY LENGTH | THREAD LENGTH |
|----------|----------------------|---------|-------------|---------------|
| R008952L | 101773, E8952L, W627 | 3-5/32" | 1-3/16" | 1-1/4" |
| R008952R | 101774, E8952R, W626 | | | |

"D" HEAD STUDS WITH SERRATIONS - Stud Body Diameter .624

GRADE 8

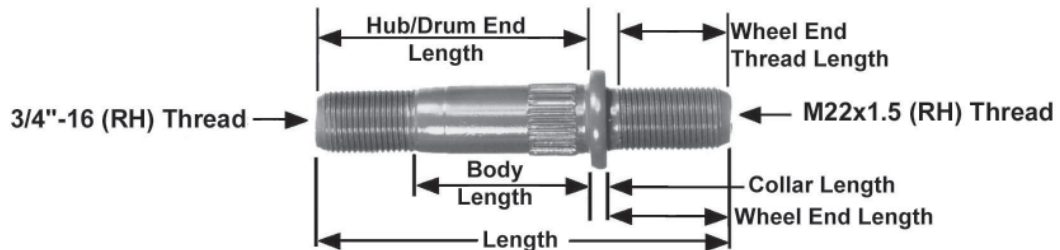


5/8"-18 Thread

| PART NO. | REPLACES | LENGTH | HEAD DIA. | BODY LENGTH | UNDER TO FIRST THREAD | SERRATION LENGTH |
|----------|-----------------------------------|--------|-----------|-------------|-----------------------|------------------|
| R005612R | 501321R, E5612R, M160, M246, W452 | 2-1/2" | 53/64" | 13/16" | 15/16" | 1/4" |

METRIC ROUND COLLAR SHOULDER STUDS - Stud Body Diameter .781

GRADE 8

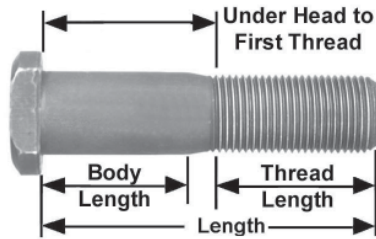


| PART NO. | REPLACES | LENGTH | HUB/DRUM END LENGTH | BODY LENGTH | WHEEL END LENGTH | WHEEL END THD LENGTH | COLLAR LENGTH |
|-----------|----------|----------|---------------------|-------------|------------------|----------------------|---------------|
| 09-002073 | E11724 | 5-35/64" | 2-57/64" | 1-41/64" | 2-9/16" | 2-1/4" | 3/32" |

WHEEL STUDS

METRIC CLIPPED HEAD STUDS - Stud Body Diameter .907

GRADE 10.9



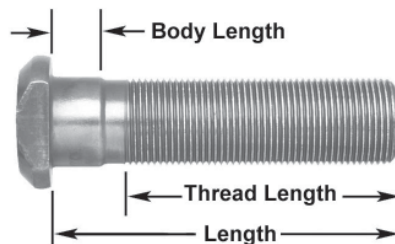
M22x1.5 Thread

| PART NO. | REPLACES | LENGTH | BODY LENGTH | THREAD LENGTH | UNDER HEAD TO FIRST THREAD |
|-----------|----------|--------|-------------|---------------|----------------------------|
| 09-001962 | E11693 | 3-1/2" | 29/64" | 2-9/16" | 15/16" |
| 09-001914 | E11692 | 4-3/8" | 29/64" | 3-27/64" | 61/64" |

WHEEL STUDS - METRIC

METRIC "D" HEAD STUDS - Stud Body Diameter .888 - For Dura-Lite Hubs

GRADE 10.9

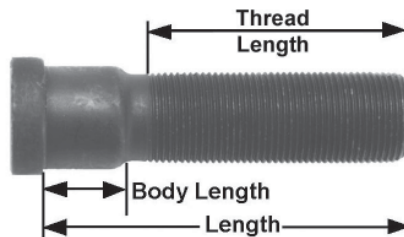


M22x1.5 Thread

| PART NO. | REPLACES | LENGTH | BODY LENGTH | THREAD LENGTH |
|----------|----------|---------|-------------|---------------|
| R0010256 | E10256 | 3-3/8" | 1/2" | 2-1/2" |
| R0010257 | E10257 | 4-3/16" | | 3-5/16" |

METRIC CLIPPED HEAD STUDS - Stud Body Diameter .981

GRADE 10.9



R005992A is "D" Head

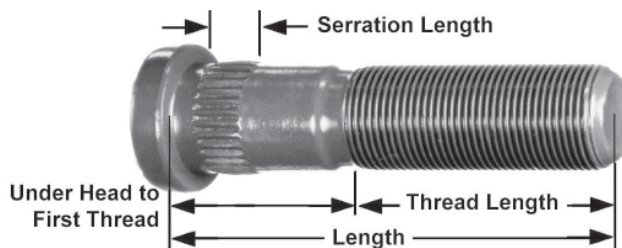
M22x1.5 Thread

| PART NO. | REPLACES | LENGTH | BODY LENGTH | THREAD LENGTH |
|----------|----------------------------|----------|-------------|---------------|
| R005992A | E5992A | 3-9/16" | 23/32" | 2-15/32" |
| R005993 | 501274, E5993, M3206, W489 | 4-1/8" | 3/4" | 3-1/16" |
| R008997 | E8997, W679 | 4-25/32" | 5/8" | 3-3/4" |

WHEEL STUDS - METRIC

METRIC SERRATED WHEEL STUDS - Stud Body Diameter .791

GRADE 10.9

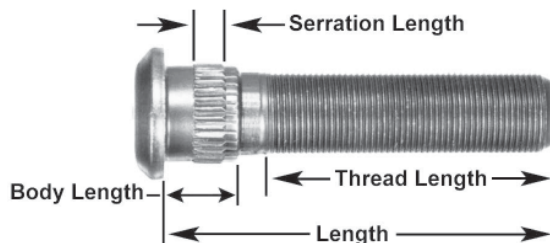


M20x1.5-6G Thread

| PART NO. | REPLACES | LENGTH | THREAD LENGTH | UNDER HEAD TO FIRST THREAD | SERRATION LENGTH |
|-----------|----------|----------|---------------|----------------------------|------------------|
| 09-001853 | E11706 | 2-3/4" | 2" | 3/4" | |
| 09-001990 | E11712 | 2-59/64" | 2-11/64" | | |
| 09-001811 | E11703 | 3-11/16" | 2-27/64" | | 3/8" |
| 09-001855 | E11707 | 3-7/8" | 2-5/8" | 1-1/4" | |
| 09-001964 | E11709 | 4-11/64" | 2-59/64" | | |

METRIC SERRATED WHEEL STUDS - Stud Body Diameter .791

GRADE 10.9



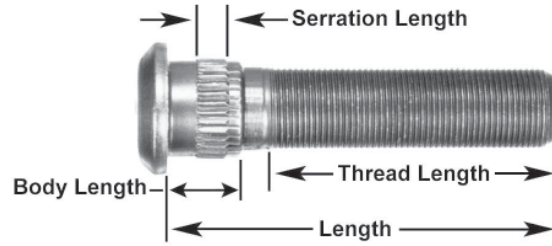
M22x1.5 Thread

| PART NO. | REPLACES | LENGTH | BODY LENGTH | THREAD LENGTH | SERRATION LENGTH |
|-----------|----------|----------|-------------|---------------|------------------|
| 09-001825 | E11704 | 2-35/64" | 27/32" | 1-23/32" | 3/8" |
| 09-001826 | E11705 | 3-7/64" | 63/64" | 2-1/8" | |

WHEEL STUDS - METRIC

METRIC SERRATED WHEEL STUDS - Stud Body Diameter .890

GRADE 10.9

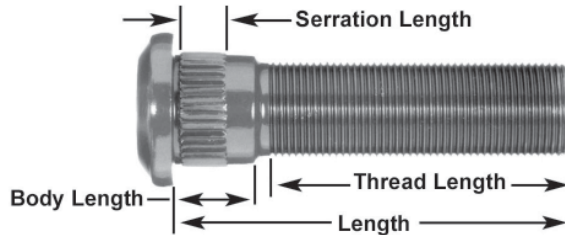


M22x1.5 Thread

| PART NO. | REPLACES | LENGTH | BODY LENGTH | THREAD LENGTH | SERRATION LENGTH |
|-----------|----------|----------|-------------|---------------|------------------|
| 09-001958 | E11708 | 2-3/4" | 51/64" | 1-21/32" | |
| 09-002013 | E11718 | 2-13/16" | | 1-43/64" | |
| 09-001988 | E11710 | 3-11/32" | | 2-15/64" | |
| 09-002002 | E11714 | 3-39/64" | 7/8" | 2-43/64" | |
| 09-001989 | E11711 | 3-23/32" | | 2-9/16" | |
| 09-002001 | E11713 | 3-27/32" | | 2-11/16" | 3/8" |
| 09-002005 | E11717 | | 1-1/8" | 2-5/8" | |
| 09-001727 | E11701 | 3-7/8" | | 2-3/4" | |
| 09-002004 | E11716 | 4-11/64" | 7/8" | 3-1/64" | |
| 09-001728 | E11702 | 4-5/16" | | 3-3/16" | |
| 09-002003 | E11715 | 4-25/32" | | 3-27/32" | |

METRIC SERRATED WHEEL STUDS - Stud Body Diameter .901

GRADE 10.9



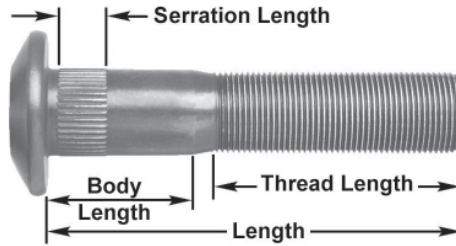
M22x1.5 Thread

| PART NO. | REPLACES | LENGTH | BODY LENGTH | THREAD LENGTH | SERRATION LENGTH |
|-----------|----------------------------|----------|-------------|---------------|------------------|
| 09-002184 | E11719 | 2-59/64" | | 1-49/64" | 3/8" |
| R005998 | 501284, E5998, M3200, W496 | 3-3/16" | | 2" | |
| R005997 | 501285, E5997, M3201, W497 | 3-21/32" | 7/8" | 2-29/64" | 13/32" |
| R005999 | 501286, E5999, M3202, W495 | 4-9/16" | | 3-13/32" | |

WHEEL STUDS - METRIC

METRIC SERRATED WHEEL STUDS - Stud Body Diameter .910

GRADE 10.9

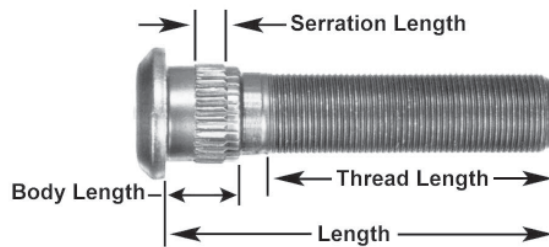


M22x1.5 Thread

| PART NO. | REPLACES | LENGTH | BODY LENGTH | THREAD LENGTH | SERRATION LENGTH |
|----------|----------------------------|----------|-------------|---------------|------------------|
| R0010222 | 103193, E10222 | 3-21/32" | 1-7/32" | 2-3/32" | |
| R0010218 | 102033, E10218, W703 | 3-31/32" | 1-9/16" | 2-1/16" | |
| R0010215 | 102188, E10215, W716 | 4-3/32" | 1-1/16" | 2-11/32" | |
| R0010219 | 102290, E10219, W708 | 4-15/32" | 1-9/16" | 2-9/16" | |
| R0010216 | 102189, E10216, W717 | 4-19/32" | 1-1/16" | 2-27/32" | 1/2" |
| R0010217 | 102190, E10217 | 4-31/32" | | 3-7/32" | |
| R0010220 | 102291, E10220, W718, W719 | | 1-9/16" | 3-1/16" | |
| R0010221 | 102292, W702 | 5-11/32" | | 3-7/16" | |

METRIC SERRATED WHEEL STUDS - Stud Body Diameter .975

GRADE 10.9



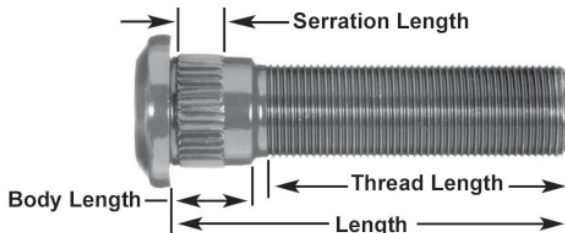
M20x1.5 Thread

| PART NO. | REPLACES | LENGTH | BODY LENGTH | THREAD LENGTH | SERRATION LENGTH |
|----------|--|----------|-------------|---------------|------------------|
| R0010242 | E10242 | 2-29/32" | 23/32" | 1-21/32" | 3/8" |
| R0010675 | E10675, W1234, W1324 | 3-1/2" | 11/16" | 2-1/2" | 1/2" |
| R006036 | 501267, E6036, M3215, W544 | 3-1/2" | 23/32" | 2-1/4" | 3/8" |
| R008988 | E8988, W1246, W678 | 3-11/16" | 7/8" | 2-11/32" | 1/2" |
| R006035 | 501268, E6035, M3216, W545 | 3-15/16" | 23/32" | 2-11/16" | 3/8" |
| R008981 | E8981, M3667, W1164, W657 | 4" | 7/8" | 2-29/32" | 1/2" |
| R0010676 | E10676, W1196, W1249, W1327, W1403, W669 | 4-1/4" | 7/16" | 3-1/4" | |
| R009526 | E9526, W714 | 4-5/16" | 23/32" | 3-1/16" | |
| R006034 | 501269, E6034, M3217, W546 | 4-13/16" | 23/32" | 3-17/32" | 3/8" |
| R008980 | E8980, W1160, W656 | 5-3/32" | 7/8" | 3-3/4" | |
| R008987 | E8987, W1211, W688 | 5-3/16" | 1-1/16" | 3-23/32" | 1/2" |

WHEEL STUDS - METRIC

METRIC SERRATED WHEEL STUDS - Stud Body Diameter 1.22

GRADE 10.9



M22x1.5 Thread

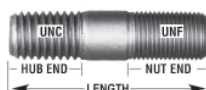
| PART NO. | REPLACES | LENGTH | BODY LENGTH | THREAD LENGTH | SERRATION LENGTH |
|----------|--------------------|----------|-------------|---------------|------------------|
| R008986 | E8986, W1205, W676 | 4-13/32" | 1-3/16" | 2-7/8" | 3/4" |

DRIVE FLANGE STUDS

BUDD, DAYTON, GUNITE, MERITOR

| PART NO. | REPLACES | BODY DIA. | LENGTH | HUB END | | NUT END | |
|-----------|--|-----------|----------|----------|---------------|----------|---------------|
| | | | | THREAD | THREAD LENGTH | THREAD | THREAD LENGTH |
| R005796 | 08007358, 541602, 8201758, E5796, L1519, M2464, W595, WP28 | 7/16" | 2-1/4" | 7/16"-14 | 21/32" | 7/16"-20 | 45/64" |
| R005798 | 541606, E5798, L1520, M2520 | 1/2" | 2-3/8" | 1/2"-13 | 3/4" | 1/2"-20 | 13/16" |
| R005799 | 541607, 8004350, E5799, L1521, L2093, M2521, WP81 | 1/2" | 2-1/2" | 1/2"-13 | 3/4" | 1/2"-20 | 13/16" |
| R005944 | E5944, L1532, WP693 | 9/16" | 2-1/2" | 9/16"-12 | 15/16" | 9/16"-18 | 7/8" |
| R005946 | E5946, L2095 | 5/8" | 2-1/2" | 5/8"-11 | 15/16" | 5/8"-18 | 1" |
| R005800 | 08007775, 541614, E5800, L1525, M2523, WP174 | 5/8" | 2-3/4" | 5/8"-11 | 1" | 5/8"-18 | 1" |
| 08-205435 | E11649 | 1/2" | 2-7/8" | 1/2"-13 | 53/64" | 1/2"-20 | 63/64" |
| R005947 | 541618, E5947, L1526 | 5/8" | 2-7/8" | 5/8"-11 | 1" | 5/8"-18 | 1" |
| 08-205575 | E11650 | 9/16" | 2-59/64" | 9/16"-12 | 1-1/4" | 9/16"-18 | 1" |
| R005954 | 8008551, E5954 | 5/8" | 2-15/16" | 5/8"-11 | 13/16" | 5/8"-18 | 1-3/16" |
| 08-205740 | E11651 | 5/8" | 2-15/16" | 5/8"-11 | 55/64" | 5/8"-11 | 1-3/8" |
| 08-205833 | E11654 | 5/8" | 3.03 | 5/8"-11 | 31/32" | 5/8"-18 | 1-23/64" |
| 08-205741 | E11652 | 1/2" | 3-1/32" | 1/2"-13 | 1" | 1/2"-13 | 1" |
| R005801 | 541619, E5801, L2094, M2509 | 5/8" | 3-1/16" | 5/8"-11 | 1-3/16" | 5/8"-18 | 1-1/16" |
| R005949 | E5949, L2959 | 5/8" | 3-1/4" | 5/8"-11 | 15/16" | 5/8"-18 | 1" |
| R005955 | 08007471, 541624, E5955, L1530, M2525 | 3/4" | 3-5/16" | 3/4"-10 | 1-3/64" | 3/4"-16 | 1-7/16" |
| R005872 | 100383, 541621, E5872, L1529, M2524 | 5/8" | 3-11/16" | 5/8"-11 | 1-9/16" | 5/8"-18 | 1-1/8" |
| R004960 | 541627, E4960, L1531, M2526, WP39 | 3/4" | 3-3/4" | 3/4"-10 | 1-1/8" | 3/4"-16 | 1-9/16" |

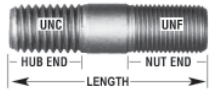
GRADE 8



DRIVE FLANGE STUDS

DRIVE FLANGE & GENERAL PURPOSE STUDS

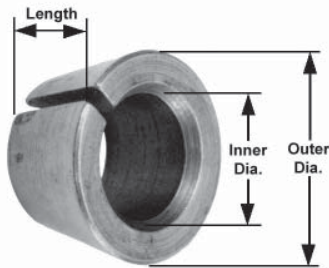
GRADE 8



| PART NO. | REPLACES | BODY DIA. | LENGTH | HUB END | | NUT END | |
|----------|---|-----------|--------|----------|---------------|----------|---------------|
| | | | | THREAD | THREAD LENGTH | THREAD | THREAD LENGTH |
| R004942 | E4942, M957, W87 | 1/2" | 2" | 1/2"-13 | 11/16" | 1/2"-20 | 15/16" |
| R004944 | E4944, M960, W89 | 1/2" | 2-1/2" | 1/2"-13 | 3/4" | 1/2"-20 | 1-1/8" |
| R004948 | E4948, M968, W93 | 9/16" | 2-1/2" | 9/16"-12 | 1" | 9/16"-18 | 1-7/16" |
| R004951 | E4951, W96 | 5/8" | 2-5/8" | 5/8"-11 | 15/16" | 5/8"-18 | 1-1/4" |
| R005702 | E5702, M974, W433 | 5/8" | 2-5/8" | 5/8"-11 | 1-1/16" | 5/8"-18 | 1" |
| R004945 | 8008134, E4945, L1522, M2522, M961, W90 | 1/2" | 2-3/4" | 1/2"-13 | 3/4" | 1/2"-20 | 1-5/8" |
| R004949 | E4949, M969, W94 | 9/16" | 2-3/4" | 9/16"-12 | 15/16" | 9/16"-18 | 1-1/2" |
| R004946 | E4946, M962, W91 | 1/2" | 3" | 1/2"-13 | 11/16" | 1/2"-20 | 2" |
| R004952 | E4952, M976, W97 | 5/8" | 3" | 5/8"-11 | 15/16" | 5/8"-18 | 1-3/4" |
| R004950 | E4950, M971, W95 | 9/16" | 3-1/4" | 9/16"-12 | 15/16" | 9/16"-18 | 1-15/16" |
| R004953 | 541620, E4953, L1528, M977, W98 | 5/8" | 3-1/2" | 5/8"-11 | 13/16" | 5/8"-18 | 2-1/4" |

DRIVE FLANGE WEDGES

DRIVE FLANGE WEDGE (Plated)



| PART NO. | REPLACES | INNER DIA. | OUTER DIA. | LENGTH |
|----------|------------------------------------|------------|------------|--------|
| R005952 | 541632, 5952, E5952, L1513, M2527 | 7/16" | 11/16" | 13/32" |
| R005736 | 46578, 541631, E5736, M981 | 7/16" | 3/4" | 5/16" |
| R005737 | 541630, 67544, E5737, L1514, M982 | 7/16" | 3/4" | 13/32" |
| R005739 | 541633, E5739, M984 | 1/2" | 13/16" | 5/16" |
| R005740* | 541634, 541635, E5740, L1515, M985 | 1/2" | 13/16" | 13/32" |
| R005957 | 541635, 67545, E5957, L1516, M2528 | 1/2" | 7/8" | 15/32" |
| R005742 | 541636, E5742, L2958, M986 | 9/16" | 7/8" | 3/8" |
| R005743 | 541637, 67546, E5743, L1517, M987 | 5/8" | 1" | 15/32" |
| R005960* | 541638, E5960, L1518, M2529 | 5/8" | 1" | 9/16" |
| R007224 | E10236, L2957 | 3/4" | 1-1/8" | 1/2" |

*No Split

DRIVE FLANGE NUTS



| PART NO. | REPLACES | THREAD | HEX | HEIGHT |
|----------|---|----------|---------|--------|
| R005032 | 34435, 541641, E5032, K34435, M215, SR1020, W24, W555 | 1/2"-20 | 3/4" | 7/16" |
| R005963 | 541643, E5963, W557 | 9/16"-18 | 7/8" | 31/64" |
| R005961 | 541640, E5961, W554 | 9/16"-20 | 11/16" | 13/32" |
| R002002 | 334357, E2002, L1102, SA1965, SH1011, W558 | 5/8"-18 | 15/16" | 35/64" |
| R005964 | 541644, E5964, L1752, M2034, W559 | 3/4"-16 | 1-1/16" | 5/8" |

DRUM BOLT ASSEMBLIES

GRADE 8



| PART NO. | THREAD SIZE | LENGTH |
|----------|-------------|--------|
| R005969 | 5/8"-11 | 2" |
| R005970 | 5/8"-18 | 2" |
| R009261 | 5/8"-18 | 2-1/4" |
| R005971 | 3/4"-10 | 2" |
| R009262 | 3/4"-10 | 2-1/4" |
| R005972 | 3/4"-16 | 2" |

BRAKE DRUM ATTACHING SCREW

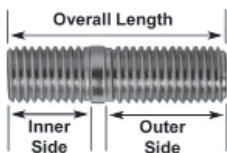
For Outboard Mounting



| PART NO. | REPLACES | THREAD | LENGTH |
|----------|----------------------------|---------|--------|
| R005018 | 531555, E5018, M1285, W560 | 1/2"-13 | 1" |

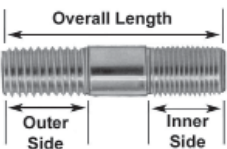
SPOKE WHEEL & RIM STUDS

GRADE 8






| PART NO. | REPLACES | OVERALL LENGTH | OUTER | | INNER | |
|----------|--|----------------|---------|----------|---------|---------|
| | | | THREAD | LENGTH | THREAD | LENGTH |
| R004955 | 08005148, 531514, E4955, H504400, M37, W17 | 2-3/8" | 5/8"-11 | 1-7/32" | 5/8"-11 | 7/8" |
| R004958 | 08006654, 531500, 531512, E4958, L1524, M38, W5, WP177 | 2-3/4" | 5/8"-11 | 1-11/16" | 5/8"-11 | 7/8" |
| R004956A | 08005715, 531501, 8205349, E4956A, E4956ABK, M39, W6, W855, WP147, WP855 | 3" | 3/4"-10 | 1-3/4" | 3/4"-10 | 1-1/16" |
| R005706 | 08204734, 531306, 8205349, E5706, M1102, W246, WP202 | 3-1/8" | 3/4"-10 | 1-29/32" | 3/4"-10 | 1" |
| R005726 | 531511, E5726, M1263, W430 | 3-1/4" | 5/8"-11 | 1-7/8" | 5/8"-11 | 7/8" |
| R005727 | 531513, E5727, W573 | 3-1/2" | 5/8"-11 | 1-7/8" | 5/8"-11 | 7/8" |
| R004957 | 08034396, 531502, 8203580, E4957, M40, W151 | 3-9/16" | 3/4"-10 | 1-5/8" | 3/4"-10 | 1-5/8" |
| R005728 | 531517, E5728, M1264, W431 | 3-5/8" | 3/4"-10 | 2-5/16" | 3/4"-10 | 1" |
| R005729 | 531518, E5729, M1265, W432 | 4" | 3/4"-10 | 2-11/16" | 3/4"-10 | 1" |

GRADE 8

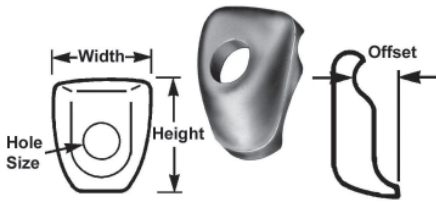


| | | | | | | |
|---------|----------------------------------|--------|----------|--------|----------|------|
| R005887 | 531530, E5887, L1532, W457, WP83 | 2-1/2" | 9/16"-12 | 15/16" | 9/16"-18 | 7/8" |
|---------|----------------------------------|--------|----------|--------|----------|------|

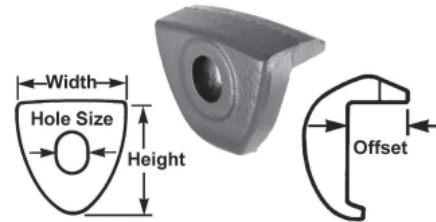
SPOKE WHEEL & RIM BOLTS

| PART NO. | REPLACES | THREAD | LENGTH | COMMENTS |
|--|-------------------------------------|---------|--------|--|
|  R005012 | 531540, E5012, M34, W21 | 5/8"-11 | 2" | Use with R004986A nut. Clipped head, Round body |
|  R004990 | 531539, E4990, E4990A, M41, W9, WP1 | 5/8"-11 | 2-1/8" | Use with R004962 nut. |
|  R005761 | 531551, 607, E5761, M1144, W220 | 3/4"-10 | 2-1/4" | Use with R005762 nut. |

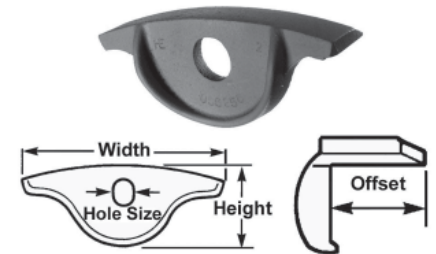
RIM CLAMPS



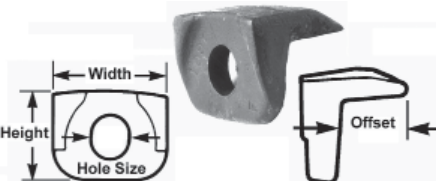
| PART NO. | REPLACES | HEIGHT | WIDTH | HOLE SIZE | OFFSET |
|----------|---|--------|-------|-----------|--------|
| R005927G | 09839910, 521440, 9007587, E5927, M27, M27A, W124 | 2" | 2" | 5/8" | 1/2" |



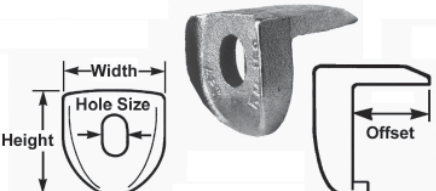
| PART NO. | REPLACES | HEIGHT | WIDTH | HOLE SIZE | OFFSET | SPACER WIDTH |
|-----------|---|----------|----------|-----------|--------|--------------|
| R005839 | | 2-13/32" | 2-7/8" | 5/8" | 2" | 3" |
| R005785G | 09870917, 521310, M1124, W406 | 2-13/32" | 2-7/8" | 3/4" | 1-7/8" | 3-3/8" |
| R005055 | 521375, E5055, M26, W447 | 2-1/2" | 2-5/8" | 3/4" | 1-3/4" | 3-5/8" |
| R005570 | 09541417, 521300, E5570, M1, W1 | 2-1/2" | 2-13/16" | 5/8" | 1" | 4" |
| R005045 | 09658417, 521303, E5045, M2, W143, W2 | 2-1/2" | 2-13/16" | 5/8" | 1-3/8" | 3-5/8" |
| R005044 | 040, 09604017, 521305, E5044, M7, W119 | 2-1/2" | 2-7/8" | 5/8" | 1-5/8" | 3-3/8" |
| R005571AG | 123, 521301, 67202, E5571A, E5571ABK, M1258, M3, W3, W541 | 2-1/2" | 2-7/8" | 3/4" | 1-1/8" | 4" |
| R005784G | | 2-1/2" | 2-7/8" | 3/4" | 1-1/4" | 4" |
| R005040AG | | 2-1/2" | 2-7/8" | 3/4" | 1-1/2" | 3-5/8" |
| R005572AG | | 2-1/2" | 2-7/8" | 3/4" | 1-3/4" | 3-3/8" |



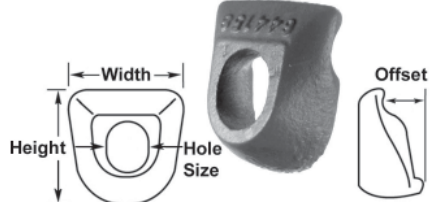
| | | | | | | |
|----------|---------------------------------|---------|--------|--------|----------|--------|
| R005828G | 257, 521394, E5828, M1142, W450 | 2-7/16" | 6" | 3/4" | 1-13/16" | 3-3/8" |
| R005829G | | 2-7/16" | 6-5/8" | 3/4" | 1-7/16" | 4" |
| R005883 | 521390, E5883, M2500, W537 | 2-1/2" | 6" | 3/4" | 1-5/16" | |
| R005827G | | 2-1/2" | 6" | 31/32" | 1-1/8" | |



| PART NO. | REPLACES | HEIGHT | WIDTH | HOLE SIZE | OFFSET |
|----------|-----------------------------------|----------|---------|-----------|----------|
| R005747 | 521370, E5747, M1134, W135, WP267 | 1-3/4" | 2-5/16" | 3/4" | 1-1/16" |
| R005837 | 521369, E5837, M1135, W255, WP398 | 1-13/16" | 2-1/4" | 3/4" | 1-13/16" |

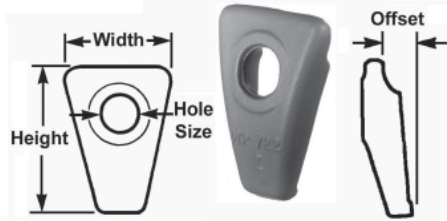


| | | | | | |
|----------|---------------------------------|----------|--------|------|---------|
| R005885G | 008, 521385, E5885, M1282, W456 | 2-13/32" | 2-1/2" | 3/4" | 1-5/16" |
| R005822 | 521378, E5822, M1247, W479 | 2-7/16" | 2-1/2" | 3/4" | 1-1/2" |
| R005820 | 521379, E5820, M1248, W572 | 2-7/16" | 2-1/2" | 3/4" | 1-5/8" |
| R005821G | 521382, E5821, M1249, W467 | 2-7/16" | 2-1/2" | 3/4" | 1-7/8" |
| R005783G | | 2-7/16" | 2-1/2" | 3/4" | 2-3/8" |

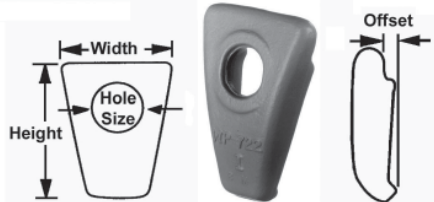


| | | | | | |
|---------|-------------|----|--------|------|--------|
| R005841 | E5841, W568 | 2" | 1-7/8" | 3/4" | 17/32" |
|---------|-------------|----|--------|------|--------|

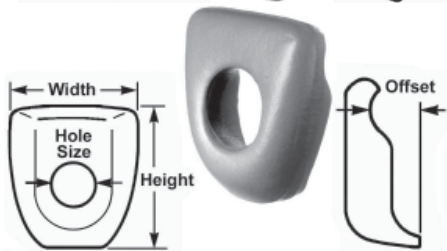
RIM CLAMPS



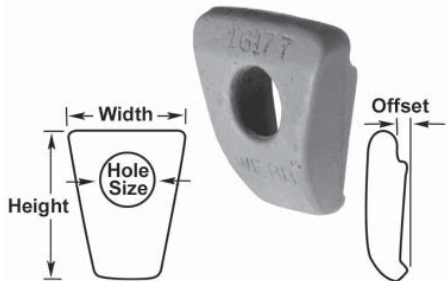
| PART NO. | REPLACES | HEIGHT | WIDTH | HOLE SIZE | OFFSET | RIM WIDTH |
|-----------------|--|--------|--------|-----------|--------|-----------|
| R005902G | 521430, 722, E5902, M2460, W256, WP722 | 3-5/8" | 2-1/2" | 3/4" | 1/2" | 8" |



| PART NO. | REPLACES | HEIGHT | WIDTH | HOLE SIZE | OFFSET |
|-----------------|--|--------|--------|-----------|--------|
| R009023G | 521431, 725, E9023, M2461, W418, WP725 | 3-5/8" | 2-1/2" | 3/4" | 5/8" |



| | | | | | |
|----------------|--|--------|----|------|------|
| R005890 | 521422, 544, E5890, M1173, W416, WP544 | 2-1/8" | 2" | 3/4" | 1/2" |
|----------------|--|--------|----|------|------|

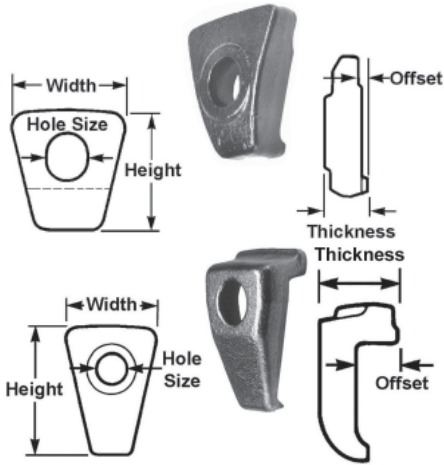


| | | | | | |
|----------------|-------------|--------|--------|------|--------|
| R009024 | E9024, W566 | 2-3/4" | 2-5/8" | 3/4" | 11/32" |
|----------------|-------------|--------|--------|------|--------|

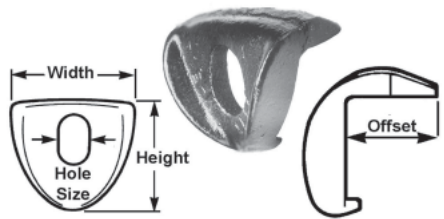


| PART NO. | REPLACES | HEIGHT | WIDTH | HOLE SIZE | OFFSET | SPACER WIDTH |
|------------------|---|--------|--------|-----------|---------|--------------|
| R005906 | 521335, E5906, M1244, W259, W866, WP866 | 2-1/4" | 2-1/4" | 3/4" | 1-5/8" | 3-5/8" |
| R005904A | 110, 138, 501129, 521336, 521337, 858, E5776, E5778, E5904A, E5905A, M1148, M1242, M1243, W1110, W1138, W257, W258, W570, W846, W858, WP1138, WP383, WP846, WP858 | 2-3/8" | 2-1/4" | 3/4" | 1-3/8" | 4" |
| R005905AG | 858, M1243, W258, WP1110, WP858 | 2-3/8" | 2-7/8" | 3/4" | 1-3/16" | 4" |

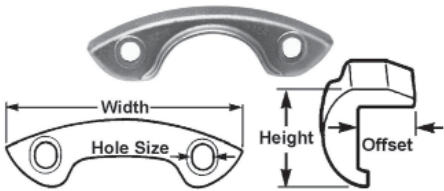
RIM CLAMPS



| PART NO. | REPLACES | HEIGHT | WIDTH | HOLE SIZE | OFFSET | THICKNESS |
|-----------------|--------------------------------------|----------|---------|-----------|--------|-----------|
| R006053 | 09001422, 511403, E6053, M3213, W565 | 2-5/8" | 2-1/2" | 13/16" | 5/16" | 1" |
| R006054G | | 3-13/32" | 2-1/16" | 3/4" | 21/32" | 1-1/4" |



| PART NO. | REPLACES | HEIGHT | WIDTH | HOLE SIZE | OFFSET | SPACER WIDTH |
|----------------|---|--------|--------|-----------|---------|--------------|
| R005046 | 09717110, 521320, E5046, M5, W117, W145 | 2-1/2" | 3-1/8" | 3/4" | 1-5/32" | 4" |



| PART NO. | REPLACES | HEIGHT | WIDTH | HOLE SIZE | OFFSET | WHEEL SIZE |
|-----------------|---------------------------------|----------|----------|-----------|----------|------------|
| R005953G | 314, 521410, E5953, M1183, W420 | 1-13/16" | 7-3/4" | 3/4" | 1-3/16" | 15" |
| R005973 | | 1-55/64" | 7-11/16" | 3/4" | 1-15/16" | 15" |
| R005825 | 521407, E5825, M1129, W227 | 2-5/16" | 12-5/16" | 3/4" | 1-1/16" | 22" |
| R005824 | 521405, E5824, M1128, W226 | 2-1/2" | 10-5/8" | 3/4" | 1-1/8" | 20" |

TRAILER AXLE SPINDLE HARDWARE

EATON & FRUEHAUF AXLES

| | PART NO. | DESCRIPTION | REPLACES | DIAMETER | LENGTH |
|---|----------|-------------|--------------|----------|--------|
|  | R002306 | Cotter Pin | 12406, E2306 | 1/4" | 3" |



EATON, MERITOR, SPICER & STD. FORGE 13,000 & 14,000 LB. AXLES

| | PART NO. | DESCRIPTION | REPLACES | ACROSS FLATS | THREAD SIZE | THICKNESS |
|---|-----------|-------------|--|--------------|-------------|-----------|
|  | 1227-H-34 | Nut | 103100001, 12461, 65466, E618, F1202, L209, M10HN107, M680 | 2-1/2" | 1-3/4"-12 | 3/8" |



FRUEHAUF "PRO-PAR" AXLE AND MERITOR EARLY MODEL TP AXLE

| | PART NO. | DESCRIPTION | REPLACES | DIA. | LGTH |
|---|----------|-------------|--|------|------|
|  | R001559 | Cotter Pin | 12403, 42204, 5403, E1559, L1762, M1069, M1430 | 1/4" | 1" |

FRUEHAUF "PRO-PAR" AXLE AND MERITOR EARLY MODEL TP AXLE




| | PART NO. | DESCRIPTION | REPLACES | ACROSS FLATS | THREAD SIZE | THICK | O.D. | I.D. |
|--|----------|-------------|---|--------------|-------------|---------|--------|------|
|  | R001561 | Lockwasher | 12402, 42203, 5402, 65463, E1561, L1893, L893, M1051 | | 7/32" | 5-1/16" | 3-1/2" | |
|  | R002550 | Spindle Nut | 12400, 42202, 5401, 66101, E2550, L1395, M1050, M1996 | 4-3/4" | 3-1/2"-12 | 1-1/8" | | |

MERITOR RL, RN, RQ, TK, TKL, TKN AXLES - "POSITIVE" ADJUSTMENT





| | PART NO. | DESCRIPTION | REPLACES | ACROSS FLATS | THREAD SIZE | THICKNESS | O.D. | I.D. |
|---|------------|-------------------|--|--------------|-------------|-----------|----------|----------|
|  | R003010 | Tab Lock Washer | E3010, M2568 | | | 1/16" | 4" | 2-13/32" |
|  | R001252 | Lockwasher | 12397, 42199, 66122, E1252, L1026, L843, M839 | | | 1/4" | 3-13/16" | 2-13/32" |
|  | R001251 | Outer Nut | 12398, 42198, 66121, E1251, L840, M840 | 3-1/4" | 2-3/8"-16 | 3/8" | | |
|  | 1227-B-678 | Wheel Bearing Nut | 12396, 38078, 42201, 66123, E1253, L2099, L842, M838 | 3-13/16" | 2-3/8"-16 | 1/2" | | |
|  | R002128 | Nut | 12399, 42200, 66125, E2128, L1025, M846 | 3-13/16" | 2-3/8"-16 | 1/2" | | |

TRAILER AXLE SPINDLE HARDWARE




MERITOR TN, TQ AXLES - "MANUAL" ADJUSTMENT

| PART NO. | DESCRIPTION | REPLACES | ACROSS FLATS | THREAD SIZE | THICKNESS | O.D. | I.D. |
|---|-----------------------------|---|--------------|-------------|-----------|----------|----------|
|  R000573 | Lockwasher (with set screw) | 10287, 105107, 12392, 42195, 5300, 66115, 820396, E573, F1531, F942, L177, M10HN100, M2567, M683 | | | 1/4" | 3-15/16" | 2-41/64" |
|  R000572 | Outer Nut | 10286, 103102001, 10408, 12393, 42194, 5200, 66114, 820395, E572, F1530, F941, L178, M10HN102, M684 | 3-1/4" | 2-5/8"-16 | 3/8" | | |
|  R000540 | Inner Nut | 038540, 10284, 103103002, 10406, 12391, 12407, 42196, 5210, 66117, 820394, E540, F1529, F940, L176, M10HN101, M2200, M682 | 3-13/16" | 2-5/8"-16 | 3/8" | | |

MERITOR TN, TQ AXLES - "POSITIVE" ADJUSTMENT

| PART NO. | DESCRIPTION | REPLACES | ACROSS FLATS | THREAD SIZE | THICKNESS | O.D. | I.D. |
|---|----------------------|--|--------------|-------------|-----------|--------|----------|
|  A-1229-X-2546 | Lock Washer Assembly | E7663, L3236 | | | 15/64" | 3-7/8" | 2-25/64" |
|  R001251 | Outer Nut | 12398, 42198, 66121, E1251, L840, M840 | 3-1/4" | 2-3/8"-16 | 3/8" | | |
|  1227-B-678 | Wheel Bearing Nut | 12396, 38078, 42201, 66123, E1253, L2099, L842, M838 | 3-13/16" | 2-3/8"-16 | 1/2" | | |
|  R002128 | Nut | 12399, 42200, 66125, E2128, L1025, M846 | 3-13/16" | 2-3/8"-16 | 1/2" | | |

MERITOR TP AXLE - "MANUAL" ADJUSTMENT

| PART NO. | DESCRIPTION | REPLACES | ACROSS FLATS | THREAD SIZE | THICKNESS | O.D. | I.D. |
|---|-------------|----------|--------------|-------------|-----------|---------|--------|
|  R007665 | Washer | | | | 7/32" | 5-1/16" | 3-1/2" |
|  R007666 | Spindle Nut | | 4-3/8" | 3-1/2"-12 | 3/8" | | |
|  R007664 | Spindle Nut | | 4-27/32" | 3-1/2"-12 | 3/8" | | |

TRAILER AXLE SPINDLE HARDWARE

MERITOR TP AXLE - "POSITIVE" ADJUSTMENT



| PART NO. | DESCRIPTION | REPLACES | ACROSS FLATS | THREAD SIZE | THICKNESS | O.D. | I.D. |
|----------------------|-------------------------|--|--------------|-------------|-----------|---------|----------|
| A-1229-S-4179 | Lock Washer Assembly | E7660 | | | 15/64" | 4-3/4" | 3-19/64" |
| 1229-Y-3119 | Lockwasher | E7659, L3216 | | | 1/4" | 5-3/64" | 3-19/64" |
| 1227-R-1240 | Inner Wheel Bearing Nut | E7658, L3214 | 4" | 3-1/4"-12 | 3/8" | | |
| R002303 | Inner Nut | 119883, 12417, 42222, 66224, E2303, L1355, M1980 | 4" | 3-1/4"-12 | 3/8" | | |
| R002305 | Outer Nut | 119881, 12419, 42223, 66226, E2305, L1353, M1978 | 4" | 3-1/4"-12 | 3/8" | | |



MERITOR TR AXLE



| PART NO. | DESCRIPTION | REPLACES | ACROSS FLATS | THREAD SIZE | THICKNESS | O.D. | I.D. |
|----------------------|----------------------|--|--------------|-------------|-----------|--------|----------|
| A-1229-S-4179 | Lock Washer Assembly | E7660 | | | 15/64" | 4-3/4" | 3-19/64" |
| R002303 | Inner Nut | 119883, 12417, 42222, 66224, E2303, L1355, M1980 | 4" | 3-1/4"-12 | 3/8" | | |
| R002305 | Outer Nut | 119881, 12419, 42223, 66226, E2305, L1353, M1978 | 4" | 3-1/4"-12 | 3/8" | | |

TRAILER AXLE SPINDLE HARDWARE

MERITOR, EATON, KERSHAW & STD. FORGE 17,000 & 18,000 LB. TRADE AXLES





| PART NO. | DESCRIPTION | REPLACES | ACROSS FLATS | THREAD SIZE | THICKNESS | O.D. | I.D. | TAB LENGTH |
|--|-----------------|---|--------------|-------------|-----------|----------|----------|------------|
|  R003009 | Tab Lock Washer | E3009 | | | 1/16" | 4-1/32" | 2-41/64" | 3/32" |
|  R002237 | Tab Lock Washer | 105106, 12394, 42197, 5660, E2237, L1327, M1068, M10HN151 | | | 1/16" | 4-1/32" | 2-41/64" | 5/32" |
|  R000573 | Lockwasher | 10287, 105107, 12392, 42195, 5300, 66115, 820396, E573, F1531, F942, L177, M10HN100, M2567, M683 | | | 1/4" | 3-15/16" | 2-41/64" | |
|  R000572 | Outer Nut | 10286, 103102001, 10408, 12393, 42194, 5200, 66114, 820395, E572, F1530, F941, L178, M10HN102, M684 | 3-1/4" | 2-5/8"-16 | 3/8" | | | |
|  R000540 | Inner Nut | 038540, 10284, 103103002, 10406, 12391, 12407, 42196, 5210, 66117, 820394, E540, F1529, F940, L176, M10HN101, M2200, M682 | 3-13/16" | 2-5/8"-16 | 3/8" | | | |

MERITOR, SPICER & STD. FORGE 11,000 LB. AXLES



| PART NO. | DESCRIPTION | REPLACES | ACROSS FLATS | THREAD SIZE | THICKNESS |
|--|-------------|--------------------------------|--------------|-------------|-----------|
|  R001087 | Nut | 103105, E1087, L1328, M10HN128 | 2-1/4" | 1-1/2"-12 | 9/32" |

TRAILER AXLE SPINDLE HARDWARE

SPICER D21 & D22 AND STD. FORGE A25 & A26 AXLES

| PART NO. | DESCRIPTION | REPLACES | ACROSS FLATS | THREAD SIZE | THICKNESS | O.D. | I.D. |
|---|-----------------|---|--------------|-------------|-----------|----------|----------|
|  R000573 | Lockwasher | 10287, 105107, 12392, 42195, 5300, 66115, 820396, E573, F1531, F942, L177, M10HN100, M2567, M683 | | | 1/4" | 3-15/16" | 2-41/64" |
|  R002237 | Tab Lock Washer | 105106, 12394, 42197, 5660, E2237, L1327, M1068, M10HN151 | | | 1/16" | 4-1/32" | 2-41/64" |
|  R000572 | Outer Nut | 10286, 103102001, 10408, 12393, 42194, 5200, 66114, 820395, E572, F1530, F941, L178, M10HN102, M684 | 3-1/4" | 2-5/8"-16 | 3/8" | | |
|  R000540 | Inner Nut | 038540, 10284, 103103002, 10406, 12391, 12407, 42196, 5210, 66117, 820394, E540, F1529, F940, L176, M10HN101, M2200, M682 | 3-13/16" | 2-5/8"-16 | 3/8" | | |

CHEVROLET & GMC G30, P30, G3500

| PART NO. | DESCRIPTION | REPLACES | ACROSS FLATS | THREAD SIZE | THICKNESS | O.D. | I.D. |
|---|-------------|--------------|--------------|-------------|-----------|--------|------|
|  R004879 | Washer | E4879, L2622 | | | 1/8" | 2-1/4" | 7/8" |
|  R004865 | Spindle Nut | E4865, L2621 | 1-1/4" | 27/32"-20 | 9/16" | | |

11

FORD 6,000 LB. FRONT AXLE

| PART NO. | DESCRIPTION | REPLACES | THICKNESS | O.D. | I.D. |
|---|-------------|--------------|-----------|------|--------|
|  R004869 | Washer | E4869, L2615 | 3/16" | 3" | 1-1/2" |

MACK FRONT AXLES

| PART NO. | DESCRIPTION | REPLACES | ACROSS FLATS | THREAD SIZE | THICKNESS |
|---|-------------|---------------------|--------------|-------------|-----------|
|  R003501 | Spindle Nut | 12453, E3501, M2573 | 2-5/8" | 1-5/8"-12 | 3/8" |

STEERING AXLE SPINDLE HARDWARE

For Light, Medium and Heavy Duty Trucks

NAVISTAR 02109 (DANA FA109) 9,000 LBS.
 NAVISTAR 02139 (DANA FA139) 12,000 LBS.
 NAVISTAR 02309 (DANA I-90) 9,000 LBS.
 NAVISTAR 02329 (DANA I-108) 10,800 LBS.



| PART NO. | DESCRIPTION | REPLACES | ACROSS FLATS | THREAD SIZE | THICKNESS | O.D. | I.D. |
|----------|-----------------|----------------------------|--------------|-------------|-----------|---------|---------|
| R004871 | Lockwasher | E4871, L2593, L2594, M3288 | | | 3/32" | 3-7/16" | 2-3/32" |
| R006138 | Washer | E6138, L3210, M3298 | | | 1/4" | 3-3/4" | 2-3/32" |
| R004855 | Inner-Outer Nut | E4855, L2592 | 2-7/8" | 2-1/16"-16 | 3/8" | | |

NAVISTAR 02109 (DANA FA109) 9,000 LBS.
 NAVISTAR 02139 (DANA FA139) 12,000 LBS.
 NAVISTAR 02309 (DANA I-90) 9,000 LBS.
 NAVISTAR 02329 (DANA I-108) 10,800 LBS.



| PART NO. | DESCRIPTION | REPLACES | ACROSS FLATS | THREAD SIZE | THICKNESS | O.D. | I.D. |
|----------|-----------------|----------------------------|--------------|-------------|-----------|---------|---------|
| R004871 | Lockwasher | E4871, L2593, L2594, M3288 | | | 3/32" | 3-7/16" | 2-3/32" |
| R004855 | Inner-Outer Nut | E4855, L2592 | 2-7/8" | 2-1/16"-16 | 3/8" | | |

STEERING AXLE SPINDLE HARDWARE

For Light, Medium and Heavy Duty Trucks

NAVISTAR FA70, FA89, FA91, FA98



| PART NO. | DESCRIPTION | REPLACES | ACROSS FLATS | THREAD SIZE | THICKNESS | O.D. | I.D. |
|----------|-------------|----------|--------------|-------------|-----------|------|------|
|----------|-------------|----------|--------------|-------------|-----------|------|------|

| | | | | | | | |
|---------|--------|--------------|--|--|-------|--------|--------|
| R004868 | Washer | E4868, L2589 | | | 5/32" | 2-5/8" | 1-1/8" |
|---------|--------|--------------|--|--|-------|--------|--------|

MERITOR FD-900, FD-901, FE-900, FF-901, FF931 AXLES



| PART NO. | DESCRIPTION | REPLACES | ACROSS FLATS | THREAD SIZE | THICKNESS | O.D. | I.D. |
|----------|-------------|----------|--------------|-------------|-----------|------|------|
|----------|-------------|----------|--------------|-------------|-----------|------|------|

| | | | | | | | |
|---------|--------|--|--|--|-------|----|----------|
| R002298 | Washer | 12425, 42208, 66144, E2298, L1332, M1957 | | | 3/64" | 3" | 1-33/64" |
|---------|--------|--|--|--|-------|----|----------|



| | | | | | | | |
|---------|------------|--|--|--|-------|--------|----------|
| R002297 | Lockwasher | 12424, 42207, 66143, E2297, L1333, M1958 | | | 3/16" | 2-3/4" | 1-17/32" |
|---------|------------|--|--|--|-------|--------|----------|



| | | | | | | | |
|---------|-----------|--|--------|-----------|-------|--|--|
| R002296 | Outer Nut | 12426, 42206, 66145, E2296, L1331, M1956 | 2-1/4" | 1-1/2"-12 | 7/16" | | |
|---------|-----------|--|--------|-----------|-------|--|--|



| | | | | | | | |
|---------|-----------|-----------------------------------|--------|-----------|------|--|--|
| R002299 | Inner Nut | 12423, 42205, E2299, L1334, M1959 | 2-5/8" | 1-1/2"-12 | 3/8" | | |
|---------|-----------|-----------------------------------|--------|-----------|------|--|--|

11

MERITOR FE-970 AND "E" SERIES DRIVE AXLES



| PART NO. | DESCRIPTION | REPLACES | ACROSS FLATS | THREAD SIZE | THICKNESS | O.D. | I.D. |
|----------|-------------|----------|--------------|-------------|-----------|------|------|
|----------|-------------|----------|--------------|-------------|-----------|------|------|

| | | | | | | | |
|---------|-----------|--|--|--|-------|---------|--------|
| R002301 | Lock Ring | 12428, 42210, 66155, E2301, L1336, M1961 | | | 1/16" | 3-5/16" | 2-1/4" |
|---------|-----------|--|--|--|-------|---------|--------|



| | | | | | | | |
|---------|-------------|--|--|--|------|---------|--------|
| R002302 | Flat Washer | | | | 1/4" | 4-5/16" | 2-1/4" |
|---------|-------------|--|--|--|------|---------|--------|



| | | | | | | | |
|---------|-----|--|--------|-----------|-------|--|--|
| R002300 | Nut | | 2-7/8" | 2-1/4"-16 | 5/16" | | |
|---------|-----|--|--------|-----------|-------|--|--|

STEERING AXLE SPINDLE HARDWARE

For Light, Medium and Heavy Duty Trucks

MERITOR FG-900 AXLE



| PART NO. | DESCRIPTION | REPLACES | ACROSS FLATS | THREAD SIZE | THICKNESS | O.D. | I.D. |
|----------|-------------|----------|--------------|-------------|-----------|---------|----------|
| R002659 | Flat Washer | E2659 | | | 1/32" | 3-1/4" | 1-25/32" |
| R002660 | Lock Ring | E2660 | | | 7/32" | 3-1/4" | 1-25/32" |
| R003510 | Inner Nut | | | 1-3/4"-12 | 1/2" | 3-5/16" | |
| R002658 | Nut | | 2-1/2" | 1-3/4"-12 | 11/16" | | |

MERITOR 16,000 LB. AXLE



| PART NO. | DESCRIPTION | REPLACES | ACROSS FLATS | THREAD SIZE | THICKNESS | O.D. | I.D. |
|-------------|-------------------|----------|--------------|-------------|-----------|--------|----------|
| R002659 | Flat Washer | E2659 | | | 1/32" | 3-1/4" | 1-25/32" |
| R002660 | Lock Ring | E2660 | | | 7/32" | 3-1/4" | 1-25/32" |
| R002658 | Nut | | 2-1/2" | 1-3/4"-12 | 11/16" | | |
| 1227-S-1527 | Wheel Bearing Nut | | 3-7/8" | 1-3/4"-12 | 1/2" | | |

STEERING AXLE SPINDLE HARDWARE

For Light, Medium and Heavy Duty Trucks

MERITOR FH-901, FL-901, FL-931 AXLES



| PART NO. | DESCRIPTION | REPLACES | ACROSS FLATS | THREAD SIZE | THICKNESS | O.D. | I.D. |
|-------------|-------------------|----------|--------------|-------------|-----------|--------|----------|
| R002659 | Flat Washer | E2659 | | | 1/32" | 3-1/4" | 1-25/32" |
| R002660 | Lock Ring | E2660 | | | 7/32" | 3-1/4" | 1-25/32" |
| R002663 | Flat Washer | | | | 1/4" | 4-1/8" | 1-25/32" |
| R002658 | Nut | | 2-1/2" | 1-3/4"-12 | 11/16" | | |
| 1227-S-1527 | Wheel Bearing Nut | | 3-7/8" | 1-3/4"-12 | 1/2" | | |

DRIVE AXLE SPINDLE HARDWARE

For Light, Medium and Heavy Duty Trucks

CHEVROLET & GMC T150 & T170



| PART NO. | DESCRIPTION | REPLACES | THICKNESS | O.D. | I.D. |
|----------|-------------|--------------|-----------|--------|--------|
| R004876 | Lockwasher | E4876, L2602 | 3/8" | 3-7/8" | 2-1/2" |

EATON 32M-MR, -34M, -MF, 34D-DT-RT, 17800-17801 SERIES AXLES



| PART NO. | DESCRIPTION | REPLACES | ACROSS FLATS | THREAD SIZE | THICKNESS | O.D. | I.D. |
|----------|-------------|---|--------------|-------------|-----------|------|--------|
| R002461 | Lockwasher | 06471, 12435, 30714, 42228, E2461, L1360, M1985 | | | 1/8" | 4" | 2-5/8" |
| R002462 | Outer Nut | 12434, 19186, 42226, 42227, E2462, L1361, M1986 | 3-7/16" | 2-5/8"-12 | 15/32" | | |

EATON 38R3, RP-RT, 42R3-RP-RT, 18800, 18801-02-03 SERIES AXLES



| PART NO. | DESCRIPTION | REPLACES | ACROSS FLATS | THREAD SIZE | THICKNESS | O.D. | I.D. |
|----------|-------------|---|--------------|-------------|-----------|--------|------|
| R002464 | Lockwasher | 12438, 42231, 90180, E2464, L1363, M1988 | | | 1/8" | 4-1/2" | 3" |
| R002465 | Spindle Nut | 120622, 12437, 90229, E2465, L1364, M1989 | 3-13/16" | 3"-12 | 3/8" | | |
| R002463 | Spindle Nut | 121353, 12439, 31926, E2463, L1362, M1987 | 3-13/16" | 3"-12 | 1" | | |

EATON 32M-MR, -34M, -MF, 34D-DT-RT, 17800-17801 SERIES AXLES



| PART NO. | DESCRIPTION | REPLACES | ACROSS FLATS | THREAD SIZE | THICKNESS | O.D. | I.D. |
|----------|-------------|--|--------------|-------------|-----------|--------|--------|
| R002467 | Lockwasher | 11245, 12441, 42234, E2467, L1366, M1991 | | | 1/8" | 4-3/4" | 3-1/4" |
| R002468 | Inner Nut | 11249, 12440, 42233, E2468, L1367, M1992 | 4-1/8" | 3-1/4"-12 | 1/2" | | |

DRIVE AXLE SPINDLE HARDWARE

For Light, Medium and Heavy Duty Trucks

FORD 15,000 LB. REAR AXLE



| PART NO. | DESCRIPTION | REPLACES | ACROSS FLATS | THREAD SIZE | THICKNESS | O.D. | I.D. |
|----------|-------------|--------------|--------------|-------------|-----------|------|------|
| R004878 | Lockwasher | E4878 | | | 1/16" | 3" | 2" |
| R004862 | Spindle Nut | E4862, L2616 | 2-9/16" | 2"-16 | 5/16" | | |
| R004863 | Outer Nut | E4863, L2618 | 2-9/16" | 2"-16 | 2-1/32" | | |

FORD 18,000 LB. REAR AXLE



| PART NO. | DESCRIPTION | REPLACES | ACROSS FLATS | THREAD SIZE | THICKNESS | O.D. | I.D. |
|----------|-------------|--|--------------|-------------|-----------|----------|----------|
| R002461 | Lockwasher | 06471, 12435, 30714, 42228, E2461, L1360, M1985 | | | 1/8" | 4" | 2-5/8" |
| R000573 | Lockwasher | 10287, 105107, 12392, 42195, 5300, 66115, 820396, E573, F1531, F942, L177, M10HN100, M2567, M683 | | | 1/4" | 3-15/16" | 2-41/64" |
| R006142 | Nut | | 3-1/2" | 2-5/8"-12 | 3/8" | | |

11

MACK 50,000 LB.



| PART NO. | DESCRIPTION | REPLACES | ACROSS FLATS | THREAD SIZE | THICKNESS | O.D. | I.D. |
|----------|-------------|--|--------------|-------------|-----------|----------|---------|
| R002304 | Lockwasher | 119882, 12418, 42224, 66225, E2304, L1354, M1979 | | | 7/32" | 4-11/32" | 3-9/32" |
| R002303 | Inner Nut | 119883, 12417, 42222, 66224, E2303, L1355, M1980 | 4" | 3-1/4"-12 | 3/8" | | |

DRIVE AXLE SPINDLE HARDWARE

For Light, Medium and Heavy Duty Trucks

MACK 50,000 LB.



| PART NO. | DESCRIPTION | REPLACES | ACROSS FLATS | THREAD SIZE | THICKNESS | O.D. | I.D. |
|----------|-------------|--|--------------|-------------|-----------|------|------|
| R002305 | Outer Nut | 119881, 12419, 42223, 66226, E2305, L1353, M1978 | 4" | 3-1/4"-12 | 3/8" | | |

MACK SW-56C SERIES AXLE



| PART NO. | DESCRIPTION | REPLACES | ACROSS FLATS | THREAD SIZE | THICKNESS | O.D. | I.D. |
|----------|-------------|----------------------------|--------------|-------------|-----------|---------|----------|
| R003505 | Washer | 12444, E3505, L2375, M1998 | | | 5/32" | 4-7/16" | 2-57/64" |



| | | | | | | | |
|---------|--------|-------|--|--|------|--------|--------|
| R006144 | Washer | E6144 | | | 1/4" | 4-1/8" | 3-1/4" |
|---------|--------|-------|--|--|------|--------|--------|



| | | | | | | | |
|---------|-------------|----------------------------|--------|-----------|------|--|--|
| R003504 | Spindle Nut | 12443, E3504, L2376, M1999 | 4-1/8" | 2-7/8"-12 | 3/8" | | |
|---------|-------------|----------------------------|--------|-----------|------|--|--|



| | | | | | | | |
|---------|-------------|----------------------------|--------|-----------|------|--|--|
| R003506 | Spindle Nut | 12445, E3506, L2378, M1997 | 4-1/8" | 2-7/8"-12 | 3/8" | | |
|---------|-------------|----------------------------|--------|-----------|------|--|--|

MACK SW-57C SERIES AXLES



| PART NO. | DESCRIPTION | REPLACES | ACROSS FLATS | THREAD SIZE | THICKNESS | O.D. | I.D. |
|----------|-------------|----------------------------|--------------|-------------|-----------|---------|----------|
| R003508 | Washer | 12451, E3508, L2373, M2202 | | | 1/4" | 4-7/16" | 2-61/64" |



| | | | | | | | |
|---------|-------------|----------------------------|--------|-------------|------|--|--|
| R003507 | Spindle Nut | 12450, E3507, L2374, M2203 | 4-1/8" | 2-15/16"-12 | 3/8" | | |
|---------|-------------|----------------------------|--------|-------------|------|--|--|



| | | | | | | | |
|---------|-------------|----------------------------|--------|-------------|------|--|--|
| R003509 | Spindle Nut | 12452, E3509, L2377, M2201 | 4-1/8" | 2-15/16"-12 | 3/8" | | |
|---------|-------------|----------------------------|--------|-------------|------|--|--|

DRIVE AXLE SPINDLE HARDWARE

For Light, Medium and Heavy Duty Trucks

NAVISTAR 14039 (INTERNATIONAL/DANA F170S) 17,000 LBS.
 NAVISTAR 14042 (INTERNATIONAL/DANA J175S) 17,500 LBS.
 NAVISTAR 14199 (EATON 16244) 17,500 LBS.
 NAVISTAR 14341 (INTERNATIONAL/DANA RA341) 30,000 LBS.



| PART NO. | DESCRIPTION | REPLACES | ACROSS FLATS | THREAD SIZE | THICKNESS | O.D. | I.D. |
|----------|-----------------|---------------------|--------------|-------------|-----------|--------|----------|
| R004881 | Lockwasher | E4881, L2600, M3291 | | | 1/8" | 3-3/4" | 2-17/32" |
| R004857 | Inner-Outer Nut | E4857, L2599, M3296 | 3-1/4" | 2-1/2"-12 | 11/32" | | |

NAVISTAR 14044 (INTERNATIONAL/DANA J190S) 19,000 LBS.
 NAVISTAR 14186 (EATON 17202/22) 19,000 LBS.
 NAVISTAR 14351 (INTERNATIONAL/DANA G340S) 34,000 LBS.



| PART NO. | DESCRIPTION | REPLACES | ACROSS FLATS | THREAD SIZE | THICKNESS | O.D. | I.D. |
|----------|-------------|---|--------------|-------------|-----------|---------|--------|
| R004877 | Lockwasher | E4877, L2604 | | | 1/8" | 4-1/16" | 2-5/8" |
| R002462 | Outer Nut | 12434, 19186, 42226, 42227, E2462, L1361, M1986 | 3-7/16" | 2-5/8"-12 | 15/32" | | |

11

NAVISTAR 14308 (EATON DS402P) 40,000 LBS.
 NAVISTAR 14309 (EATON RT402) 40,000 LBS.
 NAVISTAR 14342, 14464 (EATON DT401P) 40,000 LBS.
 NAVISTAR 14311 (EATON RS460/461) 46,000 LBS.
 NAVISTAR 14364 (EATON RS401) 40,000 LBS.
 NAVISTAR 14493 (EATON RS341) 34,000 LBS.
 NAVISTAR 14494 (EATON RS381/402) 38,000 LBS.
 NAVISTAR 14277 (MERITOR U240) 29,000 LBS.
 NAVISTAR 14348 (MERITOR SQHD) 38,000 LBS.
 NAVISTAR 14338, 14336 (MERITOR SRDD) 44,000 LBS.
 NAVISTAR 14368 (MERITOR STDD) 50,000 LBS.



| PART NO. | DESCRIPTION | REPLACES | ACROSS FLATS | THREAD SIZE | THICKNESS | O.D. | I.D. |
|------------|-------------------|---------------------|--------------|-------------|-----------|--------|--------|
| R006141 | Lockwasher | E6141, L3212, M3393 | | | 1/8" | 4-3/4" | 3-1/4" |
| 1227-V-464 | Wheel Bearing Nut | E6140, L3211, M3390 | 4-1/8" | 3-1/4"-12 | 3/8" | | |

DRIVE AXLE SPINDLE HARDWARE

For Light, Medium and Heavy Duty Trucks

MERITOR "F" SERIES AXLES



| PART NO. | DESCRIPTION | REPLACES | ACROSS FLATS | THREAD SIZE | THICKNESS | O.D. | I.D. |
|----------|-------------|----------|--------------|-------------|-----------|--------|--------|
| R002418 | Lockwasher | M1970 | | | 5/32" | 3-3/4" | 2-1/2" |
| R002419 | Nut | M1969 | 3-1/2" | 2-1/2"-16 | 5/16" | | |
| R002417 | Nut | M1971 | 3-1/2" | 2-1/2"-16 | 5/16" | | |

MERITOR "H" SERIES AXLES



| PART NO. | DESCRIPTION | REPLACES | ACROSS FLATS | THREAD SIZE | THICKNESS | O.D. | I.D. |
|-------------|-------------|---|--------------|-------------|-----------|---------|--------|
| 1229-J-4638 | Lock Washer | | | | 3/64" | 4-3/16" | 2-5/8" |
| 1229-G-1021 | Lockwasher | 12412, 38095, 42218, 66197, E2421, L1348, M1973 | | | 3/16" | 3-3/4" | 2-5/8" |

MERITOR "H" SERIES AXLES



| PART NO. | DESCRIPTION | ACROSS FLATS | THREAD SIZE | THICKNESS |
|----------|-------------|--------------|-------------|-----------|
| R002422 | Nut | 3-1/2" | 2-5/8"-16 | 5/16" |

DRIVE AXLE SPINDLE HARDWARE

For Light, Medium and Heavy Duty Trucks

MERITOR SPECIAL "H" SERIES AXLES H-145, H-162, H-172, H-240, H-262, H-362, H-350



| PART NO. | DESCRIPTION | REPLACES | ACROSS FLATS | THREAD SIZE | THICKNESS | O.D. | I.D. |
|-------------|-------------|---|--------------|-------------|-----------|---------|--------|
| 1229-J-4638 | Lock Washer | | | | 3/64" | 4-3/16" | 2-5/8" |
| 1229-G-1021 | Lockwasher | 12412, 38095, 42218, 66197, E2421, L1348, M1973 | | | 3/16" | 3-3/4" | 2-5/8" |
| R002462 | Outer Nut | 12434, 19186, 42226, 42227, E2462, L1361, M1986 | 3-7/16" | 2-5/8"-12 | 15/32" | | |
| R006142 | Nut | | 3-1/2" | 2-5/8"-12 | 3/8" | | |

MERITOR "L" SERIES AXLES



| PART NO. | DESCRIPTION | REPLACES | ACROSS FLATS | THREAD SIZE | THICKNESS | O.D. | I.D. |
|----------|-------------|-----------------------------------|--------------|-------------|-----------|--------|------|
| R002424 | Lockwasher | 12415, 38098, 42221, L1351, M1976 | | | 3/8" | 4-1/4" | 3" |
| R002423 | Nut | | 4" | 3"-12 | 3/8" | | |
| R002425 | Nut | | 4" | 3"-12 | 3/8" | | |

11

MERITOR "Q" & "R" SERIES AXLES FOR SQHD & R170 DRIVE AXLES



| PART NO. | DESCRIPTION | REPLACES | ACROSS FLATS | THREAD SIZE | THICKNESS | O.D. | I.D. |
|----------|-------------|--|--------------|-------------|-----------|----------|---------|
| R002304 | Lockwasher | 119882, 12418, 42224, 66225, E2304, L1354, M1979 | | | 7/32" | 4-11/32" | 3-9/32" |
| R002303 | Inner Nut | 119883, 12417, 42222, 66224, E2303, L1355, M1980 | 4" | 3-1/4"-12 | 3/8" | | |
| R002305 | Outer Nut | 119881, 12419, 42223, 66226, E2305, L1353, M1978 | 4" | 3-1/4"-12 | 3/8" | | |

ASSORTMENT & DISPLAY BOARDS

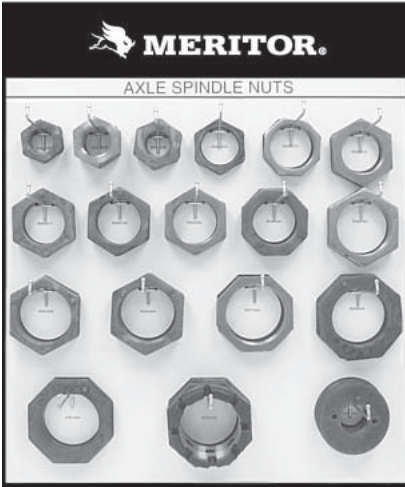
SPINDLE NUT ASSORTMENT

MERITOR R992004

SPINDLE NUTS

WITH **FREE** DISPLAY BOARD

Features Meritor's most popular Spindle Nuts for medium and heavy-duty trucks
Included with Display Board:



BOARD SIZE: 24" WIDE x 28 1/2" HIGH

| QTY. | PART NO. | DESCRIPTION | QTY. | PART NO. | DESCRIPTION |
|------|----------|---------------|------|-------------|-------------|
| 1 | R992003 | Display Board | 2 | R000540 | Nut |
| 2 | R002296 | Nut | 2 | R002305 | Nut |
| 2 | R002658 | Nut | 2 | R002303 | Nut |
| 2 | R002299 | Nut | 2 | R007666 | Nut |
| 2 | R002300 | Nut | 2 | R002468 | Nut |
| 2 | R000572 | Nut | 2 | R002426 | Nut |
| 2 | R002419 | Nut | 2 | R007664 | Nut |
| 2 | R002417 | Nut | 2 | R002550 | Nut |
| 2 | R006142 | Nut | 2 | 1227-S-1527 | Nut |
| 2 | R002462 | Nut | | | |

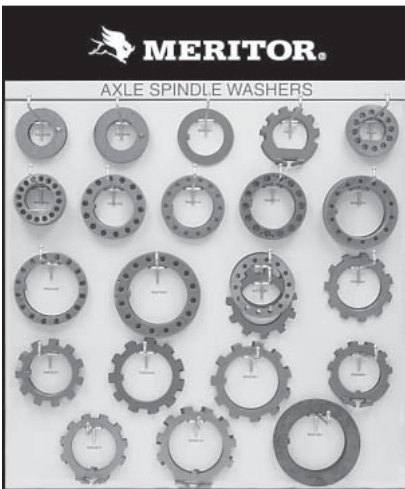
SPINDLE WASHER ASSORTMENT

MERITOR R992002

SPINDLE WASHERS

WITH **FREE** DISPLAY BOARD

Features Meritor's most popular Spindle Washers for medium and heavy-duty trucks
Included with Display Board:



BOARD SIZE: 24" WIDE x 28 1/2" HIGH

| QTY. | PART NO. | DESCRIPTION | QTY. | PART NO. | DESCRIPTION |
|------|----------|---------------|------|----------|-------------|
| 1 | R992001 | Display Board | 2 | R002304 | Washer |
| 2 | R002298 | Washer | 2 | R007665 | Washer |
| 2 | R002659 | Washer | 2 | KIT2761 | Washer |
| 2 | R002301 | Washer | 2 | R002461 | Washer |
| 2 | R004871 | Washer | 2 | R002237 | Washer |
| 2 | R002297 | Washer | 2 | R002464 | Washer |
| 2 | R002660 | Washer | 2 | R002467 | Washer |
| 2 | R001252 | Washer | 2 | R004881 | Washer |
| 2 | R002418 | Washer | 2 | R004877 | Washer |
| 2 | R000573 | Washer | 2 | R006141 | Washer |
| 2 | R002424 | Washer | 2 | R001561 | Washer |

DRIVE AXLE FLANGE GASKETS



| PART NO. | REPLACES | O.D. | I.D. | BOLT CIRCLE | HOLE SIZE | NO. OF HOLES |
|----------------|---|---------|----------|-------------|-----------|--------------|
| R002437 | 14569, 7278, 733113, E2437, L1503, L1505, M2531 | 6-1/8" | 4-1/4" | 5-1/4" | 9/16" | 12 |
| R002433 | 7277, 733115, E2433, L1504, M2532 | 6-3/16" | 4-9/16" | 5-5/16" | 9/16" | 8 |
| R002438 | 7279, E2438, L1506, M2533 | 6-3/8" | 5" | 5-11/16" | 15/32" | 12 |
| R002436 | 7276, E2436, L1507 | 6-5/8" | 4-1/2" | 5-1/2" | 11/16" | 8 |
| R002434 | 7283, E2434, L1791 | 7-3/8" | 5-3/8" | 6-3/8" | 19/32" | 8 |
| R002340 | 7280, E2340, L1508, M2535 | 7-7/16" | 5-11/16" | 6-1/2" | 17/32" | 12 |
| R002341 | 7281, E2341 | 8-1/4" | 6" | 7" | 5/8" | 8 |
| R002435 | E2435, L1509, L1510, M2536, M2537 | 8-3/8" | 5-3/4" | 7" | 21/32" | 8 |
| R002431 | 6823, 7284, E2431, L1511, M2534 | 8-1/2" | 5-5/8" | 7" | 13/16" | 8 |
| R007118 | E10238, L3382 | 8-1/2" | 6-7/16" | 7-7/16" | 11/16" | 6 |

HUB CAP & O-RING



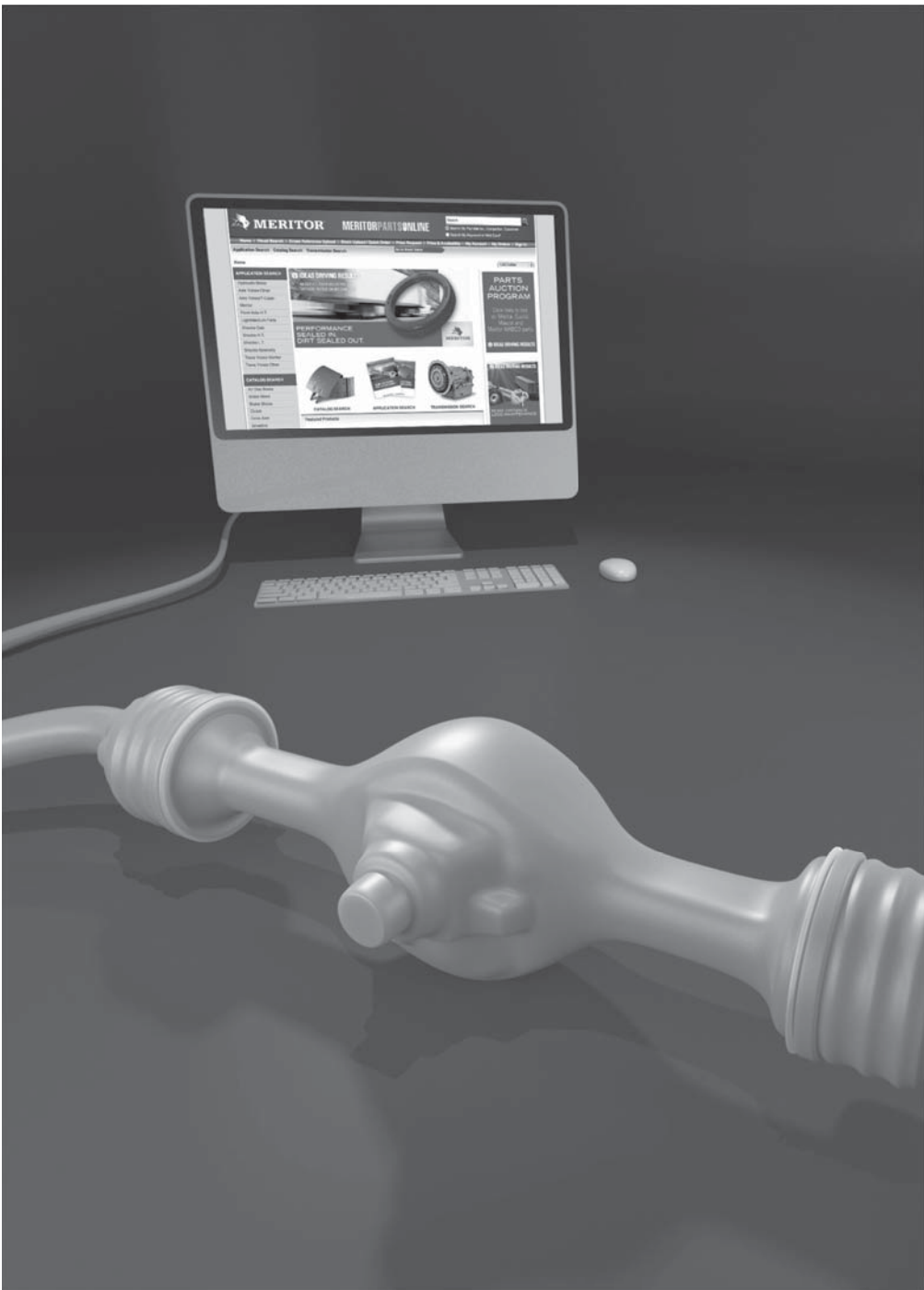
| PART NO. | REPLACES | THREAD | COMMENTS |
|----------|----------|--------|----------|
|----------|----------|--------|----------|

| | | | |
|----------------|---|----------|---|
| R004075 | 8295, 9013, E04075, H075, L885, M1052, M10HK162 | 6-1/4"-8 | Includes Hub Cap, O-Ring and Filler Plug. |
|----------------|---|----------|---|



| PART NO. | REPLACES | I.D. | O.D. |
|----------|----------|------|------|
|----------|----------|------|------|

| | | | |
|----------------|----------------------------------|--------|----|
| R005500 | 8296, 9014, E05500, L1700, M1065 | 5-1/2" | 6" |
|----------------|----------------------------------|--------|----|



MERITOR WABCO
Safety Strong. Efficiency Smart.

Mascot
Truck Parts
a **MERITOR** brand

EUCLID

MERITORPARTSONLINE.COM

Your 24/7/365 access to Meritor®, Euclid, Mascot and Meritor WABCO parts ordering, plus real-time pricing, parts comparisons and in-depth technical information.

©2013 Meritor, Inc. meritor.com



MERITOR

CROSS REFERENCE

| PART# | COMPETITOR | MERITOR# | PART# | COMPETITOR | MERITOR# |
|-------|--------------|-----------------|-------|--------------|-------------|
| 1008 | Dayton Parts | A19-3222-D-2006 | 1204 | Dayton Parts | 2247-X-128 |
| 1008 | Dayton Parts | A-3222-D-2006 | 1217 | Dayton Parts | R517006 |
| 1014 | Dayton Parts | R700020 | 1223 | Dayton Parts | R517003 |
| 1015 | Dayton Parts | R700019 | 1227 | Dayton Parts | R517002 |
| 1046 | Dayton Parts | R700321 | 1234 | Dayton Parts | 2297-T-7222 |
| 1047 | Dayton Parts | R700322 | 1236 | Dayton Parts | 1199-U-3765 |
| 1050 | Dayton Parts | R700381 | 1237 | Dayton Parts | 1199-G-3725 |
| 1051 | Dayton Parts | R700383 | 1238 | Dayton Parts | 2297-C-5021 |
| 1052 | Dayton Parts | R700400 | 1244 | Dayton Parts | R517001 |
| 1053 | Dayton Parts | R700401 | 1262 | Dayton Parts | R517509 |
| 1055 | Dayton Parts | R700427 | 1263 | Dayton Parts | R517506 |
| 1056 | Dayton Parts | R700442 | 1267 | Dayton Parts | R517508 |
| 1069 | Dayton Parts | R700455 | 1271 | Dayton Parts | 1246-F-1020 |
| 1070 | Dayton Parts | R700458 | 1300 | Dayton Parts | 1718-Y-103 |
| 1071 | Dayton Parts | R700458 | 1301 | Dayton Parts | 1229-T-3166 |
| 1075 | Dayton Parts | A-3222-P-1082 | 1305 | Dayton Parts | R547011 |
| 1077 | Dayton Parts | A-3222-F-1982 | 1310 | Dayton Parts | R527001 |
| 1077 | Dayton Parts | R1308Q | 1311 | Dayton Parts | R527002 |
| 1078 | Dayton Parts | R700013 | 1313 | Dayton Parts | 3105-B-210 |
| 1079 | Dayton Parts | R700014 | 1314 | Dayton Parts | 1218-C-107 |
| 1085 | Dayton Parts | R700001 | 1317 | Dayton Parts | 2210-D-7492 |
| 1087 | Dayton Parts | A-3222-V-2466 | 1318 | Dayton Parts | R577001 |
| 1096 | Dayton Parts | A-3722-D-82 | 1320 | Dayton Parts | 1218-G-85 |
| 1098 | Dayton Parts | A-3222-L-1572 | 1321 | Dayton Parts | 2258-P-354 |
| 1100 | Dayton Parts | A-3722-N-66 | 1322 | Dayton Parts | 2258-Z-416 |
| 1101 | Dayton Parts | A1-3222-R-1916 | 1323 | Dayton Parts | 2258-K-349 |
| 1102 | Dayton Parts | A-3722-N-66 | 1326 | Dayton Parts | R567011 |
| 1103 | Dayton Parts | A-3722-L-64 | 1331 | Dayton Parts | 2258-V-256 |
| 1104 | Dayton Parts | A-3722-B-80 | 1339 | Dayton Parts | 2258-V-256 |
| 1105 | Dayton Parts | A-3722-D-82 | 1341 | Dayton Parts | R567004 |
| 1106 | Dayton Parts | A-3722-L-64 | 1345 | Dayton Parts | R567003 |
| 1107 | Dayton Parts | A-3722-N-66 | 1346 | Dayton Parts | 2258-U-619 |
| 1108 | Dayton Parts | A-3222-L-1572 | 1348 | Dayton Parts | R567502 |
| 1109 | Dayton Parts | A-3222-R-1422 | 1349 | Dayton Parts | R567006 |
| 1111 | Dayton Parts | A-3222-N-1496 | 1350 | Dayton Parts | R567002 |
| 1112 | Dayton Parts | A-3222-A-1717 | 1354 | Dayton Parts | 2258-P-354 |
| 1117 | Dayton Parts | A-3222-A-1717 | 1357 | Dayton Parts | R567501 |
| 1120 | Dayton Parts | R700004 | 1358 | Dayton Parts | R567009 |
| 1121 | Dayton Parts | R704516 | 1359 | Dayton Parts | 2258-U-619 |
| 1124 | Dayton Parts | R704516 | 1364 | Dayton Parts | R567011 |
| 1127 | Dayton Parts | A-3222-J-1440 | 1367 | Dayton Parts | 2258-U-619 |
| 1128 | Dayton Parts | A91-3222-S-1293 | 1369 | Dayton Parts | 2258-U-619 |
| 1130 | Dayton Parts | A-3222-E-1383 | 1370 | Dayton Parts | 2258-Q-615 |
| 1131 | Dayton Parts | A-3222-C-1381 | 1371 | Dayton Parts | 2258-R-590 |
| 1132 | Dayton Parts | R4551Q | 1372 | Dayton Parts | 2258-S-643 |
| 1133 | Dayton Parts | A-3222-D-1356 | 1373 | Dayton Parts | 2258-G-579 |
| 1135 | Dayton Parts | A25-3222-D-1954 | 1374 | Dayton Parts | 2258-G-579 |
| 1142 | Dayton Parts | R700012 | 1375 | Dayton Parts | 2258-Y-1273 |
| 1169 | Dayton Parts | R700007 | 1378 | Dayton Parts | 2258-B-704 |
| 1170 | Dayton Parts | R700011 | 1379 | Dayton Parts | 2258-W-803 |
| 1173 | Dayton Parts | R700002 | 1384 | Dayton Parts | R507082 |
| 1174 | Dayton Parts | R700003 | 1385 | Dayton Parts | R507082 |
| 1176 | Dayton Parts | R704591 | 1391 | Dayton Parts | KIT-9020 |
| 1178 | Dayton Parts | R700011 | 1396 | Dayton Parts | KIT-8020 |
| 1186 | Dayton Parts | R700008 | 1401 | Dayton Parts | 1259-M-1131 |
| 1191 | Dayton Parts | R4311 | 1417 | Dayton Parts | R537001 |
| 1194 | Dayton Parts | A-3222-K-1103 | 1424 | Dayton Parts | 1259-R-252 |
| 1195 | Dayton Parts | A-3222-F-1072 | 1432 | Dayton Parts | R537003 |
| 1200 | Dayton Parts | 2297-T-7222 | 1434 | Dayton Parts | 1259-N-274 |
| 1201 | Dayton Parts | 1779-C-81 | 1437 | Dayton Parts | 1259-B-262 |
| 1202 | Dayton Parts | 1779-D-82 | 1440 | Dayton Parts | 1259-Q-251 |

CROSS REFERENCE

| PART# | COMPETITOR | MERITOR# | PART# | COMPETITOR | MERITOR# |
|-------|--------------|---------------|-------|--------------|----------------|
| 1443 | Dayton Parts | 1259-M-1131 | 2515 | Dayton Parts | R009095 |
| 1448 | Dayton Parts | R537005 | 3114 | Dayton Parts | R630003 |
| 1451 | Dayton Parts | 1259-X-1012 | 3115 | Dayton Parts | R630002 |
| 1452 | Dayton Parts | 1259-V-308 | 3201 | Dayton Parts | R617001 |
| 1460 | Dayton Parts | 5-X-640 | 3202 | Dayton Parts | R627009 |
| 1462 | Dayton Parts | 1205-K-193 | 3203 | Dayton Parts | R627022 |
| 1462 | Dayton Parts | A-1205-S-1943 | 3205 | Dayton Parts | A2-3105-G-1151 |
| 1470 | Dayton Parts | 1205-K-193 | 3206 | Dayton Parts | R617007 |
| 1472 | Dayton Parts | 1229-B-1848 | 3207 | Dayton Parts | R617009 |
| 1472 | Dayton Parts | 1229-G-2971 | 3208 | Dayton Parts | R617002 |
| 1475 | Dayton Parts | 1229-V-1556 | 3209 | Dayton Parts | A2-3105-G-1151 |
| 1476 | Dayton Parts | R004961A | 3210 | Dayton Parts | R617008 |
| 1477 | Dayton Parts | 1229-V-1504 | 3212 | Dayton Parts | 1225-R-1058 |
| 1482 | Dayton Parts | 1229-X-1116 | 3213 | Dayton Parts | 1205-X-726 |
| 1487 | Dayton Parts | 1229-B-2498 | 3214 | Dayton Parts | R617006 |
| 1490 | Dayton Parts | S266D | 3232 | Dayton Parts | R607067 |
| 1492 | Dayton Parts | 1229-D-2942 | 3268 | Dayton Parts | R630006 |
| 1496 | Dayton Parts | R547005 | 3273 | Dayton Parts | R630006 |
| 1500 | Dayton Parts | 1225-F-266 | 4002 | Dayton Parts | R607222 |
| 1509 | Dayton Parts | 1225-F-266 | 4003 | Dayton Parts | R607221 |
| 2139 | Spicer | R002518A | 4004 | Dayton Parts | R607170 |
| 2200 | Dayton Parts | R000943 | 4005 | Dayton Parts | R607169 |
| 2201 | Dayton Parts | R000943 | 4006 | Dayton Parts | R607190 |
| 2203 | Dayton Parts | R617003 | 4007 | Dayton Parts | R607189 |
| 2204 | Dayton Parts | R657001 | 4008 | Dayton Parts | R607172 |
| 2205 | Dayton Parts | 1225-U-151 | 4009 | Dayton Parts | R607171 |
| 2206 | Dayton Parts | 1225-R-512 | 4014 | Dayton Parts | R607134 |
| 2210 | Dayton Parts | 1225-L-1208 | 4015 | Dayton Parts | R607133 |
| 2213 | Dayton Parts | R617001 | 4017 | Dayton Parts | R607143 |
| 2219 | Dayton Parts | 1225-B-496 | 4018 | Dayton Parts | R607138 |
| 2220 | Dayton Parts | R657003 | 4019 | Dayton Parts | R607137 |
| 2224 | Dayton Parts | R617005 | 4024 | Dayton Parts | R607136 |
| 2225 | Dayton Parts | R627029 | 4025 | Dayton Parts | R607135 |
| 2232 | Dayton Parts | 1225-X-804 | 4030 | Dayton Parts | 2210-H-7626 |
| 2233 | Dayton Parts | 1225-M-897 | 4031 | Dayton Parts | 2210-J-7628 |
| 2240 | Dayton Parts | KIT-9034 | 4040 | Dayton Parts | 2210-T-7586 |
| 2241 | Dayton Parts | 1225-A-833 | 4041 | Dayton Parts | 2210-U-7587 |
| 2242 | Dayton Parts | 1225-B-834 | 4046 | Dayton Parts | 2210-V-7536 |
| 2244 | Dayton Parts | 1225-R-1136 | 4047 | Dayton Parts | 2210-W-7537 |
| 2246 | Dayton Parts | 1225-N-1158 | 4050 | Dayton Parts | 2210-H-7522 |
| 2256 | Dayton Parts | R627034 | 4051 | Dayton Parts | 2210-J-7524 |
| 2300 | Dayton Parts | A-1205-V-1556 | 4052 | Dayton Parts | 2210-P-7426 |
| 2304 | Dayton Parts | R627008 | 4053 | Dayton Parts | 2210-Q-7427 |
| 2306 | Dayton Parts | 1205-N-924 | 4054 | Dayton Parts | 2210-Z-7514 |
| 2309 | Dayton Parts | 1205-V-1452 | 4055 | Dayton Parts | 2210-A-7515 |
| 2310 | Dayton Parts | 1205-Q-2123 | 4056 | Dayton Parts | 2210-X-7408 |
| 2312 | Dayton Parts | 1205-M-1105 | 4057 | Dayton Parts | 2210-Y-7409 |
| 2312 | Dayton Parts | R627018 | 4058 | Dayton Parts | 2210-D-7492 |
| 2313 | Dayton Parts | R627015 | 4059 | Dayton Parts | 2210-E-7493 |
| 2314 | Dayton Parts | 1205-X-726 | 4064 | Dayton Parts | 2210-V-7536 |
| 2314 | Dayton Parts | 3780-A-131 | 4090 | Dayton Parts | 2210-D-6166 |
| 2315 | Dayton Parts | R627030 | 4091 | Dayton Parts | 2210-C-6165 |
| 2316 | Dayton Parts | A-1205-P-1602 | 4096 | Dayton Parts | R607110 |
| 2317 | Dayton Parts | R627026 | 4097 | Dayton Parts | R607109 |
| 2326 | Dayton Parts | 1205-G-761 | 4098 | Dayton Parts | R607108 |
| 2350 | Dayton Parts | 1229-J-868 | 4099 | Dayton Parts | R607107 |
| 2356 | Dayton Parts | A-1205-V-1556 | 4100 | Dayton Parts | R607041 |
| 2475 | Dayton Parts | S110162 | 4101 | Dayton Parts | 2210-D-6400 |
| 2507 | Dayton Parts | A1-3236A-1249 | 4101 | Dayton Parts | R607042 |
| 2508 | Dayton Parts | A1-3236A-1249 | 4102 | Dayton Parts | R607034 |
| 2514 | Dayton Parts | R009095 | 4103 | Dayton Parts | R607033 |

CROSS REFERENCE

| PART# | COMPETITOR | MERITOR# | PART# | COMPETITOR | MERITOR# |
|-------|--------------|-------------|-------|--------------|-------------|
| 4104 | Dayton Parts | R607002 | 4202 | Dayton Parts | R607025 |
| 4105 | Dayton Parts | R607001 | 4202 | Dayton Parts | R607026 |
| 4106 | Dayton Parts | R607055 | 4203 | Dayton Parts | R607026 |
| 4107 | Dayton Parts | R607056 | 4204 | Dayton Parts | R607045 |
| 4108 | Dayton Parts | 2210-H-2946 | 4205 | Dayton Parts | R607046 |
| 4109 | Dayton Parts | 2210-J-2948 | 4206 | Dayton Parts | R607047 |
| 4110 | Dayton Parts | 2210-Z-6318 | 4207 | Dayton Parts | R607048 |
| 4111 | Dayton Parts | 2210-A-6319 | 4216 | Dayton Parts | R607005 |
| 4116 | Dayton Parts | R607084 | 4217 | Dayton Parts | R607006 |
| 4117 | Dayton Parts | R607083 | 4218 | Dayton Parts | R607007 |
| 4118 | Dayton Parts | R607064 | 4219 | Dayton Parts | R607008 |
| 4119 | Dayton Parts | R607063 | 4220 | Dayton Parts | R607010 |
| 4120 | Dayton Parts | 2210-X-6316 | 4221 | Dayton Parts | R607009 |
| 4121 | Dayton Parts | 2210-Y-6317 | 4222 | Dayton Parts | R607003 |
| 4122 | Dayton Parts | R607094 | 4223 | Dayton Parts | R607004 |
| 4123 | Dayton Parts | R607093 | 4224 | Dayton Parts | R607244 |
| 4132 | Dayton Parts | R607031 | 4225 | Dayton Parts | R607243 |
| 4133 | Dayton Parts | R607032 | 4226 | Dayton Parts | R607242 |
| 4134 | Dayton Parts | R607194 | 4227 | Dayton Parts | R607241 |
| 4135 | Dayton Parts | R607193 | 4230 | Dayton Parts | R607093 |
| 4137 | Dayton Parts | R607040 | 4232 | Dayton Parts | R607067 |
| 4140 | Dayton Parts | R607090 | 4233 | Dayton Parts | R607068 |
| 4141 | Dayton Parts | R607089 | 4234 | Dayton Parts | R607069 |
| 4142 | Dayton Parts | R607087 | 4235 | Dayton Parts | R607070 |
| 4143 | Dayton Parts | R607088 | 4237 | Dayton Parts | R607239 |
| 4144 | Dayton Parts | R607073 | 4240 | Dayton Parts | R607023 |
| 4144 | Dayton Parts | R607073S | 4241 | Dayton Parts | R607024 |
| 4145 | Dayton Parts | R607074 | 4242 | Dayton Parts | R607081 |
| 4146 | Dayton Parts | R607075 | 4243 | Dayton Parts | R607082 |
| 4147 | Dayton Parts | R607076 | 4254 | Dayton Parts | R607050 |
| 4148 | Dayton Parts | R607098 | 4255 | Dayton Parts | R607049 |
| 4149 | Dayton Parts | R607097 | 4258 | Dayton Parts | R607148 |
| 4150 | Dayton Parts | R607071 | 4259 | Dayton Parts | R607147 |
| 4151 | Dayton Parts | R607072 | 4264 | Dayton Parts | R607016 |
| 4152 | Dayton Parts | R607091 | 4265 | Dayton Parts | R607015 |
| 4153 | Dayton Parts | R607092 | 4266 | Dayton Parts | R607035 |
| 4154 | Dayton Parts | 2210-G-5389 | 4267 | Dayton Parts | R607036 |
| 4155 | Dayton Parts | 2210-H-5390 | 4268 | Dayton Parts | R607029 |
| 4156 | Dayton Parts | R607017 | 4269 | Dayton Parts | R607030 |
| 4157 | Dayton Parts | R607018 | 4274 | Dayton Parts | R607038 |
| 4158 | Dayton Parts | R607095 | 4275 | Dayton Parts | R607037 |
| 4159 | Dayton Parts | R607096 | 4276 | Dayton Parts | R607150 |
| 4162 | Dayton Parts | 2210-M-5421 | 4277 | Dayton Parts | R607149 |
| 4163 | Dayton Parts | 2210-N-5422 | 4278 | Dayton Parts | R607012 |
| 4164 | Dayton Parts | R607078 | 4279 | Dayton Parts | R607011 |
| 4165 | Dayton Parts | R607077 | 4280 | Dayton Parts | R607020 |
| 4166 | Dayton Parts | R607079 | 4281 | Dayton Parts | R607019 |
| 4167 | Dayton Parts | R607080 | 4282 | Dayton Parts | R607164 |
| 4168 | Dayton Parts | 2210-E-5725 | 4283 | Dayton Parts | R607163 |
| 4169 | Dayton Parts | 2210-F-5726 | 4284 | Dayton Parts | R607161 |
| 4169 | Dayton Parts | R607028 | 4285 | Dayton Parts | R607162 |
| 4172 | Dayton Parts | R607073 | 4286 | Dayton Parts | R607264 |
| 4172 | Dayton Parts | R607073S | 4292 | Dayton Parts | 2210-Q-8155 |
| 4173 | Dayton Parts | R607074 | 4293 | Dayton Parts | 2210-R-8156 |
| 4174 | Dayton Parts | R607085 | 4294 | Dayton Parts | 2210-U-8159 |
| 4182 | Dayton Parts | 2210-Z-5408 | 4295 | Dayton Parts | 2210-V-8160 |
| 4187 | Dayton Parts | 2210-A-5409 | 4296 | Dayton Parts | 2210-S-8157 |
| 4192 | Dayton Parts | 2210-G-6845 | 4297 | Dayton Parts | 2210-T-8158 |
| 4193 | Dayton Parts | 2210-F-6844 | 4300 | Dayton Parts | 1229-G-1463 |
| 4198 | Dayton Parts | R607022 | 4301 | Dayton Parts | 1229-Q-771 |
| 4199 | Dayton Parts | R607021 | 4302 | Dayton Parts | 1229-R-122 |

CROSS REFERENCE

| PART# | COMPETITOR | MERITOR# | PART# | COMPETITOR | MERITOR# |
|--------------|-------------------|-----------------|--------------|-------------------|-----------------|
| 4303 | Dayton Parts | 1229-M-559 | 4578 | Dayton Parts | R607226 |
| 4304 | Dayton Parts | R627002 | 4579 | Dayton Parts | R607225 |
| 4307 | Dayton Parts | R627005 | 4580 | Dayton Parts | R607180 |
| 4308 | Dayton Parts | R627006 | 4581 | Dayton Parts | R607179 |
| 4309 | Dayton Parts | 1229-B-1848 | 4582 | Dayton Parts | R607182 |
| 4310 | Dayton Parts | 1229-Z-1118 | 4583 | Dayton Parts | R607181 |
| 4314 | Dayton Parts | R627014 | 4583 | Dayton Parts | R607182 |
| 4315 | Dayton Parts | R627017 | 4586 | Dayton Parts | R607198 |
| 4317 | Dayton Parts | R627014 | 4587 | Dayton Parts | R607197 |
| 4318 | Dayton Parts | 1229-Q-2851 | 4588 | Dayton Parts | R607184 |
| 4319 | Dayton Parts | R627012 | 4589 | Dayton Parts | R607183 |
| 4320 | Dayton Parts | 1229-X-3118 | 4606 | Dayton Parts | R607202 |
| 4321 | Dayton Parts | 1229-R-4100 | 4609 | Dayton Parts | R607266 |
| 4322 | Dayton Parts | 1229-S-2697 | 4610 | Dayton Parts | R607204 |
| 4327 | Dayton Parts | R627024 | 4611 | Dayton Parts | R607203 |
| 4328 | Dayton Parts | R627025 | 4615 | Dayton Parts | R607207 |
| 4329 | Dayton Parts | R627043 | 4618 | Dayton Parts | R607212 |
| 4333 | Dayton Parts | 1229-S-4101 | 4619 | Dayton Parts | R607211 |
| 4334 | Dayton Parts | 1229-N-2250 | 4620 | Dayton Parts | R607216 |
| 4335 | Dayton Parts | 1229-L-844 | 4621 | Dayton Parts | R607215 |
| 4338 | Dayton Parts | 1229-E-4685 | 4622 | Dayton Parts | R607218 |
| 4339 | Dayton Parts | 1229-E-811 | 4662 | Dayton Parts | R607118 |
| 4340 | Dayton Parts | 1229-B-236 | 4663 | Dayton Parts | R607117 |
| 4341 | Dayton Parts | 1229-P-302 | 4664 | Dayton Parts | R607120 |
| 4345 | Dayton Parts | 1107-D-56 | 4665 | Dayton Parts | R607119 |
| 4347 | Dayton Parts | 1229-Q-277 | 4666 | Dayton Parts | R607124 |
| 4348 | Dayton Parts | R627028 | 4667 | Dayton Parts | R607123 |
| 4350 | Dayton Parts | R627031 | 4710 | Dayton Parts | R607248 |
| 4351 | Dayton Parts | R627032 | 4712 | Dayton Parts | R607250 |
| 4356 | Dayton Parts | 1229-J-4092 | 4713 | Dayton Parts | R607249 |
| 4357 | Dayton Parts | R627033 | 4714 | Dayton Parts | R607252 |
| 4358 | Dayton Parts | 1229-X-3118 | 4715 | Dayton Parts | R607251 |
| 4359 | Dayton Parts | 1229-A-4135 | 4716 | Dayton Parts | R607254 |
| 4361 | Dayton Parts | 1229-B-4136 | 4717 | Dayton Parts | R607253 |
| 4362 | Dayton Parts | 1229-C-4137 | 4719 | Dayton Parts | R607254 |
| 4363 | Dayton Parts | 1229-T-4102 | 4731 | Dayton Parts | 2210-N-7450 |
| 4377 | Dayton Parts | 1229-J-3130 | 5162 | Dayton Parts | R002518A |
| 4400 | Dayton Parts | 2210-T-7482 | 5201 | Dayton Parts | R823001 |
| 4401 | Dayton Parts | 2210-U-7483 | 5202 | Dayton Parts | A-43275-G-501 |
| 4506 | Dayton Parts | 2210-B-6866 | 5202 | Dayton Parts | R823000 |
| 4507 | Dayton Parts | 2210-C-6867 | 5203 | Dayton Parts | R823000 |
| 4508 | Dayton Parts | 2210-F-6870 | 5210 | Dayton Parts | R002307 |
| 4509 | Dayton Parts | 2210-G-6871 | 5211 | Dayton Parts | R824001 |
| 4510 | Dayton Parts | 2210-D-6868 | 5212 | Dayton Parts | A92-3275-G-501 |
| 4511 | Dayton Parts | 2210-E-6869 | 5214 | Dayton Parts | R824009 |
| 4524 | Dayton Parts | R607112 | 5217 | Dayton Parts | R823005 |
| 4525 | Dayton Parts | R607111 | 5235 | Dayton Parts | R824012 |
| 4530 | Dayton Parts | R607106 | 5237 | Dayton Parts | R823003 |
| 4531 | Dayton Parts | R607105 | 5237 | Dayton Parts | R824004 |
| 4534 | Dayton Parts | R607156 | 5238 | Dayton Parts | R823002 |
| 4535 | Dayton Parts | R607155 | 5238 | Dayton Parts | R824003 |
| 4560 | Dayton Parts | R607174 | 5240 | Dayton Parts | R823008 |
| 4561 | Dayton Parts | R607173 | 5250 | Dayton Parts | R002091 |
| 4562 | Dayton Parts | R607176 | 5251 | Dayton Parts | A-3275-J-686 |
| 4563 | Dayton Parts | R607175 | 5254 | Dayton Parts | R825020 |
| 4566 | Dayton Parts | R607186 | 5260 | Dayton Parts | R823000 |
| 4567 | Dayton Parts | R607185 | 5260 | Dayton Parts | R824000 |
| 4568 | Dayton Parts | R607178 | 5261 | Dayton Parts | R823001 |
| 4569 | Dayton Parts | R607177 | 5262 | Dayton Parts | R823002 |
| 4570 | Dayton Parts | R607224 | 5262 | Dayton Parts | R824003 |
| 4571 | Dayton Parts | R607223 | 5263 | Dayton Parts | R823003 |

CROSS REFERENCE

| PART# | COMPETITOR | MERITOR# | PART# | COMPETITOR | MERITOR# |
|-------|--------------|-------------|-------|--------------|---------------|
| 5263 | Dayton Parts | R824004 | 6412 | Dayton Parts | 1227-R-330 |
| 5264 | Dayton Parts | R823008 | 6412 | Dayton Parts | R002305 |
| 5650 | Dayton Parts | R806007 | 6413 | Dayton Parts | R002304 |
| 5651 | Dayton Parts | R806006 | 6414 | Dayton Parts | 1227-R-1240 |
| 5654 | Dayton Parts | R806023 | 6415 | Dayton Parts | 1229-B-3122 |
| 5655 | Dayton Parts | R806024 | 6416 | Dayton Parts | 1229-Y-3119 |
| 5656 | Dayton Parts | R806001 | 6420 | Dayton Parts | R002426 |
| 5657 | Dayton Parts | R806018 | 6421 | Dayton Parts | 1227-P-328 |
| 5658 | Dayton Parts | R806017 | 6422 | Dayton Parts | R002427 |
| 5659 | Dayton Parts | R806016 | 6425 | Dayton Parts | R002462 |
| 5660 | Dayton Parts | R806015 | 6470 | Dayton Parts | R002462 |
| 5661 | Dayton Parts | R806022 | 6471 | Dayton Parts | R002461 |
| 5662 | Dayton Parts | R806013 | 6476 | Dayton Parts | R002465 |
| 5663 | Dayton Parts | R806004 | 6477 | Dayton Parts | R002464 |
| 5663 | Dayton Parts | R806026 | 6482 | Dayton Parts | R002468 |
| 5664 | Dayton Parts | R806014 | 6483 | Dayton Parts | R002467 |
| 5665 | Dayton Parts | R806020 | 6500 | Dayton Parts | R003504 |
| 5667 | Dayton Parts | R806021 | 6501 | Dayton Parts | R003505 |
| 5668 | Dayton Parts | R806019 | 6502 | Dayton Parts | R003506 |
| 5670 | Dayton Parts | R806009 | 6504 | Dayton Parts | R003507 |
| 5672 | Dayton Parts | R806010 | 6505 | Dayton Parts | R003508 |
| 5675 | Dayton Parts | R806011 | 6506 | Dayton Parts | R003509 |
| 5676 | Dayton Parts | R806012 | 6551 | Dayton Parts | R004878 |
| 5676 | Dayton Parts | R806025 | 6552 | Dayton Parts | R004863 |
| 6201 | Dayton Parts | R000572 | 6562 | Dayton Parts | R004857 |
| 6202 | Dayton Parts | R000573 | 6563 | Dayton Parts | R004881 |
| 6203 | Dayton Parts | R000540 | 6567 | Dayton Parts | R004876 |
| 6205 | Dayton Parts | R002306 | 6570 | Dayton Parts | R004871 |
| 6221 | Dayton Parts | 1227-B-678 | 6571 | Dayton Parts | R004877 |
| 6222 | Dayton Parts | R001252 | 6595 | Dayton Parts | R006141 |
| 6223 | Dayton Parts | R001251 | 7104 | Dayton Parts | A-3722-S-357 |
| 6224 | Dayton Parts | R002128 | 7105 | Dayton Parts | A-3722-T-358 |
| 6226 | Dayton Parts | R002550 | 7107 | Dayton Parts | A-3222-S-2021 |
| 6228 | Dayton Parts | R001561 | 7121 | Dayton Parts | KIT-9020 |
| 6229 | Dayton Parts | R001559 | 7123 | Dayton Parts | KIT-1129 |
| 6230 | Dayton Parts | R002237 | 7134 | Dayton Parts | 2258-E-629 |
| 6252 | Sirco Brake | R005718R | 7134 | Dayton Parts | 2258-H-580 |
| 6261 | Sirco Brake | R005720L | 7136 | Dayton Parts | 2758-Q-43 |
| 6348 | Dayton Parts | R004861 | 7137 | Dayton Parts | 2758-W-127 |
| 6354 | Dayton Parts | R002296 | 7138 | Dayton Parts | 2758-W-127 |
| 6355 | Dayton Parts | R002297 | 7151 | Dayton Parts | A-2247-D-1018 |
| 6357 | Dayton Parts | R002298 | 7152 | Dayton Parts | A-2247-E-1019 |
| 6358 | Dayton Parts | 1227-U-541 | 7153 | Dayton Parts | A-2247-F-1020 |
| 6358 | Dayton Parts | R002299 | 7156 | Dayton Parts | A-2247-D-1018 |
| 6360 | Dayton Parts | R002300 | 7173 | Dayton Parts | 1205-C-2005 |
| 6361 | Dayton Parts | R002301 | 7174 | Dayton Parts | 1205-B-2004 |
| 6362 | Dayton Parts | R002302 | 7176 | Dayton Parts | 1205-B-2004 |
| 6365 | Dayton Parts | R003510 | 7178 | Dayton Parts | A-21705-M-221 |
| 6366 | Dayton Parts | R002658 | 7181 | Dayton Parts | 1707-B-2 |
| 6367 | Dayton Parts | R002660 | 7182 | Dayton Parts | 1707C3 |
| 6368 | Dayton Parts | R002659 | 7187 | Dayton Parts | 2297-N-2874 |
| 6369 | Dayton Parts | 1227-S-1527 | 7190 | Dayton Parts | A-3280-U-8185 |
| 6370 | Dayton Parts | KIT-1416 | 7191 | Dayton Parts | A-3280-V-8186 |
| 6371 | Dayton Parts | R002663 | 7192 | Dayton Parts | A-3280-W-8187 |
| 6400 | Dayton Parts | R002417 | 7193 | Dayton Parts | A-3280-X-8188 |
| 6401 | Dayton Parts | R002419 | 7195 | Dayton Parts | 2797-D-134 |
| 6402 | Dayton Parts | R002418 | 7212 | Dayton Parts | 2297-Y-5329 |
| 6407 | Dayton Parts | R002423 | 7213 | Dayton Parts | 2297-Z-5330 |
| 6408 | Dayton Parts | R002425 | 7214 | Dayton Parts | 2297-A-5331 |
| 6409 | Dayton Parts | R002424 | 7215 | Dayton Parts | 2297-B-5332 |
| 6411 | Dayton Parts | R002303 | 7245 | Dayton Parts | 1779-H-320 |

CROSS REFERENCE

| PART# | COMPETITOR | MERITOR# | PART# | COMPETITOR | MERITOR# |
|-------|--------------|---------------|-------|--------------|-------------|
| 7246 | Dayton Parts | 3280-Y-8189 | 12425 | Spicer | 1229-F-474 |
| 7246 | Dayton Parts | A-1779-M-195 | 12426 | Dana | 1227-B-106 |
| 7248 | Dayton Parts | 1807-A-1 | 12426 | Spicer | 1227-B-106 |
| 7249 | Dayton Parts | 1779-A-339 | 12429 | Dana | 1229-H-1568 |
| 7255 | Dayton Parts | 1199-F-3464 | 12432 | Dana | 1229-J-478 |
| 7256 | Dayton Parts | 2297-B-5670 | 12433 | Dana | 1227-D-108 |
| 7270 | Dayton Parts | A-2297-B-5670 | 12434 | Spicer | R002462 |
| 7276 | Dana | R002436 | 12435 | Dana | R002461 |
| 7277 | Spicer | R002433 | 12437 | Dana | R002465 |
| 7278 | Dana | R002437 | 12438 | Dana | R002464 |
| 7279 | Spicer | R002438 | 12439 | Dana | R002463 |
| 7281 | Spicer | R002341 | 12440 | Dana | R002468 |
| 7283 | Dana | R002434 | 12441 | Dana | R002467 |
| 7284 | Dana | R002431 | 12443 | Dana | R003504 |
| 7501 | Dayton Parts | R700327 | 12444 | Dana | R003505 |
| 7524 | Dayton Parts | R670023 | 12445 | Dana | R003506 |
| 7537 | Dayton Parts | R670024 | 12448 | Dana | KIT-1416 |
| 7553 | Dayton Parts | R670014 | 12449 | Spicer | 1229-C-1693 |
| 7900 | Dayton Parts | 1227-E-1487 | 12450 | Dana | R003507 |
| 7906 | Dayton Parts | 1779-Q-433 | 12451 | Dana | R003508 |
| 7909 | Dayton Parts | MPS-2003 | 12452 | Dana | R003509 |
| 10351 | Dana | R824000 | 12453 | Dana | R003501 |
| 10353 | Spicer | R002091 | 12459 | Dana | 1229-T-462 |
| 10355 | Dana | R823002 | 12462 | Dana | 1229-G-709 |
| 10367 | Dana | R823008 | 13452 | Spicer | R001902 |
| 10379 | Dana | R824007 | 13455 | Spicer | R001905 |
| 10399 | Dana | R824009 | 13481 | Dayton Parts | R567505 |
| 10801 | Dayton Parts | R700017 | 15525 | Spicer | 1259-Q-251 |
| 10854 | Dana | R824001 | 15526 | Dana | 1259-Q-251 |
| 12392 | Spicer | A-1229-W-2545 | 15527 | Dana | 1259-M-1131 |
| 12392 | Spicer | R000573 | 15528 | Dana | 1259-Q-251 |
| 12394 | Dana | R002237 | 15531 | Dana | 1259-R-252 |
| 12396 | Dana | 1227-B-678 | 15532 | Dana | 1259-R-252 |
| 12397 | Dana | 1229-T-1996 | 15532 | Spicer | 1259-N-1132 |
| 12397 | Spicer | 1229-T-1996 | 15536 | Dana | R537005 |
| 12398 | Dana | 1227-Z-676 | 15537 | Dana | R537001 |
| 12398 | Spicer | 1227-Z-676 | 15550 | Dana | 1259-B-262 |
| 12399 | Dana | A-1227-S-877 | 15556 | Dana | R547018 |
| 12399 | Spicer | A-1227-S-877 | 15560 | Dana | R547030 |
| 12400 | Dana | R002550 | 16563 | Spicer | 1225-B-496 |
| 12402 | Dana | R001561 | 16565 | Dana | 1225-B-496 |
| 12403 | Dana | R001559 | 17402 | Dana | R607270 |
| 12406 | Dana | R002306 | 17403 | Dana | R607269 |
| 12407 | Spicer | R000540 | 17414 | Dana | R607272 |
| 12409 | Dana | 1229-C-1459 | 17415 | Dana | R607271 |
| 12411 | Dana | 1227-T-540 | 17416 | Dana | R607274 |
| 12414 | Dana | 1227-V-516 | 17417 | Dana | R607273 |
| 12415 | Spicer | R002424 | 17418 | Dana | R607276 |
| 12416 | Dana | 1227-H-346 | 17419 | Dana | R607275 |
| 12417 | Dana | 1227-W-517 | 17460 | Spicer | R607110 |
| 12417 | Spicer | 1227-W-517 | 17462 | Spicer | R607108 |
| 12418 | Dana | 1229-U-1009 | 17463 | Spicer | R607107 |
| 12418 | Spicer | 1229-U-1009 | 17472 | Spicer | R607114 |
| 12419 | Dana | 1227-R-330 | 17473 | Spicer | R607113 |
| 12419 | Spicer | 1227-R-330 | 17480 | Spicer | R607170 |
| 12421 | Dana | 1229-V-48 | 17481 | Spicer | R607169 |
| 12423 | Dana | 1227-U-541 | 17482 | Spicer | R607172 |
| 12423 | Spicer | 1227-U-541 | 17483 | Spicer | R607171 |
| 12424 | Dana | 1229-G-475 | 17500 | Dana | R607170 |
| 12424 | Spicer | 1229-G-475 | 17501 | Dana | R607169 |
| 12425 | Dana | 1229-F-474 | 17502 | Dana | R607172 |

CROSS REFERENCE

| PART# | COMPETITOR | MERITOR# | PART# | COMPETITOR | MERITOR# |
|-------|------------|-------------|-------|------------|-------------|
| 17503 | Dana | R607171 | 17695 | Dana | R607008 |
| 17504 | Spicer | R607176 | 17698 | Spicer | R607023 |
| 17505 | Spicer | R607175 | 17698 | Spicer | R615000 |
| 17508 | Spicer | R607178 | 17699 | Dana | R607024 |
| 17509 | Spicer | R607177 | 17701 | Dana | 2210-D-6166 |
| 17510 | Spicer | R607198 | 17701 | Spicer | 2210-C-6165 |
| 17511 | Spicer | R607197 | 17714 | Spicer | 2210-H-6170 |
| 17512 | Dana | R607180 | 17715 | Spicer | 2210-G-6169 |
| 17513 | Dana | R607179 | 17720 | Spicer | 2210-B-6866 |
| 17514 | Spicer | R607200 | 17721 | Spicer | 2210-C-6867 |
| 17515 | Spicer | R607199 | 17722 | Spicer | 2210-F-6870 |
| 17516 | Spicer | R607174 | 17723 | Spicer | 2210-G-6871 |
| 17517 | Spicer | R607173 | 17724 | Spicer | 2210-D-6868 |
| 17518 | Spicer | R607186 | 17725 | Spicer | 2210-E-6869 |
| 17519 | Spicer | R607185 | 17734 | Spicer | R607202 |
| 17522 | Spicer | R607226 | 17738 | Spicer | R607212 |
| 17523 | Spicer | R607225 | 17739 | Spicer | R607211 |
| 17568 | Spicer | R607031 | 17760 | Spicer | R607212 |
| 17569 | Spicer | R607032 | 17761 | Spicer | R607211 |
| 17572 | Dana | R607093 | 17782 | Spicer | R607254 |
| 17574 | Dana | 2210-Q-6387 | 17783 | Spicer | R607253 |
| 17574 | Spicer | R607001 | 17810 | Spicer | 2210-Q-8155 |
| 17575 | Spicer | R607002 | 17811 | Spicer | 2210-R-8156 |
| 17576 | Dana | 2210-X-6316 | 17812 | Spicer | 2210-S-8157 |
| 17578 | Dana | R607083 | 17813 | Spicer | 2210-T-8158 |
| 17580 | Dana | R607081 | 17814 | Spicer | 2210-U-8159 |
| 17584 | Dana | 2210-H-2946 | 17815 | Spicer | 2210-V-8160 |
| 17586 | Spicer | 2210-C-6399 | 17920 | Spicer | R607230 |
| 17586 | Spicer | R607001 | 17921 | Spicer | R607229 |
| 17586 | Spicer | R607041 | 17928 | Spicer | R607232 |
| 17587 | Spicer | 2210-D-6400 | 17929 | Spicer | R607231 |
| 17587 | Spicer | R607002 | 17931 | Dana | R607277 |
| 17587 | Spicer | R607003 | 17940 | Spicer | R607234 |
| 17587 | Spicer | R607042 | 17941 | Spicer | R607233 |
| 17588 | Dana | 2210-A-6397 | 18500 | Spicer | 2210-K-7395 |
| 17589 | Spicer | R607034 | 18503 | Spicer | 2210-Y-7409 |
| 17594 | Spicer | 2210-Z-6344 | 18504 | Spicer | 2210-P-7426 |
| 17595 | Spicer | 2210-A-6345 | 18505 | Spicer | 2210-Q-7427 |
| 17616 | Spicer | R607161 | 18508 | Spicer | 2210-T-7456 |
| 17617 | Spicer | R607162 | 18509 | Spicer | 2210-U-7457 |
| 17618 | Spicer | R607264 | 18510 | Spicer | 2210-D-7492 |
| 17619 | Spicer | R607263 | 18516 | Spicer | 2210-H-7522 |
| 17620 | Dana | R607012 | 18517 | Spicer | 2210-J-7524 |
| 17622 | Dana | R607019 | 18518 | Spicer | 2210-V-7536 |
| 17624 | Dana | R607260 | 18519 | Spicer | 2210-W-7537 |
| 17625 | Spicer | R607259 | 18520 | Spicer | 2210-B-7542 |
| 17627 | Dana | 2210-R-8156 | 18521 | Spicer | 2210-C-7543 |
| 17629 | Dana | 2210-T-8158 | 18522 | Spicer | 2210-K-7551 |
| 17630 | Dana | 2210-N-4330 | 18523 | Spicer | 2210-L-7552 |
| 17630 | Spicer | 2210-U-8159 | 18528 | Spicer | 2210-B-7594 |
| 17632 | Dana | R607069 | 18529 | Spicer | 2210-C-7595 |
| 17634 | Dana | R607025 | 18530 | Spicer | 2210-K-7603 |
| 17636 | Dana | R607045 | 18531 | Spicer | 2210-L-7604 |
| 17637 | Dana | R607046 | 18532 | Spicer | 2210-K-7837 |
| 17639 | Dana | R607048 | 18533 | Spicer | 2210-L-7838 |
| 17643 | Dana | R607068 | 18534 | Spicer | 2210-H-7626 |
| 17658 | Spicer | 2210-F-6870 | 18535 | Spicer | 2210-J-7628 |
| 17659 | Spicer | 2210-G-6871 | 18538 | Spicer | 2210-H-7652 |
| 17683 | Dana | R607004 | 18539 | Spicer | 2210-J-7654 |
| 17685 | Dana | R607006 | 18542 | Spicer | 2210-R-7688 |
| 17691 | Dana | R607010 | 18543 | Spicer | 2210-S-7689 |

CROSS REFERENCE

| PART# | COMPETITOR | MERITOR# | PART# | COMPETITOR | MERITOR# |
|-------|------------|--------------|-------|----------------|-----------------|
| 18724 | Spicer | R607079 | 19870 | Dana | R567023 |
| 18725 | Spicer | R607080 | 19874 | Dana | R567017 |
| 18726 | Dana | R607035 | 19877 | Dana | R567028 |
| 18727 | Dana | R607036 | 19882 | Dana | 2258-B-704 |
| 18734 | Spicer | R607262 | 19897 | Dana | 2258-B-184 |
| 18735 | Spicer | R607261 | 19913 | Dana | 2258-S-643 |
| 18736 | Spicer | R607150 | 20882 | Dana | R577001 |
| 18739 | Dana | R607016 | 21886 | Spicer | A-3222-X-1142 |
| 18740 | Dana | R607029 | 21886 | Spicer | A-3722-L-64 |
| 18741 | Dana | R607030 | 21887 | Dana | A-3722-N-66 |
| 18743 | Dana | R607049 | 21889 | Spicer | A-3722-N-66 |
| 18747 | Dana | R607038 | 21889 | Spicer | R4515P |
| 18781 | Spicer | 2210-A-7645 | 21894 | Spicer | A-3222-A-1717 |
| 18786 | Spicer | R607097 | 21895 | Dana | A-3222-A-1717 |
| 18787 | Spicer | R607098 | 21898 | Spicer | A-3222-S-1293 |
| 18803 | Dana | R607096 | 21898 | Spicer | A91-3222-S-1293 |
| 18804 | Dana | 2210-W-5639S | 21898 | Spicer | R4515 |
| 18806 | Dana | R607077 | 21900 | Spicer | A-3222-N-1496 |
| 18808 | Dana | R607071 | 21902 | Spicer | A-3222-L-1572 |
| 18810 | Dana | R607075 | 21903 | Dana | A-3222-L-1572 |
| 18812 | Dana | R607073S | 21904 | Spicer | R4551Q |
| 18814 | Dana | 2210-M-5421 | 21912 | Dana | A25-3222-D-1954 |
| 18816 | Dana | 2210-G-5389 | 21926 | Dana | R700008 |
| 18818 | Dana | R607089 | 21927 | Dana | R700002 |
| 18820 | Dana | 2210-B-7594 | 21928 | Dana | R700003 |
| 18822 | Dana | 2210-K-7837 | 21929 | Dana | R700004 |
| 18824 | Dana | 2210-P-7426 | 21930 | Dana | R700001 |
| 18826 | Dana | 2210-D-7492 | 21931 | Spicer | R700005 |
| 18828 | Dana | 2210-Z-7514 | 21933 | Spicer | A-3222-S-2021 |
| 18828 | Spicer | 2210-D-7492 | 21935 | Spicer | A-3722-T-358 |
| 18830 | Dana | 2210-H-7522 | 21937 | Dana | A-3722-B-340 |
| 18832 | Dana | 2210-V-7536 | 21938 | Spicer | A-3722-E-681 |
| 18832 | Spicer | 2210-V-7536 | 21950 | Dana | R700401 |
| 18834 | Dana | 2210-H-7626 | 21956 | Dana | R700400 |
| 18836 | Dana | 2210-T-7586 | 21959 | Dana | R700383 |
| 18839 | Spicer | 2210-J-7628 | 21976 | Spicer | A-3222-P-1082 |
| 18847 | Dana | 2210-A-5409 | 22481 | Dayton Parts | KIT-8289 |
| 18857 | Dana | 2210-G-6845 | 31451 | Dayton Parts | R615025 |
| 18860 | Spicer | 2210-G-5337 | 32180 | Eaton Top Spec | 1229-Q-771 |
| 18892 | Spicer | 2210-X-6732 | 32181 | Eaton Top Spec | 1229-R-122 |
| 18893 | Spicer | 2210-W-6731 | 40165 | Dexter | R700016 |
| 18900 | Spicer | 2210-M-6747 | 40961 | Dayton Parts | R607116 |
| 18936 | Spicer | 2210-M-7449 | 40971 | Dayton Parts | R607115 |
| 18937 | Spicer | 2210-N-7450 | 40981 | Dayton Parts | R607114 |
| 18942 | Spicer | R607106 | 40991 | Dayton Parts | R607113 |
| 18943 | Spicer | R607105 | 81001 | Dayton Parts | KIT-9002 |
| 18944 | Spicer | R607156 | 81001 | Dayton Parts | R509000 |
| 18945 | Spicer | R607155 | 81002 | Dayton Parts | KIT-9001 |
| 18972 | Spicer | R607118 | 81002 | Dayton Parts | KIT-9017N |
| 18973 | Spicer | R607117 | 81003 | Dayton Parts | MKT-4515P |
| 18982 | Spicer | R607106 | 81004 | Dayton Parts | MKT-4515P |
| 18983 | Spicer | R607105 | 81004 | Dayton Parts | R509001 |
| 18984 | Spicer | R607154 | 81006 | Dayton Parts | R507011 |
| 18985 | Spicer | R607153 | 81036 | Dayton Parts | MKT-4515P |
| 19833 | Dana | 2258-U-619 | 81038 | Dayton Parts | KIT-9002 |
| 19853 | Dana | 2258-Z-416 | 81038 | Dayton Parts | KIT-9017N |
| 19856 | Dana | 2258-U-619 | 81038 | Dayton Parts | R509000 |
| 19859 | Dana | R567502 | 81042 | Dayton Parts | MKT-4311EHDN |
| 19862 | Dana | 2258-V-256 | 81051 | Dayton Parts | R507078 |
| 19862 | Spicer | R567005 | 81072 | Dayton Parts | R507067 |
| 19864 | Dana | R567004 | 81073 | Dayton Parts | R507014 |

CROSS REFERENCE

| PART# | COMPETITOR | MERITOR# | PART# | COMPETITOR | MERITOR# |
|-------|--------------|--------------|--------|--------------|--------------|
| 81074 | Dayton Parts | R507015 | 81369 | Dayton Parts | KIT-9300 |
| 81075 | Dayton Parts | R507068 | 81375 | Dayton Parts | R615013 |
| 81076 | Dayton Parts | R507000 | 81376 | Dayton Parts | KIT-8048 |
| 81076 | Dayton Parts | R507005 | 81378 | Dayton Parts | R615016 |
| 81077 | Dayton Parts | R507005 | 81418 | Dayton Parts | R509063 |
| 81081 | Dayton Parts | R507069 | 81425 | Dayton Parts | KIT-8000MB |
| 81083 | Dayton Parts | KIT-9003 | 81425 | Dayton Parts | MKT-4515QMBN |
| 81088 | Dayton Parts | MKT-4515QN | 81428 | Dayton Parts | MKT-4515U |
| 81090 | Dayton Parts | R507006 | 81450 | Dayton Parts | KIT-9421 |
| 81091 | Dayton Parts | MKT-4515X | 81700 | Dayton Parts | R508002 |
| 81092 | Dayton Parts | MKT-4515QN | 81701 | Dayton Parts | R508003 |
| 81093 | Dayton Parts | KIT-8004 | 81702 | Dayton Parts | MKT-4515QN |
| 81096 | Dayton Parts | R507072 | 81703 | Dayton Parts | MKT-4515QHDN |
| 81099 | Dayton Parts | R507073 | 81704 | Dayton Parts | MKT-4515UHD |
| 81104 | Dayton Parts | KIT-9303 | 81704 | Dayton Parts | R508015 |
| 81105 | Dayton Parts | KIT-9179 | 81706 | Dayton Parts | R509000 |
| 81106 | Dayton Parts | KIT-9402 | 81707 | Dayton Parts | R509001 |
| 81107 | Dayton Parts | KIT-9094 | 81709 | Dayton Parts | MKT-4311EHDN |
| 81107 | Dayton Parts | MKT-1308T | 81713 | Dayton Parts | MKT-4515XHD |
| 81111 | Dayton Parts | KIT-8029 | 81714 | Dayton Parts | R509000 |
| 81111 | Dayton Parts | MKT-1308Q | 81715 | Dayton Parts | R509001 |
| 81111 | Dayton Parts | MKT-4515UHD | 81716 | Dayton Parts | R509000 |
| 81112 | Dayton Parts | R508030 | 81717 | Dayton Parts | R509000 |
| 81113 | Dayton Parts | MKT-1308E | 81850 | Dayton Parts | KIT-9078 |
| 81115 | Dayton Parts | KIT-8026HD | 131152 | Dayton Parts | R005776 |
| 81128 | Dayton Parts | R507074 | 131191 | Dayton Parts | R005632 |
| 81129 | Dayton Parts | R507075 | 131544 | Dayton Parts | R0010215 |
| 81130 | Dayton Parts | MKT-1308E | 131545 | Dayton Parts | R0010216 |
| 81132 | Dayton Parts | MKT-4515QHDN | 131546 | Dayton Parts | R0010217 |
| 81137 | Dayton Parts | R507087 | 131549 | Dayton Parts | R0010218 |
| 81140 | Dayton Parts | R507080 | 131550 | Dayton Parts | R0010219 |
| 81142 | Dayton Parts | R507081 | 131551 | Dayton Parts | R0010220 |
| 81146 | Dayton Parts | R507076 | 131552 | Dayton Parts | R0010221 |
| 81154 | Dayton Parts | R507062 | 131560 | Dayton Parts | R005993 |
| 81156 | Dayton Parts | R507085 | 131562 | Dayton Parts | R005992A |
| 81157 | Dayton Parts | R507084 | 131563 | Dayton Parts | R008997 |
| 81160 | Dayton Parts | MKT-4702KT | 131567 | Dayton Parts | R008981 |
| 81300 | Dayton Parts | KIT-9037 | 131568 | Dayton Parts | R0010675 |
| 81302 | Dayton Parts | KIT-8043 | 131570 | Dayton Parts | R006036 |
| 81304 | Dayton Parts | KIT-8047 | 131571 | Dayton Parts | R006035 |
| 81305 | Dayton Parts | KIT-9035 | 131572 | Dayton Parts | R006034 |
| 81306 | Dayton Parts | KIT-970 | 131573 | Dayton Parts | R009009 |
| 81307 | Dayton Parts | KIT-8045 | 131576 | Dayton Parts | R008980 |
| 81307 | Dayton Parts | R615003 | 131577 | Dayton Parts | R0010676 |
| 81308 | Dayton Parts | R615003 | 131578 | Dayton Parts | R008987 |
| 81313 | Dayton Parts | KIT-971 | 131579 | Dayton Parts | R008988 |
| 81318 | Dayton Parts | KIT-8042 | 131580 | Dayton Parts | R005998 |
| 81321 | Dayton Parts | R615008 | 131581 | Dayton Parts | R005997 |
| 81323 | Dayton Parts | R615010 | 131582 | Dayton Parts | R005999 |
| 81324 | Dayton Parts | R615009 | 131592 | Dayton Parts | R006001 |
| 81325 | Dayton Parts | R615007 | 131721 | Dayton Parts | R008986 |
| 81330 | Dayton Parts | R615006 | 131903 | Dayton Parts | R0010229 |
| 81331 | Dayton Parts | R615005 | 131905 | Dayton Parts | R001905 |
| 81341 | Dayton Parts | R615001 | 132001 | Dayton Parts | R005682 |
| 81351 | Dayton Parts | R615002 | 132002 | Dayton Parts | R005683 |
| 81352 | Dayton Parts | R615015 | 132006 | Dayton Parts | R008961 |
| 81353 | Dayton Parts | R615018 | 132007 | Dayton Parts | R002650 |
| 81361 | Dayton Parts | KIT-8022 | 132341 | Dayton Parts | R002341 |
| 81364 | Dayton Parts | R615004 | 132460 | Dayton Parts | 20-X-1928 |
| 81366 | Dayton Parts | R615000 | 132461 | Dayton Parts | R009007 |
| 81368 | Dayton Parts | KIT-9304 | 132464 | Dayton Parts | 20-X-2128 |

CROSS REFERENCE

| PART# | COMPETITOR | MERITOR# | PART# | COMPETITOR | MERITOR# |
|--------------|-------------------|-----------------|--------------|-------------------|-----------------|
| 132650 | Dayton Parts | R002650 | 136012 | Dayton Parts | R005726 |
| 132651 | Dayton Parts | R008964 | 136013 | Dayton Parts | R005727 |
| 132653 | Dayton Parts | R008965 | 136014 | Dayton Parts | R005728 |
| 132951 | Dayton Parts | R002951 | 136015 | Dayton Parts | R005729 |
| 133000 | Dayton Parts | R005710 | 136016 | Dayton Parts | R004958 |
| 133001 | Dayton Parts | R005711 | 136301 | Dayton Parts | R004990A |
| 133002 | Dayton Parts | R005704 | 136402 | Dayton Parts | R005012 |
| 133003 | Dayton Parts | R005708 | 136502 | Dayton Parts | R005761 |
| 133004 | Dayton Parts | R005734 | 136560 | Dayton Parts | R002988 |
| 133011 | Dayton Parts | R004961A | 136570 | Dayton Parts | R002547 |
| 133048 | Dayton Parts | R005892 | 137000 | Dayton Parts | R005796 |
| 133050 | Dayton Parts | R005991 | 137001 | Dayton Parts | R005796 |
| 133052 | Dayton Parts | R006000A | 137007 | Dayton Parts | R004945 |
| 133053 | Dayton Parts | R0010234 | 137010 | Dayton Parts | R005798 |
| 133057 | Dayton Parts | R009020 | 137011 | Dayton Parts | R005798 |
| 133058 | Dayton Parts | R005710 | 137011 | Dayton Parts | R005799 |
| 133058 | Dayton Parts | R005711 | 137012 | Dayton Parts | R005799 |
| 133058 | Dayton Parts | R009021 | 137014 | Dayton Parts | R007014 |
| 133110 | Dayton Parts | R005708 | 137015 | Dayton Parts | R004945 |
| 133114 | Dayton Parts | R0010235 | 137016 | Dayton Parts | R007016 |
| 134001 | Dayton Parts | R005570 | 137017 | Dayton Parts | R005887 |
| 134002 | Dayton Parts | R005571AG | 137021 | Dayton Parts | R005800 |
| 134003 | Dayton Parts | R005045 | 137023 | Dayton Parts | R005947 |
| 134004 | Dayton Parts | R005040AG | 137025 | Dayton Parts | R004953 |
| 134005 | Dayton Parts | R005044 | 137026 | Dayton Parts | R005872 |
| 134006 | Dayton Parts | R005572AG | 137028 | Dayton Parts | R005801 |
| 134008 | Dayton Parts | R005786G | 137029 | Dayton Parts | R005949 |
| 134010 | Dayton Parts | R005784G | 137035 | Dayton Parts | R005954 |
| 134011 | Dayton Parts | R005785G | 137037 | Dayton Parts | R005800 |
| 134101 | Dayton Parts | R005045 | 137038 | Dayton Parts | R005801 |
| 134310 | Dayton Parts | R005571AG | 137045 | Dayton Parts | R004951 |
| 134525 | Dayton Parts | R005906 | 137050 | Dayton Parts | R004960 |
| 134527 | Dayton Parts | R005904AG | 137051 | Dayton Parts | R007051 |
| 134530 | Dayton Parts | R005905AG | 137053 | Dayton Parts | R005802 |
| 134531 | Dayton Parts | R005904AG | 137055 | Dayton Parts | R005955 |
| 134601 | Dayton Parts | R005747 | 137106 | Dayton Parts | R002436 |
| 134606 | Dayton Parts | R005837 | 137108 | Dayton Parts | R002433 |
| 134701 | Dayton Parts | R005055 | 137110 | Dayton Parts | R002437 |
| 134703 | Dayton Parts | R005783G | 137112 | Dayton Parts | R002438 |
| 134704 | Dayton Parts | R005821G | 137114 | Dayton Parts | R002340 |
| 134705 | Dayton Parts | R005822 | 137116 | Dayton Parts | R002435 |
| 134720 | Dayton Parts | R005883 | 137118 | Dayton Parts | R007118 |
| 134723 | Dayton Parts | R005827G | 137119 | Dayton Parts | R002434 |
| 134724 | Dayton Parts | R005828G | 137120 | Dayton Parts | R002431 |
| 134725 | Dayton Parts | R005829G | 137202 | Dayton Parts | R005737 |
| 134802 | Dayton Parts | R005825 | 137204 | Dayton Parts | R005952 |
| 134807 | Dayton Parts | R005953G | 137210 | Dayton Parts | R005957 |
| 134808 | Dayton Parts | R005973 | 137216 | Dayton Parts | R005743 |
| 134850 | Dayton Parts | R005885G | 137218 | Dayton Parts | R005960 |
| 135001 | Dayton Parts | R006054G | 137224 | Dayton Parts | R007224 |
| 135007 | Dayton Parts | R005927G | 137250 | Dayton Parts | R005961 |
| 135009 | Dayton Parts | R005890 | 137251 | Dayton Parts | R005032 |
| 135014 | Dayton Parts | R005902G | 137253 | Dayton Parts | R005963 |
| 135015 | Dayton Parts | R009023G | 137254 | Dayton Parts | R002002 |
| 135016 | Dayton Parts | R006053G | 137255 | Dayton Parts | R005964 |
| 135022 | Dayton Parts | R009024 | 137300 | Dayton Parts | R005018 |
| 136002 | Dayton Parts | R004958 | 138002 | Dayton Parts | R004962 |
| 136003 | Dayton Parts | R004956A | 138003 | Dayton Parts | R004962 |
| 136004 | Dayton Parts | R004957 | 138004 | Dayton Parts | R004963 |
| 136008 | Dayton Parts | R005706 | 138005 | Dayton Parts | R004963 |
| 136010 | Dayton Parts | R004956A | 138006 | Dayton Parts | R007775 |

CROSS REFERENCE

| PART# | COMPETITOR | MERITOR# | PART# | COMPETITOR | MERITOR# |
|--------|------------|----------------|--------|--------------|----------------|
| 231026 | Dana | 1225-F-266 | 331478 | Dana | A1-3236A-1249 |
| 231029 | Dana | R570005 | 331487 | Dana | A1-3236-Q-2123 |
| 271194 | Dana | R617009 | 331488 | Dana | A1-3236-Q-2123 |
| 271196 | Dana | R617006 | 341525 | Dana | 1229-X-1116 |
| 271198 | Dana | R617007 | 341525 | Spicer | 1229-X-1116 |
| 271202 | Dana | 1205-R-746 | 341526 | Spicer | 1229-T-3166 |
| 271208 | Dana | 1205-X-726 | 341529 | Dana | 1718-Y-103 |
| 281231 | Spicer | R657001 | 341529 | Spicer | 1718-Y-103 |
| 281232 | Dana | R617003 | 341530 | Spicer | R527002 |
| 281234 | Dana | 1225-R-512 | 341531 | Dana | R527001 |
| 281234 | Spicer | 1225-X-336 | 341531 | Spicer | R527001 |
| 281236 | Dana | R000943 | 341532 | Spicer | 3105-B-210 |
| 281238 | Dana | R617005 | 341538 | Dana | R547005 |
| 281241 | Dana | 1225-B-834 | 341538 | Spicer | R547005 |
| 281243 | Dana | KIT-9034 | 341547 | Spicer | 1229-D-2942 |
| 281257 | Dana | R617001 | 341549 | Dana | 1229-B-2498 |
| 281258 | Dana | R627022 | 341549 | Spicer | 1229-B-2498 |
| 281263 | Dana | 1225-M-897 | 341551 | Dana | NL-1121 |
| 291267 | Dana | 1205-N-924 | 341552 | Spicer | 1229-V-1556 |
| 291269 | Dana | 1205-M-1105 | 341558 | Dana | R547029 |
| 291271 | Dana | R627015 | 351576 | Dana | 5-X-640 |
| 291274 | Spicer | R627015 | 351576 | Spicer | 5-X-640 |
| 291275 | Dana | 1205-V-1452 | 351578 | Dana | R547032 |
| 291280 | Spicer | 3780-A-131 | 351579 | Dana | R547031 |
| 291281 | Dana | A-1205-V-1556 | 361657 | Spicer | R00632 |
| 291282 | Dana | R627026 | 437030 | Dana | R615007 |
| 291301 | Dana | 1229-Z-1118 | 437032 | Dana | R615008 |
| 291303 | Dana | R627012 | 437033 | Spicer | R615010 |
| 291306 | Dana | R627027 | 437034 | Spicer | KIT-9078 |
| 291308 | Dana | 1229-Q-771 | 437035 | Dana | R615008 |
| 291310 | Dana | 1229-G-1463 | 437037 | Dana | KIT-970 |
| 291312 | Dana | 1229-X-3118 | 437037 | Spicer | KIT-970 |
| 291314 | Dana | R627039 | 437039 | Dana | R615005 |
| 291317 | Dana | R627001 | 437040 | Dana | R615000 |
| 291319 | Dana | R627024 | 437042 | Dana | R615003 |
| 291321 | Dana | R627005 | 437042 | Spicer | R002123 |
| 291325 | Spicer | 1229-E-811 | 437046 | Dana | KIT-8047 |
| 291326 | Dana | R627025 | 437048 | Spicer | KIT-8042 |
| 291331 | Dana | R627028 | 451252 | Dayton Parts | R607074 |
| 291334 | Dana | 1107-D-56 | 458235 | Dayton Parts | R607171 |
| 291338 | Dana | 1229-B-236 | 471951 | Dayton Parts | R607025 |
| 291339 | Dana | 1229-N-2250 | 471952 | Dayton Parts | R607026 |
| 291340 | Dana | 1229-L-844 | 501110 | Dana | R005682 |
| 301357 | Dana | R630003 | 501111 | Dana | R005683 |
| 301358 | Spicer | A2-3105-G-1151 | 501115 | Dana | R0010229 |
| 301364 | Dana | R630006 | 501116 | Spicer | R001905 |
| 301385 | Dana | R630005 | 501129 | Spicer | R005776 |
| 301392 | Dana | R630006 | 501129 | Spicer | R005904AG |
| 321426 | Dana | 1779-C-81 | 501132 | Dana | R005703 |
| 321428 | Dana | 2297-T-7222 | 501225 | Dana | R005632 |
| 321441 | Dana | R517006 | 511020 | Spicer | N-1121 |
| 321445 | Dana | R517003 | 511020 | Spicer | R004961A |
| 321446 | Dana | R517506 | 511029 | Dana | R005892 |
| 321449 | Dana | R517004 | 511031 | Dana | R005704 |
| 321460 | Dana | R517011 | 511032 | Dana | R005991 |
| 321461 | Dana | R517010 | 511033 | Dana | R006000A |
| 321462 | Dana | R517009 | 511403 | Dana | R006053G |
| 321463 | Spicer | 1199-G-3725 | 521300 | Dana | R005570 |
| 321465 | Spicer | R517001 | 521301 | Dana | R005571AG |
| 321467 | Dana | 2297-C-5021 | 521303 | Dana | R005045 |
| 331476 | Dana | A1-3236A-1249 | 521304 | Dana | R005040AG |

CROSS REFERENCE

| PART# | COMPETITOR | MERITOR# | PART# | COMPETITOR | MERITOR# |
|--------|------------|-----------|---------|--------------|-------------|
| 521305 | Dana | R005044 | 610053 | Dorman | R004988L |
| 521306 | Dana | R005572AG | 610062 | Dorman | R005558R |
| 521310 | Dana | R005785G | 610063 | Dorman | R005558L |
| 521320 | Spicer | R005046 | 610145 | Dorman | R004955 |
| 521326 | Dana | R005035 | 610208 | Dorman | R004966R |
| 521335 | Dana | R005906 | 610209 | Dorman | R004966L |
| 521336 | Spicer | R005904AG | 611028 | Dorman | R005652R |
| 521337 | Dana | R005904AG | 611029 | Dorman | R005652L |
| 521368 | Dana | R006054G | 611040 | Dorman | R005554R |
| 521369 | Dana | R005837 | 611041 | Dorman | R005554L |
| 521370 | Dana | R005747 | 611043 | Dorman | R005734 |
| 521375 | Dana | R005055 | 611046 | Dorman | R005007 |
| 521378 | Dana | R005822 | 611054 | Dorman | R005892 |
| 521379 | Dana | R005820 | 611079 | Dorman | R005988R |
| 521381 | Spicer | R005784G | 611080 | Dorman | R005988R |
| 521382 | Dana | R005821G | 813660 | Dayton Parts | R615000 |
| 521385 | Dana | R005885G | 1240009 | Dayton Parts | 2797-B-1042 |
| 521390 | Dana | R005883 | 1240012 | Dayton Parts | 2797-D-56 |
| 521392 | Dana | R005827G | 1240016 | Dayton Parts | 2797-B-106 |
| 521394 | Dana | R005828G | 1338001 | World Truck | R005704 |
| 521395 | Dana | R005829G | 1339006 | World Truck | R009021 |
| 521405 | Dana | R005824 | 1339007 | World Truck | R006000A |
| 521407 | Dana | R005825 | 1513015 | World Truck | R009023G |
| 521410 | Dana | R005953G | 1513016 | World Truck | R009024 |
| 521415 | Dana | R005745G | 1681030 | World Truck | R002650 |
| 521422 | Dana | R005890 | 1681031 | World Truck | R008964 |
| 521430 | Dana | R005902G | 1681032 | World Truck | R008965 |
| 521431 | Dana | R009023G | 1681037 | World Truck | R008962 |
| 521440 | Dana | R005927G | 1681038 | World Truck | R008961 |
| 531306 | Dana | R005706 | 1681042 | World Truck | R008988 |
| 531502 | Dana | R004957 | 1681043 | World Truck | R008981 |
| 531511 | Dana | R005726 | 1681044 | World Truck | R0010676 |
| 531512 | Spicer | R004958 | 1681045 | World Truck | R008980 |
| 531513 | Dana | R005727 | 1681046 | World Truck | R008987 |
| 531514 | Dana | R004955 | 1681047 | World Truck | R009009 |
| 531517 | Dana | R005728 | 1681048 | World Truck | R008986 |
| 531522 | Dana | R005010 | 1701005 | World Truck | R008997 |
| 531530 | Dana | R005887 | 2806234 | Eaton | R517510 |
| 531539 | Dana | R004990A | 2807929 | Eaton | 1229-X-1116 |
| 531540 | Dana | R005012 | 2809513 | Eaton | 2258-Q-615 |
| 531545 | Dana | R005925 | 3381142 | Dayton Parts | 1229-P-302 |
| 531551 | Dana | R005761 | 3418811 | Dexter | R607295 |
| 531555 | Dana | R005018 | 3418905 | Dexter | R607294 |
| 541606 | Spicer | SC8191 | 4150861 | Dayton Parts | R607134 |
| 541607 | Dana | R005799 | 4150862 | Dayton Parts | R607133 |
| 541619 | Dana | R005801 | 4150931 | Dayton Parts | R607138 |
| 541620 | Dana | 4-X-1051 | 4150932 | Dayton Parts | R607137 |
| 541627 | Spicer | 4-X-1207 | 4151111 | Dayton Parts | R607136 |
| 541627 | Spicer | R007051 | 4151112 | Dayton Parts | R607135 |
| 541632 | Spicer | R005952 | 4160931 | Dayton Parts | R607118 |
| 541633 | Dana | R005739 | 4160932 | Dayton Parts | R607117 |
| 541635 | Spicer | R005957 | 4160961 | Dayton Parts | R607120 |
| 541636 | Dana | R005742 | 4160962 | Dayton Parts | R607119 |
| 541640 | Dana | R005961 | 4161001 | Dayton Parts | R607124 |
| 541644 | Dana | R005964 | 4161002 | Dayton Parts | R607123 |
| 541647 | Spicer | R005969 | 4190931 | Dayton Parts | 2210-S-6857 |
| 541648 | Dana | R005972 | 4190932 | Dayton Parts | 2210-R-6856 |
| 541651 | Dana | R005972 | 4200771 | Dayton Parts | 2210-E-6843 |
| 610046 | Dorman | R005551R | 4200772 | Dayton Parts | 2210-D-6842 |
| 610047 | Dorman | R005551L | 4200811 | Dayton Parts | 2210-G-6845 |
| 610052 | Dorman | R004988R | 4200812 | Dayton Parts | 2210-F-6844 |

CROSS REFERENCE

| PART# | COMPETITOR | MERITOR# | PART# | COMPETITOR | MERITOR# |
|---------|--------------|-------------|---------|--------------|-------------|
| 4200961 | Dayton Parts | 2210-W-6861 | 4451422 | Dayton Parts | 2210-H-5390 |
| 4200962 | Dayton Parts | 2210-V-6860 | 4451501 | Dayton Parts | R607087 |
| 4210851 | Dayton Parts | 2210-X-6732 | 4451502 | Dayton Parts | R607088 |
| 4210852 | Dayton Parts | 2210-W-6731 | 4451561 | Dayton Parts | R607089 |
| 4210931 | Dayton Parts | 2210-D-6738 | 4451562 | Dayton Parts | R607090 |
| 4210932 | Dayton Parts | 2210-C-6737 | 4452522 | Dayton Parts | 2210-U-4909 |
| 4210961 | Dayton Parts | 2210-M-6747 | 4460821 | Dayton Parts | 2210-X-7408 |
| 4240571 | Dayton Parts | 2210-Z-5408 | 4460822 | Dayton Parts | 2210-Y-7409 |
| 4260871 | Dayton Parts | 2210-R-7428 | 4460851 | Dayton Parts | 2210-P-7426 |
| 4260872 | Dayton Parts | 2210-S-7429 | 4460852 | Dayton Parts | 2210-Q-7427 |
| 4260931 | Dayton Parts | 2210-N-7450 | 4460921 | Dayton Parts | 2210-F-7442 |
| 4260932 | Dayton Parts | 2210-M-7449 | 4460922 | Dayton Parts | 2210-G-7443 |
| 4271051 | Dayton Parts | R607077 | 4460951 | Dayton Parts | 2210-T-7456 |
| 4370861 | Dayton Parts | R607035 | 4460952 | Dayton Parts | 2210-U-7457 |
| 4370862 | Dayton Parts | R607036 | 4461031 | Dayton Parts | 2210-V-7484 |
| 4371021 | Dayton Parts | R607148 | 4461032 | Dayton Parts | 2210-W-7485 |
| 4371022 | Dayton Parts | R607147 | 4461051 | Dayton Parts | 2210-D-7492 |
| 4371121 | Dayton Parts | R607150 | 4461052 | Dayton Parts | 2210-E-7493 |
| 4371122 | Dayton Parts | R607149 | 4461101 | Dayton Parts | 2210-Z-7514 |
| 4371151 | Dayton Parts | R607015 | 4461102 | Dayton Parts | 2210-A-7515 |
| 4371152 | Dayton Parts | R607016 | 4461121 | Dayton Parts | 2210-H-7522 |
| 4371251 | Dayton Parts | R607029 | 4461122 | Dayton Parts | 2210-J-7524 |
| 4371252 | Dayton Parts | R607030 | 4461151 | Dayton Parts | 2210-V-7536 |
| 4371351 | Dayton Parts | R607050 | 4461152 | Dayton Parts | 2210-W-7537 |
| 4371352 | Dayton Parts | R607049 | 4461161 | Dayton Parts | 2210-B-7542 |
| 4371431 | Dayton Parts | R607037 | 4461162 | Dayton Parts | 2210-C-7543 |
| 4371432 | Dayton Parts | R607038 | 4461251 | Dayton Parts | 2210-B-7568 |
| 4390861 | Dayton Parts | R607112 | 4461252 | Dayton Parts | 2210-C-7569 |
| 4390862 | Dayton Parts | R607111 | 4461311 | Dayton Parts | 2210-T-7586 |
| 4391051 | Dayton Parts | R607152 | 4461312 | Dayton Parts | 2210-U-7587 |
| 4391052 | Dayton Parts | R607151 | 4461331 | Dayton Parts | 2210-B-7594 |
| 4391161 | Dayton Parts | R607106 | 4461332 | Dayton Parts | 2210-C-7595 |
| 4391162 | Dayton Parts | R607105 | 4461351 | Dayton Parts | 2210-K-7837 |
| 4391251 | Dayton Parts | R607154 | 4461352 | Dayton Parts | 2210-L-7838 |
| 4391252 | Dayton Parts | R607153 | 4461421 | Dayton Parts | 2210-H-7626 |
| 4391441 | Dayton Parts | R607156 | 4461422 | Dayton Parts | 2210-J-7628 |
| 4391442 | Dayton Parts | R607155 | 4461511 | Dayton Parts | 2210-T-7664 |
| 4450522 | Dayton Parts | 2210-U-4909 | 4461512 | Dayton Parts | 2210-U-7665 |
| 4450811 | Dayton Parts | R607095 | 4461531 | Dayton Parts | 2210-Z-7670 |
| 4450812 | Dayton Parts | R607096 | 4461532 | Dayton Parts | 2210-A-7671 |
| 4450861 | Dayton Parts | R607091 | 4461551 | Dayton Parts | 2210-M-7683 |
| 4450862 | Dayton Parts | R607092 | 4461552 | Dayton Parts | 2210-N-7684 |
| 4450921 | Dayton Parts | R607085 | 4461552 | Dayton Parts | 2210-N-7788 |
| 4450922 | Dayton Parts | R607086 | 4472041 | Dayton Parts | R607021 |
| 4451031 | Dayton Parts | R607017 | 4480771 | Dayton Parts | 2210-K-7395 |
| 4451032 | Dayton Parts | R607018 | 4480772 | Dayton Parts | 2210-L-7396 |
| 4451051 | Dayton Parts | R607077 | 4480832 | Dayton Parts | 2210-C-7413 |
| 4451052 | Dayton Parts | R607078 | 4480861 | Dayton Parts | 2210-P-7426 |
| 4451121 | Dayton Parts | R607071 | 4480862 | Dayton Parts | 2210-Q-7427 |
| 4451122 | Dayton Parts | R607072 | 4481031 | Dayton Parts | 2210-T-7482 |
| 4451151 | Dayton Parts | R607075 | 4481032 | Dayton Parts | 2210-U-7483 |
| 4451152 | Dayton Parts | R607076 | 4481041 | Dayton Parts | 2210-D-7492 |
| 4451171 | Dayton Parts | R607097 | 4481042 | Dayton Parts | 2210-E-7493 |
| 4451172 | Dayton Parts | R607098 | 4481051 | Dayton Parts | 2210-K-7499 |
| 4451221 | Dayton Parts | 2210-E-5725 | 4481052 | Dayton Parts | 2210-L-7500 |
| 4451222 | Dayton Parts | 2210-F-5726 | 4481112 | Dayton Parts | 2210-A-7515 |
| 4451251 | Dayton Parts | R607073 | 4481121 | Dayton Parts | 2210-H-7522 |
| 4451252 | Dayton Parts | R607074 | 4481122 | Dayton Parts | 2210-J-7524 |
| 4451371 | Dayton Parts | R607079 | 4481151 | Dayton Parts | 2210-V-7536 |
| 4451372 | Dayton Parts | R607080 | 4481152 | Dayton Parts | 2210-W-7537 |
| 4451421 | Dayton Parts | 2210-G-5389 | 4481211 | Dayton Parts | 2210-K-7551 |

CROSS REFERENCE

| PART# | COMPETITOR | MERITOR# | PART# | COMPETITOR | MERITOR# |
|--------------|-------------------|-----------------|--------------|-------------------|-----------------|
| 4481212 | Dayton Parts | 2210-L-7552 | 4592351 | Dayton Parts | R607178 |
| 4481251 | Dayton Parts | 2210-B-7568 | 4592352 | Dayton Parts | R607177 |
| 4481331 | Dayton Parts | 2210-B-7594 | 4592411 | Dayton Parts | R607224 |
| 4481332 | Dayton Parts | 2210-C-7595 | 4592412 | Dayton Parts | R607223 |
| 4481341 | Dayton Parts | 2210-K-7603 | 4601741 | Dayton Parts | R607180 |
| 4481342 | Dayton Parts | 2210-L-7604 | 4601742 | Dayton Parts | R607179 |
| 4481351 | Dayton Parts | 2210-K-7837 | 4602041 | Dayton Parts | R607182 |
| 4481352 | Dayton Parts | 2210-L-7838 | 4602042 | Dayton Parts | R607181 |
| 4481421 | Dayton Parts | 2210-H-7626 | 4602301 | Dayton Parts | R607198 |
| 4481422 | Dayton Parts | 2210-J-7628 | 4602302 | Dayton Parts | R607197 |
| 4481471 | Dayton Parts | 2210-H-7652 | 4602351 | Dayton Parts | R607184 |
| 4481472 | Dayton Parts | 2210-J-7654 | 4602352 | Dayton Parts | R607183 |
| 4562351 | Dayton Parts | R607231 | 4602411 | Dayton Parts | R607200 |
| 4562352 | Dayton Parts | R607232 | 4602412 | Dayton Parts | R607199 |
| 4562411 | Dayton Parts | R607278 | 4602701 | Dayton Parts | R607226 |
| 4562412 | Dayton Parts | R607277 | 4602702 | Dayton Parts | R607225 |
| 4562631 | Dayton Parts | R607320 | 4611902 | Dayton Parts | R607239 |
| 4562632 | Dayton Parts | R607319 | 4612121 | Dayton Parts | R607005 |
| 4571632 | Dayton Parts | R607040 | 4612122 | Dayton Parts | R607006 |
| 4571651 | Dayton Parts | 2210-X-6316 | 4612211 | Dayton Parts | R607242 |
| 4571652 | Dayton Parts | 2210-Y-6317 | 4612212 | Dayton Parts | R607241 |
| 4571741 | Dayton Parts | R607031 | 4612321 | Dayton Parts | R607009 |
| 4571742 | Dayton Parts | R607032 | 4612322 | Dayton Parts | R607010 |
| 4571761 | Dayton Parts | R607093 | 4612401 | Dayton Parts | R607007 |
| 4571762 | Dayton Parts | R607094 | 4612402 | Dayton Parts | R607008 |
| 4571841 | Dayton Parts | R607063 | 4612461 | Dayton Parts | R607168 |
| 4571842 | Dayton Parts | R607064 | 4612651 | Dayton Parts | R607244 |
| 4571861 | Dayton Parts | R607083 | 4612652 | Dayton Parts | R607243 |
| 4571862 | Dayton Parts | R607084 | 4631621 | Dayton Parts | R607202 |
| 4572041 | Dayton Parts | R607081 | 4631812 | Dayton Parts | R607266 |
| 4572042 | Dayton Parts | R607082 | 4631901 | Dayton Parts | R607204 |
| 4572111 | Dayton Parts | 2210-Z-6318 | 4631902 | Dayton Parts | R607203 |
| 4572112 | Dayton Parts | 2210-A-6319 | 4632132 | Dayton Parts | R607207 |
| 4572241 | Dayton Parts | 2210-H-2946 | 4632321 | Dayton Parts | R607212 |
| 4572242 | Dayton Parts | 2210-J-2948 | 4632322 | Dayton Parts | R607211 |
| 4572301 | Dayton Parts | R607055 | 4632401 | Dayton Parts | R607216 |
| 4572302 | Dayton Parts | R607056 | 4632402 | Dayton Parts | R607215 |
| 4572351 | Dayton Parts | R607001 | 4632631 | Dayton Parts | R607218 |
| 4572352 | Dayton Parts | R607002 | 4642041 | Dayton Parts | R607248 |
| 4572411 | Dayton Parts | R607041 | 4642131 | Dayton Parts | R607250 |
| 4572412 | Dayton Parts | 2210-D-6400 | 4642132 | Dayton Parts | R607249 |
| 4572412 | Dayton Parts | R607042 | 4642211 | Dayton Parts | R607252 |
| 4572441 | Dayton Parts | R607033 | 4642212 | Dayton Parts | R607251 |
| 4572442 | Dayton Parts | R607034 | 4642321 | Dayton Parts | R607254 |
| 4572651 | Dayton Parts | R607194 | 4642322 | Dayton Parts | R607253 |
| 4572652 | Dayton Parts | R607193 | 4711951 | Dayton Parts | R607025 |
| 4574741 | Dayton Parts | R607031 | 4711952 | Dayton Parts | R607026 |
| 4581741 | Dayton Parts | R607222 | 4712371 | Dayton Parts | R607045 |
| 4581742 | Dayton Parts | R607221 | 4712372 | Dayton Parts | R607046 |
| 4582041 | Dayton Parts | R607170 | 4722021 | Dayton Parts | R607047 |
| 4582042 | Dayton Parts | R607169 | 4722022 | Dayton Parts | R607048 |
| 4582271 | Dayton Parts | R607190 | 4731941 | Dayton Parts | R607110 |
| 4582272 | Dayton Parts | R607189 | 4731942 | Dayton Parts | R607109 |
| 4582351 | Dayton Parts | R607172 | 4732361 | Dayton Parts | R607108 |
| 4582352 | Dayton Parts | R607171 | 4732362 | Dayton Parts | R607107 |
| 4591741 | Dayton Parts | R607174 | 4741941 | Dayton Parts | R607116 |
| 4591742 | Dayton Parts | R607173 | 4741942 | Dayton Parts | R607115 |
| 4592041 | Dayton Parts | R607176 | 4742361 | Dayton Parts | R607114 |
| 4592042 | Dayton Parts | R607175 | 4742362 | Dayton Parts | R607113 |
| 4592301 | Dayton Parts | R607186 | 4772041 | Dayton Parts | R607021 |
| 4592302 | Dayton Parts | R607185 | 4772042 | Dayton Parts | R607022 |

CROSS REFERENCE

| PART# | COMPETITOR | MERITOR# | PART# | COMPETITOR | MERITOR# |
|---------|--------------|-------------|---------|--------------|--------------|
| 4782031 | Dayton Parts | R607003 | 8100400 | Dayton Parts | MKT-4515P |
| 4782032 | Dayton Parts | R607004 | 8100600 | Dayton Parts | R507011 |
| 4782231 | Dayton Parts | R607023 | 8103600 | Dayton Parts | MKT-4515P |
| 4782232 | Dayton Parts | R607024 | 8104220 | Dayton Parts | R507077 |
| 4811621 | Dayton Parts | R607012 | 8104330 | Dayton Parts | R507083 |
| 4811622 | Dayton Parts | R607011 | 8104900 | Dayton Parts | R507092 |
| 4812121 | Dayton Parts | R607019 | 8105000 | Dayton Parts | R507093 |
| 4812122 | Dayton Parts | R607020 | 8105100 | Dayton Parts | R507078 |
| 4812401 | Dayton Parts | R607161 | 8105105 | Dayton Parts | R507076 |
| 4812402 | Dayton Parts | R607162 | 8107300 | Dayton Parts | R507014 |
| 4821621 | Dayton Parts | R607164 | 8107401 | Dayton Parts | R507074 |
| 4821622 | Dayton Parts | R607163 | 8107405 | Dayton Parts | R507074 |
| 4832121 | Dayton Parts | R607264 | 8107500 | Dayton Parts | R507068 |
| 4871121 | Dayton Parts | R607326 | 8107501 | Dayton Parts | R507075 |
| 4871122 | Dayton Parts | R607325 | 8107600 | Dayton Parts | R507000 |
| 4881052 | Dayton Parts | 2210-L-7500 | 8107700 | Dayton Parts | R507005 |
| 4882041 | Dayton Parts | R607069 | 8108110 | Dayton Parts | R507069 |
| 4882042 | Dayton Parts | R607070 | 8108800 | Dayton Parts | MKT-4515QN |
| 4882421 | Dayton Parts | R607067 | 8108810 | Dayton Parts | KIT-8000MB |
| 4882422 | Dayton Parts | R607068 | 8108812 | Dayton Parts | MKT-4515U |
| 4891731 | Dayton Parts | 2210-Q-8155 | 8108830 | Dayton Parts | MKT-4515QHDN |
| 4891732 | Dayton Parts | 2210-R-8156 | 8108875 | Dayton Parts | MKT-4515QN |
| 4892041 | Dayton Parts | 2210-S-8157 | 8109000 | Dayton Parts | R507006 |
| 4892042 | Dayton Parts | 2210-T-8158 | 8109100 | Dayton Parts | MKT-4515X |
| 4892421 | Dayton Parts | 2210-U-8159 | 8109200 | Dayton Parts | MKT-4515QN |
| 4892422 | Dayton Parts | 2210-V-8160 | 8109600 | Dayton Parts | R507072 |
| 4911731 | Dayton Parts | 2210-B-6866 | 8109830 | Dayton Parts | KIT-9179 |
| 4911732 | Dayton Parts | 2210-C-6867 | 8109900 | Dayton Parts | R507073 |
| 4912041 | Dayton Parts | 2210-F-6870 | 8110700 | Dayton Parts | MKT-1308T |
| 4912042 | Dayton Parts | 2210-G-6871 | 8111100 | Dayton Parts | MKT-1308Q |
| 4912421 | Dayton Parts | 2210-D-6868 | 8111102 | Dayton Parts | MKT-1308Q |
| 4912422 | Dayton Parts | 2210-E-6869 | 8111200 | Dayton Parts | R508030 |
| 4931731 | Dayton Parts | 2210-B-6866 | 8111300 | Dayton Parts | MKT-1308E |
| 4931732 | Dayton Parts | 2210-C-6867 | 8111500 | Dayton Parts | KIT-8026HD |
| 4932041 | Dayton Parts | 2210-F-6870 | 8113200 | Dayton Parts | MKT-4515QHDN |
| 4932042 | Dayton Parts | 2210-G-6871 | 8113700 | Dayton Parts | R507087 |
| 4932421 | Dayton Parts | 2210-D-6868 | 8114000 | Dayton Parts | R507080 |
| 4932422 | Dayton Parts | 2210-E-6869 | 8114200 | Dayton Parts | R507081 |
| 4942041 | Dayton Parts | 2210-H-6170 | 8114920 | Dayton Parts | R507094 |
| 4942042 | Dayton Parts | 2210-G-6169 | 8115400 | Dayton Parts | R507062 |
| 4952041 | Dayton Parts | 2210-D-6166 | 8115600 | Dayton Parts | R507085 |
| 4952042 | Dayton Parts | 2210-C-6165 | 8115700 | Dayton Parts | R507084 |
| 4952331 | Dayton Parts | 2210-F-6168 | 8116000 | Dayton Parts | MKT-4702KT |
| 4952332 | Dayton Parts | 2210-E-6167 | 8130132 | Dayton Parts | R615003 |
| 5004159 | Dana | S11212 | 8130200 | Dayton Parts | KIT-9078 |
| 8004350 | Dayton Parts | R005799 | 8130300 | Dayton Parts | R009791HD |
| 8005148 | Dayton Parts | R004955 | 8130301 | Dayton Parts | R009791HD |
| 8005149 | Dayton Parts | R004962 | 8130311 | Dayton Parts | R615023 |
| 8005265 | Dayton Parts | R004962 | 8130311 | Dayton Parts | R615024 |
| 8005715 | Dayton Parts | R004956A | 8130600 | Dayton Parts | KIT-970 |
| 8005716 | Dayton Parts | R004963 | 8130601 | Dayton Parts | KIT-8048 |
| 8006654 | Dayton Parts | R004958 | 8130610 | Dayton Parts | KIT-8289 |
| 8007358 | Dayton Parts | R005796 | 8130611 | Dayton Parts | KIT-8078A |
| 8007471 | Dayton Parts | R005955 | 8130800 | Dayton Parts | R002123 |
| 8007775 | Dayton Parts | R005800 | 8131800 | Dayton Parts | KIT-8042 |
| 8008134 | Dayton Parts | R007014 | 8132100 | Dayton Parts | R615008 |
| 8008411 | Dayton Parts | R004956A | 8132103 | Dayton Parts | R615009 |
| 8008551 | Dayton Parts | R005954 | 8132111 | Dayton Parts | R615007 |
| 8034396 | Dayton Parts | R004957 | 8132300 | Dayton Parts | R615010 |
| 8100105 | Dayton Parts | KIT-9017 | 8132310 | Dayton Parts | R615014 |
| 8100300 | Dayton Parts | MKT-4515P | 8132800 | Dayton Parts | R615019 |

CROSS REFERENCE

| PART# | COMPETITOR | MERITOR# | PART# | COMPETITOR | MERITOR# |
|----------|--------------|--------------|-----------|----------------|---------------|
| 8133100 | Dayton Parts | R615005 | 40910661 | Haldex | R806503 |
| 8133101 | Dayton Parts | R615006 | 40910663 | Haldex | R806012 |
| 8135100 | Dayton Parts | R615002 | 40910665 | Haldex | R806505 |
| 8135101 | Dayton Parts | R507100 | 40910674 | Haldex | R806014 |
| 8135110 | Dayton Parts | R615018 | 40910678 | Haldex | R806016 |
| 8135111 | Dayton Parts | R615021 | 40910680 | Haldex | R806018 |
| 8136100 | Dayton Parts | KIT-8092 | 40910684 | Haldex | R806020 |
| 8136400 | Dayton Parts | R615004 | 40910733 | Haldex | R806022 |
| 8136600 | Dayton Parts | R615000 | 40910742 | Haldex | R806024 |
| 8136800 | Dayton Parts | KIT-9304 | 41910042 | Haldex | R806027 |
| 8136900 | Dayton Parts | KIT-9300 | 41910427 | Haldex | R806028 |
| 8137500 | Dayton Parts | R615013 | 41910455 | Haldex | R806029 |
| 8137800 | Dayton Parts | R615016 | 41910586 | Haldex | R806030 |
| 8142800 | Dayton Parts | MKT-4515U | 41910608 | Haldex | R806031 |
| 8170200 | Dayton Parts | MKT-4515QN | 41910636 | Haldex | R806032 |
| 8170300 | Dayton Parts | MKT-4515QHDN | 41910641 | Haldex | R806511 |
| 8170900 | Dayton Parts | MKT-4311EHDN | 41910743 | Haldex | R806512 |
| 8171300 | Dayton Parts | MKT-4515XHD | 41910770 | Haldex | R806033 |
| 8190921 | Dayton Parts | KIT-9006RHB | 41910790 | Haldex | R806513 |
| 8191021 | Dayton Parts | KIT-9006LHB | 41910849 | Haldex | R806514 |
| 8191902 | Dayton Parts | KIT-1191 | 41910850 | Haldex | R806515 |
| 8193200 | Dayton Parts | R670015 | 41910854 | Haldex | R806039 |
| 8193204 | Dayton Parts | R670025 | 41950002 | Haldex | R806516 |
| 8193303 | Dayton Parts | R670016 | 41950017 | Haldex | R806517 |
| 8201140 | Dayton Parts | R005970 | 41950018 | Haldex | R806518 |
| 8204734 | Dayton Parts | R005706 | 41950019 | Haldex | R806519 |
| 9001164 | Dayton Parts | R005899R | 42710497 | Haldex | R810310 |
| 9001165 | Dayton Parts | R005899L | 42710517 | Haldex | R810312 |
| 9001275 | Dayton Parts | R005902G | 42710558 | Haldex | R810327 |
| 9001393 | Dayton Parts | R005589L | 42710563 | Haldex | R810301 |
| 9001394 | Dayton Parts | R005589R | 42710565 | Haldex | R810308 |
| 9001422 | Dayton Parts | R006053G | 44310096 | Haldex | R810318 |
| 9006256 | Dayton Parts | R005827G | 44310096 | Haldex | R810321 |
| 9006257 | Dayton Parts | R005828G | 44310101 | Haldex | R810319 |
| 9006302 | Dayton Parts | R005829G | 44310101 | Haldex | R810324 |
| 9009122 | Dayton Parts | R005897R | 44310188 | Haldex | R810320 |
| 9009123 | Dayton Parts | R005897L | 44310204 | Haldex | R810320 |
| 9541417 | Dayton Parts | R005570 | 44310204 | Haldex | R810321 |
| 9604017 | Dayton Parts | R005044 | 44310290 | Haldex | R810325 |
| 9612317 | Dayton Parts | R005571AG | 44310299 | Haldex | R810326 |
| 9623517 | Dayton Parts | R005572AG | 44310318 | Haldex | R810322 |
| 9658417 | Dayton Parts | R005045 | 44310318 | Haldex | R810325 |
| 9699317 | Dayton Parts | R005040AG | 45210058 | Haldex | R810322 |
| 9705317 | Dayton Parts | R005786G | 45210058 | Haldex | R810323 |
| 9717110 | Dayton Parts | R005046 | 45210125 | Haldex | R810318 |
| 9839910 | Dayton Parts | R005927G | 45210125 | Haldex | R810324 |
| 9870817 | Dayton Parts | R005784G | 45210128 | Haldex | R810323 |
| 9870917 | Dayton Parts | R005785G | 45210128 | Haldex | R810325 |
| 40010009 | Haldex | R806501 | 45276878 | Haldex | R810326 |
| 40010010 | Haldex | R806500 | 201116001 | Standard Forge | A-3722-N-66 |
| 40010302 | Haldex | R806000 | 201116001 | Standard Forge | R4515P |
| 40910101 | Haldex | R806002 | 203100001 | Standard Forge | 1259-N-1132 |
| 40910590 | Haldex | R806506 | 203100001 | Standard Forge | 1259-R-252 |
| 40910600 | Haldex | R806501 | 203112001 | Standard Forge | R537001 |
| 40910627 | Haldex | R806022 | 204101001 | Standard Forge | 1779-B-1172 |
| 40910638 | Haldex | R806507 | 204101001 | Standard Forge | 2297-T-7222 |
| 40910650 | Haldex | R806004 | 210172001 | Standard Forge | R002518A |
| 40910654 | Haldex | R806005 | 514958001 | Fruehauf | A-3222-A-1717 |
| 40910655 | Haldex | R806006 | 514961900 | Fruehauf | A-3222-A-1717 |
| 40910657 | Haldex | R806008 | 0031506L | Dayton Parts | R005618L |
| 40910659 | Haldex | R806010 | 01P | H.D.A. | R617001 |

CROSS REFERENCE

| PART# | COMPETITOR | MERITOR# | PART# | COMPETITOR | MERITOR# |
|-------------|--------------|---------------|----------|------------|---------------|
| 04P | H.D.A. | 1229-Z-1118 | 100012 | Conmet | R006026L |
| 05219/05217 | Dayton Parts | R823005 | 100013 | Conmet | R006026R |
| 05P | H.D.A. | 1229-Q-771 | 100017 | Budd | R006033R |
| 08130122 | Dana | KIT-9037 | 100018 | Budd | R006033L |
| 08130200 | Dana | KIT-8043 | 1000406 | Eaton | R567017 |
| 08130301 | Dana | R615022 | 100117 | Conmet | R006023L |
| 08130601 | Dana | KIT-8048 | 100118 | Conmet | R006023R |
| 08130610 | Dana | KIT-8289 | 100122 | Conmet | R001417L |
| 08130611 | Dana | KIT-8078A | 100123 | Conmet | R001417R |
| 08130800 | Dana | R615003 | 1001238 | Eaton | R507002 |
| 08131800 | Dana | KIT-8042 | 100140 | Bendix | R670015 |
| 08132100 | Dana | R615008 | 100145 | Budd | R008947R |
| 08132111 | Dana | R615007 | 100146 | Budd | R008947L |
| 08132300 | Dana | R615010 | 100150 | Bendix | R670025 |
| 08132800 | Dana | R615019 | 100151 | Bendix | R670025 |
| 08132803 | Dana | R615019 | 1001580 | Eaton | R607038 |
| 08135100 | Dana | R615002 | 1001581 | Eaton | R607037 |
| 08136400 | Dana | R615004 | 100163 | Webb | R009008L |
| 08P | H.D.A. | 1229-G-1463 | 100164 | Webb | R009008R |
| 09P | H.D.A. | A-1205-V-1556 | 100170 | Webb | R006033R |
| 0R205 | Dayton Parts | R823000 | 100181 | Webb | R006033L |
| 1/1/4903 | Dayton Parts | S266D | 10018621 | Conmet | A-3262-W-1427 |
| 100 | Sirco Brake | R004988R | 1002248 | Eaton | R617005 |
| 100.1308.10 | Automann | 2257-M-1001 | 100225 | Conmet | R006028L |
| 100.1308.10 | Automann | KIT-8029 | 1002254 | Eaton | KIT-8048 |
| 100.1308.12 | Automann | KIT-8061 | 100226 | Conmet | R006028R |
| 100.1308.12 | Automann | R508030 | 1002262 | Eaton | R617006 |
| 100.1308.20 | Automann | KIT-9094 | 1002279 | Eaton | R627015 |
| 100.1308.20 | Automann | R509094 | 100254 | Conmet | R006027L |
| 100.1308.22 | Automann | KIT-1125 | 100255 | Conmet | R006027R |
| 100.1308.22 | Automann | R509095 | 100256 | Conmet | R006024R |
| 100.1308.30 | Automann | R507004 | 1003000 | Eaton | 1225-R-512 |
| 100.4311.10 | Automann | R507002 | 100312 | Conmet | R007016 |
| 100.4311.12 | Automann | R507077 | 100343 | Conmet | R008951L |
| 100.4471.10 | Automann | KIT-9179 | 100344 | Conmet | R008951R |
| 100.4515.10 | Automann | KIT-9001 | 10036730 | Conmet | R930205 |
| 100.4515.14 | Automann | KIT-9017 | 100368 | Conmet | R006058L |
| 100.4515.21 | Automann | KIT-8000 | 100369 | Conmet | R006058R |
| 100.4515.22 | Automann | KIT-8000 | 10037 | Haldex | R002307 |
| 100.4515.25 | Automann | KIT-8000MB | 100370 | Conmet | R006059L |
| 100.4515.25 | Automann | KIT-8000MBA | 100371 | Conmet | R006059R |
| 100.4515.25 | Automann | R508002 | 100372 | Conmet | R006028L |
| 100.4515.31 | Automann | R507008 | 100372/3 | Conmet | R006028R |
| 100.4515.41 | Automann | KIT-8014HD | 100373 | Conmet | R006028R |
| 100.4524.10 | Automann | R508053 | 1003817 | Eaton | R567003 |
| 100.4591.20 | Automann | R507095 | 100383 | Conmet | R005872 |
| 100.4591.30 | Automann | R507015 | 1003999 | Eaton | R567501 |
| 100.4692.13 | Automann | R507074 | 1005006 | Eaton | R507072 |
| 100.4692.15 | Automann | R507092 | 1005202 | Eaton | R627031 |
| 100.4692.16 | Automann | R507093 | 1005203 | Eaton | R627032 |
| 100.4702.10 | Automann | KIT-8824HD | 1005204 | Eaton | R517001 |
| 100.4702.10 | Automann | R508824 | 100524 | Conmet | R005989L |
| 100.4708.11 | Automann | R507062 | 100525 | Conmet | R005989R |
| 100.4709.10 | Automann | R507057 | 100526 | Conmet | R005930R |
| 100.4709.11 | Automann | R507064 | 100527 | Conmet | R005930L |
| 100.4717.10 | Automann | R507083 | 1005840 | Eaton | R1308E |
| 1000035 | Eaton | 1225-L-1208 | 1005846 | Eaton | R627030 |
| 1000035 | Eaton | R617001 | 1006530 | Eaton | R627029 |
| 1000087 | Eaton | R607036 | 1006562 | Eaton | R567009 |
| 1000088 | Eaton | R607035 | 1006730 | Eaton | R607133 |
| 1000092 | Eaton | R567028 | 1006731 | Eaton | R607134 |

CROSS REFERENCE

| PART# | COMPETITOR | MERITOR# | PART# | COMPETITOR | MERITOR# |
|-------------|-------------|-------------|-----------|----------------|-------------|
| 1006864 | Eaton | R607135 | 101773 | Conmet | R008952L |
| 1006865 | Eaton | R607136 | 101774 | Conmet | R008952R |
| 1006866 | Eaton | R607137 | 101873 | Conmet | R0010225L |
| 1006867 | Eaton | R607138 | 101874 | Conmet | R0010225R |
| 1006948 | Eaton | R607141 | 102.2071 | Automann | 1259-N-274 |
| 1006949 | Eaton | R607142 | 102.2122 | Automann | R537005 |
| 1008047 | Eaton | R627008 | 102.2221 | Automann | 1259-X-1012 |
| 1008220 | Eaton | R627029 | 102.2241 | Automann | 1259-B-262 |
| 1008246 | Eaton | R607145 | 102.2242 | Automann | R537001 |
| 1008247 | Eaton | R607146 | 102.2243 | Automann | 1259-M-1131 |
| 1008306 | Eaton | R507004 | 102.2281 | Automann | 1259-Q-251 |
| 1008325 | Eaton | R615013 | 102033 | Conmet | R0010218 |
| 1008347 | Eaton | R615004 | 102111/12 | Bendix | R802280 |
| 1008412 | Eaton | R617005 | 102111/12 | Bendix | R802281 |
| 100858006 | Eaton | R006033L | 102111/12 | Bendix | R802356 |
| 100858010 | Eaton | R006033R | 102111/12 | Bendix | R802357 |
| 101 | Sirco Brake | R004988L | 10211112 | Bendix | R802280 |
| 101.0251 | Automann | R517006 | 10211112 | Bendix | R802281 |
| 101.0251.99 | Automann | R517509 | 10211112 | Bendix | R802356 |
| 101.1121 | Automann | 1199-G-3725 | 10211112 | Bendix | R802357 |
| 101.1121 | Automann | R517001 | 102115/16 | Bendix | R801045 |
| 101.1122.99 | Automann | R517506 | 102115/16 | Bendix | R802333 |
| 101.1122K | Automann | R517003 | 10211516 | Bendix | R801045 |
| 101.1141.99 | Automann | 1246-F-1020 | 10211516 | Bendix | R802333 |
| 101.1141K | Automann | 2297-C-5021 | 102117/18 | Bendix | R802444 |
| 101.2051K | Automann | R517510 | 102117/18 | Bendix | R802445 |
| 101.2061 | Automann | 1199-U-3765 | 102117/18 | Bendix | R802512 |
| 101.2072 | Automann | 1779-B-1172 | 102117/18 | Bendix | R802513 |
| 101.2072 | Automann | 2297-T-7222 | 10211718 | Bendix | R802444 |
| 101.2073 | Automann | 1779-C-81 | 10211718 | Bendix | R802445 |
| 101.2074 | Automann | 1779-D-82 | 10211718 | Bendix | R802512 |
| 1010MS | Leland | RV31010S | 10211718 | Bendix | R802513 |
| 101133 | Bendix | R824003 | 102188 | Conmet | R0010215 |
| 101133N | Bendix | R824003 | 102189 | Conmet | R0010216 |
| 101134 | Bendix | R824004 | 102190 | Conmet | R0010217 |
| 101160 | Webb | R006034 | 10225M11 | Mack | 5-X-640 |
| 101161 | Webb | R009526 | 102277 | Conmet | R0010209L |
| 101162 | Webb | R006035 | 102278 | Conmet | R0010209R |
| 101164 | Webb | R006036 | 102279 | Conmet | R0010208L |
| 101166 | Webb | R009009 | 102280 | Conmet | R0010208R |
| 101171 | Conmet | R006001 | 102281 | Conmet | R0010210L |
| 101172 | Webb | R009010R | 102282 | Conmet | R0010210R |
| 101173 | Webb | R009010L | 102290 | Conmet | R0010219 |
| 101174 | Webb | R009524R | 102291 | Conmet | R0010220 |
| 101175 | Webb | R009524L | 102292 | Conmet | R0010221 |
| 101178 | Webb | R009525R | 10284 | Spicer | R000540 |
| 101179 | Webb | R009525L | 10286 | Spicer | R000572 |
| 101191 | Webb | R0010242 | 10287 | Spicer | R000573 |
| 101207 | Bendix | R823002 | 103.1084 | Automann | 1225-B-496 |
| 101214 | Bendix | R823003 | 103.1084 | Automann | R547008 |
| 101214N | Bendix | R823003 | 1030003 | World Truck | R005971 |
| 101215 | Bendix | R823002 | 1030004 | World Truck | R005972 |
| 101215 | Bendix | R824003 | 103102001 | Standard Forge | R000572 |
| 101215N | Bendix | R823002 | 103103002 | Standard Forge | R000540 |
| 101215N | Bendix | R824003 | 103105 | Standard Forge | R001087 |
| 101289 | Bendix | R824004 | 103191 | Conmet | R0010228L |
| 101289N | Bendix | R824004 | 103192 | Conmet | R0010228R |
| 101290 | Bendix | R824003 | 103193 | Conmet | R0010222 |
| 101290N | Bendix | R824003 | 103345 | Bendix | R824003 |
| 101321 | Budd | R008948R | 103426 | Fruehauf | R002306 |
| 101322 | Budd | R008948L | 10351 | Dana | R824000 |

CROSS REFERENCE

| PART# | COMPETITOR | MERITOR# | PART# | COMPETITOR | MERITOR# |
|-------------|----------------|----------------|----------|----------------|---------------|
| 10351BULK | Spicer | R824000 | 105106 | Standard Forge | R002237 |
| 10353BULK | Spicer | R002091 | 105107 | Standard Forge | R000573 |
| 10354 | Dana | R824001 | 105109 | Standard Forge | 1229-T-462 |
| 10354BULK | Spicer | R824001 | 105617 | Eaton | 1229-X-3118 |
| 10355BULK | Spicer | A-43275-X-596 | 105982 | Eaton | 1229-S-2697 |
| 10355BULK | Spicer | R824003 | 106.1241 | Automann | 1205-K-193 |
| 10355HD | Spicer | A-43275-X-596 | 106.1241 | Automann | A-1205-S-1943 |
| 10355HD | Spicer | R823002 | 106201 | Budd | R008949R |
| 10357 | Dana | R823005 | 106202 | Budd | R008949L |
| 10366 | Spicer | B28-3275-X-518 | 106216 | Budd | R005997 |
| 10366BULK | Dana | R823001 | 106333 | Budd | R006000A |
| 10366BULK | Spicer | R823001 | 106377 | Budd | R005998 |
| 10367BULK | Dana | R823008 | 106397 | Budd | R005999 |
| 10367BULK | Spicer | R823008 | 107.0251 | Automann | 1229-V-1556 |
| 10368 | Dana | R823003 | 107.0261 | Automann | 1229-V-1504 |
| 10368BULK | Dana | R824004 | 107.1091 | Automann | 1229-B-1848 |
| 10368BULK | Spicer | R824004 | 107.1091 | Automann | 1229-G-2971 |
| 10368HD | Dana | R823003 | 10708 | Budd | R007895R |
| 10368HD | Spicer | R823003 | 107080 | Webb | R007895R |
| 10379BULK | Dana | R824007 | 10709 | Budd | R007895L |
| 10379BULK | Spicer | R824007 | 107091 | Webb | R007895L |
| 10391 | Dana | R824012 | 108.0241 | Automann | 1229-T-3166 |
| 10391BULK | Dana | R824012 | 108.1041 | Automann | 1229-X-1116 |
| 10391BULK | Spicer | R824012 | 1080002 | World Truck | R005761 |
| 10393BULK | Spicer | R823000 | 10806 | Dayton Parts | KIT-9006B |
| 10399BULK | Dana | R824009 | 10810001 | World Truck | R004990A |
| 10399BULK | Spicer | R824009 | 10820001 | World Truck | R005012 |
| 104.03281 | Automann | R567501 | 10820002 | World Truck | R005925 |
| 104.04061HD | Automann | R567011 | 10820003 | World Truck | R005712 |
| 104.04171 | Automann | R567502 | 10854 | Spicer | R824001 |
| 104.04201 | Automann | R567028 | 109.6001 | Automann | NL-1121 |
| 104.05091 | Automann | 2258-E-1123 | 109.6001 | Automann | R004961A |
| 104.05161 | Automann | 2258-Q-615 | 109.6002 | Automann | R587001 |
| 104.05162 | Automann | R567505 | 109.6003 | Automann | S266D |
| 104.06002 | Automann | 2258-R-590 | 109.6005 | Automann | R001559 |
| 104.06181 | Automann | R567005 | 109434 | Clark | 1225-F-266 |
| 104.07041 | Automann | R567009 | 109437 | Clark | 5-X-640 |
| 104.07061 | Automann | 2258-G-579 | 109439 | Clark | 1205-K-193 |
| 104.07221 | Automann | 2258-K-1181 | 10990 | Eaton | 1259-N-274 |
| 104.08001 | Automann | 2258-P-354 | 110.2001 | Automann | R615002 |
| 104.08001HD | Automann | 2258-Z-416 | 110.2002 | Automann | R615004 |
| 104.08121 | Automann | 2258-U-619 | 110.2003 | Automann | R615013 |
| 104.08121HD | Automann | 2258-W-803 | 110.2004 | Automann | R615015 |
| 104.08122 | Automann | 2258-U-619 | 110.2005 | Automann | R615021 |
| 104.08123 | Automann | 2258-L-1234 | 110.2006 | Automann | R615000 |
| 104.10001 | Automann | R567017 | 110.2007 | Automann | R615002 |
| 104.10261HD | Automann | R567006 | 110.2007 | Automann | R615018 |
| 10406 | Spicer | R000540 | 110.2008 | Automann | R615003 |
| 10408 | Spicer | R000572 | 110.2101 | Automann | R615005 |
| 104624 | Bendix | R507082 | 110.2102 | Automann | R615006 |
| 104627 | Bendix | R507080 | 110.2202 | Automann | KIT-9300 |
| 104628 | Bendix | R507081 | 110.2203 | Automann | KIT-9304 |
| 104631 | Bendix | R615016 | 110.2204 | Automann | KIT-8048 |
| 105.1001 | Automann | R527001 | 110.2205 | Automann | KIT-8022 |
| 105.1002 | Automann | R527002 | 110.2207 | Automann | KIT-8042 |
| 105.1003 | Automann | 1718-Y-103 | 110.2208 | Automann | KIT-8033 |
| 105.1005 | Automann | 3105-B-210 | 110.2209 | Automann | KIT-8058 |
| 105.2002 | Automann | R577001 | 110.2210 | Automann | KIT-8078A |
| 105.2003 | Automann | 1218-C-107 | 110.2212 | Automann | KIT-9037 |
| 105.2004 | Automann | 1218-G-85 | 110.2214 | Automann | KIT-8048 |
| 105102 | Standard Forge | 1229-G-709 | 110.2215 | Automann | KIT-970 |

CROSS REFERENCE

| PART# | COMPETITOR | MERITOR# | PART# | COMPETITOR | MERITOR# |
|----------|-------------|----------------|------------|--------------|---------------|
| 110.2217 | Automann | KIT-8289 | 11109 | Spicer | R617008 |
| 110.2218 | Automann | KIT-9034 | 11171 | Dayton Parts | R670016 |
| 110.2220 | Automann | R615023 | 112.1081 | Automann | 1225-M-897 |
| 110.2301 | Automann | R615009 | 112.1082 | Automann | 1225-R-1136 |
| 110.2302 | Automann | R615008 | 112.1083 | Automann | R627029 |
| 110.2303 | Automann | R615019 | 112.1161 | Automann | 1225-L-1208 |
| 110.2304 | Automann | R615007 | 112.11610 | Automann | 1225-R-1058 |
| 110.2305 | Automann | R615014 | 112.11611 | Automann | R617008 |
| 110.2306 | Automann | R615001 | 112.11612 | Automann | R000943 |
| 110.2307 | Automann | R615010 | 112.11612W | Automann | R000943 |
| 110.2501 | Automann | R615016 | 112.11613 | Automann | 1225-X-804 |
| 110.2503 | Automann | R615022 | 112.11614 | Automann | R627009 |
| 1100003 | World Truck | R005927G | 112.11615 | Automann | R617001 |
| 1100006 | World Truck | R005570 | 112.1163 | Automann | 1225-R-512 |
| 1100007 | World Truck | R005571AG | 112.1163 | Automann | 1225-X-336 |
| 1100008 | World Truck | R005046 | 112.1163 | Automann | R657005 |
| 1100010 | World Truck | R005784G | 112.1164 | Automann | R617003 |
| 1100011 | World Truck | R005040AG | 112.1165 | Automann | R617002 |
| 1100012 | World Truck | R005045 | 112.1166 | Automann | R617015 |
| 1100013 | World Truck | R005044 | 112.1167 | Automann | R617006 |
| 1100014 | World Truck | R005572AG | 112.1168 | Automann | R657001 |
| 1100015 | World Truck | R005785G | 112.1169 | Automann | 1225-J-634 |
| 1100018 | World Truck | R005827G | 112.1191 | Automann | R617009 |
| 1100019 | World Truck | R005883 | 112.1192 | Automann | R617007 |
| 1100020 | World Truck | R005829G | 112.1201 | Automann | 1225-N-1158 |
| 1100021 | World Truck | R005828G | 112.1202 | Automann | 1225-B-834 |
| 11004 | Spicer | 5-X-640 | 112.1203 | Automann | R617005 |
| 11004 | Spicer | A-1205-S-1943 | 112.1204 | Automann | R617009 |
| 11004 | Spicer | R547033 | 112.1204 | Automann | R627034 |
| 11005 | Dana | 1205-K-193 | 112.1205 | Automann | A-3105-L-1078 |
| 11007 | Dana | 1259-R-252 | 112.1206 | Automann | R657003 |
| 11008 | Dana | 1225-L-1208 | 112.1281 | Automann | 1225-A-833 |
| 11008 | Spicer | 1225-L-1208 | 11227 | Spicer | 2258-P-354 |
| 11008 | Spicer | R617001 | 11227 | Spicer | 2258-Z-416 |
| 11009 | Dana | 1229-G-1463 | 11228 | Dana | 1218-G-85 |
| 1101002 | World Truck | R005745G | 11229 | Dana | 1718-Y-103 |
| 11019 | Spicer | R617001 | 11230 | Spicer | A-3722-N-66 |
| 1102005 | World Truck | R005035 | 11230 | Spicer | R4515P |
| 1102016 | World Truck | R005747 | 11238 | Spicer | R607081 |
| 1103001 | World Truck | R005841 | 11239 | Spicer | R607082 |
| 1104001 | World Truck | R005885G | 11245 | Eaton | R002467 |
| 1105003 | World Truck | R005902G | 11249 | Eaton | R002468 |
| 1105005 | World Truck | R005890 | 113.1241 | Automann | A-1205-D-2110 |
| 1105010 | World Truck | R005904AG | 113.1242 | Automann | 1205-N-924 |
| 1105011 | World Truck | R005906 | 113.1281 | Automann | 1205-M-1105 |
| 1105014 | World Truck | R005837 | 113.1281 | Automann | R627008 |
| 1105016 | World Truck | R005904AG | 113.1281 | Automann | R627018 |
| 1106001 | World Truck | R006053G | 113.1282 | Automann | R627008 |
| 1106004 | World Truck | R005822 | 113.1283 | Automann | 1205-V-1452 |
| 1106005 | World Truck | R005820 | 113.1284 | Automann | R627030 |
| 1106007 | World Truck | R005821G | 113.1291 | Automann | 1205-X-726 |
| 1106012 | World Truck | R005055 | 113.2001 | Automann | 1205-Q-2123 |
| 1107001 | World Truck | R006054G | 113.2001 | Automann | R627015 |
| 11090 | Spicer | 1259-N-1132 | 113.2021 | Automann | A-1205-P-1602 |
| 11090 | Spicer | 1259-R-252 | 113.2022 | Automann | 1205-G-761 |
| 1109001 | World Truck | R005825 | 113.2023 | Automann | A-1205-V-1556 |
| 1109002 | World Truck | R005824 | 114.1051 | Automann | R627006 |
| 1109003 | World Truck | R005953G | 114.1052 | Automann | R627005 |
| 111.0001 | Automann | A2-3105-G-1151 | 114.1081 | Automann | R627032 |
| 111.0002 | Automann | R630006 | 114.1082 | Automann | R627031 |
| 111.0006 | Automann | R630003 | 114.1083 | Automann | 1229-J-3130 |

CROSS REFERENCE

| PART# | COMPETITOR | MERITOR# | PART# | COMPETITOR | MERITOR# |
|----------|--------------|-------------|---------------|------------|---------------|
| 114.1091 | Automann | 1107-D-56 | 11CD48L | Autocar | R005576L |
| 114.1092 | Automann | 1229-Q-277 | 11CD48R | Autocar | R005576R |
| 114.1101 | Automann | 1229-B-236 | 11CG198 | Mack | R002434 |
| 114.1161 | Automann | R627033 | 11DO42 | Autocar | R005570 |
| 114.1162 | Automann | 1229-G-1463 | 11E48L | Autocar | R005579L |
| 114.1162 | Automann | 1229-L-844 | 11E48R | Autocar | R005579R |
| 114.1163 | Automann | 1229-S-2697 | 11EHT31 | Mack | R005952 |
| 114.1164 | Automann | 1229-P-302 | 12 | Black Max | 2797-D-56 |
| 114.1166 | Automann | 1229-L-844 | 120.100818.01 | Automann | R607036 |
| 114.1166 | Automann | 1229-N-2250 | 120.100818.02 | Automann | R607035 |
| 114.1171 | Automann | R627025 | 120.100820.01 | Automann | R607111 |
| 114.1172 | Automann | 1229-Q-771 | 120.100820.02 | Automann | R607112 |
| 114.1173 | Automann | 1229-J-868 | 120.101016.01 | Automann | R607261 |
| 114.1174 | Automann | 1229-R-122 | 120.101016.02 | Automann | R607262 |
| 114.1174 | Automann | R627005 | 120.101116.01 | Automann | R607016 |
| 114.1176 | Automann | 1229-E-811 | 120.101116.02 | Automann | R607015 |
| 114.1177 | Automann | R627024 | 120.101118.01 | Automann | R607105 |
| 114.1181 | Automann | 1229-M-559 | 120.101118.02 | Automann | R607106 |
| 114.1181 | Automann | R627011 | 120.101214.01 | Automann | R607030 |
| 114.1201 | Automann | 1229-X-3118 | 120.101214.02 | Automann | R607029 |
| 114.1202 | Automann | 1229-B-4136 | 120.101314.01 | Automann | R607049 |
| 114.1203 | Automann | 1229-R-4100 | 120.101314.02 | Automann | R607050 |
| 114.1204 | Automann | 1229-A-4135 | 120.101408.01 | Automann | R607038 |
| 114.1205 | Automann | 1229-S-4101 | 120.101408.02 | Automann | R607037 |
| 114.1211 | Automann | R627002 | 120.101916.01 | Automann | R607026 |
| 114.1213 | Automann | 1229-E-4685 | 120.101916.02 | Automann | R607025 |
| 114.1213 | Automann | 1229-F-4686 | 120.101916.03 | Automann | R607109 |
| 114.1221 | Automann | R627043 | 120.101916.04 | Automann | R607110 |
| 114.1222 | Automann | R627044 | 120.102324.01 | Automann | R607046 |
| 115.0311 | Automann | 1229-C-4137 | 120.102324.02 | Automann | R607045 |
| 115.0311 | Automann | 1229-J-4092 | 120.102324.03 | Automann | R607107 |
| 115.1011 | Automann | R627012 | 120.102324.04 | Automann | R607108 |
| 115.1051 | Automann | 1229-D-2942 | 120.282007.01 | Automann | R607048 |
| 115.1101 | Automann | R627027 | 120.282007.02 | Automann | R607047 |
| 115.1121 | Automann | 1229-Q-2851 | 120.282324.01 | Automann | R607113 |
| 115.1161 | Automann | 1229-Z-1118 | 120.282324.02 | Automann | R607114 |
| 115.1162 | Automann | R627017 | 12016 | Spicer | R700002 |
| 115.1201 | Automann | 1229-T-4102 | 12018 | Spicer | R700003 |
| 11505 | Spicer | R700002 | 120622 | Eaton | R002465 |
| 11507 | Spicer | R700003 | 12086 | Eaton | A-1205-S-1943 |
| 11526 | Spicer | R547005 | 121.371604.01 | Automann | R607011 |
| 11528 | Spicer | R567011 | 121.371604.02 | Automann | R607012 |
| 11593 | Spicer | R607005 | 121.372104.01 | Automann | R607020 |
| 11594 | Spicer | R607006 | 121.372104.02 | Automann | R607019 |
| 11902 | Dayton Parts | R670015 | 121.372328.01 | Automann | R607162 |
| 1191797 | Chrysler | R005740 | 121.372328.02 | Automann | R607161 |
| 1191846 | Chrysler | R005718R | 121353 | Eaton | R002463 |
| 1191847 | Chrysler | R005718L | 122.100721.04 | Automann | 2210-E-6843 |
| 119881 | Eaton | R002305 | 122.100728.01 | Automann | R607096 |
| 119882 | Eaton | R002304 | 122.100728.02 | Automann | R607095 |
| 119883 | Eaton | R002303 | 122.100730.01 | Automann | 2210-F-6844 |
| 11A366L | Autocar | R005652L | 122.100730.02 | Automann | 2210-G-6845 |
| 11A366R | Autocar | R005652R | 122.100816.05 | Automann | 2210-M-6851 |
| 11A48L | Autocar | R005977L | 122.100816.06 | Automann | 2210-N-6852 |
| 11A48R | Autocar | R005977R | 122.100818.03 | Automann | R607092 |
| 11A49L | Autocar | R007895L | 122.100818.04 | Automann | 2210-W-5639 |
| 11A49R | Autocar | R007895R | 122.100818.04 | Automann | 2210-W-5639S |
| 11AE042 | Autocar | R005784G | 122.100818.04 | Automann | R607091 |
| 11B242 | Autocar | R005572AG | 122.100908.03 | Automann | 2210-R-6856 |
| 11BMT148 | Mack | R005957 | 122.100908.04 | Automann | 2210-S-6857 |
| 11C242 | Autocar | R005571AG | 122.100918.03 | Automann | 2210-V-6860 |

CROSS REFERENCE

| PART# | COMPETITOR | MERITOR# | PART# | COMPETITOR | MERITOR# |
|---------------|------------|--------------|---------------|-------------|---------------|
| 122.100918.04 | Automann | 2210-W-6861 | 122.281403.04 | Automann | 2210-H-7626 |
| 122.101109.01 | Automann | R607072 | 122.281419.01 | Automann | 2210-A-7645 |
| 122.101109.02 | Automann | R607071 | 122.281419.04 | Automann | 2210-Z-7644 |
| 122.101116.01 | Automann | R607076 | 122.281424.01 | Automann | 2210-J-7654 |
| 122.101116.02 | Automann | R607075 | 122.281424.02 | Automann | 2210-H-7652 |
| 122.101124.01 | Automann | R607098 | 122.281506.02 | Automann | 2210-Z-7670 |
| 122.101124.02 | Automann | R607097 | 122.281506.03 | Automann | 2210-A-7671 |
| 122.101202.01 | Automann | R607028 | 122.281523.01 | Automann | 2210-S-7689 |
| 122.101202.02 | Automann | 2210-E-5725 | 122.281523.04 | Automann | 2210-R-7688 |
| 122.101404.01 | Automann | 2210-H-5390 | 122.281710.01 | Automann | 2210-R-8156 |
| 122.101404.02 | Automann | 2210-G-5389 | 122.281710.02 | Automann | 2210-Q-8155 |
| 122.101710.01 | Automann | R607086 | 122.281710.03 | Automann | 2210-C-6867 |
| 122.101710.02 | Automann | R607085 | 122.281710.04 | Automann | 2210-B-6866 |
| 122.101724.01 | Automann | R607094 | 122.282013.01 | Automann | 2210-T-8158 |
| 122.101724.02 | Automann | R607093 | 122.282013.02 | Automann | 2210-S-8157 |
| 122.102013.01 | Automann | R607070 | 122.282402.02 | Automann | 2210-N-4330 |
| 122.102013.02 | Automann | R607069 | 122.282402.02 | Automann | 2210-U-8159 |
| 122.102212.01 | Automann | 2210-J-2948 | 122.282402.03 | Automann | 2210-E-6869 |
| 122.102402.01 | Automann | R607068 | 12236 | Eaton | 2210-J-7524 |
| 122.102402.02 | Automann | R607067 | 12247 | Budd | R005558R |
| 122.280723.01 | Automann | 2210-L-7396 | 12247/48 | Budd | R005558R |
| 122.280723.02 | Automann | 2210-K-7395 | 12248 | Budd | R005558L |
| 122.280802.02 | Automann | 2210-G-5337 | 1227V464 | S&S Truck | 1227-V-464 |
| 122.280802.02 | Automann | 2210-X-7408 | 123 | Sirco Brake | R005571AG |
| 122.280802.03 | Automann | 2210-Y-7409 | 123.101512.01 | Automann | R607173 |
| 122.280818.01 | Automann | 2210-Q-7427 | 123.101512.02 | Automann | R607174 |
| 122.280818.03 | Automann | 2210-Q-7427 | 123.102012.01 | Automann | R607175 |
| 122.280818.04 | Automann | 2210-P-7426 | 123.102012.02 | Automann | R607176 |
| 122.280902.01 | Automann | 2210-G-7443 | 123.102104.01 | Automann | R607006 |
| 122.280902.02 | Automann | 2210-U-5455 | 123.102104.01 | Automann | R607006 |
| 122.280902.02 | Automann | 2210-F-7442 | 123.102104.02 | Automann | R607005 |
| 122.280908.01 | Automann | 2210-M-7449 | 123.102308.01 | Automann | R607010 |
| 122.280914.04 | Automann | 2210-S-7455 | 123.102308.02 | Automann | R607009 |
| 122.280914.05 | Automann | 2210-U-7457 | 123.102316.01 | Automann | R607177 |
| 122.280914.06 | Automann | 2210-T-7456 | 123.102316.02 | Automann | R607178 |
| 122.281006.01 | Automann | 2210-U-7483 | 123.102608.01 | Automann | R607191 |
| 122.281006.02 | Automann | 2210-T-7482 | 123.102608.02 | Automann | R607192 |
| 122.281013.01 | Automann | 2210-E-7493 | 123.102616.01 | Automann | R607193 |
| 122.281030.01 | Automann | 2210-A-7515 | 123.102616.02 | Automann | R607194 |
| 122.281030.02 | Automann | 2210-Z-7514 | 123.281706.01 | Automann | R607195 |
| 122.281104.01 | Automann | 2210-J-7524 | 123.281706.02 | Automann | R607196 |
| 122.281104.02 | Automann | 2210-H-7522 | 123.281712.01 | Automann | R607221 |
| 122.281104.03 | Automann | 2210-J-7524 | 123.281712.02 | Automann | R607222 |
| 122.281104.04 | Automann | 2210-H-7522 | 123.281714.01 | Automann | R607179 |
| 122.281118.03 | Automann | 2210-W-7537 | 123.281714.02 | Automann | R607180 |
| 122.281118.04 | Automann | 2210-V-7536F | 123.281714.03 | Automann | R607228 |
| 122.281118.04 | Automann | 2210-V-7536 | 123.281714.04 | Automann | R607227 |
| 122.281122.03 | Automann | 2210-C-7543 | 123.282012.01 | Automann | R607169 |
| 122.281130.01 | Automann | 2210-L-7552 | 123.282012.02 | Automann | R607170 |
| 122.281130.02 | Automann | 2210-K-7551 | 123.282014.01 | Automann | R607181 |
| 122.281214.03 | Automann | 2210-C-7569 | 123.282014.02 | Automann | R607182 |
| 122.281230.01 | Automann | 2210-U-7587 | 123.282014.03 | Automann | R607229 |
| 122.281230.04 | Automann | 2210-T-7586 | 123.282014.04 | Automann | R607230 |
| 122.281307.01 | Automann | 2210-C-7595 | 123.282228.01 | Automann | R607189 |
| 122.281307.03 | Automann | 2210-C-7595 | 123.282228.02 | Automann | R607190 |
| 122.281307.04 | Automann | 2210-B-7594 | 123.282230.01 | Automann | R607197 |
| 122.281314.02 | Automann | 2210-K-7837 | 123.282230.02 | Automann | R607198 |
| 122.281314.03 | Automann | 2210-L-7838 | 123.282314.01 | Automann | R607171 |
| 122.281314.04 | Automann | 2210-K-7837 | 123.282314.02 | Automann | R607172 |
| 122.281403.03 | Automann | 2210-J-7628 | 123.282318.01 | Automann | R607183 |
| 122.281403.04 | Automann | 2210-H-7626 | 123.282318.02 | Automann | A-3222-F-1982 |

CROSS REFERENCE

| PART# | COMPETITOR | MERITOR# | PART# | COMPETITOR | MERITOR# |
|---------------|------------|-------------|-------------|----------------|---------------|
| 123.282318.02 | Automann | R607184 | 12424 | Spicer | 1229-G-475 |
| 123.282318.03 | Automann | R607231 | 12425 | Dana | R002298 |
| 123.282318.04 | Automann | R607232 | 12425 | Spicer | 1229-F-474 |
| 123.282402.01 | Automann | R607277 | 12426 | Dana | R002296 |
| 123.282402.02 | Automann | R607278 | 12426 | Spicer | 1227-B-106 |
| 123.282402.03 | Automann | R607199 | 12427 | Dana | 1227-F-162 |
| 123.282402.04 | Automann | R607200 | 12428 | Dana | R002301 |
| 123.282630.01 | Automann | R607225 | 12431 | Dana | 1229-H-476 |
| 123.282630.02 | Automann | R607226 | 12434 | Spicer | R002462 |
| 123.282630.03 | Automann | R607233 | 12435 | Spicer | R002461 |
| 123.282630.04 | Automann | R607234 | 12437 | Spicer | R002465 |
| 12391 | Dana | R000540 | 12438 | Spicer | R002464 |
| 12392 | Spicer | R000573 | 12439 | Spicer | R002463 |
| 12393 | Dana | R000572 | 12440 | Spicer | R002468 |
| 12394 | Spicer | R002237 | 12441 | Spicer | R002467 |
| 12396 | Dana | 1227-B-678 | 12443 | Spicer | R003504 |
| 12397 | Dana | R001252 | 12444 | Spicer | R003505 |
| 12397 | Spicer | 1229-T-1996 | 12445 | Spicer | R003506 |
| 12398 | Dana | R001251 | 12449 | Spicer | 1229-C-1693 |
| 12398 | Spicer | 1227-Z-676 | 12450 | Spicer | R003507 |
| 12399 | Dana | R002128 | 12451 | Eaton | 1229-J-868 |
| 123B | H.D.A. | R005571AG | 12451 | Spicer | R003508 |
| 124.101616.01 | Automann | 2210-Y-6317 | 12452 | Spicer | R003509 |
| 124.101616.02 | Automann | 2210-X-6316 | 12453 | Spicer | R003501 |
| 124.101820.01 | Automann | R607084 | 125 | Sirco Brake | R005551L |
| 124.101820.02 | Automann | R607083 | 125030 | Eaton Top Spec | R607046 |
| 124.102014.01 | Automann | 2210-N-2484 | 125031 | Eaton Top Spec | R607045 |
| 124.102014.01 | Automann | R607082 | 125034 | Eaton Top Spec | R607026 |
| 124.102014.02 | Automann | 2210-M-2483 | 125035 | Eaton Top Spec | R607025 |
| 124.102014.02 | Automann | R607081 | 125042 | Eaton | R607048 |
| 124.102103.01 | Automann | 2210-A-6319 | 125042 | Eaton Top Spec | R607048 |
| 124.102103.02 | Automann | 2210-Z-6318 | 125043 | Eaton | R607047 |
| 124.102228.01 | Automann | 2210-A-6345 | 125629 | Gunite | R005008 |
| 124.102228.01 | Automann | R607056 | 12601 | Eaton | 2210-H-7522 |
| 124.102228.02 | Automann | 2210-Z-6344 | 1262001 | Anchorlok | 2797-D-56 |
| 124.102228.02 | Automann | R607055 | 12632 | Dayton Parts | R670025 |
| 124.102314.01 | Automann | R607002 | 1267751 | Chrysler | R002435 |
| 124.102314.02 | Automann | R607001 | 1267752 | Chrysler | R005960 |
| 124.102400.01 | Automann | R607042 | 1270823 | Chrysler | R005743 |
| 124.102400.02 | Automann | R607041 | 1272771 | Chrysler | R004988L |
| 12400 | Spicer | R002550 | 1272772 | Chrysler | R004988R |
| 12402 | Spicer | R001561 | 127808 | Bendix | R615002 |
| 12403 | Spicer | R001559 | 127808 | Eaton | R615002 |
| 12406 | Spicer | R002306 | 127808 | Eaton | R615015 |
| 12407 | Spicer | R000540 | 1290/327 | Brunner/Semac | R700327 |
| 12408 | Dana | 1227-U-515 | 13005R | Dayton Parts | R007895R |
| 12410 | Dana | 1227-D-446 | 1307T | Dana | A-3222-K-1103 |
| 12412 | Dana | 1229-G-1021 | 1307T | Rome | A-3222-K-1103 |
| 12415 | Dana | 1229-R-1058 | 1308A/458 | Brunner/Semac | R700458 |
| 12415 | Spicer | R002424 | 1308D/585 | Brunner/Semac | A-3222-F-1072 |
| 12417 | Dana | R002303 | 1308D585 | Brunner/Semac | A-3222-F-1072 |
| 12417 | Spicer | 1227-W-517 | 1308E | Dana | A-3722-N-66 |
| 12418 | Dana | R002304 | 1308E | Rome | R1308E |
| 12418 | Spicer | 1229-U-1009 | 1308E | Spicer | R1308E |
| 12419 | Dana | R002305 | 1308T | Dana | A-3222-F-1072 |
| 12419 | Spicer | 1227-R-330 | 13096 | Budd | R005556R |
| 12420 | Dana | 1227-A-547 | 13097 | Budd | R005556L |
| 12422 | Dana | 1227-P-328 | 130Spicer19 | Mack | R002431 |
| 12423 | Dana | R002299 | 131001L | Dayton Parts | R005558L |
| 12423 | Spicer | 1227-U-541 | 131001R | Dayton Parts | R005558R |
| 12424 | Dana | R002297 | 131002L | Dayton Parts | R005556L |

CROSS REFERENCE

| PART# | COMPETITOR | MERITOR# | PART# | COMPETITOR | MERITOR# |
|--------------|-------------------|-----------------|--------------|-------------------|-----------------|
| 131002R | Dayton Parts | R005556R | 131122L | Dayton Parts | R008947L |
| 131003L | Dayton Parts | R005559L | 131122R | Dayton Parts | R008947R |
| 131003R | Dayton Parts | R005559R | 131123L | Dayton Parts | R009003L |
| 131004L | Dayton Parts | R005561L | 131123R | Dayton Parts | R009003R |
| 131004R | Dayton Parts | R005561R | 131126L | Dayton Parts | R0010206L |
| 131005L | Dayton Parts | R005560L | 131126R | Dayton Parts | R0010206R |
| 131005R | Dayton Parts | R005560R | 131128L | Dayton Parts | R008969L |
| 131006L | Dayton Parts | R005551L | 131128R | Dayton Parts | R008969R |
| 131006R | Dayton Parts | R005551R | 131129L | Dayton Parts | R008979L |
| 131007L | Dayton Parts | R005585L | 131129R | Dayton Parts | R008979R |
| 131007R | Dayton Parts | R005585R | 131130L | Dayton Parts | R008978L |
| 131008L | Dayton Parts | R005553L | 131130R | Dayton Parts | R008978R |
| 131008R | Dayton Parts | R005553R | 131131R | Dayton Parts | R0010202R |
| 131009L | Dayton Parts | R005557L | 131133L | Dayton Parts | R008983L |
| 131009R | Dayton Parts | R005557R | 131133R | Dayton Parts | R008983R |
| 131014L | Dayton Parts | R001014L | 131135L | Dayton Parts | R008968L |
| 131014R | Dayton Parts | R001014R | 131135R | Dayton Parts | R008968R |
| 131017L | Dayton Parts | R005989L | 131139L | Dayton Parts | R008977L |
| 131017R | Dayton Parts | R005989R | 131139R | Dayton Parts | R008977R |
| 131018L | Dayton Parts | R006023L | 131140L | Dayton Parts | R009008L |
| 131018R | Dayton Parts | R006023R | 131140R | Dayton Parts | R009008R |
| 131019L | Dayton Parts | R005929L | 131143L | Dayton Parts | R009003L |
| 131019R | Dayton Parts | R005929R | 131143R | Dayton Parts | R009003R |
| 131021L | Dayton Parts | R005930L | 131144L | Dayton Parts | R004968L |
| 131021R | Dayton Parts | R005930R | 131144R | Dayton Parts | R004968R |
| 131035R | Dayton Parts | R005589R | 131146L | Dayton Parts | R008982L |
| 131037L | Dayton Parts | R005931L | 131146R | Dayton Parts | R008982R |
| 131037R | Dayton Parts | R005931R | 131156L | Dayton Parts | R0010209L |
| 131038L | Dayton Parts | R005932L | 131156R | Dayton Parts | R0010209R |
| 131038R | Dayton Parts | R005932R | 131157L | Dayton Parts | R0010208L |
| 131040L | Dayton Parts | R005933L | 131157R | Dayton Parts | R0010208R |
| 131040R | Dayton Parts | R005933R | 131158L | Dayton Parts | R0010210L |
| 131042R | Dayton Parts | R006024R | 131158R | Dayton Parts | R0010210R |
| 131101R | Dayton Parts | R004964R | 131168L | Dayton Parts | R008958L |
| 131102L | Dayton Parts | R004965L | 131168R | Dayton Parts | R008958R |
| 131102R | Dayton Parts | R004965R | 131171L | Dayton Parts | R008957L |
| 131103L | Dayton Parts | R004966L | 131171R | Dayton Parts | R008957R |
| 131103R | Dayton Parts | R004966R | 131173L | Dayton Parts | R008955L |
| 131104L | Dayton Parts | R004968L | 131173R | Dayton Parts | R008955R |
| 131104R | Dayton Parts | R004968R | 131176L | Dayton Parts | R008954L |
| 131105L | Dayton Parts | R004969L | 131176R | Dayton Parts | R008954R |
| 131105R | Dayton Parts | R004969R | 131177L | Dayton Parts | R009011L |
| 131106L | Dayton Parts | R005757L | 131177R | Dayton Parts | R009011R |
| 131106R | Dayton Parts | R005757R | 131180L | Dayton Parts | R008992L |
| 131107L | Dayton Parts | R004967L | 131180R | Dayton Parts | R008992R |
| 131107R | Dayton Parts | R004967R | 131181L | Dayton Parts | R008993L |
| 131108L | Dayton Parts | R005765L | 131181R | Dayton Parts | R008993R |
| 131108R | Dayton Parts | R005765R | 131182L | Dayton Parts | R008994L |
| 131110L | Dayton Parts | R005766L | 131182R | Dayton Parts | R008994R |
| 131110R | Dayton Parts | R005766R | 131201L | Dayton Parts | R005718L |
| 131111L | Dayton Parts | R005764L | 131201R | Dayton Parts | R005718R |
| 131112L | Dayton Parts | R005870L | 131202L | Dayton Parts | R005719L |
| 131112R | Dayton Parts | R005870R | 131202R | Dayton Parts | R005719R |
| 131113L | Dayton Parts | R005756L | 131203L | Dayton Parts | R005720L |
| 131113R | Dayton Parts | R005756R | 131203R | Dayton Parts | R005720R |
| 131114L | Dayton Parts | R005869L | 131204L | Dayton Parts | R005910L |
| 131114R | Dayton Parts | R005869R | 131204R | Dayton Parts | R005910R |
| 131116L | Dayton Parts | R004968L | 131205L | Dayton Parts | R005911L |
| 131116R | Dayton Parts | R004968R | 131205R | Dayton Parts | R005911R |
| 131120L | Dayton Parts | R004968L | 131206L | Dayton Parts | R005900L |
| 131120R | Dayton Parts | R004968R | 131206R | Dayton Parts | R005900R |

CROSS REFERENCE

| PART# | COMPETITOR | MERITOR# | PART# | COMPETITOR | MERITOR# |
|---------|--------------|-----------|-------------|--------------|-----------|
| 131208R | Dayton Parts | 20-X-348 | 131585R | Dayton Parts | R008949R |
| 131230L | Dayton Parts | R005871L | 131601L | Dayton Parts | R005897L |
| 131230R | Dayton Parts | R005871R | 131601R | Dayton Parts | R005897R |
| 131231L | Dayton Parts | R005896L | 131604L | Dayton Parts | R005749L |
| 131231R | Dayton Parts | R005896R | 131604R | Dayton Parts | R005749R |
| 131232L | Dayton Parts | R005983L | 131605L | Dayton Parts | R005748L |
| 131232R | Dayton Parts | R005983R | 131605R | Dayton Parts | R005748R |
| 131233L | Dayton Parts | R005909L | 131608R | Dayton Parts | R005750L |
| 131233R | Dayton Parts | R005909R | 131608R | Dayton Parts | R005750R |
| 131234L | Dayton Parts | R005987L | 131609L | Dayton Parts | R005985L |
| 131234R | Dayton Parts | R005987R | 131609R | Dayton Parts | R005985R |
| 131235L | Dayton Parts | R006057L | 131610L | Dayton Parts | R005898L |
| 131235R | Dayton Parts | R006057R | 131610R | Dayton Parts | R005898R |
| 131236L | Dayton Parts | R005721L | 131612L | Dayton Parts | R005899L |
| 131236R | Dayton Parts | R005721R | 131612R | Dayton Parts | R005899R |
| 131250L | Dayton Parts | R008999L | 131616L | Dayton Parts | R005868L |
| 131251L | Dayton Parts | 20-X-1283 | 131616R | Dayton Parts | R005868R |
| 131254L | Dayton Parts | R005722L | 131617L | Dayton Parts | R008995L |
| 131254R | Dayton Parts | R005722R | 131617R | Dayton Parts | R008995R |
| 131255R | Dayton Parts | 20-X-1790 | 131618L | Dayton Parts | R005982L |
| 131273L | Dayton Parts | R009010L | 131618R | Dayton Parts | R005982R |
| 131273R | Dayton Parts | R009010R | 131620L | Dayton Parts | R008996L |
| 131301L | Dayton Parts | R005713L | 131620R | Dayton Parts | R008996R |
| 131301R | Dayton Parts | R005713R | 131621L | Dayton Parts | R009001L |
| 131302L | Dayton Parts | R005714L | 131621R | Dayton Parts | R009001R |
| 131302R | Dayton Parts | R005714R | 131622L | Dayton Parts | R005986L |
| 131303L | Dayton Parts | R005715L | 131622R | Dayton Parts | R005986R |
| 131303R | Dayton Parts | R005715R | 131623L | Dayton Parts | R001623L |
| 131304L | Dayton Parts | R005716L | 131623R | Dayton Parts | R001623R |
| 131304R | Dayton Parts | R005716R | 131625L | Dayton Parts | R008966L |
| 131305L | Dayton Parts | R005589L | 131625R | Dayton Parts | R008966R |
| 131305R | Dayton Parts | R005589R | 131626L | Dayton Parts | R006033L |
| 131306L | Dayton Parts | R008948L | 131626R | Dayton Parts | R006033R |
| 131306R | Dayton Parts | R008948R | 131627L | Dayton Parts | R008990L |
| 131309R | Dayton Parts | 20-X-1750 | 131627R | Dayton Parts | R008990R |
| 131410L | Dayton Parts | R003723L | 131630L | Dayton Parts | R008972L |
| 131410R | Dayton Parts | R003723R | 131630R | Dayton Parts | R008972R |
| 131411L | Dayton Parts | R005935L | 131635L | Dayton Parts | R008985L |
| 131411R | Dayton Parts | R005935R | 131635R | Dayton Parts | R008985R |
| 131412L | Dayton Parts | R005936L | 131660L | Dayton Parts | R0010225L |
| 131412R | Dayton Parts | R005936R | 131660R | Dayton Parts | R0010225R |
| 131413L | Dayton Parts | R005937L | 131680L | Dayton Parts | 20-X-1423 |
| 131414L | Dayton Parts | R005990L | 131680R | Dayton Parts | 20-X-1422 |
| 131414R | Dayton Parts | R005990R | 131Spicer31 | Mack | R002435 |
| 131419L | Dayton Parts | R005990L | 131Spicer47 | Mack | R002438 |
| 131419L | Dayton Parts | R008951L | 131Spicer59 | Mack | R002340 |
| 131419R | Dayton Parts | R005990R | 132202L | Dayton Parts | 20-X-461 |
| 131419R | Dayton Parts | R008951R | 132202R | Dayton Parts | 20-X-460 |
| 131474L | Dayton Parts | R008976L | 132203L | Dayton Parts | 20-X-469 |
| 131474R | Dayton Parts | R008976R | 132203R | Dayton Parts | 20-X-468 |
| 131502L | Dayton Parts | R004988L | 132320L | Dayton Parts | R005923L |
| 131502R | Dayton Parts | R004988R | 132320R | Dayton Parts | R005923R |
| 131505L | Dayton Parts | R005588L | 132321L | Dayton Parts | R005916L |
| 131505R | Dayton Parts | R005588R | 132321R | Dayton Parts | R005916R |
| 131506L | Dayton Parts | R005618L | 132322L | Dayton Parts | R009000L |
| 131506R | Dayton Parts | R005618R | 132322R | Dayton Parts | R009000R |
| 131511L | Dayton Parts | R0010213L | 132323L | Dayton Parts | R005924L |
| 131511R | Dayton Parts | R0010213R | 132323R | Dayton Parts | R005924R |
| 131512L | Dayton Parts | R0010214L | 132324R | Dayton Parts | 20-X-1306 |
| 131512R | Dayton Parts | R0010214R | 132325L | Dayton Parts | R009002L |
| 131585L | Dayton Parts | R008949L | 132325R | Dayton Parts | R009002R |

CROSS REFERENCE

| PART# | COMPETITOR | MERITOR# | PART# | COMPETITOR | MERITOR# |
|-----------------|--------------|--------------|-----------|--------------|------------|
| 132326L | Dayton Parts | R009005L | 133016R | Dayton Parts | R005579R |
| 132326R | Dayton Parts | R009005R | 133017L | Dayton Parts | R005576L |
| 132327L | Dayton Parts | R009004L | 133017R | Dayton Parts | R005576R |
| 132327R | Dayton Parts | R009004R | 133018L | Dayton Parts | R005577L |
| 132334R | Dayton Parts | 20-X-1976 | 133018R | Dayton Parts | R005577R |
| 132372L | Dayton Parts | R006026L | 133019L | Dayton Parts | R006060L |
| 132372R | Dayton Parts | R006026R | 133019R | Dayton Parts | R006060R |
| 132373L | Dayton Parts | R006028L | 133020L | Dayton Parts | R005988L |
| 132373R | Dayton Parts | R006028R | 133020R | Dayton Parts | R005988R |
| 132374L | Dayton Parts | R006058L | 133021L | Dayton Parts | R005977L |
| 132374R | Dayton Parts | R006058R | 133021R | Dayton Parts | R005977R |
| 132375L | Dayton Parts | R006059L | 133023L | Dayton Parts | R005988L |
| 132375R | Dayton Parts | R006059R | 133023R | Dayton Parts | R005988R |
| 132376L | Dayton Parts | R006027L | 133026L | Dayton Parts | R005988L |
| 132376R | Dayton Parts | R006027R | 133026LB | Dayton Parts | R005988LBK |
| 132386R | Dayton Parts | R008952R | 133026LQ | Dayton Parts | R005988LBK |
| 132401L | Dayton Parts | R005922L | 133026LQ | Dayton Parts | R005988LBK |
| 132401R | Dayton Parts | R005922R | 133026R | Dayton Parts | R005988R |
| 132440L | Dayton Parts | R005918L | 133026R | Dayton Parts | R005988R |
| 132440R | Dayton Parts | R005918R | 133026RBK | Dayton Parts | R005988RBK |
| 132442L | Dayton Parts | R005920L | 133026RQ | Dayton Parts | R005988RBK |
| 132442R | Dayton Parts | R005920R | 133027R | Dayton Parts | R007897R |
| 132501L | Dayton Parts | 20-X-511 | 133028L | Dayton Parts | R007896L |
| 132501R | Dayton Parts | 20-X-512 | 133028L | Dayton Parts | R007896L |
| 132503L | Dayton Parts | 20-X-1825 | 133028LQP | Dayton Parts | R007896LPL |
| 132503R | Dayton Parts | 20-X-1826 | 133028R | Dayton Parts | R007896R |
| 132551L | Dayton Parts | R008946L | 133028R | Dayton Parts | R007896R |
| 132551R | Dayton Parts | R008946R | 133028RQP | Dayton Parts | R007896RPL |
| 132561R | Dayton Parts | R005612R | 133029L | Dayton Parts | R007897L |
| 132976L | Dayton Parts | R002976L | 133029R | Dayton Parts | R007897R |
| 132976R | Dayton Parts | R002976R | 133029R | Dayton Parts | R007897R |
| 1330001 | World Truck | R005961 | 133042L | Dayton Parts | R004975L |
| 1330006 | World Truck | R005964 | 133042R | Dayton Parts | R004975R |
| 133005L | Dayton Parts | R007895L | 133047R | Dayton Parts | R009022R |
| 133005LBK | Dayton Parts | R007895LBK | 133054L | Dayton Parts | R005995L |
| 133005LQ | Dayton Parts | R007895LQ | 133054R | Dayton Parts | R005995R |
| 133005R | Dayton Parts | R007895R | 133055L | Dayton Parts | R005996L |
| 133005RBK | Dayton Parts | R007895RBK | 133055R | Dayton Parts | R005996R |
| 133005RQ | Dayton Parts | R007895RQ | 13311002 | World Truck | R005008 |
| 133007L | Dayton Parts | R007897L | 13311003 | World Truck | R005007 |
| 133007L/133029L | Dayton Parts | R007897L | 133130L | Dayton Parts | R003130L |
| 133007R | Dayton Parts | R007897R | 133130R | Dayton Parts | R003130R |
| 133007R/133029R | Dayton Parts | Dayton Parts | 1332003L | World Truck | R005978L |
| R007897R | | | 1332003R | World Truck | R005978R |
| 133008L | Dayton Parts | R007896L | 1332004R | World Truck | R005988R |
| 133008L/133028L | Dayton Parts | R007896L | 1333003L | World Truck | R005996L |
| 133008R | Dayton Parts | R007896R | 1333003R | World Truck | R005996R |
| 133008R/133028R | Dayton Parts | Dayton Parts | 1333004L | World Truck | R005554L |
| R007896R | | | 1333004R | World Truck | R005554R |
| 133010L | Dayton Parts | R007898L | 1333005L | World Truck | R005995L |
| 133010R | Dayton Parts | R007898R | 1333005R | World Truck | R005995R |
| 133012L | Dayton Parts | R005977L | 1333006L | World Truck | R005652L |
| 133012LBK | Dayton Parts | R005977LBK | 1333006R | World Truck | R005652R |
| 133012LQ | Dayton Parts | R005977LQ | 1334001L | World Truck | R005579L |
| 133012LZ | Dayton Parts | 1199-M-117 | 1334002L | World Truck | R005578L |
| 133012R | Dayton Parts | R005977R | 1334002R | World Truck | R005577R |
| 133012RBK | Dayton Parts | R005977RBK | 1335001R | World Truck | R005576R |
| 133012RZ | Dayton Parts | 1199-N-118 | 1336001 | World Truck | R006000A |
| 133013L | Dayton Parts | R005652L | 133609 | Webb | R005868L |
| 133013R | Dayton Parts | R005652R | 133610 | Webb | R005868R |
| 133016L | Dayton Parts | R005579L | 1337001 | World Truck | R005991 |

CROSS REFERENCE

| PART# | COMPETITOR | MERITOR# | PART# | COMPETITOR | MERITOR# |
|------------|--------------|------------------|----------|-------------|-------------|
| 1338002 | World Truck | R005734 | 144ABULK | Spicer | R509001 |
| 1338003 | World Truck | R005892 | 14569 | Eaton | R002437 |
| 1339001 | World Truck | R005708 | 14793 | Eaton | 2210-S-8157 |
| 1339005R | World Truck | R009022R | 149 | Sirco Brake | R004962 |
| 133909LC | World Truck | 1199-M-117 | 149A | Sirco Brake | R004962 |
| 133909RC | World Truck | 1199-N-118 | 14A | Spicer | R509001 |
| 134.1010 | Automann | R824009 | 1508989 | Chrysler | R005737 |
| 134.1014 | Automann | R823005 | 1510006 | World Truck | R005799 |
| 134.1031 | Automann | R824001 | 1510007 | World Truck | R005800 |
| 134.104 | Automann | R823000 | 1510008 | World Truck | R005801 |
| 134.1041 | Automann | R824000 | 1511006 | World Truck | R005946 |
| 134.1042 | Automann | R002091 | 1511011 | World Truck | R005872 |
| 134.2410 | Automann | R825020 | 1512004 | World Truck | R005954 |
| 134.2831 | Automann | R823003 | 1512005 | World Truck | R005955 |
| 134.2831 | Automann | R824004 | 1513001 | World Truck | R004942 |
| 134.2841 | Automann | A-43275-X-596 | 1513002 | World Truck | R004943 |
| 134.2841 | Automann | R823002 | 1513005 | World Truck | R004946 |
| 134.2841 | Automann | R824003 | 1513007 | World Truck | R004948 |
| 134.2842 | Automann | A-3275-J-686 | 1513008 | World Truck | R004949 |
| 134.3741 | Automann | R824007 | 1513010 | World Truck | R005702 |
| 134002Q | Dayton Parts | R005571AG | 1513011 | World Truck | R004951 |
| 134050 | Dayton Parts | R005046 | 1513012 | World Truck | R004952 |
| 135.1031 | Automann | R806022 | 1513013 | World Truck | R004953 |
| 135.284 | Automann | R806019 | 15158 | Eaton | 2210-V-8160 |
| 135.374 | Automann | R806020 | 151A | Spicer | R509063 |
| 13547 | Eaton | 1229-X-1116 | 152026 | Webb | R005799 |
| 136003BK | Dayton Parts | R004956ABK | 1540001L | World Truck | R005713L |
| 136003Q | Dayton Parts | R004956ABK | 1540001R | World Truck | R005713R |
| 136520 | Dayton Parts | R005970 | 1540003L | World Truck | R005715L |
| 137007 | Dayton Parts | R007014 | 1540003R | World Truck | R005715R |
| 138 | Sirco Brake | R005904AG | 1540004L | World Truck | R005716L |
| 138004BK | Dayton Parts | R004963BK | 1540004R | World Truck | R005716R |
| 138004Q | Dayton Parts | R004963BK | 1540005L | World Truck | R005717L |
| 13988 | Budd | R005559R | 1541001L | World Truck | R005558L |
| 13989 | Budd | R005559L | 1541001R | World Truck | R005558R |
| 13990 | Budd | R005561R | 1541006L | World Truck | R005551L |
| 139902 | Webb | R005561R | 1541006R | World Truck | R005551R |
| 13991 | Budd | R005561L | 1541009L | World Truck | R006023L |
| 139913 | Webb | R005561L | 1541009R | World Truck | R006023R |
| 142.130881 | Automann | A-3222-F-1072 | 1541012R | World Truck | R006024R |
| 142.43118 | Automann | R4311 | 1541101R | World Truck | 20-X-1976 |
| 142.45148 | Automann | A-3222-X-1142 | 1541204L | World Truck | R005868L |
| 142.451480 | Automann | A-3722-L-64 | 1541204R | World Truck | R005868R |
| 142.451481 | Automann | A-3222-C-1381 | 1541208L | World Truck | R006033L |
| 142.451580 | Automann | A-3222-A-1717 | 1541208R | World Truck | R006033R |
| 142.451582 | Automann | R4515F3 | 1541209L | World Truck | R005986L |
| 142.451582 | Automann | R704516 | 1541209R | World Truck | R005986R |
| 142.451583 | Automann | A-3722-N-66 | 1541301L | World Truck | R005982L |
| 142.451584 | Automann | A-3222-S-1293 | 1541301R | World Truck | R005982R |
| 142.451584 | Automann | A-91-3222-S-1293 | 15414 | Webb | R005570 |
| 142.452480 | Automann | A-3722-D-82 | 1541405R | Wagner | R005900R |
| 142.452481 | Automann | A-3222-E-1383 | 1541406L | World Truck | R005896L |
| 142.47028 | Automann | A-3222-D-2006 | 1541406R | World Truck | R005896R |
| 142022 | Webb | R005796 | 1541407L | World Truck | R005987L |
| 142A | Spicer | MKT-4515P | 1541407R | World Truck | R005987R |
| 142A | Spicer | R509001 | 1541408L | World Truck | R006057L |
| 143A | Spicer | MKT-4515P | 1541408R | World Truck | R006057R |
| 143A | Spicer | R509000 | 1541501L | World Truck | R005983L |
| 143ABULK | Spicer | MKT-4515P | 1541501R | World Truck | R005983R |
| 14427 | Eaton | 2210-T-8158 | 1541604R | World Truck | R005910R |
| 144A | Spicer | R509001 | 1541605R | World Truck | R005911R |

CROSS REFERENCE

| PART# | COMPETITOR | MERITOR# | PART# | COMPETITOR | MERITOR# |
|----------|-------------|----------|------------|-------------|-------------|
| 1541606R | World Truck | R005721R | 15429001 | World Truck | R004955 |
| 1541608L | World Truck | R005722L | 15429004 | World Truck | R005726 |
| 1541701R | Wagner | R004964R | 15429005 | World Truck | R005727 |
| 1541703L | World Truck | R004966L | 15429007 | World Truck | R004956A |
| 1541703R | World Truck | R004966R | 15429008 | World Truck | R005706 |
| 1541706R | World Truck | R004969R | 15429009 | World Truck | R004957 |
| 1541707L | World Truck | R005869L | 15429010 | World Truck | R005728 |
| 1541707R | World Truck | R005869R | 15429011 | World Truck | R005729 |
| 1541801L | World Truck | R005764L | 1543001L | World Truck | R005875L |
| 1541802L | World Truck | R005870L | 1543001R | World Truck | R005875R |
| 1541802R | World Truck | R005870R | 15432001 | World Truck | R005887 |
| 1541806L | World Truck | R005756L | 1546006L | World Truck | R003728L |
| 1541806R | World Truck | R005756R | 1547001L | World Truck | R005935L |
| 1541807L | World Truck | R005765L | 1547001R | World Truck | R005935R |
| 1541807R | World Truck | R005765R | 1547002L | World Truck | R005936L |
| 1541808L | World Truck | R005757L | 1547002R | World Truck | R005936R |
| 1541808R | World Truck | R005757R | 1547003L | World Truck | R005937L |
| 1541809L | World Truck | R005766L | 1547003R | World Truck | R005937R |
| 1541809R | World Truck | R005766R | 1547004L | World Truck | R005990L |
| 15420001 | World Truck | R005682 | 1547004R | World Truck | R005990R |
| 15420002 | World Truck | R005683 | 1549003L | World Truck | R008948L |
| 1542001L | World Truck | R005929L | 1549003R | World Truck | R008948R |
| 1542001R | World Truck | R005929R | 1549009L | World Truck | R009000L |
| 1542002L | World Truck | R005930L | 1549009R | World Truck | R009000R |
| 1542002R | World Truck | R005930R | 1549012L | World Truck | R008985L |
| 1542003L | World Truck | R005931L | 1549012R | World Truck | R008985R |
| 1542003R | World Truck | R005931R | 1549013L | World Truck | R008990L |
| 1542004L | World Truck | R005932L | 1549013R | World Truck | R008990R |
| 1542004R | World Truck | R005932R | 1549014L | World Truck | R008996L |
| 1542005L | World Truck | R005933L | 1549014R | World Truck | R008996R |
| 1542005R | World Truck | R005933R | 1549015L | World Truck | R008972L |
| 1542007L | World Truck | R005989L | 1549015R | World Truck | R008972R |
| 1542007R | World Truck | R005989R | 1549017L | World Truck | R008995L |
| 15421002 | World Truck | R005632 | 1549017R | World Truck | R008995R |
| 1542201L | World Truck | R004988L | 15526 | Spicer | 1259-Q-251 |
| 1542201R | World Truck | R004988R | 15528 | Spicer | 1259-Q-251 |
| 1542202L | World Truck | R005588L | 15531 | Spicer | 1259-R-252 |
| 1542202R | World Truck | R005588R | 15532 | Spicer | 1259-N-1132 |
| 1542203R | World Truck | R005618R | 15533 | Dana | 1259-U-151 |
| 1542204L | World Truck | R005587L | 15536 | Spicer | R537005 |
| 1542301L | World Truck | R006026L | 15537 | Spicer | R537001 |
| 1542301R | World Truck | R006026R | 15540 | Dana | R537003 |
| 1542302L | World Truck | R006058L | 15542 | Dana | 1259-N-274 |
| 1542302R | World Truck | R006058R | 15556 | Spicer | R547018 |
| 1542303L | World Truck | R006027L | 15560 | Spicer | R547030 |
| 1542303R | World Truck | R006027R | 159183 | Webb | R008947L |
| 1542304L | World Truck | R006059L | 159184 | Webb | R008947R |
| 1542304R | World Truck | R006059R | 159190 | Webb | R009011R |
| 1542305L | World Truck | R006028L | 159191 | Webb | R009011L |
| 1542305R | World Truck | R006028R | 15QJ112BP2 | Mack | R005820 |
| 1542402R | World Truck | R005612R | 15QJ118P2 | Mack | R005044 |
| 1542403R | World Truck | R005613R | 15QJ118P3 | Mack | R005045 |
| 15425002 | World Truck | R005992A | 15QJ154A | Mack | R005571AG |
| 15425003 | World Truck | R005993 | 15QJ16 | Mack | R005827G |
| 15425004 | World Truck | R006001 | 15QJ16P3 | Mack | R005883 |
| 15427001 | World Truck | R005998 | 15QJ17P1 | Mack | R005828G |
| 15427002 | World Truck | R005997 | 15QJ17P3 | Mack | R005828G |
| 15427003 | World Truck | R005999 | 15QJ223AP | Mack | R005055 |
| 15428001 | World Truck | R006036 | 15QJ223CP3 | Mack | R005821G |
| 15428002 | World Truck | R006035 | 15QJ223CP5 | Mack | R005822 |
| 15428003 | World Truck | R006034 | 15QJ239 | Mack | R005890 |

CROSS REFERENCE

| PART# | COMPETITOR | MERITOR# | PART# | COMPETITOR | MERITOR# |
|----------|-------------|-------------|----------|----------------|-------------|
| 15QJ251 | Mack | R006053G | 1681020R | World Truck | R008957R |
| 16 | Black Max | 2797-B-106 | 1681021L | World Truck | R008954L |
| 160 | Sirco Brake | R006034 | 1681021R | World Truck | R008954R |
| 16003 | Budd | R005557R | 1681022R | World Truck | 20-X-781 |
| 16004 | Budd | R005557L | 1681023L | World Truck | R008977L |
| 161127 | Webb | R004958 | 1681023R | World Truck | R008977R |
| 16123 | Webb | R005571AG | 1681026L | World Truck | R008947L |
| 16129 | Webb | R005040AG | 1681026R | World Truck | R008947R |
| 16177 | Webb | R009024 | 1681028L | World Truck | R009008L |
| 161A | Spicer | R509001 | 1681028R | World Truck | R009008R |
| 162 | Sirco Brake | R006035 | 1681034L | World Truck | R008946L |
| 16271 | Budd | R005553R | 1681034R | World Truck | R008946R |
| 16272 | Budd | R005553L | 1681039L | World Truck | R008949L |
| 16395 | Spicer | R607041 | 1681039R | World Truck | R008949R |
| 16396 | Spicer | R607042 | 16856 | Budd | R005562R |
| 163A | Spicer | R509000 | 16857 | Budd | R005562L |
| 16407 | Spicer | 2210-Z-6344 | 1691004L | World Truck | R008951L |
| 16407 | Spicer | R607055 | 1691004R | World Truck | R008951R |
| 16408 | Spicer | 2210-A-6345 | 16915 | Eaton Top Spec | R607101 |
| 16408 | Spicer | R607056 | 16ABULK | Spicer | R509001 |
| 16470 | Dana | R607040 | 16AX820 | Mack | R007022 |
| 164A | Spicer | KIT-9017N | 16P | H.D.A. | R627009 |
| 164A | Spicer | R509000 | 1701003L | World Truck | R008952L |
| 164ABULK | Spicer | KIT-9017N | 1701003R | World Truck | R008952R |
| 164ABULK | Spicer | R509000 | 171027 | Webb | R004956A |
| 16524 | Dana | R607169 | 17123 | Budd | R005551R |
| 16563 | Dana | 1225-B-496 | 17124 | Budd | R005551L |
| 165642 | Haldex | R870037 | 171A | Spicer | R507011 |
| 1660001 | World Truck | R005736 | 17402 | Spicer | R607270 |
| 1660005 | World Truck | R005739 | 17403 | Spicer | R607269 |
| 1660008 | World Truck | R005742 | 17414 | Spicer | R607272 |
| 16617 | Spicer | R607093 | 17415 | Spicer | R607271 |
| 16618 | Spicer | R607094 | 17416 | Spicer | R607274 |
| 16655 | Dana | R607190 | 17417 | Spicer | R607273 |
| 16656 | Dana | R607189 | 17418 | Spicer | R607276 |
| 1670001 | World Truck | R005018 | 17419 | Spicer | R607275 |
| 1681006L | World Truck | R008983L | 17500 | Spicer | R607170 |
| 1681006R | World Truck | R008983R | 17501 | Spicer | R607169 |
| 1681007L | World Truck | R008969L | 17502 | Spicer | R607172 |
| 1681007R | World Truck | R008969R | 17503 | Spicer | R607171 |
| 1681008L | World Truck | R008982L | 17512 | Spicer | R607180 |
| 1681008R | World Truck | R008982R | 17513 | Spicer | R607179 |
| 1681009L | World Truck | R008968L | 17571 | Dana | R607040 |
| 1681009R | World Truck | R008968R | 17573 | Dana | R607094 |
| 1681010L | World Truck | R008979L | 17574 | Spicer | R607001 |
| 1681010R | World Truck | R008979R | 17575 | Dana | 2210-R-6388 |
| 1681011L | World Truck | R008994L | 17575 | Spicer | R607002 |
| 1681011R | World Truck | R008994R | 17577 | Dana | 2210-Y-6317 |
| 1681012L | World Truck | R008992L | 17579 | Dana | R607084 |
| 1681012R | World Truck | R008992R | 17581 | Dana | R607082 |
| 1681013L | World Truck | R008993L | 17582 | Dana | 2210-Z-6318 |
| 1681013R | World Truck | R008993R | 17583 | Dana | 2210-A-6319 |
| 1681014L | World Truck | R009011L | 17584 | Spicer | R607051 |
| 1681014R | World Truck | R009011R | 17585 | Dana | 2210-J-2948 |
| 1681016L | World Truck | R009010L | 17585 | Spicer | R607052 |
| 1681016R | World Truck | R009010R | 17586 | Spicer | R607041 |
| 1681017L | World Truck | R008958L | 17587 | Spicer | R607042 |
| 1681017R | World Truck | R008958R | 17588 | Spicer | R607033 |
| 1681018L | World Truck | R008955L | 17589 | Spicer | R607034 |
| 1681018R | World Truck | R008955R | 17590 | Dana | R607192 |
| 1681020L | World Truck | R008957L | 17591 | Dana | R607191 |

CROSS REFERENCE

| PART# | COMPETITOR | MERITOR# | PART# | COMPETITOR | MERITOR# |
|------------|-------------|-------------|----------|-------------|-------------|
| 17592 | Dana | R607194 | 184 | Sirco Brake | R004969L |
| 17593 | Dana | R607193 | 1850 | Haldex | R823000 |
| 17598 | Dana | R607051 | 18501 | Haldex | R823000 |
| 17599 | Dana | R607052 | 18502 | Haldex | R823000 |
| 17621 | Dana | R607011 | 18511 | Haldex | R823001 |
| 17623 | Dana | R607020 | 18536 | Haldex | R823008 |
| 17626 | Dana | 2210-Q-8155 | 18688 | Eaton | 1225-G-631 |
| 17628 | Dana | 2210-S-8157 | 18726 | Spicer | R607035 |
| 17630 | Dana | 2210-U-8159 | 18727 | Spicer | R607036 |
| 17631 | Dana | 2210-V-8160 | 18738 | Dana | R607015 |
| 17633 | Dana | R607070 | 18740 | Spicer | R607029 |
| 17633 | Spicer | R607070 | 18741 | Spicer | R607030 |
| 17635 | Dana | R607026 | 18742 | Dana | R607050 |
| 17636 | Spicer | R607045 | 18746 | Dana | R607037 |
| 17637 | Spicer | R607046 | 18780 | Eaton | KIT-970 |
| 17638 | Dana | R607047 | 188 | Sirco Brake | R009022R |
| 17642 | Dana | R607067 | 18802 | Dana | R607095 |
| 17642 | Spicer | R607067 | 18802 | Spicer | R607095 |
| 17660A | Spicer | 2210-D-6868 | 18804 | Dana | R607091 |
| 17661A | Spicer | 2210-E-6869 | 18804 | Spicer | 2210-W-5639 |
| 17682 | Dana | R607003 | 18805 | Dana | R607092 |
| 17684 | Dana | R607005 | 18805 | Spicer | R607092 |
| 17690 | Dana | R607009 | 18807 | Dana | R607078 |
| 17694 | Dana | R607007 | 18809 | Dana | R607072 |
| 17698 | Spicer | R607023 | 188108 | Webb | R005986R |
| 17699 | Spicer | R607024 | 188109 | Webb | R005986L |
| 17700 | Dana | 2210-C-6165 | 18811 | Dana | R607076 |
| 17700 | Spicer | 2210-D-6166 | 18812 | Dana | R607073 |
| 178910 | Webb | R005977R | 18813 | Dana | R607074 |
| 178921 | Webb | R005977L | 18815 | Dana | 2210-N-5422 |
| 179.YK5812 | Automann | 1245-C-185 | 18817 | Dana | 2210-H-5390 |
| 17924 | Spicer | R607316 | 18819 | Dana | R607090 |
| 17925 | Spicer | R607315 | 18821 | Dana | 2210-C-7595 |
| 17926 | Spicer | R607318 | 18822 | Spicer | 2210-K-7603 |
| 17927 | Spicer | R607317 | 18823 | Dana | 2210-L-7838 |
| 17930 | Dana | R607278 | 18823 | Spicer | 2210-L-7604 |
| 17930 | Spicer | R607278 | 18825 | Dana | 2210-Q-7427 |
| 17931 | Spicer | R607277 | 18827 | Dana | 2210-E-7493 |
| 17936 | Spicer | R607320 | 18829 | Dana | 2210-A-7515 |
| 17937 | Spicer | R607319 | 18829 | Spicer | 2210-E-7493 |
| 17946 | Spicer | R607322 | 18831 | Dana | 2210-J-7524 |
| 17947 | Spicer | R607321 | 18833 | Dana | 2210-W-7537 |
| 17958 | Eaton | 1225-L-1208 | 18835 | Dana | 2210-J-7628 |
| 17958 | Eaton | R617001 | 18837 | Dana | 2210-U-7587 |
| 179955 | Webb | R005991 | 18838 | Spicer | 2210-H-7626 |
| 180.10601 | Automann | R007118 | 18840 | Dana | 2210-Z-5408 |
| 180.10602 | Automann | R002434 | 18846 | Dana | 2210-B-5410 |
| 180.10604 | Automann | R002437 | 18857 | Spicer | 2210-G-6845 |
| 180.10606 | Automann | R002438 | 18A | Spicer | R507011 |
| 180.10608 | Automann | R002340 | 18AX1158 | Mack | R008966R |
| 180.10609 | Automann | R002433 | 18AX1159 | Mack | R008966L |
| 180.1061 | Automann | R002431 | 18AX340 | Mack | R005887 |
| 180.10611 | Automann | R002436 | 18AX423 | Mack | R005551R |
| 18090 | Haldex | 2797-B-1042 | 18AX424 | Mack | R005551L |
| 18120 | Haldex | 2797-D-56 | 18AX825 | Mack | R005558R |
| 18160 | Haldex | 2797-B-106 | 18AX826 | Mack | R005558L |
| 183 | Sirco Brake | R004969R | 18AX829 | Mack | R005556R |
| 18309 | Budd | R001014R | 18AX830 | Mack | R005556L |
| 18310 | Budd | R001014L | 18AX924 | Mack | R001415R |
| 183101 | Webb | R005589L | 18AX925 | Mack | R001415L |
| 183102 | Webb | R005589R | 18AX971 | Mack | R005751 |

CROSS REFERENCE

| PART# | COMPETITOR | MERITOR# | PART# | COMPETITOR | MERITOR# |
|-----------|-------------|---------------|-----------|------------|-----------|
| 18AX989 | Mack | R005557R | 201.3015 | Automann | R005991 |
| 18AX990 | Mack | R005557L | 201.3019L | Automann | R005579L |
| 19004 | Budd | R005560R | 201.3019R | Automann | R005579R |
| 19005 | Budd | R005560L | 201.6025L | Automann | R008993L |
| 190220 | Mack | R002951 | 201.6025R | Automann | R008993R |
| 191 | Sirco Brake | 20-X-1806 | 201.6026L | Automann | R008958L |
| 191 | Sirco Brake | R004965R | 201.6026R | Automann | R008958R |
| 19186 | Eaton | R002462 | 201.6031L | Automann | R008955L |
| 192 | Sirco Brake | R004965L | 201.6031R | Automann | R008955R |
| 1927774 | Chrysler | R005571AG | 201.6035L | Automann | R004965L |
| 19419 | Eaton | 1225-A-833 | 201.6035L | Automann | R004965L |
| 195693 | Webb | R005932R | 201.6035R | Automann | R004965R |
| 195694 | Webb | R005932L | 201.6035R | Automann | R004965R |
| 19784 | Eaton | 1225-B-834 | 201.6037L | Automann | R004966L |
| 19833 | Spicer | 2258-U-619 | 201.6037L | Automann | R004966L |
| 19851 | Dana | R567007 | 201.6037R | Automann | R004966R |
| 19854 | Dana | R567006 | 201.6037R | Automann | R004966R |
| 19857 | Spicer | R567011 | 201.6039L | Automann | R008983L |
| 19858 | Dana | R567011 | 201.6039R | Automann | R008983R |
| 19860 | Dana | 2258-Q-615 | 201.6042L | Automann | R004967L |
| 19863 | Dana | R567002 | 201.6042R | Automann | R004967R |
| 19866 | Dana | R567003 | 201.6043L | Automann | R008969L |
| 19870 | Spicer | R567023 | 201.6043R | Automann | R008969R |
| 19874 | Spicer | R567017 | 201.6045L | Automann | R008947L |
| 19877 | Spicer | R567028 | 201.6045R | Automann | R008947R |
| 19878 | Dana | 2258-K-349 | 201.6049L | Automann | R008982L |
| 19883 | Dana | 2258-U-619 | 201.6049R | Automann | R008982R |
| 19895 | Dana | 2258-G-579 | 201.6050L | Automann | R008968L |
| 19910 | Dana | 2258-Y-1273 | 201.6050R | Automann | R008968R |
| 19P | H.D.A. | R627002 | 201.6054L | Automann | R008979L |
| 20048 | Gunite | R004988R | 201.6054R | Automann | R008979R |
| 20049 | Gunite | R004988L | 201.6057L | Automann | R0010208L |
| 200870 | National | A-1205-Z-1534 | 201.6057R | Automann | R0010208R |
| 200919 | National | A-1205T1424 | 201.6062L | Automann | R0010210L |
| 201.1001L | Automann | 1199-K-115 | 201.6062R | Automann | R0010210R |
| 201.1001L | Automann | R007895L | 201.6063L | Automann | R008977L |
| 201.1001R | Automann | 1199-J-114 | 201.6063R | Automann | R008977R |
| 201.1001R | Automann | R007895R | 201.6064L | Automann | R0010206L |
| 201.1002L | Automann | R007896L | 201.6064R | Automann | R0010206R |
| 201.1002R | Automann | R007896R | 201.6067L | Automann | R004968L |
| 201.1003L | Automann | R007897L | 201.6067R | Automann | R004968R |
| 201.1003R | Automann | R007897R | 201.6069L | Automann | R004969L |
| 201.1004L | Automann | R003130L | 201.6069R | Automann | R004969R |
| 201.1004R | Automann | R003130R | 201.6071L | Automann | R005765L |
| 201.1006L | Automann | R005978L | 201.6071R | Automann | R005765R |
| 201.1006R | Automann | R005978R | 201.6073L | Automann | R005757L |
| 201.1007L | Automann | R005988L | 201.6073R | Automann | R005757R |
| 201.1007R | Automann | R005988R | 201.6074L | Automann | R005766L |
| 201.2001L | Automann | R005652L | 201.6074R | Automann | R005766R |
| 201.2001R | Automann | 1199-H-112 | 201.6075L | Automann | R005869L |
| 201.2001R | Automann | R005652R | 201.6075R | Automann | R005869R |
| 201.2003L | Automann | 1199-M-117 | 201.6082L | Automann | R006059L |
| 201.2003L | Automann | R005977L | 201.6082R | Automann | R006059R |
| 201.2003R | Automann | 1199-N-118 | 201.6086L | Automann | 20-X-1335 |
| 201.2003R | Automann | R005977R | 201.6086L | Automann | R005924L |
| 201.2006L | Automann | R0010254L | 201.6086R | Automann | R005924R |
| 201.2006R | Automann | R0010254R | 201.6097L | Automann | R008949L |
| 201.2009L | Automann | R005995L | 201.6097R | Automann | R008949R |
| 201.2009R | Automann | R005995R | 201.6103L | Automann | 20-X-832 |
| 201.201 | Automann | R005964 | 201.6103L | Automann | R005900L |
| 201.3014 | Automann | R006000A | 201.6103R | Automann | 20-X-831 |

CROSS REFERENCE

| PART# | COMPETITOR | MERITOR# | PART# | COMPETITOR | MERITOR# |
|-----------|------------|----------|------------|----------------|-----------------|
| 201.6103R | Automann | R005900R | 201.7003R | Automann | 20-X-38 |
| 201.6104L | Automann | 20-X-207 | 201.7003R | Automann | R005559R |
| 201.6104L | Automann | R005720L | 201.7004L | Automann | 20-X-53 |
| 201.6104R | Automann | 20-X-206 | 201.7004L | Automann | R005561L |
| 201.6104R | Automann | R005720R | 201.7004R | Automann | 20-X-52 |
| 201.6106L | Automann | R009010L | 201.7004R | Automann | R005561R |
| 201.6106R | Automann | R009010R | 201.7005L | Automann | R005560L |
| 201.6107L | Automann | R005987L | 201.7005R | Automann | R005560R |
| 201.6107L | Automann | R005987L | 201.7006L | Automann | R005551L |
| 201.6107R | Automann | R005987R | 201.7006R | Automann | R005551R |
| 201.6108L | Automann | 20-X-345 | 201.7007L | Automann | R005932L |
| 201.6108L | Automann | R005910L | 201.7007R | Automann | R005932R |
| 201.6108R | Automann | R005910R | 201.7010L | Automann | 20-X-67 |
| 201.6109L | Automann | 20-X-482 | 201.7010L | Automann | R005553L |
| 201.6109L | Automann | R005871L | 201.7010R | Automann | 20-X-66 |
| 201.6109R | Automann | 20-X-481 | 201.7010R | Automann | R005553R |
| 201.6109R | Automann | R005871R | 201.7011L | Automann | R005931L |
| 201.6111L | Automann | R006057L | 201.7011R | Automann | R005931R |
| 201.6111R | Automann | R006057R | 201.7027L | Automann | R005589L |
| 201.6111R | Automann | R006057R | 201.7027R | Automann | 20-X-602 |
| 201.6113L | Automann | R009525L | 201.7027R | Automann | R005589R |
| 201.6113R | Automann | R009525R | 201.7033 | Automann | 20-X-2128 |
| 201.6114L | Automann | R005896L | 201.7034L | Automann | R005922L |
| 201.6114R | Automann | R005896R | 201.7034R | Automann | R005922R |
| 201.6119L | Automann | R005983L | 201102 | Standard Forge | R700002 |
| 201.6119R | Automann | R005983R | 201103 | Standard Forge | R700003 |
| 201.6132 | Automann | R005997 | 201108001 | Standard Forge | A25-3222-D-1954 |
| 201.6133 | Automann | R005999 | 201118 | Standard Forge | A-3222-X-1142 |
| 201.6141 | Automann | R0010219 | 201118 | Standard Forge | A-3722-L-64 |
| 201.6149 | Automann | R006036 | 201130 | Standard Forge | A-3222-A-1717 |
| 201.615 | Automann | R008988 | 201132001 | Standard Forge | A-3222-L-1572 |
| 201.6151 | Automann | R006035 | 201140 | Standard Forge | R704591 |
| 201.6157 | Automann | R006034 | 201142 | Standard Forge | R700005 |
| 201.6158 | Automann | R008980 | 201144 | Dana | R700012 |
| 201.6159 | Automann | R008987 | 202100166L | Standard Forge | 2210-Y-6317 |
| 201.6162 | Automann | R005993 | 202100166R | Standard Forge | 2210-X-6316 |
| 201.6178L | Automann | R005986L | 202100175L | Standard Forge | R607032 |
| 201.6178R | Automann | R005986R | 202100175R | Standard Forge | R607031 |
| 201.6183L | Automann | R008996L | 202100177L | Standard Forge | R607094 |
| 201.6183R | Automann | R008996R | 202100177R | Standard Forge | R607093 |
| 201.6186L | Automann | R009001L | 202100185L | Standard Forge | R607064 |
| 201.6187L | Automann | R008972L | 202100185L | Standard Forge | R607101 |
| 201.6187R | Automann | R008972R | 202100185R | Standard Forge | R607063 |
| 201.6191L | Automann | R006033L | 202100185R | Standard Forge | R607102 |
| 201.6191R | Automann | R006033R | 202100187L | Standard Forge | R607084 |
| 201.6193L | Automann | R005982L | 202100187R | Standard Forge | R607083 |
| 201.6193R | Automann | R005982R | 202100205L | Standard Forge | R607082 |
| 201.6194L | Automann | R001623L | 202100205R | Standard Forge | R607081 |
| 201.6194R | Automann | R001623R | 202100213L | Standard Forge | 2210-A-6319 |
| 201.6195L | Automann | R008985L | 202100213R | Standard Forge | 2210-Z-6318 |
| 201.6195R | Automann | R008985R | 202100225L | Standard Forge | 2210-J-2948 |
| 201.6196L | Automann | R006027L | 202100225L | Standard Forge | R607052 |
| 201.6196R | Automann | R006027R | 202100225R | Standard Forge | 2210-H-2946 |
| 201.6198L | Automann | R008990L | 202100225R | Standard Forge | R607051 |
| 201.6198R | Automann | R008990R | 202100236L | Standard Forge | R607002 |
| 201.7002L | Automann | 20-X-55 | 202100236R | Standard Forge | R607001 |
| 201.7002L | Automann | R005556L | 202100242L | Standard Forge | 2210-D-6400 |
| 201.7002R | Automann | 20-X-54 | 202100242L | Standard Forge | R607042 |
| 201.7002R | Automann | R005556R | 202100242R | Standard Forge | 2210-C-6399 |
| 201.7003L | Automann | 20-X-37 | 202100242R | Standard Forge | R607041 |
| 201.7003L | Automann | R005559L | 202100245L | Standard Forge | R607034 |

CROSS REFERENCE

| PART# | COMPETITOR | MERITOR# | PART# | COMPETITOR | MERITOR# |
|-------------|----------------|----------------|-----------|----------------|------------------|
| 202100245R | Standard Forge | R607033 | 209.1226 | Automann | 1227-V-464 |
| 202103191L | Standard Forge | R607239 | 209.1307 | Automann | R000540 |
| 202103213L | Standard Forge | R607006 | 209.1308 | Automann | R000572 |
| 202103213RH | Standard Forge | R607005 | 209.2107 | Automann | R002297 |
| 202103222L | Standard Forge | R607241 | 209.2109 | Automann | 1229-F-474 |
| 202103222R | Standard Forge | R607242 | 209.2109 | Automann | R002298 |
| 202103233L | Standard Forge | R607010 | 209.2116 | Automann | R004871 |
| 202103233RH | Standard Forge | R607009 | 209.2205 | Automann | R004881 |
| 202103241L | Standard Forge | R607008 | 209.2206 | Automann | R000573 |
| 202103241RH | Standard Forge | R607007 | 209.2209 | Automann | R004877 |
| 202103247R | Standard Forge | R607168 | 209.221 | Automann | R003505 |
| 203.101 | Automann | R005902G | 209.2214 | Automann | 1229-U-1009 |
| 203.1011 | Automann | R005890 | 209.2214 | Automann | R002304 |
| 203.1015 | Automann | R006053G | 209.2215 | Automann | R002467 |
| 203.1017 | Automann | R009024 | 209.2216 | Automann | R006141 |
| 203.2013 | Automann | R005571AG | 209.2313 | Automann | R002237 |
| 203.2021 | Automann | R005883 | 209.2315 | Automann | 1227-R-330 |
| 203.2041 | Automann | R005821G | 209.2316 | Automann | R001561 |
| 203.2046 | Automann | R005973 | 209.2317 | Automann | R003504 |
| 203.3001 | Automann | R004962 | 209.2321 | Automann | R003508 |
| 203.3002 | Automann | R004963 | 209108001 | Standard Forge | R630005 |
| 203.3002B | Automann | R007775 | 209999018 | Standard Forge | R630003 |
| 203.4001 | Automann | R004955 | 209999019 | Standard Forge | R630002 |
| 203.4002 | Automann | R004958 | 20P | H.D.A. | R657003 |
| 203.4005 | Automann | R004956A | 20X1463 | S&S Truck | 20-X-1463 |
| 203.4006 | Automann | R005706 | 20X1463 | S&S Truck | R005924L |
| 203100002 | Standard Forge | 1259-R-252 | 20X1464 | S&S Truck | 20-X-1464 |
| 203108 | Standard Forge | R537001 | 20X1464 | S&S Truck | R005924R |
| 203109 | Standard Forge | 1259-M-1131 | 2100 | Haldex | R823000 |
| 203113001 | Standard Forge | R547010 | 211102001 | Standard Forge | A1-3236A-1249 |
| 2040 | Dayton Parts | KIT-1194 | 21137 | Gunite | R004961A |
| 204102 | Standard Forge | R700011 | 212101 | Standard Forge | R823000 |
| 204105 | Standard Forge | 1779-D-82 | 212102 | Standard Forge | R823000 |
| 204108001 | Standard Forge | R517003 | 212111 | Standard Forge | R002091 |
| 205107001 | Standard Forge | R517506 | 212113 | Standard Forge | R823005 |
| 20515 | Eaton | A2-3105-G-1151 | 212116 | Standard Forge | R823000 |
| 206100001 | Standard Forge | R547015 | 214 | Dayton Parts | KIT-1106B |
| 207100 | Standard Forge | R577001 | 21404 | Standard Forge | R627014 |
| 207102 | Standard Forge | 1218-G-85 | 214100 | Standard Forge | 1229-X-1116 |
| 208102 | Standard Forge | 2258-P-354 | 214102 | Standard Forge | 1229-T-3166 |
| 208102 | Standard Forge | 2258-Z-416 | 214103 | Standard Forge | 1718-Y-103 |
| 208105 | Standard Forge | R567011 | 218 | Aimco | R004975R |
| 208106 | Standard Forge | R567005 | 218 | PAI/Excel | R004975R |
| 20881 | Dana | 1218-G-85 | 21878 | Dana | A-3222-C-1381 |
| 20883 | Dana | R527003 | 21884 | Dana | A-25-3222-D-1954 |
| 20886 | Dana | A-3722-L-64 | 21887 | Spicer | R4515P |
| 20886 | Spicer | A-3222-X-1142 | 21894 | Dana | A-3222-A-1717 |
| 209.111 | Automann | R002299 | 21895 | Spicer | A-3222-A-1717 |
| 209.1111 | Automann | 1227-B-106 | 21896 | Dana | A-3722-N-66 |
| 209.1111 | Automann | R002296 | 21897 | Dana | A1-3222-R-1916 |
| 209.1204 | Automann | R004857 | 21898 | Dana | A-3222-S-1293 |
| 209.121 | Automann | R002462 | 21898 | Spicer | A-9-13222-S-1293 |
| 209.1210 | Automann | 1227-M-715 | 219 | Aimco | R004975L |
| 209.1215 | Automann | R003506 | 219 | PAI/Excel | R004975L |
| 209.1216 | Automann | R003507 | 21900 | Dana | A-3222-N-1496 |
| 209.1217 | Automann | R003509 | 21900A | Dana | R704516 |
| 209.1222 | Automann | 1227-W-517 | 21902 | Dana | A-3222-L-1572 |
| 209.1222 | Automann | R002303 | 21903 | Spicer | A-3222-L-1572 |
| 209.1223 | Automann | 1227-R-330 | 21904 | Dana | R4551Q |
| 209.1223 | Automann | R002305 | 21912 | Spicer | A25-3222-D-1954 |
| 209.1225 | Automann | R002468 | 219148 | Fruehauf | 1229-G-1463 |

CROSS REFERENCE

| PART# | COMPETITOR | MERITOR# | PART# | COMPETITOR | MERITOR# |
|-----------|------------|---------------|----------|----------------|---------------|
| 21914A | Dana | R700012 | 21AX92 | Mack | R005652L |
| 21914A | Spicer | R700012 | 21AX93 | Mack | R007895R |
| 219158 | Fruehauf | 1229-G-1463 | 21AX94 | Mack | R007895L |
| 219160 | Fruehauf | 1229-Z-1118 | 21AX95 | Mack | R005977R |
| 219160X | Holland | 1229-Z-1118 | 21AX96 | Mack | R005977L |
| 219162 | Fruehauf | 1259-N-1132 | 22005 | Budd | R005585R |
| 219162 | Fruehauf | 1259-R-252 | 22006 | Budd | R005585L |
| 219179 | Fruehauf | 1229-J-868 | 22107 | Eaton | 2297-T-7222 |
| 219179PKG | Fruehauf | 1229-J-868 | 22107 | Eaton Top Spec | 2297-T-7222 |
| 21922E | Dana | R4311 | 22108 | Eaton Top Spec | R517006 |
| 21926 | Spicer | R700008 | 22109 | Eaton Top Spec | R517003 |
| 21927 | Spicer | R700002 | 22110 | Eaton Top Spec | R517001 |
| 21928 | Spicer | R700003 | 22111 | Eaton Top Spec | 1718-Y-103 |
| 21929 | Spicer | R700004 | 22112 | Eaton Top Spec | R527002 |
| 219292 | Fruehauf | 1229-Q-771 | 22113 | Eaton Top Spec | 3105-B-210 |
| 219293 | Fruehauf | R627005 | 22114 | Eaton Top Spec | R577001 |
| 219295 | Fruehauf | 5-X-640 | 22115 | Eaton Top Spec | 1218-G-85 |
| 219295 | Fruehauf | A-1205-S-1943 | 22116 | Eaton Top Spec | R567009 |
| 219295 | Fruehauf | R547033 | 22117 | Eaton Top Spec | 2258-P-354 |
| 219296 | Fruehauf | 1205-K-193 | 22118 | Eaton Top Spec | 2258-Z-416 |
| 219299 | Fruehauf | 1225-F-266 | 22119 | Eaton Top Spec | 2258-U-619 |
| 21930 | Spicer | R700001 | 22120 | Eaton Top Spec | 2258-U-619 |
| 219310 | Fruehauf | 2258-P-354 | 22121 | Eaton Top Spec | R567005 |
| 219310 | Fruehauf | 2258-Z-416 | 22122 | Eaton Top Spec | R567006 |
| 219311 | Fruehauf | 2258-K-349 | 22123 | Eaton Top Spec | R567502 |
| 219316 | Eaton | 2210-N-2484 | 22124 | Eaton Top Spec | 2258-Q-615 |
| 219316 | Fruehauf | R607082 | 22125 | Eaton Top Spec | R567501 |
| 219317 | Eaton | 2210-M-2483 | 22127 | Eaton Top Spec | 1259-M-1131 |
| 219317 | Fruehauf | R607081 | 22128 | Eaton | 1259-Q-251 |
| 21932 | Dana | R704591 | 22129 | Eaton Top Spec | R537001 |
| 21933 | Dana | A-3222-S-2021 | 22130 | Eaton Top Spec | 1259-N-274 |
| 21935 | Dana | A-3722-T-358 | 22132 | Eaton Top Spec | R537005 |
| 21936 | Dana | A-3722A-339 | 22133 | Eaton Top Spec | A-1205-S-1943 |
| 21938 | Dana | A-3722-E-681 | 22134 | Eaton | 1229-J-868 |
| 21939 | Dana | A-3722-D-680 | 22137 | Eaton Top Spec | 1229-X-1116 |
| 21942 | Budd | R006023R | 22138 | Eaton | 1229-T-3166 |
| 21943 | Budd | R006023L | 22139 | Eaton Top Spec | S266D |
| 21944 | Dana | R700327 | 22141 | Eaton Top Spec | 1225-B-496 |
| 21946 | Dana | R700321 | 22260 | Eaton Top Spec | R517509 |
| 21952 | Dana | R700427 | 22261 | Eaton Top Spec | R517506 |
| 21953 | Dana | R700442 | 222812 | Bendix | R823000 |
| 21955 | Dana | R700346 | 22341 | Eaton | 1225-R-1058 |
| 21956 | Spicer | R700400 | 2258U411 | S&S Truck | 2258-U-411 |
| 21958 | Dana | R700381 | 2258U619 | S&S Truck | 2258-U-619 |
| 21959 | Spicer | R700383 | 2259428 | Bendix | R700013 |
| 21966 | Dana | R704595 | 2259450 | Bendix | R700014 |
| 21968 | Dana | R700455 | 22621 | Budd | R007897R |
| 21969 | Dana | R700458 | 22622 | Budd | R007897L |
| 21970 | Dana | A-3222-K-1103 | 226604 | Fruehauf | R007898L |
| 21971 | Dana | A-3222-F-1072 | 226605 | Fruehauf | R007898R |
| 21976 | Dana | A-3222-P-1082 | 22706 | Eaton | 1205-X-726 |
| 21AX335 | Mack | R003509 | 2291283 | Dana | A-1205-P-1602 |
| 21AX442 | Mack | R007897R | 22A | Spicer | R507015 |
| 21AX443 | Mack | R007897L | 230 | Aimco | R008946R |
| 21AX609 | Mack | R007898R | 2300 | Haldex | R823000 |
| 21AX610 | Mack | R007898L | 2303 | Sirco Brake | 1227-W-517 |
| 21AX611 | Mack | R005576R | 2304 | Sirco Brake | 1229-U-1009 |
| 21AX612 | Mack | R005576L | 2305 | Sirco Brake | 1227-R-330 |
| 21AX626 | Mack | R003506 | 23071 | Eaton | 1225-L-1208 |
| 21AX790 | Mack | R003501 | 23071 | Eaton | R617001 |
| 21AX91 | Mack | R005652R | 231029 | Spicer | R570005 |

CROSS REFERENCE

| PART# | COMPETITOR | MERITOR# | PART# | COMPETITOR | MERITOR# |
|-----------|-------------|---------------|---------|-------------|---------------|
| 234189 | Bendix | 2797-B-106 | 271208 | Spicer | R627019 |
| 234226 | Bendix | 2797-D-56 | 272 | Sirco Brake | 20-X-67 |
| 234226N | Bendix | 2797-D-56 | 272 | Sirco Brake | R005553L |
| 234433 | Bendix | 2797-B-1042 | 27236 | National | A-1205-P-1602 |
| 23470 | Eaton | R627006 | 27323 | Bendix | R823000 |
| 235 | Sirco Brake | R005572AG | 277959 | Bendix | R824001 |
| 235 | Spicer | R700235 | 277959N | Bendix | R824001 |
| 235 | Timken | R700235 | 278008 | Bendix | R823001 |
| 23570 | Eaton | R627006 | 278010 | Bendix | R823000 |
| 235B | H.D.A. | R005572AG | 278010N | Bendix | R823000 |
| 23802 | Eaton | A-1205-V-1556 | 278016 | Bendix | R823001 |
| 23A | Spicer | R507001 | 278016 | Bendix | R824001 |
| 23QJ129 | Mack | R003505 | 278016N | Bendix | R823001 |
| 23QJ12B | Mack | R003508 | 278016N | Bendix | R824001 |
| 23QJ201 | Mack | R002304 | 278045 | Bendix | R823000 |
| 24100 | Budd | R005565R | 278045N | Bendix | R823000 |
| 24101 | Budd | R005565L | 278084 | Bendix | R002091 |
| 241A | Dana | MKT-4311EHDN | 278106 | Bendix | R823005 |
| 241A | Spicer | R507002 | 278289 | Bendix | R824012 |
| 241A | Spicer | R507002 | 278302 | Bendix | R824009 |
| 241ABULK | Spicer | R507002 | 278312 | Bendix | R824000 |
| 24532 | Eaton | R627015 | 278321 | Bendix | R824001 |
| 24898 | Eaton | 1205-V-1452 | 278323 | Bendix | R824000 |
| 24A | Spicer | R507002 | 278323N | Bendix | R824000 |
| 24ABULK | Spicer | R507002 | 278326 | Bendix | R824001 |
| 24P | H.D.A. | R617009 | 278326N | Bendix | R824001 |
| 25263 | Eaton | 1205-M-1105 | 278719 | Bendix | R823000 |
| 25263 | Eaton | R627018 | 279351 | Bendix | R823005 |
| 25264 | Gunite | R005652R | 279351N | Bendix | R823005 |
| 253395 | Fruehauf | 1229-T-3166 | 27A | Dana | R507079 |
| 256 | Sirco Brake | R005827G | 28021 | UBS | 1259-N-274 |
| 257 | Sirco Brake | R005828G | 28022 | UBS | 2258-Q-615 |
| 25QD259P7 | Mack | R806016 | 28023 | UBS | 2258-U-619 |
| 25QD338P5 | Mack | R806500 | 2806380 | Eaton | R627033 |
| 25QD338P6 | Mack | R806501 | 2807928 | Eaton | 1229-J-868 |
| 25QD340P6 | Mack | R806016 | 2808058 | Eaton | R527002 |
| 25QD345 | Mack | R806003 | 2809506 | Eaton | 1225-B-496 |
| 25QD410 | Mack | R806024 | 2809512 | Eaton | 1218-G-85 |
| 25QD410P3 | Mack | R806026 | 28112 | UBS | 1225-F-266 |
| 25QD410P4 | Mack | R806022 | 28114 | UBS | 1259-R-252 |
| 25QD412 | Mack | R806016 | 28119 | UBS | 2297-T-7222 |
| 25QD412P3 | Mack | R806017 | 281231 | Dana | R657001 |
| 25QD49 | Mack | R806016 | 281233 | Dana | 1225-L-1208 |
| 25QJ125 | Mack | R003505 | 281233 | Spicer | R617001 |
| 25QJ13 | Mack | R003507 | 281234 | Dana | 1225-X-336 |
| 25QJ168 | Mack | R003504 | 281235 | Dana | R000943 |
| 25QJ35 | Mack | R002303 | 281235 | Spicer | R000943 |
| 25QJ36 | Mack | R002305 | 281237 | Dana | R657003 |
| 26211 | CR | A-1205-J-998 | 281240 | Dana | 1225-A-833 |
| 26265 | Gunite | R005652L | 281243 | Spicer | KIT-9034 |
| 263 | Sirco Brake | R004966R | 281246 | Dana | 1225-U-151 |
| 264 | Sirco Brake | R004966L | 281252 | Spicer | 1225-G-631 |
| 269 | Sirco Brake | R005734 | 281258 | Spicer | R627022 |
| 26A | Dana | R507072 | 281260 | Dana | 1225-X-804 |
| 271 | Sirco Brake | 20-X-66 | 281267 | Dana | 1205-N-924 |
| 271 | Sirco Brake | R005553R | 281275 | Dana | 1205-V-1452 |
| 271191 | Dana | R617008 | 28151 | UBS | 1718-Y-103 |
| 271195 | Dana | R617002 | 28152 | UBS | 1259-Q-251 |
| 271197 | Dana | 1225-R-1058 | 28158 | UBS | 3105-B-210 |
| 271199 | Dana | R627009 | 28179 | UBS | 2258-P-354 |
| 271203 | Dana | 1205-G-761 | 28187 | UBS | R567017 |

CROSS REFERENCE

| PART# | COMPETITOR | MERITOR# | PART# | COMPETITOR | MERITOR# |
|-----------|-------------|----------------|-----------|------------|---------------|
| 28195 | UBS | R567028 | 28883 | UBS | 1229-X-3118 |
| 28198 | UBS | 2758-Q-43 | 28884 | UBS | 1229-J-868 |
| 281A | Spicer | KIT-8000 | 28888 | UBS | 1225-B-496 |
| 281A | Spicer | MKT-4515QN | 28915 | Eaton | 1229-G-1463 |
| 281ABULK | Spicer | KIT-8000 | 289312/13 | Bendix | R802416 |
| 281ABULK | Spicer | MKT-4515QN | 289312/13 | Bendix | R802490 |
| 281AR | Spicer | KIT-8000 | 289312/13 | Bendix | R802491 |
| 281AR | Spicer | MKT-4515QN | 28931213 | Bendix | R802416 |
| 281ARBULK | Spicer | KIT-8000 | 28931213 | Bendix | R802490 |
| 281ARBULK | Spicer | MKT-4515QN | 28931213 | Bendix | R802491 |
| 28201 | UBS | 2758-W-127 | 289313 | Bendix | R802416 |
| 28250 | UBS | R517006 | 289313 | Bendix | R802417 |
| 283411 | Bendix | R824007 | 289313 | Bendix | R802490 |
| 28346 | UBS | 1227-V-516 | 289313 | Bendix | R802491 |
| 28358 | UBS | 1225-R-1058 | 289314/15 | Bendix | R802444 |
| 28370 | UBS | 1225-X-804 | 289314/15 | Bendix | R802445 |
| 28380 | UBS | 1225-A-833 | 289314/15 | Bendix | R802512 |
| 28381 | UBS | 1205-V-1452 | 289314/15 | Bendix | R802513 |
| 28382 | UBS | A1-3236A-1249 | 28931415 | Bendix | R802444 |
| 28401 | UBS | 1229-T-3166 | 28931415 | Bendix | R802445 |
| 28402 | UBS | 1229-Z-1118 | 28931415 | Bendix | R802512 |
| 28523 | UBS | 1227-B-678 | 28931415 | Bendix | R802513 |
| 28534 | UBS | R002465 | 289654/55 | Bendix | R801045 |
| 28535 | UBS | R002463 | 289654/55 | Bendix | R802333 |
| 28540 | UBS | 1227-U-515 | 289654/55 | Bendix | R802513 |
| 28541 | UBS | 1227-D-446 | 28965455 | Bendix | R801045 |
| 28542 | UBS | 1229-C-1459 | 28965455 | Bendix | R802333 |
| 28545 | UBS | 1229-G-1021 | 28965455 | Bendix | R802513 |
| 28547 | UBS | 1227-H-346 | 289741/42 | Bendix | R802280 |
| 28556 | UBS | 1227-F-162 | 289741/42 | Bendix | R802281 |
| 28558 | UBS | 1229-H-1568 | 289741/42 | Bendix | R802356 |
| 28560 | UBS | 1227-D-108 | 289741/42 | Bendix | R802357 |
| 28562 | UBS | 1229-J-478 | 28974142 | Bendix | R802280 |
| 285786 | Bendix | R670014 | 28974142 | Bendix | R802281 |
| 28590 | UBS | R570005 | 28974142 | Bendix | R802356 |
| 286740 | Bendix | R823003 | 28974142 | Bendix | R802357 |
| 286965 | Bendix | R824003 | 289748/49 | Bendix | R801045 |
| 286965N | Bendix | R824003 | 289748/49 | Bendix | R802333 |
| 287899 | Bendix | R823003 | 289748/49 | Bendix | R802513 |
| 287899 | Bendix | R824004 | 28974849 | Bendix | R801045 |
| 287899N | Bendix | R823003 | 28974849 | Bendix | R802333 |
| 287899N | Bendix | R824004 | 28974849 | Bendix | R802513 |
| 28798 | UBS | A2-3105-G-1151 | 28A | Spicer | KIT-8000 |
| 287L | Sirco Brake | R005896L | 28P | H.D.A. | 1225-A-833 |
| 287R | Sirco Brake | R005896R | 291266 | Dana | R627008 |
| 28827 | UBS | 2258-Z-416 | 291267 | Spicer | 1205-N-924 |
| 288542 | Bendix | R823005 | 291269 | Spicer | 1205-M-1105 |
| 288542N | Bendix | R823005 | 291269 | Spicer | R627018 |
| 288753 | Bendix | R824004 | 291270 | Dana | A-1205-V-1556 |
| 288753N | Bendix | R824004 | 291274 | Dana | 1205-Q-2123 |
| 288799 | Bendix | R870016 | 291275 | Spicer | 1205-V-1452 |
| 288799N | Bendix | R870016 | 291280 | Dana | 1205-X-726 |
| 288803 | Bendix | R870020 | 291282 | Spicer | R627026 |
| 288808 | Bendix | R870024 | 291283 | Dana | A-1205-P-1602 |
| 288808N | Bendix | R870024 | 291302 | Dana | R627017 |
| 288813 | Bendix | R870030 | 291305 | Dana | R627014 |
| 288813N | Bendix | R870030 | 291306 | Spicer | R627027 |
| 288818 | Bendix | R870024 | 291307 | Dana | 1229-R-122 |
| 288818 | Bendix | R870036 | 291307 | Spicer | R627005 |
| 288818N | Bendix | R870024 | 291309 | Dana | 1229-J-868 |
| 288818N | Bendix | R870036 | 291310 | Spicer | 1229-G-1463 |

CROSS REFERENCE

| PART# | COMPETITOR | MERITOR# | PART# | COMPETITOR | MERITOR# |
|-----------|----------------|----------------|-----------|----------------|---------------|
| 291311 | Dana | 1229-M-559 | 303101 | Standard Forge | R007895L |
| 291314 | Spicer | R627039 | 303104 | Standard Forge | R005977R |
| 291315 | Dana | R627014 | 303105 | Standard Forge | R005977L |
| 291319 | Spicer | R627024 | 303106 | Standard Forge | R005652R |
| 291320 | Dana | R627006 | 303107 | Standard Forge | R005652L |
| 291322 | Dana | R627002 | 303108 | Standard Forge | R005576R |
| 291326 | Spicer | R627025 | 303109 | Standard Forge | R005576L |
| 291327 | Dana | 1229-X-3118 | 303110 | Standard Forge | R005579R |
| 291330 | Dana | 1229-Q-277 | 303111 | Standard Forge | R005579L |
| 291330 | Spicer | 1225-R-1136 | 303119 | Standard Forge | R005734 |
| 291331 | Spicer | R627028 | 305680 | Fruehauf | 2210-A-6319 |
| 291333 | Dana | 1229-P-302 | 305680900 | Fruehauf | R615006 |
| 291337 | Dana | 1229-E-811 | 305681 | Fruehauf | 2210-Z-6318 |
| 291341 | Dana | 1229-G-1463 | 30714 | Eaton Top Spec | R002461 |
| 291A | Spicer | MKT-4515QHDN | 30A | Spicer | KIT-8000MB |
| 291ABULK | Spicer | MKT-4515QHDN | 30A | Spicer | R508002 |
| 291AR | Dana | MKT-4515QHDN | 30AR | Spicer | KIT-8000MB |
| 291AR | Spicer | MKT-4515QHDN | 30AR | Spicer | R508002 |
| 291ARBULK | Dana | MKT-4515QHDN | 30P | H.D.A. | R627006 |
| 291ARBULK | Spicer | MKT-4515QHDN | 311A | Spicer | R507006 |
| 29646 | Eaton | R627005 | 31288 | CR | A-1205-T-1502 |
| 298484 | Fruehauf | R005719L | 31323 | Motor Wheel | R003040L |
| 298485 | Fruehauf | R005719R | 314 | Sirco Brake | R005953G |
| 29A | Spicer | MKT-4515QHDN | 314146 | Eaton | R507094 |
| 29P | H.D.A. | R627005 | 314147 | Eaton | R507064 |
| 30002 | Reyco | R005977R | 31472 | Eaton | 1229-Z-1118 |
| 30003 | Reyco | R005977L | 31624 | Dana | 1229-X-1116 |
| 30006 | Reyco | R007895R | 316331 | Bendix | R670027 |
| 30007 | Reyco | R007895L | 316355 | Bendix | R670029 |
| 30008 | Reyco | R004968R | 316386 | Bendix | R670028 |
| 30009 | Reyco | R004968L | 316387 | Bendix | R670028 |
| 30010 | Reyco | R005756R | 31703 | Budd | R005936R |
| 30011 | Reyco | R005757L | 31704 | Budd | R005936L |
| 30023 | Gunite | R005008 | 317166 | Bendix | R806022 |
| 3008401 | Budd | R008949R | 318113 | Bendix | R700327 |
| 3008402 | Budd | R008949L | 318601 | Bendix | R670014 |
| 3011081L | Standard Forge | R005875L | 319114 | Bendix | R670016 |
| 3011081R | Standard Forge | R005875R | 31926 | Eaton | R002463 |
| 3011101L | Standard Forge | R005558L | 31945 | Wagner | R607028 |
| 3011101R | Standard Forge | R005558R | 3200449 | Bendix | R670014 |
| 3011102L | Standard Forge | R005556L | 321 | Spicer | R700321 |
| 3011102R | Standard Forge | R005556R | 32106 | Eaton | R627032 |
| 3011104L | Standard Forge | R005561L | 321425 | Dana | 2297-T-7222 |
| 3011104R | Standard Forge | R005561R | 321425 | Spicer | 1779-B-1172 |
| 3011105L | Standard Forge | R005560L | 321427 | Dana | 1779-D-82 |
| 3011105R | Standard Forge | R005560R | 321428 | Spicer | 2297-T-7222 |
| 3011106L | Standard Forge | R005585L | 321430 | Dana | R517002 |
| 3011106R | Standard Forge | R005585R | 32144 | Eaton | 1229-D-2942 |
| 3011351L | Standard Forge | R008946L | 321442 | Dana | R517509 |
| 3011351R | Standard Forge | R008946R | 321445 | Spicer | R517003 |
| 3011371L | Standard Forge | R005713L | 321446 | Spicer | R517506 |
| 3011371R | Standard Forge | R005713R | 321448 | Dana | 1246-G-345 |
| 3011373L | Standard Forge | R005716L | 32145 | Eaton Top Spec | R000943 |
| 3011373R | Standard Forge | R005716R | 321450 | Dana | R517508 |
| 301357 | Spicer | R630003 | 32146 | Eaton Top Spec | R000943 |
| 301358 | Dana | A2-3105-G-1151 | 321460 | Spicer | R517011 |
| 301364 | Spicer | R630006 | 321461 | Spicer | R517010 |
| 301375 | Dana | 1205-G-761 | 321462 | Spicer | R517009 |
| 301392 | Spicer | R630006 | 321463 | Spicer | R517001 |
| 302 | Sirco Brake | R005829G | 321464 | Dana | 1199-G-3725 |
| 303100 | Standard Forge | R007895R | 321464 | Spicer | R517001 |

CROSS REFERENCE

| PART# | COMPETITOR | MERITOR# | PART# | COMPETITOR | MERITOR# |
|---------|----------------|----------------|------------|--------------|---------------|
| 321465 | Spicer | 1199-G-3725 | 331489 | Dana | A-3736-W-907 |
| 321468 | Dana | 1246-F-1020 | 3315 | Webb | R005826 |
| 32147 | Eaton Top Spec | R617003 | 332 | Sirco Brake | R005924R |
| 32149 | Eaton | R617001 | 3320 | Webb | R005824 |
| 32150 | Eaton Top Spec | R657003 | 3322 | Webb | R005825 |
| 32151 | Eaton | 1225-G-631 | 333 | Sirco Brake | R005924L |
| 32153 | Eaton Top Spec | 1225-A-833 | 333B | Sirco Brake | R006000A |
| 32154 | Eaton Top Spec | 1225-B-834 | 334816 | Fruehauf | R007896R |
| 32156 | Eaton Top Spec | A2-3105-G-1151 | 334817 | Fruehauf | R007896L |
| 32157 | Eaton Top Spec | R617007 | 335 | Sirco Brake | R005997 |
| 32158 | Eaton Top Spec | R617009 | 336 | Sirco Brake | R005999 |
| 32159 | Eaton | R617002 | 33664 | Eaton | 1229-N-2250 |
| 32160 | Eaton | R617008 | 336L | Sirco Brake | R007896L |
| 32161 | Eaton Top Spec | 1225-R-1058 | 336R | Sirco Brake | R007896R |
| 32162 | Eaton Top Spec | 1205-X-726 | 33792 | Budd | R001011R |
| 32164 | Eaton | R627029 | 33793 | Budd | R001011L |
| 32165 | Eaton Top Spec | A-1205-V-1556 | 3398W1059R | Mack | R001127R |
| 32166 | Eaton | 1205-M-1105 | 3398W883L | Mack | R008978L |
| 32166 | Eaton | R627018 | 3398W883R | Mack | R008978R |
| 32167 | Eaton | 1205-Q-2123 | 33P | H.D.A. | 1229-X-3118 |
| 32167 | Eaton | R627015 | 341526 | Dana | 1229-T-3166 |
| 32168 | Eaton Top Spec | 1205-V-1452 | 341530 | Dana | R527002 |
| 32169 | Eaton | 1205-M-1105 | 341532 | Dana | 3105-B-210 |
| 32169 | Eaton | R627018 | 341545 | Spicer | R587001 |
| 32169 | Eaton Top Spec | 1205-N-924 | 341547 | Dana | 1229-D-2942 |
| 32172 | Eaton Top Spec | R627018 | 341551 | Dana | R004961A |
| 32173 | Eaton | R627030 | 341551 | Spicer | NL-1121 |
| 32174 | Eaton | R627012 | 341552 | Dana | 1229-V-1556 |
| 32175 | Eaton | R627031 | 341558 | Spicer | R547029 |
| 32176 | Eaton | R627006 | 3418800 | Dexter | R607289 |
| 32177 | Eaton | R627005 | 3418801 | Dexter | R607285 |
| 32179 | Eaton Top Spec | 1229-G-1463 | 3418803 | DX | R607291 |
| 32180 | Eaton | 1229-Q-771 | 3418804 | Dexter | R607287 |
| 32180 | Eaton Top Spec | 1229-R-122 | 3418805 | Dexter | R607293 |
| 32181 | Eaton | 1229-R-122 | 3418809 | Dexter | R607297 |
| 32181 | Eaton | R627005 | 3418811 | Dexter | R607295 |
| 32183 | Eaton Top Spec | R627002 | 3418900 | DX | R607290 |
| 32184 | Eaton Top Spec | R627001 | 3418901 | Dexter | R607286 |
| 32186 | Eaton Top Spec | 1229-Z-1118 | 3418903 | Dexter | R607292 |
| 32187 | Eaton | 1229-D-3124 | 3418904 | Dexter | R607288 |
| 32187 | Eaton | R627017 | 3418905 | Dexter | R607294 |
| 32192 | Eaton Top Spec | 1229-N-2250 | 3418909 | Dexter | R607298 |
| 322 | S&S Truck | R700322 | 341A | Spicer | MKT-4515X |
| 322 | Spicer | R700322 | 341ABULK | Spicer | MKT-4515X |
| 32309 | Budd | R003723R | 341SM18 | Mack | 1718-Y-103 |
| 32310 | Budd | R003723L | 3425Q26 | Mack | 1205-K-193 |
| 324095 | Bendix | R670024 | 34271 | Gunite | R005977R |
| 324095N | Bendix | R670024 | 34272 | Gunite | R005977L |
| 325007 | Bendix | R670028 | 3430 | National | A-1205-Z-1638 |
| 327 | Dana | R700327 | 3430001 | MGM Brakes | R870031 |
| 32706 | Eaton Top Spec | 1225-X-804 | 3430008 | MGM Brakes | R870031 |
| 32714 | Eaton Top Spec | R617005 | 34435 | Gunite | R005032 |
| 32715 | Eaton Top Spec | R617006 | 34528 | Eaton | R627005 |
| 32716 | Eaton Top Spec | R627014 | 346 | Spicer | R700346 |
| 32717 | Eaton Top Spec | R627015 | 346 | Timken | R700346 |
| 330733 | Fruehauf | 1779-B-1172 | 34A | Dana | MKT-4515XHD |
| 330733 | Fruehauf | 2297-T-7222 | 34A | Spicer | MKT-4515XHD |
| 330734 | Fruehauf | 1718-Y-103 | 34ABULK | Spicer | MKT-4515XHD |
| 3313 | Webb | R005826 | 34QD150 | Mack | R547030 |
| 3314 | Webb | R005953G | 3501 | Dayton Parts | KIT-1105B |
| 331478 | Spicer | A1-3236A-1249 | 35090 | Budd | R003728L |

CROSS REFERENCE

| PART# | COMPETITOR | MERITOR# | PART# | COMPETITOR | MERITOR# |
|----------|----------------|---------------|----------|--------------|-------------|
| 351577 | Dana | 1205-K-193 | 38098 | Eaton | 1229-R-1058 |
| 351578 | Spicer | R547032 | 38098 | Eaton | R002424 |
| 351579 | Spicer | R547031 | 381 | Aimco | R700381 |
| 351580 | Dana | 1229-B-1848 | 381 | Dana | R700381 |
| 351580 | Dana | 1229-G-2971 | 381 | Rome | R700381 |
| 351580 | Spicer | 1229-G-2971 | 381 | UBS | R700381 |
| 351582 | Dana | A-1205-S-1943 | 38185 | Eaton | 2210-Z-6318 |
| 35247 | Eaton | R607261 | 38186 | Eaton | 2210-A-6319 |
| 35336 | Budd | R007896R | 383 | Dana | R700383 |
| 35337 | Budd | R007896L | 383 | Timken | R700383 |
| 35428 | Eaton | R627005 | 38540 | Spicer | R000540 |
| 35430 | Eaton Top Spec | R607103 | 3866 | Dayton Parts | KIT-1105B |
| 35431 | Eaton Top Spec | R607104 | 389927 | Alcoa | R0010234 |
| 35455 | Eaton Top Spec | R607049 | 38A | Spicer | MKT-4515XHD |
| 35456 | Eaton Top Spec | R607050 | 38A | Spicer | R508014 |
| 35612 | Eaton | R607262 | 39074 | Eaton | R517006 |
| 35787 | Budd | R005587L | 39075 | Eaton | R517509 |
| 35AX167 | Mack | R547032 | 39365 | Metform | R009021 |
| 35AX600 | Mack | R005737 | 39388 | Budd | R003040R |
| 35AX606 | Mack | R005743 | 39389 | Budd | R003040L |
| 35AX697 | Mack | R547032 | 396 | Sirco Brake | R004957 |
| 35P | H.D.A. | R000943 | 39604 | Metform | R005991 |
| 3637719 | Chrysler | R009022L | 39627 | Metform | R009020 |
| 3637720 | Chrysler | R009022R | 39691 | Alcoa | R009020 |
| 368 | Dana | R700442 | 39701 | Metform | R009020 |
| 36P | H.D.A. | 1225-R-1058 | 39702 | Metform | R006000A |
| 370006A | National | A-1205-R-1630 | 39724 | Metform | R0010235 |
| 370054A | National | A-1205-Y-1715 | 399 | Sirco Brake | R005927G |
| 370064A | National | A-1205-M-1287 | 39937 | Metform | R0010234 |
| 37173 | Budd | R004960 | 39949 | Alcoa | R009020 |
| 37179 | Budd | R004960 | 3AX1261 | Mack | R004990A |
| 37181 | Budd | R005798 | 3AX1901 | Mack | R004990A |
| 3727097 | Stemco | R945020 | 4 | Sirco Brake | 20-X-85 |
| 373 | Sirco Brake | R005766R | 4 | Sirco Brake | R005560R |
| 37392 | Budd | R001011R | 40 | Sirco Brake | R005044 |
| 37393 | Budd | R001011L | 400 | Dana | R700400 |
| 375 | Sirco Brake | R005757R | 40010001 | Haldex | R806009 |
| 376 | Sirco Brake | R005757L | 40010002 | Haldex | R806503 |
| 376590A | National | A-1205-Q-1889 | 40010003 | Haldex | R806502 |
| 37888 | Budd | R005652R | 40010004 | Haldex | R806010 |
| 37888/89 | Budd | R005652R | 40010005 | Haldex | R806011 |
| 37889 | Budd | R005652L | 40010008 | Haldex | R806012 |
| 37891 | Budd | R005977R | 40010008 | Haldex | R806025 |
| 37892 | Budd | R005977L | 40010040 | Haldex | R806505 |
| 38024 | Eaton | 2297-T-7222 | 40010041 | Haldex | R806504 |
| 38028 | Eaton | 1718-Y-103 | 40010058 | Haldex | R806500 |
| 38030 | Eaton | 3105-B-210 | 40010059 | Haldex | R806501 |
| 38032 | Eaton | 1218-G-85 | 40010068 | Haldex | R806507 |
| 38034 | Eaton | 2258-P-354 | 40010081 | Haldex | R806025 |
| 38035 | Eaton | 2258-Z-416 | 40010140 | Haldex | R806024 |
| 38037 | Eaton | 2258-U-619 | 40010141 | Haldex | R806004 |
| 38038 | Spicer | R627014 | 40010141 | Haldex | R806026 |
| 38041 | Eaton | 2258-Q-615 | 40010142 | Haldex | R806023 |
| 38044 | Eaton | 1259-M-1131 | 40010143 | Haldex | R806022 |
| 38052 | Eaton | 1225-X-804 | 40010144 | Haldex | R806016 |
| 38078 | Eaton | 1227-B-678 | 40010145 | Haldex | R806018 |
| 38086 | Eaton | 1227-F-162 | 40010146 | Haldex | R806017 |
| 38088 | Eaton | 1229-H-1568 | 40010155 | Haldex | R806002 |
| 38095 | Eaton | 1229-G-1021 | 40010156 | Haldex | R806003 |
| 38096 | Eaton | 1227-V-516 | 40010211 | Haldex | R806019 |
| 38097 | Eaton | 1227-H-346 | 40010212 | Haldex | R806013 |

CROSS REFERENCE

| PART# | COMPETITOR | MERITOR# | PART# | COMPETITOR | MERITOR# |
|----------|----------------|---------------|----------|-------------|---------------|
| 40010213 | Haldex | R806020 | 40910660 | Haldex | R806502 |
| 40010214 | Haldex | R806014 | 40910662 | Haldex | R806011 |
| 40010215 | Haldex | R806021 | 40910664 | Haldex | R806504 |
| 40010216 | Haldex | R806015 | 40910673 | Haldex | R806013 |
| 40010304 | Haldex | R806005 | 40910675 | Haldex | R806015 |
| 40010305 | Haldex | R806006 | 40910679 | Haldex | R806017 |
| 40010306 | Haldex | R806007 | 40910683 | Haldex | R806019 |
| 40010307 | Haldex | R806008 | 40910685 | Haldex | R806021 |
| 40010402 | Haldex | R806001 | 40910741 | Haldex | R806023 |
| 401 | Dana | R700401 | 40932422 | Dana | 2210-E-6869 |
| 40164 | Dexter | R700015 | 40A | Spicer | R507000 |
| 40285 | Motor Wheel | R003040R | 40M009 | Anchorlok | 2797-B-1042 |
| 403101 | Standard Forge | 1205-K-193 | 41002 | Haldex | R607042 |
| 403107 | Standard Forge | 1229-J-868 | 41003 | Haldex | R607091 |
| 403108 | Standard Forge | 1229-G-1463 | 41010 | Haldex | R607018 |
| 403149 | Standard Forge | R627025 | 41011 | Haldex | R607017 |
| 403150 | Standard Forge | R627024 | 410115 | National | A-1205-T-1242 |
| 40320 | Dexter | R700031 | 41014 | Haldex | R607072 |
| 40321 | Dexter | R700029 | 41015 | Haldex | R607071 |
| 40322 | Dexter | R700030 | 41016 | Haldex | R607076 |
| 40336 | Budd | R004988R | 41017 | Haldex | R607075 |
| 40337 | Budd | R004988L | 41024 | Haldex | R607096 |
| 40338 | Budd | R005588R | 41025 | Haldex | R607095 |
| 40339 | Budd | R005588L | 41026 | Haldex | R607036 |
| 405101 | Standard Forge | 1225-F-266 | 41027 | Haldex | R607035 |
| 405102 | Standard Forge | R570005 | 41028 | Haldex | R607092 |
| 405106 | Spicer | 1225-R-512 | 41029 | Haldex | R607091 |
| 405106 | Spicer | 1225-X-336 | 41034 | Haldex | R607078 |
| 405106 | Standard Forge | 1225-R-512 | 41035 | Haldex | R607077 |
| 405106 | Standard Forge | 1225-X-336 | 41036 | Haldex | R607078 |
| 405109 | Standard Forge | R617001 | 41036 | Haldex | R607097 |
| 405123 | Standard Forge | R627022 | 41037 | Haldex | R607098 |
| 405126 | Standard Forge | 1225-L-1208 | 41042 | Haldex | R607030 |
| 405126 | Standard Forge | R617001 | 41043 | Haldex | R607029 |
| 405128 | Standard Forge | R617002 | 41044 | Haldex | R607074 |
| 405129 | Standard Forge | R617001 | 41045 | Haldex | R607073 |
| 405129 | Standard Forge | R617003 | 41048 | Haldex | R607049 |
| 405131 | Standard Forge | R577001 | 410737 | Budd | R004961A |
| 405133 | Standard Forge | R657001 | 411 | Sirco Brake | R004956A |
| 40547 | Eaton Top Spec | R607147 | 411B | H.D.A. | R005706 |
| 40548 | Eaton Top Spec | R607148 | 41260 | Haldex | R607090 |
| 408100 | Standard Forge | A-1205-V-1556 | 41261 | Haldex | R607089 |
| 408101 | Standard Forge | R627018 | 41264 | Haldex | 2210-Y-6317 |
| 408103 | Standard Forge | A-1205-V-1556 | 41265 | Haldex | 2210-X-6316 |
| 40864 | Eaton | R627008 | 41266 | Haldex | R607032 |
| 409100 | Standard Forge | 5-X-640 | 41267 | Haldex | R607031 |
| 409100 | Standard Forge | A-1205-S-1943 | 41268 | Haldex | R607040 |
| 409100 | Standard Forge | R547033 | 41284 | Haldex | 2210-N-1574 |
| 40910129 | Haldex | R806000 | 41285 | Haldex | 2210-M-1573 |
| 40910228 | Haldex | R806025 | 41292 | Haldex | R607025 |
| 40910532 | Haldex | R806004 | 41293 | Haldex | R607026 |
| 40910584 | Haldex | R806001 | 415003 | National | A-1205-J-998 |
| 40910590 | Haldex | R806506 | 41504 | Haldex | 2210-R-8156 |
| 40910599 | Haldex | R806500 | 41505 | Haldex | 2210-Q-8155 |
| 40910615 | Haldex | R806024 | 41506 | Haldex | 2210-N-2484 |
| 40910628 | Haldex | R806004 | 41506 | Haldex | R607082 |
| 40910635 | Haldex | R806002 | 41507 | Haldex | 2210-M-2483 |
| 40910648 | Haldex | R806003 | 41507 | Haldex | R607081 |
| 40910653 | Haldex | R806026 | 41510 | Haldex | 2210-C-6165 |
| 40910656 | Haldex | R806007 | 41511 | Haldex | 2210-D-6166 |
| 40910658 | Haldex | R806009 | 41512 | Haldex | R607020 |

CROSS REFERENCE

| PART# | COMPETITOR | MERITOR# | PART# | COMPETITOR | MERITOR# |
|--------|------------|---------------|-----------|----------------|-------------|
| 41513 | Haldex | R607019 | 41763 | Haldex | R607005 |
| 41514 | Haldex | 2210-A-6319 | 41764 | Haldex | R607084 |
| 41515 | Haldex | 2210-Z-6318 | 41765 | Haldex | R607083 |
| 41518 | Haldex | R607052 | 41770 | Haldex | 2210-L-7838 |
| 41519 | Haldex | R607051 | 41771 | Haldex | 2210-K-7837 |
| 41522 | Haldex | R607002 | 41772 | Haldex | 2210-J-7628 |
| 41523 | Haldex | R607001 | 41773 | Haldex | 2210-H-7626 |
| 41524 | Haldex | R607042 | 41781 | Haldex | 2210-G-6845 |
| 41525 | Haldex | R607041 | 41782 | Haldex | 2210-R-6856 |
| 41526 | Haldex | 2210-T-8158 | 41784 | Haldex | 2210-B-6892 |
| 41527 | Haldex | 2210-S-8157 | 41785 | Haldex | 2210-C-6893 |
| 41528 | Haldex | R607011 | 41A | Spicer | R507005 |
| 41529 | Haldex | R607012 | 41AX167 | Mack | R547031 |
| 41532 | Haldex | R607070 | 42194 | Eaton Top Spec | R000572 |
| 41533 | Haldex | R607069 | 42195 | Eaton Top Spec | R000573 |
| 415379 | National | A-1205-J-1518 | 42196 | Eaton Top Spec | R000540 |
| 41542 | Haldex | R607055 | 42197 | Eaton | R002237 |
| 41543 | Haldex | R607056 | 42198 | Eaton Top Spec | R001251 |
| 41544 | Haldex | R607046 | 42199 | Eaton Top Spec | R001252 |
| 41545 | Haldex | R607045 | 42200 | Eaton Top Spec | R002128 |
| 41546 | Haldex | 2210-D-6400 | 42201 | Eaton Top Spec | 1227-B-678 |
| 41546 | Haldex | R607042 | 42202 | Eaton | R002550 |
| 41547 | Haldex | 2210-C-6399 | 42203 | Eaton | R001561 |
| 41547 | Haldex | R607041 | 42204 | Eaton | R001559 |
| 41548 | Haldex | R607048 | 42205 | Eaton Top Spec | R002299 |
| 41549 | Haldex | R607047 | 42206 | Eaton Top Spec | R002296 |
| 41550 | Haldex | 2210-Q-7427 | 42207 | Eaton Top Spec | R002297 |
| 41551 | Haldex | 2210-P-7426 | 42208 | Eaton Top Spec | R002298 |
| 41552 | Haldex | 2210-G-7443 | 42209 | Eaton Top Spec | 1227-F-162 |
| 41553 | Haldex | 2210-F-7442 | 42210 | Eaton Top Spec | R002301 |
| 41554 | Haldex | 2210-U-7457 | 42211 | Eaton Top Spec | 1229-H-1568 |
| 41555 | Haldex | 2210-T-7456 | 42216 | Eaton Top Spec | 1227-T-540 |
| 41556 | Haldex | 2210-E-7493 | 42218 | Eaton Top Spec | 1229-G-1021 |
| 41557 | Haldex | 2210-D-7492 | 42219 | Eaton Top Spec | 1227-V-516 |
| 41558 | Haldex | 2210-A-7515 | 42220 | Eaton Top Spec | 1227-H-346 |
| 41559 | Haldex | 2210-Z-7514 | 42221 | Eaton | R002424 |
| 41560 | Haldex | 2210-J-7524 | 42221 | Eaton Top Spec | 1229-R-1058 |
| 41561 | Haldex | 2210-H-7522 | 42222 | Eaton Top Spec | R002303 |
| 41564 | Haldex | 2210-C-7569 | 42223 | Eaton Top Spec | R002305 |
| 41565 | Haldex | 2210-B-7568 | 42224 | Eaton Top Spec | R002304 |
| 41566 | Haldex | 2210-U-7587 | 42226 | Eaton | R002462 |
| 41567 | Haldex | 2210-T-7586 | 42227 | Eaton | R002462 |
| 41568 | Haldex | 2210-C-7595 | 42228 | Eaton | R002461 |
| 41569 | Haldex | 2210-B-7594 | 42231 | Eaton | R002464 |
| 41662 | Haldex | 2210-W-7537 | 42233 | Eaton | R002468 |
| 41663 | Haldex | 2210-V-7536 | 42234 | Eaton | R002467 |
| 41714 | Haldex | R607024 | 4231 | Dayton Parts | KIT-9022B |
| 41715 | Haldex | R607023 | 426 | Dana | R700458 |
| 41718 | Haldex | R607010 | 427 | Aimco | R700427 |
| 41719 | Haldex | R607009 | 427 | Dana | R700427 |
| 41722 | Haldex | R607008 | 427 | Rome | R700427 |
| 41723 | Haldex | R607007 | 427 | Sirco Brake | R700427 |
| 41752 | Haldex | R607068 | 42710553K | Haldex | R810300 |
| 41753 | Haldex | R607067 | 42710566 | Haldex | R810302 |
| 41754 | Haldex | R607034 | 42710566K | Haldex | R810302 |
| 41755 | Haldex | R607033 | 42710567K | Haldex | R810303 |
| 41758 | Haldex | 2210-V-8160 | 42793 | Budd | R005796 |
| 41759 | Haldex | 2210-U-8159 | 4284P | Dana | R700012 |
| 41760 | Haldex | R607016 | 42A | Spicer | R507014 |
| 41761 | Haldex | R607015 | 4311 | Rome | R4311 |
| 41762 | Haldex | R607006 | 43115 | UBS | R4311 |

CROSS REFERENCE

| PART# | COMPETITOR | MERITOR# | PART# | COMPETITOR | MERITOR# |
|-----------|---------------|---------------|--------------|---------------|-----------------|
| 4311E | Dana | R4311 | 4514EZT | Brunner/Semac | A-3222-C-1381 |
| 4311EBULK | Dana | R4311 | 4514EZT | Eaton | A-3222-C-1381 |
| 4311EBULK | Spicer | R4311 | 4514EZT | Uni-Bond | A-3222-C-1381 |
| 4311EHD | Sirco Brake | MKT-4311EHDN | 4514P | Spicer | A-3222-X-1142 |
| 4311J | Aimco | R4311 | 4514P | Spicer | A-3722-L-64 |
| 4311J | Uni-Bond | R4311 | 4514Q | Dana | A-3222-C-1381 |
| 4311JD | Brunner/Semac | R4311 | 4514T | Aimco | A-3722-L-64 |
| 432 | Sirco Brake | R0010208R | 4514T | PAI/Excel | A-3722-L-64 |
| 433 | Sirco Brake | R0010208L | 4515/4707Q | Sirco Brake | KIT-8000 |
| 437029 | Spicer | R615009 | 4515/4707QHD | Sirco Brake | KIT-8000HD |
| 437031 | Dana | R615001 | 4515/4707QM | Sirco Brake | MKT-4515QMBN |
| 437033 | Spicer | R615001 | 4515/4707QMB | Sirco Brake | MKT-4515QMBN |
| 437034 | Dana | KIT-9078 | 4515/4707QMB | Sirco Brake | R508002 |
| 437035 | Spicer | R615008 | 4515EF | Aimco | A-3222-A-1717 |
| 437036 | Dana | KIT-9037 | 4515EF | Brunner/Semac | A-3222-A-1717 |
| 437037A | Spicer | KIT-8048 | 4515EF | Rome | A-3222-A-1717 |
| 437038 | Dana | R615006 | 4515EF | Uni-Bond | A-3222-A-1717 |
| 437040 | Spicer | R615000 | 4515ET | Aimco | A-3722-N-66 |
| 437041 | Dana | R615002 | 4515ET | Eaton | A-3722-N-66 |
| 437042 | Spicer | R615003 | 4515EZFX | Eaton | R704516 |
| 437043 | Dana | R615004 | 4515EZT | Aimco | A-3222-S-1293 |
| 437043A | Dana | R615004 | 4515EZT | Aimco | A91-3222-S-1293 |
| 437043A | Spicer | R615004 | 4515EZT | Eaton | A91-3222-S-1293 |
| 437046 | Spicer | KIT-9035 | 4515EZTF | Aimco | A-3222-N-1496 |
| 437046A | Spicer | KIT-9035 | 4515F | Aimco | A-3222-A-1717 |
| 437047 | Dana | KIT-8042 | 4515F | Brunner/Semac | A-3222-A-1717 |
| 437047 | Spicer | KIT-8042 | 4515F | Dana | A-3222-A-1717 |
| 437048A | Spicer | KIT-8033 | 4515F | Rome | A-3222-A-1717 |
| 437050 | Spicer | KIT-9304 | 4515F | UBS | A-3222-A-1717 |
| 437051 | Spicer | KIT-9300 | 4515FBULK | Dana | A-3222-A-1717 |
| 437059 | Spicer | KIT-8092 | 4515FBULK | Spicer | A-3222-A-1717 |
| 437060 | Spicer | R615013 | 4515FQ | Dana | A-3222-N-1496 |
| 437062 | Spicer | R615014 | 4515P | Spicer | A-3722-N-66 |
| 437064 | Spicer | R615016 | 4515PBULK | Spicer | A-3722-N-66 |
| 437068 | Spicer | R615018 | 4515PBULK | Spicer | R4515P |
| 437069 | Spicer | R615015 | 4515Q | Aimco | A91-3222-S-1293 |
| 437071 | Spicer | KIT-8058 | 4515Q | Dana | A-3222-S-1293 |
| 437072A | Spicer | KIT-8289 | 4515Q | Spicer | A91-3222-S-1293 |
| 437090 | Spicer | R615020 | 4515Q | Sirco Brake | KIT-8000 |
| 437100 | Spicer | KIT-8032 | 4515Q | Sirco Brake | MKT-4515QN |
| 437101 | Spicer | KIT-8033 | 4515Q | Spicer | R4515 |
| 43935 | Gunite | R005007 | 4515QBULK | Spicer | A-3222-S-1293 |
| 43939 | Kelsey-Hayes | R001905 | 4515QBULK | Spicer | A91-3222-S-1293 |
| 43943 | Eaton | R627005 | 4515QBULK | Spicer | R4515 |
| 43A | Dana | R507015 | 4515QHD | Sirco Brake | KIT-8000HD |
| 43A | Spicer | R507015 | 4515QHD | Sirco Brake | MKT-4515QHDN |
| 43P | H.D.A. | KIT-9037 | 4515T | Aimco | A-3722-N-66 |
| 442 | Dana | R700442 | 4515T | PAI/Excel | A-3722-N-66 |
| 445280 | Bendix | R670023 | 4515X | Sirco Brake | MKT-4515X |
| 44577 | Budd | R005798 | 4515X3 | Dana | A-3222-N-1496 |
| 44672E | Eaton | R587001 | 4515X3 | Spicer | R704516 |
| 44A | Spicer | KIT-8004 | 4515X3 | Spicer | R4515F3 |
| 44M009 | Anchorlok | 2797-D-56 | 4515X3BULK | Spicer | R704516 |
| 45010 | CR | A-1205-M-1625 | 4515X3BULK | Spicer | R4515F3 |
| 4514/49ET | Rome | A-3222-R-1422 | 4515XHD | Sirco Brake | MKT-4515XHD |
| 451449EST | Rome | A-3222-D-1356 | 4524EST | Rome | A-3222-E-1383 |
| 451449ET | Rome | A-3222-R-1422 | 4524ET | Aimco | A-3722-D-82 |
| 4514EST | Rome | A-3222-C-1381 | 4524ET | Brunner/Semac | A-3722-D-82 |
| 4514ET | Aimco | A-3222-X-1142 | 4524ET | PAI/Excel | A-3722-D-82 |
| 4514ET | Aimco | A-3722-L-64 | 4524ET | Rome | A-3722-D-82 |
| 4514EZT | Aimco | A-3222-C-1381 | 4524EZT | Aimco | A-3222-E-1383 |

CROSS REFERENCE

| PART# | COMPETITOR | MERITOR# | PART# | COMPETITOR | MERITOR# |
|-----------|----------------|---------------|----------|---------------|---------------|
| 4524EZT | Brunner/Semac | A-3222-E-1383 | 4647/401 | Brunner/Semac | R700401 |
| 4524EZT | Eaton | A-3222-E-1383 | 466884 | White Truck | R002433 |
| 4524EZT | Uni-Bond | A-3222-E-1383 | 466885 | White Truck | R005740 |
| 4524P | Dana | A-3722-D-82 | 4670 | Brunner/Semac | A-3222-V-2466 |
| 4524Q | Dana | A-3222-E-1383 | 4670FT | Dana | R704591 |
| 453127 | White Truck | R002435 | 4670Q | Dana | A-3222-V-2466 |
| 4536FC2 | Dana | R700027 | 4670ST | Rome | A-3222-V-2466 |
| 4536S | Spicer | R700005 | 467836 | White Truck | R002438 |
| 4549ET | Rome | A-3722-B-80 | 4692FC | Dana | R700011 |
| 4549T | Rome | A-3722-B-80 | 4692FC2 | Dana | R700028 |
| 455 | Dana | R700455 | 4692P | Dana | R700007 |
| 455 | Timken | R700455 | 46P | H.D.A. | KIT-9078 |
| 4551EST | Rome | R4551Q | 4707R | Dana | A-3222-D-2006 |
| 4551ET | Aimco | A-3222-L-1572 | 4709E | Dana | R4709 |
| 4551ET | Rome | A-3222-L-1572 | 4709ETN | Dana | R4709 |
| 4551EZT | Aimco | R4551Q | 47147 | Budd | R004979R |
| 4551EZT | Uni-Bond | R4551Q | 476375 | White Truck | R002340 |
| 4551P | Dana | A-3222-L-1572 | 476937 | Budd | R004961A |
| 4551Q | Dana | R4551Q | 47699 | CR | A-1205-R-1630 |
| 4551T | Aimco | A-3222-L-1572 | 47A | Dana | R507076 |
| 4551T | Brunner/Semac | A-3222-L-1572 | 48051 | Budd | R005577R |
| 4551T | UBS | A-3222-L-1572 | 48052 | Budd | R005577L |
| 4551ZT | Brunner/Semac | R4551Q | 481 | Sirco Brake | 20-X-481 |
| 45530 | Eaton Top Spec | R607149 | 481 | Sirco Brake | R005871L |
| 45531 | Eaton Top Spec | R607150 | 482 | Sirco Brake | 20-X-482 |
| 4561T | Dana | A-3222-P-1082 | 482 | Sirco Brake | R005871R |
| 4562A | UBS | A-3722-E-681 | 4851121 | Dayton Parts | R607324 |
| 45681 | Gunite | R005734 | 4851122 | Dayton Parts | R607323 |
| 458 | Aimco | R700458 | 48775 | Budd | R005793 |
| 458 | Dana | R700458 | 48966 | Budd | R005801 |
| 458 | Rome | R700458 | 48P | H.D.A. | R615002 |
| 458 | Timken | R700458 | 49301 | Gunite | R008942R |
| 458/426 | Rome | R700458 | 49302 | Gunite | R008942L |
| 4591S | Dana | R704591 | 4931421 | Dayton Parts | 2210-D-6868 |
| 4594E | Dana | R704595 | 4931422 | Dayton Parts | 2210-E-6869 |
| 4596D/381 | Brunner/Semac | R700381 | 49321 | Budd | R005802 |
| 4597 | Dayton Parts | KIT-902-B | 49328 | Budd | R004960 |
| 4597D/383 | Brunner/Semac | R700383 | 49414 | Budd | R007898R |
| 45A | Dana | R507068 | 49415 | Budd | R007898L |
| 45P | H.D.A. | KIT-970 | 49416 | Budd | R005576R |
| 46009 | Gunite | R005682 | 49416/17 | Budd | R005576R |
| 46010 | Gunite | R005683 | 49417 | Budd | R005576L |
| 4602RW | Dana | A-3222-S-2021 | 49541 | Budd | R008943R |
| 4602S | Aimco | A-3222-S-2021 | 49542 | Budd | R008943L |
| 4602S | Brunner/Semac | A-3222-S-2021 | 49748 | Gunite | R005704 |
| 4602S | Dana | A-3222-S-2021 | 49851 | Budd | R004968R |
| 4602S | Rome | A-3222-S-2021 | 49852 | Budd | R004968L |
| 4602S | UBS | A-3222-S-2021 | 49P | H.D.A. | R615005 |
| 4602S | Uni-Bond | A-3222-S-2021 | 4W0800 | MEI | R810300 |
| 4602SB | H.D.A. | A-3222-S-2021 | 4W0805 | MEI | R810301 |
| 4615RW | Dana | A-3722-T-358 | 4W0810 | MEI | R810302 |
| 4615S | Aimco | A-3722-T-358 | 4W0815 | MEI | R810303 |
| 4615S | PAI/Excel | A-3722-T-358 | 4W0830 | MEI | R810306 |
| 4615S | UBS | A-3722-T-358 | 4W0835 | MEI | R810307 |
| 462596 | White Truck | R002435 | 4W0840 | MEI | R810308 |
| 462598 | White Truck | R005960 | 4W0855 | MEI | R810310 |
| 463 | Spicer | R700463 | 4W0865 | MEI | R810312 |
| 463 | Timken | R700463 | 4W8000 | MEI | R806026 |
| 4639D/442 | Brunner/Semac | R700442 | 4W8005 | MEI | R806006 |
| 4640/427 | Brunner/Semac | R700427 | 4W8010 | MEI | R806007 |
| 4646/400 | Brunner/Semac | R700400 | 4W8015 | MEI | R806013 |

CROSS REFERENCE

| PART# | COMPETITOR | MERITOR# | PART# | COMPETITOR | MERITOR# |
|---------|-------------|----------|---------|------------|----------|
| 4W8020 | MEI | R806014 | 501010L | Spicer | 20-X-67 |
| 4W8025 | MEI | R806015 | 501010L | Spicer | R005553L |
| 4W8030 | MEI | R806016 | 501010R | Spicer | R005553R |
| 4W8035 | MEI | R806019 | 501012L | Dana | R006023L |
| 4W8040 | MEI | R806021 | 501012L | Spicer | R006023L |
| 4W8045 | MEI | R806022 | 501012R | Dana | R006023R |
| 4W8050 | MEI | R806023 | 501012R | Spicer | R006023R |
| 4W8055 | MEI | R806024 | 501013L | Spicer | 20-X-41 |
| 4W8060 | MEI | R806012 | 501013L | Spicer | R005557L |
| 4W8065 | MEI | R806018 | 501013R | Spicer | 20-X-42 |
| 4W8070 | MEI | R806010 | 501013R | Spicer | R005557R |
| 4W8075 | MEI | R806017 | 501017L | Spicer | R005565L |
| 4W8080 | MEI | R806001 | 501017R | Spicer | R005565R |
| 4W8085 | MEI | R806009 | 501018L | Dana | R001014L |
| 4W8090 | MEI | R806501 | 501018L | Spicer | R001014L |
| 4W8095 | MEI | R806500 | 501018R | Dana | R001014R |
| 4W8100 | MEI | R806020 | 501018R | Spicer | R001014R |
| 4W8105 | MEI | R806011 | 501021L | Dana | R005989L |
| 4W8110 | MEI | R806005 | 501021L | Spicer | R005989L |
| 4W8115 | MEI | R806502 | 501021R | Dana | R005989R |
| 4W8120 | MEI | R806503 | 501021R | Spicer | R005989R |
| 4W8125 | MEI | R806504 | 501025L | Dana | R005932L |
| 4W8130 | MEI | R806505 | 501025L | Spicer | R005932L |
| 4W8135 | MEI | R806002 | 501025R | Dana | R005932R |
| 4W8140 | MEI | R806003 | 501025R | Spicer | R005932R |
| 4W8145 | MEI | R806008 | 501026L | Dana | R005931L |
| 4W8150 | MEI | R806000 | 501026L | Spicer | R005931L |
| 4W8155 | MEI | R806004 | 501026R | Dana | R005931R |
| 4W8160 | MEI | R806025 | 501026R | Spicer | R005931R |
| 4W8165 | MEI | R806507 | 501027L | Dana | R005933L |
| 4W8175 | MEI | R806506 | 501027L | Spicer | R005933L |
| 4W8745 | MEI | R810321 | 501027R | Dana | R005933R |
| 4W8860 | MEI | R810318 | 501027R | Spicer | R005933R |
| 4W8865 | MEI | R810325 | 501028L | Dana | R005929L |
| 4W8890 | MEI | R810324 | 501028L | Spicer | R005929L |
| 4W8905 | MEI | R810322 | 501028R | Dana | R005929R |
| 4W8915 | MEI | R810319 | 501028R | Spicer | R005929R |
| 4W8930 | MEI | R810326 | 501029L | Dana | R005930L |
| 4W8940 | MEI | R810320 | 501029L | Spicer | R005930L |
| 4W8985 | MEI | R810323 | 501029R | Spicer | R005930R |
| 5 | Sirco Brake | 20-X-85 | 501030L | Spicer | R005934L |
| 5 | Sirco Brake | R005560L | 501031R | Spicer | R006024R |
| 501000L | Spicer | R005558L | 501040L | Spicer | R008943L |
| 501000R | Spicer | R005558R | 501040R | Spicer | R008943R |
| 501003L | Spicer | R005556L | 501041L | Spicer | R005876L |
| 501003R | Spicer | 20-X-54 | 501041R | Spicer | R005876R |
| 501003R | Spicer | R005556R | 501042L | Dana | 20-X-461 |
| 501004L | Spicer | R005559L | 501042R | Dana | 20-X-460 |
| 501004R | Spicer | R005559R | 501043L | Dana | 20-X-469 |
| 501006L | Spicer | R005561L | 501043R | Dana | 20-X-468 |
| 501006R | Spicer | R005561R | 501050L | Dana | R005875L |
| 501007L | Spicer | R005560L | 501050L | Spicer | R005875L |
| 501007R | Spicer | R005560R | 501050R | Dana | R005875R |
| 501008L | Dana | R005551L | 501050R | Spicer | R005875R |
| 501008L | Spicer | R005551L | 501061L | Dana | R005713L |
| 501008R | Dana | R005551R | 501061L | Spicer | R005713L |
| 501008R | Spicer | R005551R | 501061R | Dana | R005713R |
| 501009L | Spicer | 20-X-71 | 501061R | Spicer | R005713R |
| 501009L | Spicer | R005585L | 501062L | Dana | 20-X-603 |
| 501009R | Spicer | 20-X-70 | 501062L | Spicer | 20-X-603 |
| 501009R | Spicer | R005585R | 501062L | Dana | R005714L |

CROSS REFERENCE

| PART# | COMPETITOR | MERITOR# | PART# | COMPETITOR | MERITOR# |
|---------|------------|-----------|----------|------------|-----------|
| 501062R | Dana | 20-X-604 | 501092L | Dana | R008995L |
| 501062R | Spicer | 20-X-604 | 501092L | Spicer | R008995L |
| 501062R | Dana | R005714R | 501092R | Dana | R008995R |
| 501063L | Dana | R005716L | 501092R | Spicer | R008995R |
| 501063L | Spicer | R005716L | 501093L | Dana | 20-X-1477 |
| 501063R | Dana | R005716R | 501093L | Spicer | 20-X-1477 |
| 501063R | Spicer | R005716R | 501093L | Dana | R009001L |
| 501064L | Dana | R005589L | 501093R | Dana | 20-X-1478 |
| 501064R | Dana | 20-X-602 | 501093R | Spicer | 20-X-1478 |
| 501064R | Spicer | 20-X-602 | 501093R | Dana | R009001R |
| 501064R | Dana | R005589R | 501095L | Dana | R005868L |
| 501066L | Dana | R005717L | 501095L | Spicer | R005868L |
| 501066L | Spicer | R005717L | 501095R | Dana | R005868R |
| 501067L | Dana | R005715L | 501095R | Spicer | R005868R |
| 501067L | Spicer | R005715L | 501096L | Dana | 20-X-587 |
| 501067R | Dana | R005715R | 501096L | Dana | R005985L |
| 501067R | Spicer | R005715R | 501096R | Dana | 20-X-586 |
| 501080L | Dana | 20-X-1563 | 501096R | Dana | R005985R |
| 501080L | Spicer | 20-X-1563 | 501097L | Dana | R005982L |
| 501080L | Dana | R005897L | 501097L | Spicer | R005982L |
| 501080R | Dana | 20-X-1564 | 501097R | Dana | R005982R |
| 501080R | Spicer | 20-X-1564 | 501097R | Spicer | R005982R |
| 501080R | Dana | R005897R | 501098L | Dana | 20-X-1475 |
| 501081L | Spicer | 20-X-379 | 501098L | Spicer | 20-X-1475 |
| 501081L | Spicer | R005749L | 501098L | Dana | R001623R |
| 501081R | Spicer | R005749R | 501098R | Dana | 20-X-1476 |
| 501082L | Dana | 20-X-369 | 501098R | Spicer | 20-X-1476 |
| 501082L | Dana | R005748L | 501098R | Dana | R001623L |
| 501082R | Dana | 20-X-370 | 501105R | Dana | 20-X-88 |
| 501082R | Dana | R005748R | 501106L | Dana | 20-X-365 |
| 501083L | Dana | 20-X-367 | 501106L | Dana | R008942L |
| 501083L | Spicer | 20-X-367 | 501106R | Dana | 20-X-366 |
| 501083R | Dana | 20-X-368 | 501106R | Dana | R008942R |
| 501083R | Spicer | 20-X-368 | 501110 | Spicer | R005682 |
| 501084R | Dana | 20-X-582 | 5011101R | Dana | R005558R |
| 501085L | Dana | 20-X-585 | 5011101R | Spicer | R005558R |
| 501085L | Spicer | 20-X-585 | 501111 | Spicer | R005683 |
| 501085L | Dana | R005750L | 501115 | Spicer | R0010229 |
| 501085R | Dana | 20-X-584 | 501120R | Dana | R004964R |
| 501085R | Spicer | 20-X-584 | 501120R | Spicer | R004964R |
| 501085R | Dana | R005750R | 501121L | Dana | R005764L |
| 501086L | Dana | 20-X-676 | 501121L | Spicer | R005764L |
| 501086L | Spicer | 20-X-676 | 501122L | Spicer | R004965L |
| 501086R | Dana | 20-X-675 | 501122R | Spicer | R004965R |
| 501086R | Spicer | 20-X-675 | 501123L | Spicer | R004966L |
| 501087L | Dana | R005986L | 501123R | Dana | R004966R |
| 501087L | Spicer | R005986L | 501123R | Spicer | R004966R |
| 501087R | Dana | R005986R | 501124L | Dana | R005870L |
| 501087R | Spicer | R005986R | 501124L | Spicer | R005870L |
| 501088L | Dana | 20-X-747 | 501124R | Spicer | R005870R |
| 501088L | Spicer | 20-X-747 | 501127L | Dana | R004967L |
| 501088L | Dana | R005899L | 501127R | Dana | R004967R |
| 501088R | Dana | 20-X-746 | 501128L | Spicer | R004968L |
| 501088R | Spicer | 20-X-746 | 501128R | Spicer | R004968R |
| 501088R | Dana | R005899R | 501129 | Spicer | R005776 |
| 501089L | Dana | 20-X-589 | 501131L | Spicer | R004969L |
| 501089L | Spicer | 20-X-589 | 501131R | Spicer | R004969R |
| 501089L | Dana | R005898L | 501132 | Spicer | R005703 |
| 501089R | Dana | 20-X-588 | 501133L | Dana | R005765L |
| 501089R | Spicer | 20-X-588 | 501133L | Spicer | R005765L |
| 501089R | Dana | R005898R | 501133R | Spicer | R005765R |

CROSS REFERENCE

| PART# | COMPETITOR | MERITOR# | PART# | COMPETITOR | MERITOR# |
|---------|------------|-----------|---------|------------|-----------|
| 501134L | Dana | R005756L | 501173L | Spicer | R005722L |
| 501134L | Spicer | R005756L | 501173R | Spicer | 20-X-1283 |
| 501134R | Dana | R005756R | 501173R | Spicer | R005722R |
| 501134R | Spicer | R005756R | 501173R | Spicer | R005722R |
| 501135L | Spicer | R005757L | 501174L | Dana | 20-X-409Z |
| 501135R | Spicer | R005757R | 501174R | Dana | 20-X-408Z |
| 501136L | Spicer | R005766L | 501181L | Dana | 20-X-481 |
| 501136R | Spicer | R005766R | 501181L | Dana | R005871L |
| 501137L | Dana | R005869L | 501181L | Spicer | R005871L |
| 501137L | Spicer | R005869L | 501181R | Dana | 20-X-482 |
| 501137R | Dana | R005869R | 501181R | Spicer | 20-X-482 |
| 501137R | Spicer | R005869R | 501181R | Dana | R005871R |
| 501152L | Dana | R008994L | 501182L | Spicer | R005896L |
| 501152L | Spicer | R008994L | 501182R | Spicer | R005896R |
| 501152R | Dana | R008994R | 501183L | Dana | 20-X-853 |
| 501152R | Spicer | R008994R | 501183L | Spicer | 20-X-853 |
| 501155L | Dana | R008992L | 501183L | Dana | R005909L |
| 501155L | Spicer | R008992L | 501183R | Dana | 20-X-852 |
| 501155R | Dana | R008992R | 501183R | Spicer | 20-X-852 |
| 501155R | Spicer | R008992R | 501183R | Dana | R005909R |
| 501156L | Spicer | R008993L | 501184L | Spicer | 20-X-1285 |
| 501156R | Dana | R008993R | 501184L | Spicer | R005908L |
| 501156R | Spicer | R008993R | 501184L | Spicer | R005908L |
| 501160L | Dana | 20-X-209 | 501184R | Spicer | 20-X-1284 |
| 501160L | Spicer | 20-X-209 | 501184R | Spicer | R005908R |
| 501160L | Dana | R005718L | 501184R | Spicer | R005908R |
| 501160R | Dana | 20-X-208 | 501185L | Dana | R005983L |
| 501160R | Spicer | 20-X-208 | 501185L | Spicer | R005983L |
| 501160R | Dana | R005718R | 501185R | Dana | R005983R |
| 501161L | Dana | R005719L | 501185R | Spicer | R005983R |
| 501161R | Dana | R005719R | 501190L | Dana | R005758L |
| 501162L | Dana | 20-X-403 | 501190R | Dana | 20-X-244 |
| 501162L | Dana | R005911L | 501190R | Dana | R005758R |
| 501162R | Dana | R005911R | 501191L | Dana | 20-X-243 |
| 501163L | Dana | 20-X-832 | 501191L | Dana | R005763L |
| 501163L | Spicer | 20-X-832 | 501191R | Dana | 20-X-242 |
| 501163L | Dana | R005900R | 501191R | Dana | R005763R |
| 501163R | Dana | 20-X-831 | 501195L | Dana | 20-X-803 |
| 501163R | Spicer | 20-X-831 | 501196L | Dana | 20-X-511 |
| 501163R | Dana | R005900L | 501196L | Spicer | 20-X-511 |
| 501164L | Dana | 20-X-207 | 501196R | Dana | 20-X-512 |
| 501164L | Spicer | 20-X-207 | 501196R | Spicer | 20-X-512 |
| 501164L | Dana | R005720L | 501200L | Dana | R005587L |
| 501164R | Dana | 20-X-206 | 501200L | Spicer | R005587L |
| 501164R | Spicer | 20-X-206 | 501201L | Dana | R004988L |
| 501164R | Dana | R005720R | 501201L | Spicer | R004988L |
| 501165L | Dana | 20-X-345 | 501201R | Dana | R004988R |
| 501165L | Dana | R005910L | 501201R | Spicer | R004988R |
| 501165R | Dana | R005910R | 501202L | Dana | R005588L |
| 501170L | Spicer | R005721L | 501202L | Spicer | R005588L |
| 501170R | Spicer | R005721R | 501202R | Dana | R005588R |
| 501171L | Dana | 20-X-781 | 501202R | Spicer | R005588R |
| 501171L | Dana | R008999L | 501202R | Spicer | R005588R |
| 501171R | Dana | R008999R | 501205L | Dana | R005618L |
| 501172L | Dana | 20-X-1283 | 501205R | Dana | 20-X-120 |
| 501172L | Spicer | 20-X-1283 | 501205R | Dana | R005618R |
| 501172L | Dana | R005907L | 501225 | Spicer | R005632 |
| 501172R | Dana | 20-X-1282 | 501231 | Spicer | R005631 |
| 501172R | Spicer | 20-X-1282 | 501240R | Dana | 20-X-1976 |
| 501172R | Dana | R005907R | 501240R | Spicer | 20-X-1976 |
| 501173L | Dana | R005722L | 501250L | Dana | 20-X-1463 |
| | | | 501250L | Spicer | 20-X-1463 |

CROSS REFERENCE

| PART# | COMPETITOR | MERITOR# | PART# | COMPETITOR | MERITOR# |
|---------|------------|-----------|--------------|-------------|-------------|
| 501250L | Dana | R005924L | 501326R | Dana | R005613R |
| 501250R | Dana | 20-X-1464 | 501326R | Spicer | R005613R |
| 501250R | Spicer | 20-X-1464 | 502786 | Fruehauf | R005551L |
| 501250R | Dana | R005924R | 502787 | Fruehauf | R005551R |
| 501251L | Dana | 20-X-1311 | 503550 | Chrysler | R007895R |
| 501251L | Spicer | 20-X-1311 | 503551 | Chrysler | R007895L |
| 501251L | Dana | R005916L | 504 | Sirco Brake | R003040R |
| 501251R | Dana | 20-X-1312 | 505 | Sirco Brake | R003040L |
| 501251R | Spicer | 20-X-1312 | 508865 | Fruehauf | R005560R |
| 501251R | Dana | R005916R | 509360 | Fruehauf | R005560L |
| 501252L | Dana | 20-X-1305 | 50P | H.D.A. | R615006 |
| 501252R | Dana | 20-X-1306 | 511003L | Dana | R005988L |
| 501253L | Dana | R005923L | 511003R | Dana | R005988R |
| 501253R | Dana | 20-X-1458 | 511005L | Dana | R007895L |
| 501253R | Spicer | 20-X-1458 | 511005R | Dana | 1199-J-114 |
| 501253R | Dana | R005923R | 511005R | Spicer | 1199-J-114 |
| 501260L | Dana | R006026L | 511005R | Dana | R007895R |
| 501260L | Spicer | R006026L | 511005RBULK | Dana | 1199-J-114 |
| 501260R | Dana | R006026R | 511005RBULK | Spicer | 1199-J-114 |
| 501260R | Spicer | R006026R | 511005RBULK | Spicer | R007895R |
| 501261L | Dana | R006028L | 511006L | Dana | R007896L |
| 501261L | Spicer | R006028L | 511006R | Dana | R007896R |
| 501261R | Dana | R006028R | 511007L | Dana | R007897L |
| 501261R | Spicer | R006028R | 511007R | Dana | R007897L |
| 501263L | Dana | R006058L | 511008L | Dana | 1199-W-1349 |
| 501263L | Spicer | R006058L | 511008L | Spicer | 1199-W-1349 |
| 501263R | Dana | R006058R | 511008L | Dana | R007898L |
| 501263R | Spicer | R006058R | 511008R | Dana | 1199-V-1348 |
| 501264L | Dana | R006059L | 511008R | Spicer | 1199-V-1348 |
| 501264L | Spicer | R006059L | 511008R | Dana | R007898R |
| 501264R | Dana | R006059R | 511009L | Spicer | 3280-S-7871 |
| 501264R | Spicer | R006059R | 511009L | Spicer | R005548L |
| 501265L | Spicer | R006027L | 511009L | Spicer | R005988L |
| 501265R | Spicer | R006027R | 511009L | Spicer | R005988L |
| 501267 | Spicer | R006036 | 511012L | Dana | 1199-M-117 |
| 501268 | Spicer | R006035 | 511012L | Spicer | 1199-M-117 |
| 501269 | Spicer | R006034 | 511012L | Dana | R005977L |
| 501274 | Spicer | R005993 | 511012LBULK | Dana | R005977LBK |
| 501276 | Spicer | R005992A | 511012R | Dana | 1199-N-118 |
| 501284 | Spicer | R005998 | 511012R | Spicer | 1199-N-118 |
| 501285 | Spicer | R005997 | 511012R | Dana | R005977R |
| 501286 | Spicer | R005999 | 511012R BULK | Dana | R005977RBK |
| 501290L | Spicer | R005921L | 511012RBULK | Spicer | 1199-N-118 |
| 501290R | Spicer | R005921R | 511013L | Dana | 1199-G-111 |
| 501291L | Spicer | R005922L | 511013L | Spicer | 1199-G-111 |
| 501291L | Spicer | R005923L | 511013L | Dana | R005652L |
| 501291R | Spicer | R005922R | 511013R | Dana | 1199-H-112 |
| 501295L | Spicer | 20-X-1233 | 511013R | Spicer | 1199-H-112 |
| 501295L | Spicer | R005918L | 511013R | Dana | R005652R |
| 501295L | Spicer | R005918L | 511014L | Dana | R006060L |
| 501295R | Spicer | 20-X-1234 | 511014R | Dana | R006060R |
| 501295R | Spicer | R005918R | 511014R | Spicer | R006060R |
| 501295R | Spicer | R005918R | 511015L | Dana | 1199-Y-1351 |
| 501297L | Spicer | 20-X-1227 | 511015L | Spicer | 1199-Y-1351 |
| 501297L | Spicer | R005920L | 511015L | Dana | R005576L |
| 501297L | Spicer | R005920L | 511015R | Dana | 1199-X-1350 |
| 501297R | Spicer | 20-X-1228 | 511015R | Spicer | 1199-X-1350 |
| 501297R | Spicer | R005920R | 511015R | Dana | R005576R |
| 501297R | Spicer | R005920R | 511016L | Dana | R005863L |
| 501321R | Dana | R005612R | 511016R | Dana | R005863R |
| 501321R | Spicer | R005612R | 511017L | Spicer | R005554L |

CROSS REFERENCE

| PART# | COMPETITOR | MERITOR# | PART# | COMPETITOR | MERITOR# |
|-----------|----------------|---------------|--------|----------------|-------------|
| 511017R | Dana | R005554R | 52238B | Eaton | R509000 |
| 511017R | Spicer | R005554R | 52239 | Eaton | R509001 |
| 511018L | Spicer | R005579L | 52239B | Eaton | R509001 |
| 511018R | Spicer | R005579R | 52240 | Eaton Top Spec | R507011 |
| 511019L | Dana | R005578L | 52240B | Eaton | R507011 |
| 511019L | Spicer | R005578L | 52242 | Eaton Top Spec | R507004 |
| 511019R | Spicer | R005577R | 52242B | Eaton | R507004 |
| 511029 | Spicer | R005892 | 52243 | Eaton Top Spec | R507002 |
| 511030 | Dana | R005734 | 52243B | Eaton | R507002 |
| 511031 | Spicer | R005704 | 52244 | Eaton Top Spec | R507015 |
| 511032 | Spicer | R005991 | 52244B | Eaton | R507015 |
| 511033 | Spicer | R006000A | 52244B | Eaton | R507015 |
| 511040L | Spicer | R005577L | 52245 | Eaton Top Spec | KIT-8000 |
| 511040R | Spicer | R005577R | 52245B | Eaton | KIT-8000 |
| 511403 | Spicer | R006053G | 52246 | Eaton Top Spec | R507006 |
| 511A | Spicer | KIT-9094 | 52246B | Eaton | R507006 |
| 512 | Spicer | R700458 | 52247 | Eaton Top Spec | R507008 |
| 514958001 | Fruehauf | A-3222-A-1717 | 52247B | Eaton | MKT-4515X |
| 514961900 | Fruehauf | A-3222-A-1717 | 52247B | Eaton | R507008 |
| 515147 | Fruehauf | 1225-L-1208 | 5247R | Erie | R005761 |
| 515147 | Fruehauf | R617001 | 5248U | Erie | R004963 |
| 5200 | Sirco Brake | R000572 | 5259 | Erie | R004956A |
| 5210 | Sirco Brake | R000540 | 5260 | Erie | R004963 |
| 52110 | Tramec | R823000 | 5270 | Erie | R004962 |
| 521300 | Spicer | R005570 | 5300 | Sirco Brake | R000573 |
| 521301 | Spicer | R005571AG | 53009 | Tramec | 2797-B-1042 |
| 521303 | Spicer | R005045 | 53012 | Tramec | 2797-D-56 |
| 521304 | Spicer | R005040AG | 53016 | Tramec | 2797-B-106 |
| 521305 | Spicer | R005044 | 530596 | Fruehauf | R000943 |
| 521306 | Spicer | R005572AG | 5312RH | Erie | R005978R |
| 521309 | Spicer | R005784G | 531306 | Spicer | R005706 |
| 521310 | Spicer | R005785G | 531378 | Chrysler | R005957 |
| 521326 | Spicer | R005035 | 5313LH | Erie | R005978L |
| 521335 | Spicer | R005906 | 531500 | Spicer | R004958 |
| 521336 | Spicer | R005904AG | 531501 | Spicer | R004956A |
| 521337 | Spicer | R005904AG | 531502 | Spicer | R004957 |
| 521368 | Spicer | R006054G | 531511 | Spicer | R005726 |
| 521369 | Spicer | R005837 | 531513 | Spicer | R005727 |
| 521370 | Spicer | R005747 | 531514 | Spicer | R004955 |
| 521375 | Spicer | R005055 | 531517 | Spicer | R005728 |
| 521378 | Spicer | R005822 | 531518 | Spicer | R005729 |
| 521379 | Spicer | R005820 | 531522 | Spicer | R005010 |
| 521382 | Spicer | R005821G | 531530 | Spicer | R005887 |
| 521385 | Spicer | R005885G | 531539 | Spicer | R004990A |
| 521390 | Spicer | R005883 | 531540 | Spicer | R005012 |
| 521392 | Spicer | R005827G | 531551 | Spicer | R005761 |
| 521394 | Spicer | R005828G | 531555 | Spicer | R005018 |
| 521395 | Spicer | R005829G | 531560 | Spicer | R004962 |
| 521405 | Spicer | R005824 | 531561 | Spicer | R004963 |
| 521407 | Spicer | R005825 | 531565 | Spicer | R004962 |
| 521410 | Spicer | R005953G | 531566 | Spicer | R004963 |
| 521415 | Spicer | R005745G | 531A | Dana | R507073 |
| 521422 | Spicer | R005890 | 531A | Spicer | R507073 |
| 521430 | Spicer | R005902G | 5326RH | Erie | R006000A |
| 521431 | Spicer | R009023G | 53319 | Eaton | R507062 |
| 521440 | Spicer | R005927G | 53387 | Eaton | KIT-9094 |
| 52236B | Eaton | KIT-9017N | 534764 | Fruehauf | R005977R |
| 52236B | Eaton | R509000 | 534765 | Fruehauf | R005977L |
| 52237 | Eaton | KIT-9062N | 534766 | Fruehauf | R007895R |
| 52237B | Eaton | R509001 | 534767 | Fruehauf | R007895L |
| 52238 | Eaton Top Spec | R509000 | 534768 | Fruehauf | R005652R |

CROSS REFERENCE

| PART# | COMPETITOR | MERITOR# | PART# | COMPETITOR | MERITOR# |
|-----------|-------------|---------------|----------|-------------|---------------|
| 534769 | Fruehauf | R005652L | 542813 | CR | A-1205-P-1602 |
| 534770 | Fruehauf | R005558R | 544 | Sirco Brake | R005890 |
| 534771 | Fruehauf | R005558L | 544048 | CR | A-1205-V-1556 |
| 534772 | Fruehauf | R005561R | 54A | Dana | R507004 |
| 534773 | Fruehauf | R005561L | 5548L | Alcoa | R005548L |
| 534780 | Fruehauf | R005556R | 5548R | Alcoa | R005988R |
| 534781 | Fruehauf | R005556L | 5549L | Alcoa | R007895L |
| 534782 | Fruehauf | R005559R | 5549R | Alcoa | R007895R |
| 534783 | Fruehauf | R005559L | 5552L | Alcoa | R005977L |
| 534784 | Fruehauf | R005557R | 5552R | Alcoa | R005977R |
| 534785 | Fruehauf | R005557L | 5554L | Alcoa | R005554L |
| 535406 | Fruehauf | R005044 | 5554R | Alcoa | R005554R |
| 535414 | Fruehauf | R005572AG | 556 | Sirco Brake | R004975R |
| 535860PKG | Fruehauf | R004958 | 557 | Sirco Brake | R004975L |
| 535920 | Fruehauf | R005553R | 5575L | Alcoa | R007898L |
| 535921 | Fruehauf | R005553L | 5575R | Alcoa | R007898R |
| 536226 | Fruehauf | R005562L | 55A | Spicer | MKT-1308Q |
| 536227 | Fruehauf | R005562R | 5660 | Sirco Brake | R002237 |
| 536365 | Fruehauf | R004988L | 56AX128 | Mack | R007118 |
| 538U | Erie | R004962 | 56P | H.D.A. | R615009 |
| 53P | H.D.A. | R615008 | 5735L | Alcoa | R007896L |
| 54002R | Tramec | 2210-Z-6318 | 5735R | Alcoa | R007896R |
| 54003L | Tramec | 2210-A-6319 | 580443 | Fruehauf | 2210-N-2484 |
| 5402 | Sirco Brake | R001561 | 580443 | Fruehauf | R607082 |
| 5403 | Sirco Brake | R001559 | 580444 | Fruehauf | 2210-M-2483 |
| 54070L | Tramec | 2210-C-6165 | 580444 | Fruehauf | R607081 |
| 54071R | Tramec | 2210-D-6166 | 5808330 | Eaton | R507057 |
| 54153 | Eaton | R4311 | 5808330B | Eaton | R507057 |
| 541602 | Dana | R005796 | 582884 | Fruehauf | R005589R |
| 541602 | Spicer | SC718 | 582885 | Fruehauf | R005589L |
| 541606 | Spicer | R005798 | 582886 | Fruehauf | R004969R |
| 541607 | Spicer | R005799 | 582887 | Fruehauf | R004969L |
| 541614 | Spicer | R005800 | 583015 | Fruehauf | 1218-G-85 |
| 541618 | Dana | R005947 | 585 | Dana | A-3222-F-1072 |
| 541619 | Spicer | R005801 | 585 | Rome | A-3222-F-1072 |
| 541620 | Dana | R004953 | 585 | Uni-Bond | A-3222-F-1072 |
| 541620 | Spicer | 4-X-1051 | 585192 | Chrysler | R005652R |
| 541621 | Dana | R005872 | 585193 | Chrysler | R005652L |
| 541624 | Spicer | R005955 | 585194 | Chrysler | R005977R |
| 541626 | Spicer | R005802 | 585195 | Chrysler | R005977L |
| 541627 | Spicer | R004960 | 585S | Rome | A-3222-F-1982 |
| 541630 | Dana | R005737 | 585ST | Dana | A-3222-F-1982 |
| 541631 | Spicer | R005736 | 585ST | Rome | A-3222-F-1982 |
| 541633 | Spicer | R005739 | 58AX117 | Mack | R567023 |
| 541634 | Spicer | R005740 | 59066 | Budd | R005756R |
| 541635 | Dana | R005740 | 59066/67 | Budd | R005756R |
| 541636 | Spicer | R005742 | 59067 | Budd | R005756L |
| 541637 | Spicer | R005743 | 59183 | Budd | R004969R |
| 541638 | Dana | R005960 | 59183/84 | Budd | R004969R |
| 541640 | Spicer | R005961 | 59184 | Budd | R004969L |
| 541641 | Dana | R005032 | 59191 | Budd | R004965R |
| 541643 | Spicer | R005963 | 59192 | Budd | R004965L |
| 541644 | Spicer | R005964 | 59263 | Budd | R004966R |
| 541647 | Spicer | R005970 | 59263/64 | Budd | R004966R |
| 541648 | Spicer | R005972 | 59264 | Budd | R004966L |
| 541650 | Spicer | R005970 | 59364 | Budd | R004964R |
| 541651 | Spicer | R005972 | 59364/65 | Budd | R004964R |
| 541660 | Spicer | R005970 | 59371 | Budd | R005869R |
| 541661 | Spicer | R005972 | 59371/72 | Budd | R005869R |
| 542512 | CR | A-1205-Z-1638 | 5937172 | Budd | R005869R |
| 542671 | CR | A-1205-V-1556 | 59372 | Budd | R005869L |

CROSS REFERENCE

| PART# | COMPETITOR | MERITOR# | PART# | COMPETITOR | MERITOR# |
|----------|----------------|----------|------------|-------------|-----------------|
| 59373 | Budd | R005766R | 63866 | Budd | 20-X-468 |
| 59373/74 | Budd | R005766R | 63867 | Budd | 20-X-469 |
| 59374 | Budd | R005766L | 63A | Dana | R507057 |
| 59375 | Budd | R005757R | 63A | Spicer | R507057 |
| 59375/76 | Budd | R005757R | 63Spicer23 | Mack | R005960 |
| 59376 | Budd | R005757L | 63Spicer29 | Mack | R005952 |
| 59536 | Budd | R005618R | 6471 | Dana | R002461 |
| 59536/37 | Budd | R005618R | 65302 | Haldex | A-1205-S-1943 |
| 59537 | Budd | R005618L | 65303 | Haldex | 5-X-640 |
| 5977L | Alcoa | R005977L | 65304 | Haldex | 1205-K-193 |
| 5977R | Alcoa | R005977R | 65306 | Haldex | 1225-F-266 |
| 5978L | Alcoa | R005978L | 65307 | Haldex | 1259-R-252 |
| 5978R | Alcoa | R005978R | 65308 | Haldex | 1259-R-252 |
| 5988L | Alcoa | R005988L | 65309 | Haldex | 2258-K-349 |
| 5988R | Alcoa | R005988R | 65310 | Haldex | 2258-P-354 |
| 59891 | Budd | R005018 | 65311 | Haldex | 1229-T-3166 |
| 5995L | Alcoa | R005995L | 65313 | Haldex | 1229-J-868 |
| 5995R | Alcoa | R005995R | 65318 | Haldex | 1229-Z-1118 |
| 5996L | Alcoa | R005996L | 65320 | Haldex | R567502 |
| 5996R | Alcoa | R005996R | 65326 | Haldex | 2297-T-7222 |
| 6.36E+05 | Budd | R005720L | 65327 | Haldex | 1718-Y-103 |
| 6.36E+05 | Budd | R005720R | 65328 | Haldex | 1259-Q-251 |
| 607 | Sirco Brake | R005761 | 65329 | Haldex | 1225-L-1208 |
| 60P | H.D.A. | KIT-9034 | 65334 | Haldex | R567007 |
| 611R | Sirco Brake | R005988R | 65337 | Haldex | 2258-P-354 |
| 612L | Sirco Brake | R005548L | 65338 | Haldex | 1229-Q-771 |
| 616973 | Bendix | R607263 | 65339 | Haldex | 1229-R-122 |
| 61968 | Budd | R004967R | 65340 | Haldex | 1229-G-1463 |
| 61969 | Budd | R004967L | 65349 | Haldex | A25-3222-D-1954 |
| 6200 | Haldex | R823000 | 65351 | Haldex | 1218-G-85 |
| 621L | Sirco Brake | R007897L | 65352 | Haldex | A-1205-V-1556 |
| 621R | Sirco Brake | R007897R | 65354 | Haldex | R567007 |
| 62248 | Eaton Top Spec | KIT-9037 | 65357 | Haldex | A-3222-A-1717 |
| 62250 | Eaton Top Spec | KIT-9078 | 65358 | Haldex | 1229-X-1116 |
| 62251 | Eaton Top Spec | KIT-970 | 65359 | Haldex | R657001 |
| 62253 | Eaton Top Spec | KIT-8042 | 65368 | Haldex | R000943 |
| 62254 | Eaton Top Spec | R615008 | 65369 | Haldex | 1259-M-1131 |
| 62255 | Eaton | R615007 | 65373 | Haldex | 1229-B-1848 |
| 62256 | Eaton Top Spec | R615006 | 65373 | Haldex | 1229-G-2971 |
| 62257 | Eaton Top Spec | R615005 | 65376 | Haldex | R527002 |
| 62258 | Eaton | R615013 | 65377 | Haldex | R627002 |
| 62259 | Eaton | R615002 | 65378 | Haldex | R657003 |
| 6251 | Sirco Brake | R005720R | 65379 | Haldex | R627017 |
| 6253 | Sirco Brake | R005719R | 65380 | Haldex | R617007 |
| 6262 | Sirco Brake | R005718L | 65383 | Haldex | R627018 |
| 6263 | Sirco Brake | R005719L | 65384 | Haldex | R617003 |
| 62707 | Eaton Top Spec | KIT-971 | 65385 | Haldex | 2258-E-629 |
| 62708 | Eaton Top Spec | KIT-9035 | 65387 | Haldex | 3280-Y-8189 |
| 62708 | Haldex | KIT-9035 | 65391 | Haldex | 1227-E-1487 |
| 62709 | Eaton Top Spec | R615001 | 65397 | Haldex | 2297-Z-5330 |
| 62710 | Eaton Top Spec | KIT-8048 | 65398 | Haldex | 2297-Y-5329 |
| 62712 | Eaton | R615009 | 654 | Sirco Brake | R004958 |
| 62713 | Eaton | R615008 | 65402 | Haldex | R670028 |
| 62718 | Eaton Top Spec | R615004 | 65421 | Haldex | R547030 |
| 631A | Dana | R507064 | 65422 | Haldex | R570005 |
| 631A | Dana | R507064 | 65423 | Haldex | 1229-D-2942 |
| 631A | Spicer | R507064 | 65424 | Haldex | R547031 |
| 63385 | Budd | R005715R | 65425 | Haldex | R547032 |
| 63386 | Budd | R005715L | 65428 | Haldex | R567023 |
| 63402 | Eaton | R823000 | 65430 | Haldex | R517006 |
| 63606 | Budd | R005800 | 65431 | Haldex | R517509 |

CROSS REFERENCE

| PART# | COMPETITOR | MERITOR# | PART# | COMPETITOR | MERITOR# |
|--------|--------------|---------------|----------|------------|----------------|
| 65434 | Haldex | R617001 | 66549 | Haldex | A2-3105-G-1151 |
| 65435 | Haldex | 1779-C-81 | 66563 | Haldex | A-1205-V-1556 |
| 65437 | Haldex | 1225-U-151 | 66610 | Haldex | 1199-U-3765 |
| 65441 | Haldex | 1225-R-512 | 66612 | Haldex | 2258-R-590 |
| 65444 | Haldex | 2258-V-256 | 66632 | Haldex | R517010 |
| 65449 | Haldex | 2258-Z-416 | 66634 | Haldex | R567004 |
| 65450 | Haldex | R567006 | 66635 | Haldex | 2258-V-256 |
| 65452 | Haldex | R627014 | 66636 | Haldex | R567003 |
| 65454 | Haldex | A-3222-S-2021 | 66640 | Haldex | 2258-E-629 |
| 65456 | Haldex | R4311 | 66645 | Haldex | R617009 |
| 65460 | Haldex | 2258-J-400 | 66646 | Haldex | 1225-R-1058 |
| 65463 | Haldex | R001561 | 66680 | Haldex | R670027 |
| 65470 | Haldex | 1779-D-82 | 66681 | Haldex | 1205-C-2005 |
| 65476 | Haldex | R617002 | 66683 | Haldex | R537001 |
| 65477 | Haldex | MKT-4709ES2N | 66691 | Haldex | A-1205-P-1602 |
| 65491 | Haldex | 1205-Q-2123 | 66692 | Haldex | 1229-B-236 |
| 65494 | Haldex | 1205-V-1452 | 66693 | Haldex | 1229-Q-277 |
| 655978 | Dayton Parts | 2258-L-1234 | 66695 | Haldex | 1107-D-56 |
| 65732 | Haldex | 1225-B-496 | 66697 | Haldex | 1229-P-302 |
| 659764 | Clark | 1229-Z-1118 | 66699 | Haldex | 1229-S-2697 |
| 6605 | Motor Wheel | R005708 | 66735 | Haldex | R509001 |
| 66101 | Haldex | R002550 | 66740 | Haldex | R615006 |
| 66108 | Haldex | 1229-G-709 | 66740(2) | Haldex | R615006 |
| 66114 | Haldex | R000572 | 66831 | Haldex | KIT-9034 |
| 66115 | Haldex | R000573 | 66834 | Haldex | 1199-G-3725 |
| 66117 | Haldex | R000540 | 66836 | Haldex | R567009 |
| 66121 | Haldex | R001251 | 66841 | Haldex | 1259-B-262 |
| 66122 | Haldex | R001252 | 66849 | Haldex | 2258-V-256 |
| 66123 | Haldex | 1227-B-678 | 66851 | Haldex | 1205-N-924 |
| 66125 | Haldex | R002128 | 66852 | Haldex | 1229-X-3118 |
| 66135 | Haldex | 1229-H-476 | 66860 | Haldex | R517508 |
| 66136 | Haldex | 1229-J-478 | 66861 | Haldex | MKT-4515QN |
| 66137 | Haldex | 1227-D-108 | 66863 | Haldex | 2258-Q-615 |
| 66138 | Haldex | 1227-S-1527 | 66864 | Haldex | 2258-U-619 |
| 66143 | Haldex | R002297 | 66866 | Haldex | 1259-N-274 |
| 66144 | Haldex | R002298 | 66867 | Haldex | MKT-4515QHDN |
| 66145 | Haldex | R002296 | 66868 | Haldex | KIT-8041 |
| 66154 | Haldex | 1227-F-162 | 66871 | Haldex | R517003 |
| 66155 | Haldex | R002301 | 66890 | Haldex | 1225-M-897 |
| 66156 | Haldex | 1229-H-1568 | 66891 | Haldex | R627026 |
| 66169 | Haldex | 1229-C-1693 | 66893 | Haldex | R547018 |
| 66182 | Haldex | 1227-U-515 | 66900 | Haldex | R627039 |
| 66184 | Haldex | 1229-C-1459 | 66901 | Haldex | 2297-T-7222 |
| 66196 | Haldex | 1227-T-540 | 66902 | Haldex | R517006 |
| 66197 | Haldex | 1229-G-1021 | 66903 | Haldex | 3105-B-210 |
| 66215 | Haldex | 1227-V-516 | 66906 | Haldex | R509000 |
| 66216 | Haldex | 1229-R-1058 | 66913 | Haldex | MKT-4515X |
| 66217 | Haldex | 1227-H-346 | 66914 | Haldex | MKT-4515XHD |
| 66224 | Haldex | R002303 | 66919 | Haldex | MKT-1308T |
| 66225 | Haldex | R002304 | 66922 | Haldex | KIT-9300 |
| 66226 | Haldex | R002305 | 67011 | Budd | R006060R |
| 66235 | Haldex | 1227-A-547 | 67012 | Budd | R006060L |
| 66236 | Haldex | 1229-V-48 | 67018 | Haldex | 1225-X-804 |
| 66237 | Haldex | 1227-P-328 | 67147 | Budd | R004975R |
| 66324 | Eaton | R002307 | 67148 | Budd | R004975L |
| 66425 | Haldex | 2258-H-580 | 67202 | Haldex | R005571AG |
| 66439 | Haldex | 2297-Y-5329 | 67209 | Haldex | R007895R |
| 66440 | Haldex | 2297-Z-5330 | 67210 | Haldex | R007895L |
| 66447 | Haldex | 2758-Q-43 | 67211 | Haldex | R005977L |
| 66477 | Budd | R005875R | 67212 | Haldex | R005977R |
| 66478 | Budd | R005875L | 67213 | Haldex | R005652R |

CROSS REFERENCE

| PART# | COMPETITOR | MERITOR# | PART# | COMPETITOR | MERITOR# |
|-------------|------------|--------------|-----------|----------------|-------------|
| 67214 | Haldex | R005652L | 67334(2) | Haldex | KIT-970 |
| 67224 | Haldex | R005558R | 67353 | Haldex | R615007 |
| 67225 | Haldex | R005558L | 67353 (2) | Haldex | R615007 |
| 67226 | Haldex | R005556R | 67354 | Haldex | R615004 |
| 67227 | Haldex | R005556L | 67354 (2) | Haldex | R615004 |
| 67228 | Haldex | R005559L | 67358 | Haldex | R617008 |
| 67228 | Leland | R005556L | 67359 | Haldex | 1205-X-726 |
| 67229 | Haldex | R005561R | 67359 | Haldex | R627019 |
| 67230 | Haldex | R005561L | 67360 | Haldex | R517004 |
| 67231 | Haldex | R005560R | 67361 | Haldex | R627009 |
| 67232 | Haldex | R005560L | 67362 | Haldex | R617006 |
| 67233 | Haldex | R005551R | 67363 | Haldex | R627015 |
| 67233/67234 | Haldex | R005551R | 67364 | Haldex | R617005 |
| 67234 | Haldex | R005551L | 67365 | Haldex | R547033 |
| 67235 | Haldex | R005585R | 67367 | Haldex | R517009 |
| 67236 | Haldex | R005585L | 67374 | Haldex | R627006 |
| 67237 | Haldex | R005553R | 67375 | Haldex | R627005 |
| 67238 | Haldex | R005553L | 67446 | Haldex | R567002 |
| 67241 | Haldex | R004965R | 67447 | Haldex | R517002 |
| 67242 | Haldex | R004965L | 67448 | Haldex | R527001 |
| 67245 | Haldex | R004967R | 67461 | Budd | R005612R |
| 67246 | Haldex | R004967L | 67461/62 | Budd | R005612R |
| 67247 | Haldex | R004968R | 67466 | Haldex | 2297-C-5021 |
| 67248 | Haldex | R004968L | 67467 | Haldex | 1246-F-1020 |
| 67249 | Haldex | R004969L | 67488 | Haldex | R547011 |
| 67250 | Haldex | R004969R | 67489 | Haldex | R547010 |
| 67266 | Haldex | R007898R | 67544 | Haldex | R005737 |
| 67267 | Haldex | R007898L | 67545 | Haldex | R005957 |
| 67289 | Haldex | R005720R | 67546 | Haldex | R005743 |
| 67290 | Haldex | R005720L | 676 | Sirco Brake | R0010676 |
| 67291 | Haldex | R005718R | 6788 | Dayton Parts | KIT-1190 |
| 67292 | Haldex | R005718L | 6823 | Eaton Top Spec | R002431 |
| 67295 | Haldex | R005714R | 69206 | Budd | R005717L |
| 67296 | Haldex | R005714L | 693 | Sirco Brake | R005932R |
| 67297 | Haldex | R005589L | 694 | Sirco Brake | R005932L |
| 67298 | Haldex | R005589R | 69912 | Budd | R005579R |
| 67303/67304 | Haldex | R005765R | 69913 | Budd | R005579L |
| 67305 | Haldex | R005749L | 6QD120 | Mack | R547029 |
| 67306 | Haldex | R005749R | 70306 | Eaton Top Spec | R607016 |
| 67307 | Haldex | R005750R | 70307 | Eaton Top Spec | R607015 |
| 67308 | Haldex | R005750L | 70308 | Eaton | R607261 |
| 67310 | Haldex | R005559R | 70309 | Eaton | R607262 |
| 67315 | Haldex | KIT-9017N | 70325 | Eaton | R567011 |
| 67315 | Haldex | R509000 | 70326 | Eaton | R567502 |
| 67316 | Haldex | R507011 | 70611 | Budd | R005988R |
| 67317 | Haldex | MKT-4515P | 70612 | Budd | R005548L |
| 67318 | Haldex | R507001 | 70613 | Budd | R005554L |
| 67319 | Haldex | MKT-4311EHDN | 70613/14 | Budd | R005554R |
| 67324 | Haldex | R615005 | 70614 | Budd | R005554R |
| 67324 (2) | Haldex | R615005 | 708 | Sirco Brake | R005784G |
| 67325 | Haldex | R002123 | 708AR | Sirco Brake | 1199-J-114 |
| 67326 | Haldex | R615002 | 708AR | Sirco Brake | R007895R |
| 67326(2) | Haldex | R615002 | 709AL | Sirco Brake | 1199-K-115 |
| 67327 | Haldex | KIT-9078 | 709AL | Sirco Brake | R007895L |
| 67327 (2) | Haldex | KIT-9078 | 71306 | Eaton Top Spec | R607030 |
| 67329 | Haldex | KIT-9037 | 71307 | Eaton Top Spec | R607029 |
| 67329 (2) | Haldex | KIT-9037 | 715 | Sirco Brake | R004956A |
| 67332 | Haldex | R615008 | 7153 | Dayton Parts | KIT-1191 |
| 67332 (2) | Haldex | R615008 | 716 | Sirco Brake | R004963 |
| 67334 | Haldex | KIT-970 | 716A | Sirco Brake | R004963 |
| 67334 (2) | Haldex | KIT-970 | 71736 | Budd | R005578R |

CROSS REFERENCE

| PART# | COMPETITOR | MERITOR# | PART# | COMPETITOR | MERITOR# |
|----------|----------------|-------------|----------|----------------|-------------|
| 71736/37 | Budd | R005577R | 72442 | Eaton Top Spec | 2210-N-4330 |
| 71737 | Budd | R005578L | 72443 | Eaton Top Spec | R607011 |
| 722 | Sirco Brake | R005902G | 72444 | Eaton Top Spec | R607012 |
| 72387 | Eaton | 2210-W-5639 | 72447 | Eaton Top Spec | R607019 |
| 72387 | Eaton Top Spec | R607091 | 72448 | Eaton Top Spec | R607020 |
| 72388 | Eaton | R607092 | 725 | Sirco Brake | R009023G |
| 72389 | Eaton Top Spec | R607035 | 7276 | Spicer | R002436 |
| 72390 | Eaton Top Spec | R607036 | 7277 | Spicer | R002433 |
| 72391 | Eaton Top Spec | R607071 | 7278 | Spicer | R002437 |
| 72392 | Eaton Top Spec | R607072 | 7279 | Spicer | R002438 |
| 72393 | Eaton Top Spec | R607075 | 7280 | Dana | R002340 |
| 72394 | Eaton Top Spec | R607076 | 7281 | Spicer | R002341 |
| 72395 | Eaton Top Spec | R607015 | 7283 | Spicer | R002434 |
| 72396 | Eaton Top Spec | R607016 | 7284 | Spicer | R002431 |
| 72397 | Eaton Top Spec | 2210-E-5725 | 73 | Sirco Brake | N-1121 |
| 72398 | Eaton | R607028 | 73 | Sirco Brake | R004961A |
| 72398 | Eaton Top Spec | 2210-F-5726 | 733113 | Eaton | R002437 |
| 72399 | Eaton Top Spec | R607029 | 733115 | Eaton | R002433 |
| 72400 | Eaton Top Spec | R607030 | 73694 | Eaton | R607049 |
| 72401 | Eaton | 2210-X-6316 | 73695 | Eaton | R607050 |
| 72402 | Eaton | 2210-Y-6317 | 73706 | Eaton | R607137 |
| 72403 | Eaton | R607063 | 73707 | Eaton | R607138 |
| 72404 | Eaton | R607064 | 74611 | Webb | R004962 |
| 72405 | Eaton Top Spec | R607083 | 74710 | Webb | R004963 |
| 72406 | Eaton Top Spec | R607084 | 75931/32 | Budd | R005713R |
| 72407 | Eaton Top Spec | R607025 | 76293 | Eaton Top Spec | R607149 |
| 72408 | Eaton Top Spec | R607026 | 76294 | Eaton Top Spec | R607150 |
| 72409 | Eaton Top Spec | R607003 | 7652 | Motor Wheel | R005710 |
| 72410 | Eaton Top Spec | R607004 | 76635 | Budd | R005863R |
| 72411 | Eaton Top Spec | R607082 | 76636 | Budd | R005863L |
| 72412 | Eaton Top Spec | R607081 | 7669 | Motor Wheel | R005711 |
| 72415 | Eaton | R607070 | 7806526 | Eaton | R607105 |
| 72416 | Eaton Top Spec | R607069 | 7806527 | Eaton | R607106 |
| 72417 | Eaton Top Spec | 2210-Z-6318 | 7806654 | Eaton | R607107 |
| 72418 | Eaton Top Spec | 2210-A-6319 | 7806655 | Eaton | R607108 |
| 72419 | Eaton Top Spec | R607005 | 7808708 | Eaton | R607111 |
| 72420 | Eaton Top Spec | R607006 | 7808709 | Eaton | R607112 |
| 72421 | Eaton | R607023 | 7810538 | Eaton | R607115 |
| 72422 | Eaton | R607024 | 7810539 | Eaton | R607116 |
| 72423 | Eaton Top Spec | R607009 | 78500 | Eaton | R615002 |
| 72424 | Eaton Top Spec | R607010 | 78580 | Eaton | R567006 |
| 72425 | Eaton | R607001 | 79903 | Eaton | R627008 |
| 72426 | Eaton | R607002 | 8 | Sirco Brake | R005885G |
| 72427 | Eaton Top Spec | R607007 | 800 | Sirco Brake | R005970 |
| 72428 | Eaton Top Spec | R607008 | 8004350 | Dayton Walther | R005799 |
| 72429 | Eaton Top Spec | R607068 | 8008551 | Dayton Walther | R005954 |
| 72430 | Eaton | R607067 | 800W | Sirco Brake | R002547 |
| 72430 | Eaton Top Spec | R607067 | 801 | Sirco Brake | R005971 |
| 72431 | Eaton | R607033 | 8017109 | MGM Brakes | 2797-B-1042 |
| 72432 | Eaton Top Spec | R607034 | 8017112 | MGM Brakes | 2797-D-56 |
| 72433 | Eaton Top Spec | 2210-J-7524 | 8017116 | MGM Brakes | 2797-B-106 |
| 72434 | Eaton Top Spec | 2210-H-7522 | 8017516 | MGM Brakes | 2797-B-106 |
| 72435 | Eaton Top Spec | 2210-W-7537 | 802 | Sirco Brake | R005972 |
| 72436 | Eaton Top Spec | 2210-V-7536 | 804017 | Eaton | R627012 |
| 72437 | Eaton Top Spec | 2210-R-8156 | 80433 | Wagner | R517001 |
| 72438 | Eaton | 2210-Q-8155 | 804365 | Eaton | R4311 |
| 72438 | Eaton Top Spec | 2210-Q-8155 | 805 | Sirco Brake | R002991 |
| 72439 | Eaton Top Spec | 2210-T-8158 | 805442 | Eaton | R4311 |
| 72440 | Eaton Top Spec | 2210-S-8157 | 805677 | Eaton | R700008 |
| 72441 | Eaton Top Spec | 2210-V-8160 | 806 | Sirco Brake | R004961A |
| 72442 | Eaton | 2210-U-8159 | 806229 | Eaton | R4709 |

CROSS REFERENCE

| PART# | COMPETITOR | MERITOR# | PART# | COMPETITOR | MERITOR# |
|----------|----------------|-------------|---------|----------------|------------|
| 806234 | Eaton | R517510 | 808173 | Eaton | R801045 |
| 806380 | Bendix | R627033 | 808173 | Eaton | R802333 |
| 806380 | Eaton | R627033 | 808173 | Eaton | R802513 |
| 806526 | Eaton | R607105 | 808174 | Eaton | R802417 |
| 806526 | Eaton Top Spec | R607105 | 808174 | Eaton | R802490 |
| 806527 | Eaton | R607106 | 808174 | Eaton | R802491 |
| 806527 | Eaton Top Spec | R607106 | 808175 | Eaton | R802444 |
| 806654 | Eaton | R607107 | 808175 | Eaton | R802445 |
| 806654 | Eaton Top Spec | R607107 | 808175 | Eaton | R802512 |
| 806655 | Eaton | R607108 | 808176 | Eaton | R801045 |
| 806655 | Eaton Top Spec | R607108 | 808176 | Eaton | R802333 |
| 80697 | Budd | R005716R | 808177 | Eaton | R802280 |
| 80697/98 | Budd | R005716R | 808177 | Eaton | R802281 |
| 80698 | Budd | R005716L | 808177 | Eaton | R802356 |
| 807 | Sirco Brake | R005970 | 808177 | Eaton | R802357 |
| 807286 | Eaton | R607025 | 808178 | Eaton | R802444 |
| 807286 | Eaton Top Spec | R607026 | 808178 | Eaton | R802445 |
| 807287 | Eaton | R607025 | 808178 | Eaton | R802512 |
| 807287 | Eaton Top Spec | R607025 | 808178 | Eaton | R802513 |
| 807304 | Eaton | R607046 | 808179 | Eaton | R802416 |
| 807304 | Eaton Top Spec | R607046 | 808179 | Eaton | R802490 |
| 807305 | Eaton | R607045 | 808179 | Eaton | R802491 |
| 807305 | Eaton Top Spec | R607045 | 808180 | Eaton | R801045 |
| 807685 | Eaton | R700017 | 808180 | Eaton | R802333 |
| 807858 | Eaton Top Spec | R607151 | 808290 | Eaton Top Spec | R607153 |
| 807859 | Eaton Top Spec | R607152 | 808291 | Eaton Top Spec | R607154 |
| 807862 | Eaton | R607155 | 808330 | Eaton | R507057 |
| 807862 | Eaton Top Spec | R607155 | 808382 | Eaton | R802281 |
| 807863 | Eaton | R607156 | 808382 | Eaton | R802356 |
| 807863 | Eaton Top Spec | R607156 | 808382 | Eaton | R802357 |
| 807928 | Eaton | 1229-J-868 | 808688 | Eaton | R801045 |
| 807929 | Eaton | 1229-X-1116 | 808688 | Eaton | R802333 |
| 808 | Sirco Brake | R005971 | 808708 | Eaton Top Spec | R607111 |
| 808058 | Eaton | 1718-Y-103 | 808709 | Eaton Top Spec | R607112 |
| 808064 | Eaton | R607281 | 809 | Sirco Brake | R005972 |
| 808065 | Eaton | R607282 | 809512 | Eaton | 1218-G-85 |
| 808068 | Eaton | R607279 | 809513 | Eaton | 2258-Q-615 |
| 808069 | Eaton | R607280 | 80AX269 | Mack | 1225-U-151 |
| 808072 | Eaton Top Spec | R607151 | 80AX395 | Mack | R570005 |
| 808073 | Eaton Top Spec | R607152 | 810025 | Eaton | R607113 |
| 808077 | Eaton | R607148 | 810026 | Eaton | R607114 |
| 808078 | Eaton | R607109 | 810213 | Eaton | R507084 |
| 808078 | Eaton | R607147 | 810214 | Eaton | R700019 |
| 808079 | Eaton | R607110 | 810538 | Eaton | R607115 |
| 808161 | Eaton | R802280 | 810539 | Eaton | R607116 |
| 808161 | Eaton | R802281 | 8107400 | Dana | R507015 |
| 808161 | Eaton | R802356 | 8107500 | Dana | R507068 |
| 808161 | Eaton | R802357 | 811340 | Eaton | R547026 |
| 808162 | Eaton | R801045 | 811406 | Eaton | R607283 |
| 808162 | Eaton | R802333 | 811407 | Eaton | R607284 |
| 808166 | Eaton | R802416 | 812 | Sirco Brake | R005589R |
| 808166 | Eaton | R802490 | 812114 | Eaton | R700020 |
| 808166 | Eaton | R802491 | 812118 | Eaton | R507085 |
| 808169 | Eaton | R802444 | 81269 | Budd | R005734 |
| 808169 | Eaton | R802445 | 813 | Sirco Brake | R005589L |
| 808169 | Eaton | R802512 | 813005 | Eaton | R700018 |
| 808169 | Eaton | R802513 | 81323 | Motor Wheel | R007897L |
| 808171 | Eaton | R802444 | 813480 | Eaton Top Spec | R607117 |
| 808171 | Eaton | R802445 | 813481 | Eaton Top Spec | R607118 |
| 808171 | Eaton | R802512 | 813482 | Eaton Top Spec | R607119 |
| 808171 | Eaton | R802513 | 813483 | Eaton Top Spec | R607120 |

CROSS REFERENCE

| PART# | COMPETITOR | MERITOR# | PART# | COMPETITOR | MERITOR# |
|---------|----------------|---------------|----------------|----------------|---------------|
| 813494 | Eaton Top Spec | R607123 | 82018 | Motor Wheel | R008994L |
| 813495 | Eaton | R607124 | 820182 | Eaton | 1229-B-1848 |
| 813648 | Eaton | R802444 | 820182 | Eaton | 1229-G-2971 |
| 813648 | Eaton | R802445 | 820183 | Eaton | 1225-L-1208 |
| 813648 | Eaton | R802512 | 820183 | Eaton | R617001 |
| 813649 | Eaton | R802417 | 820185 | Eaton | R627009 |
| 813649 | Eaton | R802490 | 8201932 | Dayton Walther | R005972 |
| 813649 | Eaton | R802491 | 8201943 | Dayton Walther | R005972 |
| 813652 | Eaton | R801045 | 820196 | Eaton | 1259-M-1131 |
| 813652 | Eaton | R802333 | 820243 | Eaton | R607024 |
| 813652 | Eaton | R802513 | 820244 | Eaton | R607023 |
| 813653 | Eaton | R802281 | 820244 | Eaton | R615000 |
| 813653 | Eaton | R802356 | 820249 | Eaton Top Spec | R607003 |
| 813653 | Eaton | R802357 | 820250 | Eaton Top Spec | R607004 |
| 813655 | Eaton | R801045 | 820276 | Eaton | R567004 |
| 813655 | Eaton | R802333 | 8203580 | Dayton Walther | R004957 |
| 813655 | Eaton | R802513 | 820394 | Eaton | R000540 |
| 81468 | Motor Wheel | R005631 | 820395 | Eaton Top Spec | R000572 |
| 815626 | Eaton | R507083 | 820396 | Eaton Top Spec | R000573 |
| 815806 | Bendix | R806024 | 82068 | Eaton Top Spec | R824000 |
| 815807 | Eaton | R806004 | 82069 | Eaton Top Spec | R824003 |
| 816077 | Eaton | R700022 | 82070 | Eaton Top Spec | R824007 |
| 817009 | Eaton | R567507 | 82072 | Eaton Top Spec | A-3275-J-686 |
| 817017 | Eaton | R567012 | 82074 | Eaton Top Spec | R824001 |
| 818426 | Eaton | R607147 | 82076 | Eaton Top Spec | R824012 |
| 819705 | Eaton | R700024 | 82095 | Motor Wheel | R008992R |
| 819706 | Eaton | R700025 | 82096 | Motor Wheel | R008992L |
| 819707 | Eaton | R4709G2 | 821233 | Eaton | 5-X-640 |
| 819708 | Eaton | R700026 | 821233 | Eaton | A-1205-S-1943 |
| 819725 | Eaton | R567505 | 821233 | Eaton | R547033 |
| 819784 | Eaton | R700026 | 821616 | Eaton | R587001 |
| 81A | Spicer | KIT-8081 | 822157 | Eaton Top Spec | R607024 |
| 81A | Spicer | R508053 | 822158 | Eaton Top Spec | R607023 |
| 820007 | Eaton | 1229-X-1116 | 823141 | Eaton | R507086 |
| 820008 | Eaton | R627014 | 8235A1205V1556 | Mack | A-1205-V-1556 |
| 820009 | Eaton | R627005 | 82525 | Budd | R005682 |
| 820012 | Eaton | 1259-N-1132 | 82526 | Budd | R005683 |
| 820012 | Eaton | 1259-R-252 | 825422 | Eaton | R607113 |
| 820063 | Eaton | 1229-T-3166 | 825424 | Eaton | R607115 |
| 820064 | Eaton | A-1205-V-1556 | 82573 | Budd | R005748R |
| 820073 | Eaton Top Spec | R607022 | 82574 | Budd | R005748L |
| 820074 | Eaton Top Spec | R607021 | 82575 | Budd | R005749R |
| 820083 | Eaton | 2210-C-6399 | 82576 | Budd | R005749L |
| 820083 | Eaton | R607041 | 82578 | Budd | R005721R |
| 820084 | Eaton | 2210-D-6400 | 82578/79 | Budd | R005721R |
| 820084 | Eaton | R607042 | 82579 | Budd | R005721L |
| 820092 | Eaton | R537003 | 82581 | Budd | R005714R |
| 820095 | Eaton | 1229-Z-1118 | 82582 | Budd | R005714L |
| 820102 | Eaton | R607017 | 82700 | Motor Wheel | R004961A |
| 820102 | Eaton Top Spec | R607018 | 82842 | Motor Wheel | R008993R |
| 820103 | Eaton | R607018 | 82843 | Motor Wheel | R008993L |
| 820108 | Eaton Top Spec | R607017 | 82853 | Budd | R005750R |
| 820110 | Eaton | R627018 | 83028 | Motor Wheel | R005632 |
| 820111 | Eaton | R627008 | 83812 | Budd | R005589R |
| 820112 | Eaton | 1225-U-151 | 83813 | Budd | R005589L |
| 820114 | Eaton | 1229-E-811 | 83818 | Budd | R005897R |
| 8201500 | Dayton Walther | R005972 | 83819 | Budd | R005897L |
| 820161 | Eaton | R517004 | 83851 | Budd | R005722R |
| 820164 | Eaton | R567003 | 83852 | Budd | R005722L |
| 82017 | Motor Wheel | R008994R | 83853 | Budd | R005750R |
| 820173 | Eaton | R700001 | 83854 | Budd | R005750L |

CROSS REFERENCE

| PART# | COMPETITOR | MERITOR# | PART# | COMPETITOR | MERITOR# |
|-------------|-------------|------------|----------|----------------|---------------|
| 8399B | H.D.A. | R005927G | 9007587 | Dayton Walther | R005927G |
| 84097 | Budd | R005765R | 90180 | Eaton Top Spec | R002464 |
| 84097/98 | Budd | R005765R | 90217 | Budd | R005937R |
| 84098 | Budd | R005765L | 90218 | Budd | R005937L |
| 8434 | Motor Wheel | R005708 | 90229 | Eaton | R002465 |
| 84523 | Motor Wheel | R005652R | 90441 | Motor Wheel | R008952R |
| 84524 | Motor Wheel | R005652L | 90442 | Motor Wheel | R008952L |
| 84525 | Motor Wheel | R007895R | 90513 | Budd | R005870R |
| 84526 | Motor Wheel | R007895L | 90513/14 | Budd | R005870R |
| 845260 | White Truck | R005957 | 90514 | Budd | R005870L |
| 84527 | Motor Wheel | R005977R | 90554 | Budd | R005764L |
| 84528 | Motor Wheel | R005977L | 911000 | Wagner | KIT-9017N |
| 84608 | Budd | R005704 | 911000 | Wagner | R509000 |
| 851 | Sirco Brake | R004968R | 911002 | Wagner | R507011 |
| 85106 | Budd | R005703 | 911003 | Wagner | R509001 |
| 85141 | Budd | R005776 | 911005 | Wagner | KIT-8000 |
| 852 | Sirco Brake | R004968L | 911007 | Wagner | MKT-4515QHDN |
| 85381 | Budd | R005868R | 911010 | Wagner | MKT-4311EHDN |
| 85382 | Budd | R005868L | 911011 | Wagner | MKT-4311EHDN |
| 858 | Sirco Brake | R005905AG | 911015 | Wagner | MKT-4515X |
| 85931 | Budd | R005713R | 911016 | Wagner | MKT-4515XHD |
| 86221 | Webb | R005969 | 911017 | Wagner | R507006 |
| 86222 | Webb | R005970 | 911019 | Wagner | R509000 |
| 86478 | Motor Wheel | R005872 | 911020 | Wagner | R509001 |
| 86797 | Motor Wheel | R005987R | 911030 | Wagner | MKT-1308E |
| 86798 | Motor Wheel | R005987L | 911031 | Wagner | MKT-1308T |
| 86897 | Motor Wheel | R005032 | 911032 | Wagner | MKT-1308Q |
| 87133 | Motor Wheel | R005018 | 91155 | Motor Wheel | R0010209R |
| 87142 | Motor Wheel | R008995R | 91156 | Motor Wheel | R0010209L |
| 87143 | Motor Wheel | R008995L | 91159 | Motor Wheel | R0010216 |
| 87521 | Webb | R005971 | 91161 | Motor Wheel | R0010215 |
| 87MS | Leland | RV387 | 91163 | Motor Wheel | R0010220 |
| 88013 | Budd | R007897R | 91165 | Motor Wheel | R0010219 |
| 88014 | Budd | R007897L | 912R | Sirco Brake | R005579R |
| 88108 | Motor Wheel | R005986R | 913L | Sirco Brake | R005579L |
| 88109 | Motor Wheel | R005986L | 914000 | Wagner | 2297-T-7222 |
| 881M | Sirco Brake | R005991 | 914001 | Wagner | 1779-C-81 |
| 88291 | Motor Wheel | R008996R | 914003 | Wagner | 1779-B-1172 |
| 88292 | Motor Wheel | R008996L | 914004 | Wagner | 1779-C-81 |
| 884 | Sirco Brake | R005993 | 914005 | Wagner | 1779-D-82 |
| 88422 | Eaton | 1225-B-496 | 914010 | Wagner | R517001 |
| 88799 | Motor Wheel | R005993 | 914012 | Wagner | R517006 |
| 88836 | Motor Wheel | R005992A | 914015 | Wagner | R517006 |
| 88881 | Motor Wheel | R005991 | 914020 | Wagner | R517509 |
| 888R | Sirco Brake | 1199-H-112 | 914024 | Wagner | 1259-N-1132 |
| 888R | Sirco Brake | R005652R | 914024 | Wagner | 1259-R-252 |
| 889L | Sirco Brake | 1199-G-111 | 914025 | Wagner | 1259-R-252 |
| 889L | Sirco Brake | R005652L | 914029 | Wagner | R537005 |
| 889LB/888RB | H.D.A. | R005652R | 914030 | Wagner | 1259-N-274 |
| 891AR | Sirco Brake | R005977R | 914032 | Wagner | 1259-B-262 |
| 891BR | Sirco Brake | 1199-N-118 | 914040 | Wagner | 1229-X-1116 |
| 892AL | Sirco Brake | 1199-M-117 | 914044 | Wagner | 1718-Y-103 |
| 892AL | Sirco Brake | R005977L | 914045 | Wagner | 3105-B-210 |
| 892BL | Sirco Brake | 1199-M-117 | 914047 | Wagner | R527002 |
| 89620 | Motor Wheel | R008997 | 914049 | Wagner | 1205-K-193 |
| 89695 | Eaton | R700008 | 914050 | Wagner | 5-X-640 |
| 896L | Sirco Brake | R007896L | 914052 | Wagner | A-1205-S-1943 |
| 896R | Sirco Brake | R007896R | 914054 | Wagner | 1229-B-1848 |
| 89774 | Motor Wheel | R006001 | 914054 | Wagner | 1229-G-2971 |
| 897L | Sirco Brake | R007897L | 914090 | Wagner | 1218-G-85 |
| 897R | Sirco Brake | R007897R | 914100 | Wagner | R567011 |

CROSS REFERENCE

| PART# | COMPETITOR | MERITOR# | PART# | COMPETITOR | MERITOR# |
|--------|-------------|-------------|--------|-------------|----------------|
| 914105 | Wagner | 2258-P-354 | 920015 | Wagner | KIT-9035 |
| 914109 | Wagner | 2258-G-579 | 920016 | Wagner | KIT-8048 |
| 914110 | Wagner | 2258-Q-615 | 920017 | Wagner | KIT-970 |
| 914111 | Wagner | 2258-U-619 | 920018 | Wagner | KIT-8048 |
| 914112 | Wagner | R567501 | 920021 | Wagner | KIT-8042 |
| 914114 | Wagner | 2258-U-619 | 920022 | Wagner | R615009 |
| 914115 | Wagner | R567502 | 920023 | Wagner | R615008 |
| 914116 | Wagner | R567009 | 920501 | Wagner | A2-3105-G-1151 |
| 916000 | Wagner | R004962 | 921 | Sirco Brake | A-1227Z1404 |
| 916001 | Wagner | R004963 | 921000 | Wagner | 1225-L-1208 |
| 916003 | Wagner | R004963 | 921000 | Wagner | R617001 |
| 916010 | Wagner | R004958 | 921001 | Wagner | R617003 |
| 916011 | Wagner | R004956A | 921002 | Wagner | R617001 |
| 916012 | Wagner | R005706 | 921004 | Wagner | R617002 |
| 916040 | Wagner | R005571AG | 921005 | Wagner | 1225-R-1058 |
| 916041 | Wagner | R005784G | 921006 | Wagner | R617007 |
| 916042 | Wagner | R005572AG | 921007 | Wagner | 1225-R-512 |
| 916045 | Wagner | R005040AG | 921007 | Wagner | 1225-X-336 |
| 916100 | Wagner | R007895R | 921008 | Wagner | R617009 |
| 916101 | Wagner | R007895L | 921009 | Wagner | R617006 |
| 916102 | Wagner | R007896R | 921010 | Wagner | R627029 |
| 916103 | Wagner | R007896L | 921011 | Wagner | 1225-M-897 |
| 916104 | Wagner | R007897R | 921012 | Wagner | R000943 |
| 916105 | Wagner | R007897L | 921013 | Wagner | R657003 |
| 916109 | Wagner | R005988L | 921014 | Wagner | R617005 |
| 916110 | Wagner | R005978R | 921020 | Wagner | KIT-9034 |
| 916111 | Wagner | R005978L | 921026 | Wagner | R627018 |
| 916112 | Wagner | R005988R | 921027 | Wagner | R627008 |
| 916113 | Wagner | R005988L | 921028 | Wagner | R627015 |
| 916116 | Wagner | R005977R | 921029 | Wagner | A-1205-P-1602 |
| 916117 | Wagner | R005977L | 921030 | Wagner | A-1205-V-1556 |
| 916150 | Wagner | R005871R | 921031 | Wagner | R627030 |
| 916151 | Wagner | R005871L | 921044 | Wagner | 1229-J-868 |
| 916152 | Wagner | R005896R | 921045 | Wagner | 1229-X-3118 |
| 916153 | Wagner | R005896L | 921046 | Wagner | 1229-Q-771 |
| 916156 | Wagner | R004968R | 921047 | Wagner | R627005 |
| 916157 | Wagner | R004968L | 921048 | Wagner | R627031 |
| 916202 | Wagner | R002550 | 921049 | Wagner | R627032 |
| 916203 | Wagner | R001561 | 921050 | Wagner | 1225-R-1136 |
| 916204 | Wagner | R001559 | 921050 | Wagner | 1229-Q-277 |
| 916205 | Wagner | R000540 | 921051 | Wagner | 1107-D-56 |
| 916206 | Wagner | R000572 | 921052 | Wagner | 1229-B-236 |
| 916207 | Wagner | R000573 | 921053 | Wagner | R627002 |
| 916210 | Wagner | 1227-B-678 | 921055 | Wagner | 1229-E-811 |
| 916211 | Wagner | R001251 | 921056 | Wagner | 1229-G-1463 |
| 916212 | Wagner | R001252 | 921057 | Wagner | R627006 |
| 916213 | Wagner | R002128 | 921059 | Wagner | R627005 |
| 920 | Sirco Brake | A-1227Z1404 | 921060 | Wagner | 1229-Z-1118 |
| 920000 | Wagner | R615001 | 921061 | Wagner | R627017 |
| 920001 | Wagner | R615013 | 921062 | Wagner | R627014 |
| 920002 | Wagner | KIT-9300 | 921063 | Wagner | R627012 |
| 920003 | Wagner | KIT-9304 | 924012 | Wagner | R824004 |
| 920005 | Wagner | R615002 | 926016 | Wagner | R870016 |
| 920007 | Wagner | R615003 | 926020 | Wagner | R870020 |
| 920008 | Wagner | R002123 | 926024 | Wagner | R870024 |
| 920009 | Wagner | R615004 | 926030 | Wagner | R870030 |
| 920010 | Wagner | R615005 | 928012 | Wagner | 2797-D-56 |
| 920011 | Wagner | R615006 | 928016 | Wagner | 2797-B-106 |
| 920012 | Wagner | R615007 | 931 | Sirco Brake | R005713R |
| 920013 | Wagner | KIT-9078 | 932 | Sirco Brake | R005713L |
| 920014 | Wagner | KIT-9037 | 95 | Sirco Brake | 20-X-55 |

CROSS REFERENCE

| PART# | COMPETITOR | MERITOR# | PART# | COMPETITOR | MERITOR# |
|-------------|----------------|---------------|--------------|----------------|----------------|
| 95 | Sirco Brake | R005556R | A3000 | Sirco Brake | R870030 |
| 95188 | Budd | R009022R | A301 | Eagle/Norcross | 1205-K-193 |
| 95189 | Budd | R009022L | A305 | Eagle/Norcross | A-1205-S-1943 |
| 95189 | Metform | R009022L | A311 | Eagle/Norcross | 1229-X-1116 |
| 95691 | Budd | R005933R | A339 | Eagle/Norcross | 1718-Y-103 |
| 95692 | Budd | R005933L | A341 | Eagle/Norcross | 3105-B-210 |
| 95693 | Budd | R005932R | A347 | Eagle/Norcross | 1218-G-85 |
| 95694 | Budd | R005932L | A373 | Eagle/Norcross | 1225-B-496 |
| 956LB/956RB | H.D.A. | R005978R | A436 | Eagle/Norcross | 2258-P-354 |
| 95707 | Budd | R005936R | A467 | Eagle/Norcross | 2258-Q-615 |
| 95708 | Budd | R005936L | A468 | Eagle/Norcross | 2258-U-619 |
| 95711 | Budd | R005935R | A470 | Eagle/Norcross | 2258-Z-416 |
| 95712 | Budd | R005935L | A490 | Eagle/Norcross | R567028 |
| 96 | Sirco Brake | 20-X-54 | A493 | Eagle/Norcross | 2258-R-590 |
| 96 | Sirco Brake | R005556L | A494 | Eagle/Norcross | 1199-U-3765 |
| 966691 | Fruehauf | A1-3236A-1249 | A495 | Eagle/Norcross | 1225-F-266 |
| 966692 | Fruehauf | A1-3236A-1249 | A496 | Eagle/Norcross | 1218-C-107 |
| 968 | Sirco Brake | 20-X-1812 | A512 | Eagle/Norcross | 1225-R-1058 |
| 968 | Sirco Brake | R004967R | A522 | Eagle/Norcross | 1225-B-834 |
| 969 | Sirco Brake | 20-X-1811 | A523 | Eagle/Norcross | 1225-A-833 |
| 969 | Sirco Brake | R004967L | A526 | Eagle/Norcross | 1225-U-151 |
| 97 | Sirco Brake | R005765R | A544 | Eagle/Norcross | 1225-X-804 |
| 978L | Sirco Brake | R005978L | A545A | Eagle/Norcross | 2258-P-354 |
| 978R | Sirco Brake | R005978R | A560 | Eagle/Norcross | A2-3105-G-1151 |
| 97AX19 | Mack | 1229-D-2942 | A571 | Eagle/Norcross | R630005 |
| 97AX75 | Mack | 1229-D-2942 | A584 | Eagle/Norcross | 1229-G-1463 |
| 98 | Sirco Brake | R005765L | A590 | Eagle/Norcross | 1229-Z-1118 |
| 98348 | Budd | R008946R | A602 | Eagle/Norcross | 1205-V-1452 |
| 98349 | Budd | R008946L | A604 | Eagle/Norcross | 1205-N-924 |
| 988 | Sirco Brake | 20-X-38 | A635B | H.D.A. | R001559 |
| 988 | Sirco Brake | R005559R | A642 | Eagle/Norcross | R627039 |
| 988L | Sirco Brake | R005988L | A654 | Eagle/Norcross | A-1205-V-1556 |
| 988LB/988RB | H.D.A. | R005988R | A7022 | Eagle/Norcross | R823000 |
| 988R | Sirco Brake | R005988R | A721 | Eagle/Norcross | 1229-Q-771 |
| 989 | Sirco Brake | 20-X-37 | A730 | Eagle/Norcross | 1229-X-3118 |
| 989 | Sirco Brake | R005559L | A734 | Eagle/Norcross | 1229-J-868 |
| 9890817 | Dayton Walther | R005784G | A8271 | Eagle/Norcross | 2210-C-6165 |
| 990 | Sirco Brake | 20-X-52 | A8272 | Eagle/Norcross | 2210-D-6166 |
| 990 | Sirco Brake | R005561R | A8299 | Eagle/Norcross | 2210-A-6319 |
| 991 | Sirco Brake | 20-X-53 | A8300 | Eagle/Norcross | 2210-Z-6318 |
| 991 | Sirco Brake | R005561L | AC32381 | Wagner | R823000 |
| 993 | Sirco Brake | R005040AG | ACA003265 | Fruehauf | R000943 |
| 99357 | Budd | R007051 | ACC001996902 | Fruehauf | R507011 |
| 993B | H.D.A. | R005040AG | ACC001996903 | Fruehauf | R507006 |
| 995L | Sirco Brake | R005995L | ACC001996923 | Fruehauf | R507008 |
| 995R | Sirco Brake | R005995R | ACD002193005 | Fruehauf | R607264 |
| 99616 | Budd | R005868R | ACD002193006 | Fruehauf | R607263 |
| 99617 | Budd | R005868L | ACD002193PK5 | Fruehauf | R607264 |
| 996L | Sirco Brake | R005996L | ACD002193PK6 | Fruehauf | R607263 |
| 996R | Sirco Brake | R005996R | ACD002227001 | Fruehauf | R700004 |
| 999100 | Standard Forge | R547005 | ACD002232001 | Fruehauf | R517002 |
| A169 | Eagle/Norcross | 1229-T-3166 | ACD002232PK1 | Fruehauf | R517002 |
| A189 | Eagle/Norcross | 2258-B-704 | ACD002233001 | Fruehauf | R527001 |
| A191 | Eagle/Norcross | 1246-F-1020 | ACD002285900 | Fruehauf | R617009 |
| A201 | Eagle/Norcross | 2297-T-7222 | ACD002287001 | Fruehauf | R567002 |
| A202 | Eagle/Norcross | 1779-C-81 | ACD007629PK3 | Fruehauf | R005589R |
| A203 | Eagle/Norcross | 1779-D-82 | ACD007629PK4 | Fruehauf | R005589L |
| A222 | Eagle/Norcross | R517006 | ACD21931 | Fruehauf | R607259 |
| A232 | Eagle/Norcross | 1259-N-274 | ACD21932 | Fruehauf | R607260 |
| A282 | Eagle/Norcross | R517006 | ACD21935 | Fruehauf | R607264 |
| A300 | Eagle/Norcross | 5-X-640 | ACD21936 | Fruehauf | R607263 |

CROSS REFERENCE

| PART# | COMPETITOR | MERITOR# | PART# | COMPETITOR | MERITOR# |
|--------------|------------|-----------------|--------------|-------------|-------------|
| ACD21936 | Holland | R607263 | AXA000420004 | Fruehauf | R607019 |
| ACD22331 | Fruehauf | R527001 | AXA000420005 | Fruehauf | R607161 |
| ACD2285900 | Fruehauf | R617009 | AXA000420006 | Fruehauf | R607162 |
| ACD7629PK1 | Fruehauf | R005589R | AXA000420900 | Fruehauf | R615005 |
| ACD7629PK2 | Fruehauf | R005589L | AXA000429900 | Fruehauf | R617007 |
| ACE006184001 | Fruehauf | A-3222-A-1717 | AXA000429PKG | Fruehauf | R617007 |
| ACE006184001 | Fruehauf | A-3222-A-1717 | AXA000432001 | Fruehauf | R627005 |
| ACE006367006 | Fruehauf | R870030 | AXA000449001 | Fruehauf | R823008 |
| ACE006367025 | Fruehauf | R870030 | AXA001011001 | Fruehauf | R823008 |
| ACE008510001 | Fruehauf | R002550 | AXA04081 | Fruehauf | R001561 |
| ACE009910001 | Fruehauf | 1779-B-1172 | AXA04081 | Holland | R001561 |
| ACE009910001 | Fruehauf | 2297-T-7222 | AXA04091 | Fruehauf | R001559 |
| ACE009911PKG | Fruehauf | 2258-U-619 | AXA04091 | Holland | R001559 |
| ACE009911PKG | Fruehauf | 2258-W-803 | AXA0413900 | Fruehauf | R657003 |
| ACE85101 | Fruehauf | R002550 | AXA04201 | Fruehauf | R607011 |
| ACF000015001 | Fruehauf | R823008 | AXA04202 | Fruehauf | R607012 |
| ACF000015PK1 | Fruehauf | R823008 | AXA04203 | Fruehauf | R607020 |
| ACF000015PK1 | Fruehauf | R824007 | AXA04204 | Fruehauf | R607019 |
| ACF001328001 | Fruehauf | R527002 | AXA04205 | Fruehauf | R607162 |
| ACF00266800X | Eaton | R547028 | AXA04205 | Holland | R607161 |
| ACF00266800X | Eaton | R547028 | AXA04206 | Fruehauf | R607161 |
| ACF003079001 | Fruehauf | 2258-Q-615 | AXA04206 | Fruehauf | R607161 |
| ACF003079PK1 | Fruehauf | 2258-Q-615 | AXA04206 | Holland | R607162 |
| ACF003378001 | Fruehauf | R537005 | AXA0429900 | Fruehauf | R617007 |
| ACF003379001 | Fruehauf | R704516 | B | Erie | R005571AG |
| ACF003379001 | Fruehauf | R4515F3 | B011 | Sirco Brake | 1205-K-193 |
| ACF004024001 | Fruehauf | R630006 | B052 | Sirco Brake | R517006 |
| ACF004362001 | Fruehauf | A-3222-S-1293 | B054 | Sirco Brake | R517002 |
| ACF004362001 | Fruehauf | A91-3222-S-1293 | B1000LB | H.D.A. | R607036 |
| ACF004362001 | Fruehauf | R4515 | B1000RB | H.D.A. | R607035 |
| ACF006414001 | Fruehauf | 2258-U-619 | B1006LB | H.D.A. | R607016 |
| ACF006414001 | Fruehauf | 2258-W-803 | B1006RB | H.D.A. | R607015 |
| ACF13281 | Fruehauf | R527002 | B1052LB | H.D.A. | R607018 |
| ACF30791 | Holland | 2258-Q-615 | B1052RB | H.D.A. | R607017 |
| ACF40241 | Fruehauf | A-3222-C-1381 | B1056LB | H.D.A. | R607072 |
| ACF40242 | Fruehauf | A-3222-E-1383 | B1056R | H.D.A. | R607071 |
| AE2220 | Wagner | R823000 | B1058LB | H.D.A. | R607076 |
| AE22451 | Wagner | R823000 | B1058RB | H.D.A. | R607075 |
| AE97535 | Wagner | R824012 | B1066LB | H.D.A. | 2210-Y-6317 |
| ANU9320 | PAI | R003501 | B1066RB | H.D.A. | 2210-X-6316 |
| APA000998001 | Fruehauf | R607163 | B1100LB | H.D.A. | R607032 |
| APA000998002 | Fruehauf | R607164 | B1100RB | H.D.A. | R607031 |
| APA09981 | Fruehauf | R607163 | B1106RB | H.D.A. | R607083 |
| APA09981 | Holland | R607163 | B1108LB | H.D.A. | R607081 |
| APA09982 | Fruehauf | R607164 | B1108RB | H.D.A. | R607082 |
| APA09982 | Holland | R607164 | B1110LB | H.D.A. | 2210-A-6319 |
| APA11971 | Fruehauf | R003130R | B1110RB | H.D.A. | 2210-Z-6318 |
| APA11972 | Fruehauf | R003130L | B1116RB | H.D.A. | R607001 |
| AS1032 | Gunite | R801041 | B1120RB | H.D.A. | R607033 |
| AS1036 | Gunite | R801001 | B1152LB | H.D.A. | R607004 |
| AS1132 | Gunite | R801041 | B1152RB | H.D.A. | R607003 |
| AS1140 | Gunite | R801073 | B1154LB | H.D.A. | R607006 |
| AXA000403001 | Fruehauf | R630006 | B1154RB | H.D.A. | R607005 |
| AXA000408001 | Fruehauf | R001561 | B1156LB | H.D.A. | R607024 |
| AXA000409001 | Fruehauf | R001559 | B1158LB | H.D.A. | R607010 |
| AXA000413900 | Fruehauf | R657003 | B1158RB | H.D.A. | R607009 |
| AXA000417001 | Fruehauf | R627002 | B1160LB | H.D.A. | R607008 |
| AXA000418001 | Fruehauf | R627017 | B1160RB | H.D.A. | R607007 |
| AXA000420001 | Fruehauf | R607011 | B1182LB | H.D.A. | R607070 |
| AXA000420002 | Fruehauf | R607012 | B1182RB | H.D.A. | R607069 |
| AXA000420003 | Fruehauf | R607020 | B120 | Sirco Brake | 1259-N-274 |

CROSS REFERENCE

| PART# | COMPETITOR | MERITOR# | PART# | COMPETITOR | MERITOR# |
|----------|----------------|---------------|---------|----------------|---------------|
| B1211 | Eaton | 1205-K-193 | B1713 | Eaton | 1225-F-266 |
| B12121 | Eaton | 1229-G-1463 | B17131 | Eaton | R570005 |
| B1214 | Eaton | 1229-X-1116 | B1716 | Eaton | 1229-Z-1118 |
| B1215 | Eaton | R627014 | B1716 | Eaton | 1229-Z-1118 |
| B1216 | Eaton | R627005 | B17351 | Eaton | R607018 |
| B1219 | Eaton | R517508 | B17351 | Eaton Top Spec | R607018 |
| B122 | Sirco Brake | 1259-V-308 | B17352 | Eaton | R607017 |
| B1221 | Eaton | 1229-J-868 | B17352 | Eaton Top Spec | R607017 |
| B1223 | Eaton | 1259-N-1132 | B1736 | Eaton | R627008 |
| B12232 | Eaton | 1259-R-252 | B1738 | Eaton | 1225-U-151 |
| B128310 | Eaton | R607051 | B1740 | Eaton | 1229-E-811 |
| B1283100 | Eaton | R607063 | B17501B | Eaton | A-3222-R-1422 |
| B1283101 | Eaton | R607052 | B18301B | Eaton | R700001 |
| B1283102 | Eaton | R607051 | B1969 | Eaton | R517004 |
| B12839 | Eaton | R607052 | B2010 | Eaton | R567003 |
| B128399 | Eaton | R607064 | B20121B | Eaton | R700001 |
| B132 | Sirco Brake | R517506 | B2019 | Eaton | 1229-B-1848 |
| B133 | Sirco Brake | R517003 | B2019 | Eaton | 1229-G-2971 |
| B134 | Sirco Brake | 1246-F-1020 | B2021 | Eaton | 1225-L-1208 |
| B135 | Sirco Brake | 2297-C-5021 | B2021 | Eaton | R617001 |
| B151 | Sirco Brake | 1718-Y-103 | B2023 | Eaton | 1259-N-1132 |
| B152 | Sirco Brake | R517509 | B2023 | Eaton | MPS-2003 |
| B1559 | Eaton | 1225-F-266 | B2028A | Eaton | R627009 |
| B1581 | Eaton | 1225-L-1208 | B2050LB | H.D.A. | R607011 |
| B1581 | Eaton | R617001 | B2050RB | H.D.A. | R607012 |
| B1599 | Eaton | 1225-F-266 | B206023 | Eaton | R607024 |
| B161 | Sirco Brake | 3105-B-210 | B206024 | Eaton | R615000 |
| B161B | Sirco Brake | 3105-B-210 | B206024 | Eaton | R607023 |
| B1661 | Eaton | 1229-T-3166 | B20603 | Eaton | R607004 |
| B1662 | Eaton | A-1205-V-1556 | B206037 | Eaton | R607004 |
| B1688A | Eaton | A1-3236A-1249 | B206038 | Eaton | R607003 |
| B16911 | Eaton | R607022 | B20604 | Eaton | R607003 |
| B16911 | Eaton Top Spec | R607022 | B206055 | Eaton | R607024 |
| B169110 | Eaton | 2210-H-2946 | B206056 | Eaton | R615000 |
| B169110 | Eaton | R607051 | B206056 | Eaton | R607023 |
| B1691131 | Eaton | R607022 | B2076 | Eaton | 1259-M-1131 |
| B1691131 | Eaton Top Spec | R607022 | B2081 | Eaton | R517508 |
| B1691132 | Eaton | R607021 | B211 | Sirco Brake | 1225-F-266 |
| B1691132 | Eaton Top Spec | R607021 | B211S | Sirco Brake | 1225-F-266 |
| B169117 | Eaton | 2210-A-6319 | B216 | Sirco Brake | R537001 |
| B169117 | Eaton Top Spec | 2210-A-6319 | B217 | Sirco Brake | R547010 |
| B169118 | Eaton | 2210-Z-6318 | B218 | Sirco Brake | R547011 |
| B169118 | Eaton Top Spec | 2210-Z-6318 | B220 | Sirco Brake | 2258-Q-615 |
| B16912 | Eaton | R607021 | B22061B | Eaton | A-3222-X-1142 |
| B16912 | Eaton Top Spec | R607021 | B22061B | Eaton | A-3722-L-64 |
| B169125 | Eaton | R607002 | B230 | Sirco Brake | 1229-P-302 |
| B169126 | Eaton | R607001 | B246022 | Eaton | R607024 |
| B169145 | Eaton | R607064 | B246022 | Eaton Top Spec | R607024 |
| B169146 | Eaton | R607063 | B24603 | Eaton | R607003 |
| B169147 | Eaton | 2210-Y-6317 | B246037 | Eaton | R607003 |
| B169148 | Eaton | 2210-X-6316 | B24604 | Eaton | R607004 |
| B16915 | Eaton | 2210-N-1574 | B246055 | Eaton | R607024 |
| B16915 | Eaton | R607101 | B246056 | Eaton | R607023 |
| B169155 | Eaton | R607042 | B246056 | Eaton Top Spec | R607023 |
| B169156 | Eaton | R607041 | B246085 | Eaton | R607003 |
| B16916 | Eaton | 2210-M-1573 | B246085 | Eaton Top Spec | R607003 |
| B16916 | Eaton | R607102 | B246086 | Eaton | R607004 |
| B16916 | Eaton Top Spec | R607102 | B246086 | Eaton Top Spec | R607004 |
| B16919 | Eaton | 2210-J-2948 | B251 | Sirco Brake | 1259-M-1131 |
| B16919 | Eaton | R607052 | B251 | Sirco Brake | 1259-Q-251 |
| B1705 | Eaton | R537003 | B256 | Sirco Brake | 2258-V-256 |

CROSS REFERENCE

| PART# | COMPETITOR | MERITOR# | PART# | COMPETITOR | MERITOR# |
|-------|----------------------|---------------|--------|-------------|---------------|
| B262 | Sirco Brake | 1259-B-262 | B811 | Sirco Brake | 1229-E-811 |
| B277 | Sirco Brake | R537005 | B824 | Sirco Brake | 1829-P-198 |
| B302 | Sirco Brake | 2258-U-619 | B829 | Sirco Brake | 1829-P-198 |
| B307 | Sirco Brake | 2258-V-256 | B8600 | Sirco Brake | 1225-L-1208 |
| B307 | Sirco Brake | R567005 | B8600 | Sirco Brake | R617001 |
| B308 | Sirco Brake | 2258-B-704 | B8600A | Sirco Brake | 1225-L-1208 |
| B311 | Sirco Brake | 1259-N-1132 | B8601 | Sirco Brake | R617001 |
| B347 | Sirco Brake | 2258-S-643 | B8602 | Sirco Brake | R617001 |
| B348 | Sirco Brake | 2258-Y-1273 | B8602 | Sirco Brake | R617003 |
| B349 | Sirco Brake | 2258-U-619 | B8604 | Sirco Brake | 1229-Z-1118 |
| B349 | Sirco Brake | 2258-W-803 | B8605 | Sirco Brake | 1229-Q-771 |
| B358 | Sirco Brake | R577001 | B8606 | Sirco Brake | R617002 |
| B379 | Sirco Brake | 1229-T-3166 | B8606A | Sirco Brake | R617015 |
| B423 | Sirco Brake | 1218-G-85 | B8607 | Sirco Brake | 1229-R-122 |
| B423 | Sirco Brake | R617001 | B8608 | Sirco Brake | 1229-G-1463 |
| B424 | Sirco Brake | R537003 | B8609 | Sirco Brake | A-1205-V-1556 |
| B426 | Sirco Brake | R567004 | B8610 | Sirco Brake | 1229-J-868 |
| B427 | Sirco Brake | R567003 | B8611 | Sirco Brake | 1229-M-559 |
| B429 | Sirco Brake | R587001 | B8612 | Sirco Brake | 1205-M-1105 |
| B430 | Sirco Brake | R517510 | B8612 | Sirco Brake | R627018 |
| B430K | Sirco Brake | R517510 | B8612A | Sirco Brake | R627008 |
| B431 | Sirco Brake | 1718-Y-103 | B8613 | Sirco Brake | 1205-N-924 |
| B433 | Sirco Brake | R567012 | B8615 | Sirco Brake | 1225-G-631 |
| B434 | Sirco Brake | R567505 | B8616 | Sirco Brake | R627009 |
| B467 | National Wheel & Rim | R005712 | B8619 | Sirco Brake | R627002 |
| B495 | Sirco Brake | 1225-U-827 | B8620 | Sirco Brake | R567003 |
| B498 | Sirco Brake | R527002 | B8620 | Sirco Brake | R657003 |
| B501 | Sirco Brake | A-1205-S-1943 | B8621 | Sirco Brake | 1205-X-726 |
| B556 | Sirco Brake | 1229-V-1556 | B8621 | Sirco Brake | R627019 |
| B562 | Sirco Brake | R567009 | B8622 | Sirco Brake | R627017 |
| B579 | Sirco Brake | 2258-G-579 | B8623 | Sirco Brake | R617007 |
| B5795 | Alcoa | R005010 | B8624 | Sirco Brake | R617009 |
| B586 | Sirco Brake | 1779-D-82 | B8625 | Sirco Brake | 1205-Q-2123 |
| B600 | National Wheel & Rim | R004955 | B8625 | Sirco Brake | R627015 |
| B601 | National Wheel & Rim | R004958 | B8626 | Sirco Brake | 1205-V-1452 |
| B604 | National Wheel & Rim | R004990A | B8627 | Sirco Brake | 1225-B-834 |
| B605 | National Wheel & Rim | R004957 | B8628 | Sirco Brake | 1225-A-833 |
| B607 | National Wheel & Rim | R005761 | B8629 | Sirco Brake | R627005 |
| B609 | National Wheel & Rim | R005010 | B8630 | Sirco Brake | R627006 |
| B611 | Sirco Brake | 1779-C-81 | B8631 | Sirco Brake | R627024 |
| B612 | Great Lakes | R005706 | B8632 | Sirco Brake | R627025 |
| B612 | National Wheel & Rim | R004956A | B8633 | Sirco Brake | 1229-X-3118 |
| B614 | National Wheel & Rim | R005706 | B8634 | Sirco Brake | R627014 |
| B6154 | Eaton | 1225-F-266 | B8634A | Sirco Brake | 1229-D-3124 |
| B667 | Sirco Brake | 1225-R-512 | B8634A | Sirco Brake | 1229-T-4102 |
| B667 | Sirco Brake | R657005 | B8635 | Sirco Brake | R000943 |
| B669 | Sirco Brake | 1229-D-2942 | B8636 | Sirco Brake | 1225-R-1058 |
| B717 | Sirco Brake | R627026 | B8643 | Sirco Brake | KIT-9037 |
| B725 | Sirco Brake | 1199-G-3725 | B8643A | Sirco Brake | KIT-9037 |
| B725 | Sirco Brake | R517001 | B8645 | Sirco Brake | KIT-970 |
| B728 | Sirco Brake | 2258-Z-416 | B8646 | Sirco Brake | KIT-8043 |
| B769 | Sirco Brake | R567502 | B8646 | Sirco Brake | KIT-9078 |
| B770 | Sirco Brake | R567028 | B8646A | Sirco Brake | KIT-9078A |
| B793 | Sirco Brake | 1229-X-1116 | B8647 | Sirco Brake | R615003 |
| B793A | Sirco Brake | 1229-J-4092 | B8647 | Sirco Brake | R002123 |
| B794 | Sirco Brake | 1229-J-4092 | B8647A | Sirco Brake | R002123 |
| B795 | Sirco Brake | R627027 | B8648 | Sirco Brake | R615002 |
| B800 | Sirco Brake | R627043 | B8649 | Sirco Brake | R615005 |
| B801 | Sirco Brake | R627044 | B8650 | Sirco Brake | R615006 |
| B805 | Sirco Brake | R627034 | B8652 | Sirco Brake | R615008 |
| B807 | Sirco Brake | R657001 | B8655 | Sirco Brake | R615010 |

CROSS REFERENCE

| PART# | COMPETITOR | MERITOR# | PART# | COMPETITOR | MERITOR# |
|----------|-------------|----------------|----------|----------------|---------------|
| B8655Z | Sirco Brake | R615014 | B8782 | Sirco Brake | 1225-N-1158 |
| B8656 | Sirco Brake | R615009 | B8783 | Sirco Brake | A-3105-L-1078 |
| B8657 | Sirco Brake | R615003 | B8784 | Sirco Brake | 1229-R-4100 |
| B866 | Eaton | R567004 | B8785 | Sirco Brake | 1229-S-4101 |
| B8661 | Sirco Brake | KIT-9034 | B8786 | Sirco Brake | 1229-B-4136 |
| B8665 | Sirco Brake | 1225-X-804 | B8787 | Sirco Brake | 1229-C-4137 |
| B868 | Sirco Brake | R527001 | B8788 | Sirco Brake | KIT-8289 |
| B8682 | Sirco Brake | R615001 | B8790 | Sirco Brake | R615020 |
| B8682A | Sirco Brake | R615001 | B8790HD | Sirco Brake | R615022 |
| B8683 | Sirco Brake | KIT-8048 | B8790HD | Sirco Brake | R009791HD |
| B8683HD | Sirco Brake | R003520AHD | B8792 | Sirco Brake | R615019 |
| B8684 | Sirco Brake | R615004 | B8793 | Sirco Brake | R615018 |
| B8685 | Sirco Brake | R615007 | B8794 | Sirco Brake | R615023 |
| B8685Z | Sirco Brake | R615007 | B8794HD | Sirco Brake | R615024 |
| B8686 | Sirco Brake | KIT-9035 | B8795 | Sirco Brake | R615016 |
| B8686HD | Sirco Brake | KIT-9035 | B8805 | Sirco Brake | R615025 |
| B8688 | Sirco Brake | R617006 | B887 | Sirco Brake | 1259-M-1131 |
| B8689 | Sirco Brake | 1229-D-2942 | B888 | Sirco Brake | R547008 |
| B869 | Sirco Brake | R567002 | B888D | Sirco Brake | 1225-B-496 |
| B8690 | Sirco Brake | 1205-G-761 | B888S | Sirco Brake | 1225-B-496 |
| B8691 | Sirco Brake | 1229-Q-2851 | B8960 | Sirco Brake | 1205-G-761 |
| B8696 | Sirco Brake | A2-3105-G-1151 | B901 | Sirco Brake | 5-X-640 |
| B8698 | Sirco Brake | R617005 | B911 | Sirco Brake | 2297-T-7222 |
| B8699 | Sirco Brake | R617008 | B923 | Sirco Brake | 1199-U-3765 |
| B8701 | Sirco Brake | KIT-8047 | B924 | Sirco Brake | 2247-X-128 |
| B8704 | Sirco Brake | KIT-971 | B941 | Sirco Brake | 1779-B-1172 |
| B8707 | Sirco Brake | KIT-8042 | B941 | Sirco Brake | 2297-T-7222 |
| B871 | Sirco Brake | 2258-Y-1273 | B950 | Sirco Brake | 1259-X-1012 |
| B8712 | Sirco Brake | R615000 | B952 | Sirco Brake | 2258-K-1181 |
| B8714 | Sirco Brake | R630003 | B953 | Sirco Brake | 2258-E-1123 |
| B8717 | Sirco Brake | R630005 | B954 | Sirco Brake | 1229-V-1504 |
| B8718 | Sirco Brake | 1229-N-2250 | B956 | Sirco Brake | 2258-L-1234 |
| B8719 | Sirco Brake | 1229-S-2697 | B960 | Sirco Brake | 1229-X-3118 |
| B8722 | Sirco Brake | R627012 | B961 | Sirco Brake | 1229-A-4135 |
| B8728 | Sirco Brake | R630006 | B971 | Sirco Brake | 2258-P-354 |
| B8733 | Sirco Brake | R630002 | B972 | Sirco Brake | 2258-R-590 |
| B8742 | Sirco Brake | R615013 | B973 | Sirco Brake | 1218-C-107 |
| B8743 | Sirco Brake | KIT-9300 | B974 | Sirco Brake | 2258-K-349 |
| B8744 | Sirco Brake | KIT-8022 | B981 | Sirco Brake | R567006 |
| B8746 | Sirco Brake | R615015 | B983 | Sirco Brake | R567017 |
| B8746Z | Sirco Brake | R615021 | B988 | Sirco Brake | 1229-B-1848 |
| B8747HD | Sirco Brake | KIT-8048 | B999 | Sirco Brake | R567501 |
| B8750 | Sirco Brake | R627029 | BD125085 | Wagner | 2210-A-7515 |
| B8751 | Sirco Brake | R627030 | BK103 | Standard Forge | R509000 |
| B8752 | Sirco Brake | R627031 | BK145F | Sirco Brake | KIT-6004 |
| B8753 | Sirco Brake | R627032 | BK145R | Sirco Brake | KIT-6003 |
| B8754 | Sirco Brake | 1225-M-897 | BKRR312 | Leland | KIT-6122 |
| B8755 | Sirco Brake | A-1205-P-1602 | BNU0770 | PAI | R003507 |
| B8756 | Sirco Brake | 1229-B-236 | BNU0780 | PAI | R003509 |
| B8757 | Sirco Brake | 1225-R-1136 | BNU7830 | PAI | R003506 |
| B8757 | Sirco Brake | 1229-Q-277 | BNU7890 | PAI | R003504 |
| B8758 | Sirco Brake | 1107-D-56 | BP100 | Sirco Brake | 2258-J-1440 |
| B8760 | Sirco Brake | 1225-R-1136 | BP104 | Sirco Brake | 1259-X-76 |
| B8761 | Sirco Brake | 2258-E-1123 | BP105 | Sirco Brake | 1779-J-114 |
| B8761 | Sirco Brake | A-1205-D-2110 | BP106 | Sirco Brake | 2258-J-400 |
| B8762 | Sirco Brake | 1229-J-3130 | BP108 | Sirco Brake | 1225-X-440 |
| B8763 | Sirco Brake | R627033 | BP109 | Sirco Brake | 1779-L-116 |
| B8765 | Sirco Brake | 1229-L-844 | BP110 | Sirco Brake | 1259-L-194 |
| B8766 | Sirco Brake | KIT-8033 | BWPA2560 | PAI | R003508 |
| B8773MHD | Sirco Brake | KIT-8078A | BWPA7870 | PAI | R003505 |
| B8781 | Sirco Brake | 1229-E-4685 | C089L | Sirco Brake | 2210-J-2948 |

CROSS REFERENCE

| PART# | COMPETITOR | MERITOR# | PART# | COMPETITOR | MERITOR# |
|--------|----------------------|-------------|--------|-------------|---------------|
| C090R | Sirco Brake | 2210-H-2946 | C63005 | Haldex | R567505 |
| C094R | Sirco Brake | R607001 | C63015 | Haldex | R517510 |
| C095L | Sirco Brake | R607002 | C63018 | Haldex | 2247-X-128 |
| C096L | Sirco Brake | R607195 | C63030 | Haldex | R517006 |
| C097R | Sirco Brake | R607196 | C63043 | Haldex | 2258-L-1234 |
| C098L | Sirco Brake | R607197 | C63045 | Haldex | 2258-S-643 |
| C099R | Sirco Brake | R607198 | C63054 | Haldex | R567012 |
| C100R | Sirco Brake | R607019 | C63067 | Haldex | 1259-V-308 |
| C101L | Sirco Brake | R607010 | C63071 | Haldex | R547026 |
| C102L | Sirco Brake | R607199 | C63083 | Haldex | R570005 |
| C103R | Sirco Brake | R607200 | C63084 | Haldex | 1225-B-496 |
| C107L | Sirco Brake | R607021 | C63101 | Haldex | 5-X-640 |
| C108R | Sirco Brake | R607022 | C63102 | Haldex | 1205-K-193 |
| C147R | Sirco Brake | R607075 | C63103 | Haldex | R547033 |
| C148L | Sirco Brake | R607076 | C63104 | Haldex | 1225-R-1136 |
| C219L | Sirco Brake | R607193 | C63107 | Haldex | 1225-L-1208 |
| C233 | National Wheel & Rim | R005890 | C63112 | Haldex | 1225-N-1158 |
| C349L | Sirco Brake | 2210-J-7524 | C63115 | Haldex | R617015 |
| C350R | Sirco Brake | 2210-H-7522 | C63140 | Haldex | A-3105-L-1078 |
| C351L | Sirco Brake | 2210-W-7537 | C63142 | Haldex | A-3105-K-219 |
| C352R | Sirco Brake | 2210-V-7536 | C63146 | Haldex | 1229-J-4092 |
| C359L | Sirco Brake | 2210-J-7524 | C63148 | Haldex | 1229-T-4102 |
| C410R | Sirco Brake | R607005 | C63153 | Haldex | 1229-C-4137 |
| C411L | Sirco Brake | R607006 | C63157 | Haldex | 1229-B-4136 |
| C412R | Sirco Brake | R607083 | C63158 | Haldex | 1229-S-4101 |
| C413L | Sirco Brake | R607084 | C63164 | Haldex | 1229-R-4100 |
| C420R | Sirco Brake | R607007 | C63165 | Haldex | 1229-E-4685 |
| C421L | Sirco Brake | R607008 | C63166 | Haldex | 1229-A-4135 |
| C422R | Sirco Brake | R607009 | C63465 | Haldex | 1229-E-4685 |
| C423L | Sirco Brake | R607010 | C645L | Sirco Brake | 2210-L-7396 |
| C424R | Sirco Brake | R607081 | C646R | Sirco Brake | 2210-K-7395 |
| C425L | Sirco Brake | R607082 | C647L | Sirco Brake | 2210-Y-7409 |
| C426R | Sirco Brake | 2210-P-7426 | C648R | Sirco Brake | 2210-X-7408 |
| C427L | Sirco Brake | 2210-Q-7427 | C651L | Sirco Brake | 2210-G-7443 |
| C441L | Sirco Brake | 2210-R-8156 | C652R | Sirco Brake | 2210-F-7442 |
| C442R | Sirco Brake | 2210-Q-8155 | C65302 | Haldex | A-1205-S-1943 |
| C443BL | Sirco Brake | 2210-G-6871 | C65306 | Haldex | 1225-F-266 |
| C443R | Sirco Brake | 2210-T-8158 | C65311 | Haldex | 1229-T-3166 |
| C444BR | Sirco Brake | 2210-F-6870 | C65313 | Haldex | 1229-J-868 |
| C444R | Sirco Brake | 2210-S-8157 | C65318 | Haldex | 1229-Z-1118 |
| C445BL | Sirco Brake | 2210-E-6869 | C65327 | Haldex | 1718-Y-103 |
| C445L | Sirco Brake | 2210-V-8160 | C65339 | Haldex | 1229-Q-771 |
| C446BR | Sirco Brake | 2210-D-6868 | C65340 | Haldex | 1229-G-1463 |
| C446R | Sirco Brake | 2210-U-8159 | C65351 | Haldex | 1218-G-85 |
| C449L | Sirco Brake | R607070 | C65352 | Haldex | A-1205-V-1556 |
| C452R | Sirco Brake | R607067 | C65358 | Haldex | 1229-X-1116 |
| C478R | Sirco Brake | R607091 | C65372 | Haldex | R547008 |
| C479L | Sirco Brake | R607092 | C65381 | Haldex | 1229-J-3130 |
| C519R | Sirco Brake | R607180 | C653L | Sirco Brake | 2210-U-7457 |
| C520L | Sirco Brake | R607181 | C65435 | Haldex | 1779-C-81 |
| C521R | Sirco Brake | R607182 | C65437 | Haldex | 1225-U-151 |
| C522R | Sirco Brake | 2210-H-7522 | C65449 | Haldex | 2258-Z-416 |
| C524L | Sirco Brake | 2210-J-7524 | C65470 | Haldex | 1779-D-82 |
| C526L | Sirco Brake | R607183 | C65494 | Haldex | 1205-V-1452 |
| C527R | Sirco Brake | R607184 | C654R | Sirco Brake | 2210-T-7456 |
| C536R | Sirco Brake | 2210-V-7536 | C655L | Sirco Brake | 2210-E-7493 |
| C537L | Sirco Brake | 2210-W-7537 | C656R | Sirco Brake | 2210-D-7492 |
| C563L | Sirco Brake | R607011 | C65700 | Haldex | 1229-Q-2851 |
| C564R | Sirco Brake | R607012 | C65750 | Haldex | 1205-G-761 |
| C595L | Sirco Brake | 2210-C-7595 | C657L | Sirco Brake | 2210-A-7515 |
| C63001 | Haldex | 1718-Y-103 | C658R | Sirco Brake | 2210-Z-7514 |

CROSS REFERENCE

| PART# | COMPETITOR | MERITOR# | PART# | COMPETITOR | MERITOR# |
|--------|-------------|----------------|--------|-------------|-------------|
| C66425 | Haldex | 2258-E-629 | C67786 | Haldex | R567017 |
| C66447 | Haldex | 2758-Q-43 | C677L | Sirco Brake | 2210-A-7645 |
| C66455 | Haldex | 2758-W-127 | C678R | Sirco Brake | 2210-Z-7644 |
| C664R | Sirco Brake | 2210-B-7542 | C679L | Sirco Brake | 2210-J-7654 |
| C66549 | Haldex | A2-3105-G-1151 | C680R | Sirco Brake | 2210-H-7652 |
| C665L | Sirco Brake | 2210-L-7552 | C681L | Sirco Brake | 2210-A-7671 |
| C66606 | Haldex | R567028 | C682R | Sirco Brake | 2210-Z-7670 |
| C66610 | Haldex | 1199-U-3765 | C683L | Sirco Brake | 2210-S-7689 |
| C66611 | Haldex | 1218-C-107 | C686R | Sirco Brake | 2210-X-6316 |
| C66612 | Haldex | 2258-R-590 | C687L | Sirco Brake | 2210-Y-6317 |
| C66614 | Haldex | 2258-K-349 | C688L | Sirco Brake | 2210-A-6319 |
| C66632 | Haldex | R517010 | C689R | Sirco Brake | 2210-Z-6318 |
| C66633 | Haldex | R517011 | C693L | Sirco Brake | R607025 |
| C66646 | Haldex | 1225-R-1058 | C694R | Sirco Brake | R607026 |
| C66690 | Haldex | 1225-M-897 | C69611 | Haldex | 1259-X-1012 |
| C66691 | Haldex | A-1205-P-1602 | C702R | Sirco Brake | R607098 |
| C66692 | Haldex | 1229-B-236 | C703L | Sirco Brake | R607097 |
| C66695 | Haldex | 1107-D-56 | C706R | Sirco Brake | R607095 |
| C66697 | Haldex | 1229-P-302 | C707L | Sirco Brake | R607096 |
| C66698 | Haldex | 1229-D-2942 | C708R | Sirco Brake | R607073 |
| C66699 | Haldex | 1229-S-2697 | C709L | Sirco Brake | R607074 |
| C666R | Sirco Brake | 2210-K-7551 | C710R | Sirco Brake | R607089 |
| C667L | Sirco Brake | 2210-C-7569 | C711L | Sirco Brake | R607090 |
| C66841 | Haldex | 1259-B-262 | C714R | Sirco Brake | R607093 |
| C66842 | Haldex | 2258-G-579 | C716R | Sirco Brake | R607041 |
| C66843 | Haldex | 1229-V-1504 | C717L | Sirco Brake | R607042 |
| C66847 | Haldex | 1229-V-1556 | C720R | Sirco Brake | R607045 |
| C66849 | Haldex | 2258-V-256 | C721L | Sirco Brake | R607046 |
| C66852 | Haldex | 1229-X-3118 | C724L | Sirco Brake | R607221 |
| C66854 | Haldex | 2258-E-1123 | C725R | Sirco Brake | R607222 |
| C66863 | Haldex | 2258-Q-615 | C730R | Sirco Brake | 2210-B-7594 |
| C66864 | Haldex | 2258-U-619 | C731L | Sirco Brake | 2210-C-7595 |
| C66866 | Haldex | 1259-N-274 | C737L | Sirco Brake | R607233 |
| C66876 | Haldex | 2258-Y-1273 | C738R | Sirco Brake | R607234 |
| C66893 | Haldex | R547018 | C750L | Sirco Brake | 2210-D-6842 |
| C66895 | Haldex | 1829-P-198 | C751R | Sirco Brake | 2210-E-6843 |
| C668R | Sirco Brake | 2210-B-7568 | C752L | Sirco Brake | 2210-F-6844 |
| C66901 | Haldex | 2297-T-7222 | C753R | Sirco Brake | 2210-G-6845 |
| C669L | Sirco Brake | 2210-U-7587 | C754L | Sirco Brake | 2210-M-6851 |
| C67001 | Haldex | 1229-N-2250 | C755R | Sirco Brake | 2210-N-6852 |
| C67018 | Haldex | 1225-X-804 | C756L | Sirco Brake | 2210-R-6856 |
| C670R | Sirco Brake | 2210-T-7586 | C757R | Sirco Brake | 2210-S-6857 |
| C67320 | Haldex | 2258-Y-1273 | C759L | Sirco Brake | R607253 |
| C67367 | Haldex | R517009 | C760R | Sirco Brake | R607254 |
| C67374 | Haldex | R627006 | C763L | Sirco Brake | 2210-V-6860 |
| C67375 | Spicer | R627005 | C764R | Sirco Brake | 2210-W-6861 |
| C67446 | Spicer | R567002 | C773R | Sirco Brake | R607071 |
| C67447 | Spicer | R517002 | C774L | Sirco Brake | R607072 |
| C67448 | Spicer | R527001 | C775R | Sirco Brake | R607015 |
| C67466 | Haldex | 2297-C-5021 | C776L | Sirco Brake | R607016 |
| C67467 | Haldex | 1246-F-1020 | C790L | Sirco Brake | R607035 |
| C67471 | Spicer | R577001 | C799L | Sirco Brake | R607035 |
| C67473 | Spicer | R537001 | C799R | Sirco Brake | R607036 |
| C67476 | Spicer | R577001 | C856L | Sirco Brake | R607171 |
| C67487 | Spicer | R517506 | C857R | Sirco Brake | R607172 |
| C67488 | Haldex | R547011 | C910L | Sirco Brake | R607277 |
| C67489 | Haldex | R547010 | C911R | Sirco Brake | R607278 |
| C67490 | Spicer | R517003 | C931L | Sirco Brake | R607227 |
| C67492 | Spicer | 2258-V-256 | C932R | Sirco Brake | R607228 |
| C675L | Sirco Brake | 2210-J-7628 | C933L | Sirco Brake | R607229 |
| C676R | Sirco Brake | 2210-H-7626 | C934R | Sirco Brake | R607230 |

CROSS REFERENCE

| PART# | COMPETITOR | MERITOR# | PART# | COMPETITOR | MERITOR# |
|---------|-----------------|---------------|----------|------------|--------------|
| C935L | Sirco Brake | R607231 | CS40107 | Haldex | 2210-F-6844 |
| C936R | Sirco Brake | R607232 | CS40108 | Haldex | 2210-M-6851 |
| C972L | Sirco Brake | R607225 | CS40109 | Haldex | 2210-N-6852 |
| C973R | Sirco Brake | R607226 | CS40110 | Haldex | 2210-V-6860 |
| CA1200 | Crewson Brunner | R824000 | CS40111 | Haldex | 2210-W-6861 |
| CA1202 | Crewson Brunner | R824001 | CS40113 | Haldex | 2210-R-6726 |
| CA2200 | Crewson Brunner | R824003 | CS40116 | Haldex | 2210-W-6731 |
| CA2202 | Crewson Brunner | R824004 | CS40117 | Haldex | 2210-X-6732 |
| CA2296 | Crewson Brunner | A-3275-J-686 | CS40152 | Haldex | 2210-C-7543 |
| CA3206 | Crewson Brunner | R824007 | CS40172 | Haldex | 2210-L-7396 |
| CA4201 | Crewson Brunner | R824009 | CS40173 | Haldex | 2210-K-7395 |
| CA4202 | Crewson Brunner | R824009 | CS40174 | Haldex | 2210-Q-7427 |
| CA5201 | Crewson Brunner | R825020 | CS40175 | Haldex | 2210-P-7426 |
| CL1008 | Goodyear | R005885G | CS40178 | Haldex | 2210-E-7493 |
| CL1008 | Motor Wheel | R005885G | CS40179 | Haldex | 2210-D-7492 |
| CQ62768 | Haldex | KIT-8092 | CS40182 | Haldex | 2210-J-7524 |
| CQ65477 | Haldex | MKT-4709ES2N | CS40183 | Haldex | 2210-H-7522 |
| CQ65517 | Haldex | KIT-8048 | CS40186 | Haldex | 2210-C-7595 |
| CQ65521 | Haldex | R507079 | CS40188 | Haldex | 2210-L-7604 |
| CQ66861 | Haldex | MKT-4515QN | CS40189 | Haldex | 2210-K-7603 |
| CQ66867 | Haldex | MKT-4515QH DN | CS40192 | Haldex | 2210-J-7628 |
| CQ66913 | Haldex | MKT-4515X | CS40193 | Haldex | 2210-H-7626 |
| CQ66914 | Haldex | MKT-4515XHD | CS40194 | Haldex | 2210-J-7654 |
| CQ66941 | Haldex | KIT-8289 | CS40195 | Haldex | 2210-H-7652 |
| CQ67317 | Haldex | MKT-4515P | CS40196 | Haldex | 2210-A-7645 |
| CQ67319 | Haldex | MKT-4311EHDN | CS40197 | Haldex | 2210-Z-7644 |
| CQ67325 | Haldex | R002123 | CS40198 | Haldex | 2210-A-7671 |
| CQ67329 | Haldex | KIT-9037 | CS40199 | Haldex | 2210-Z-7670 |
| CQ67354 | Haldex | R615004 | CS41104 | Haldex | 2210-G-6169 |
| CQ67387 | Haldex | KIT-8042 | CS41105 | Haldex | 2210-H-6170 |
| CQ67398 | Haldex | R507015 | CS41106 | Haldex | 2210-C-6165 |
| CQ67411 | Haldex | R615001 | CS41107 | Haldex | 2210-D-6166 |
| CQ67416 | Haldex | KIT-8078A | CS41108 | Haldex | 2210-E-6167 |
| CQ6861 | Haldex | MKT-4515U | CS41109 | Haldex | 2210-F-6168 |
| CQ69002 | Haldex | R507076 | CS41110 | Haldex | 2210-C-6867 |
| CRK8800 | Uni-Bond | R615000 | CS41111 | Haldex | 2210-B-6866 |
| CRK8801 | Uni-Bond | R615001 | CS41112 | Haldex | 2210-G-6871 |
| CRK8802 | Uni-Bond | R615010 | CS41114 | Haldex | 2210-E-6869 |
| CRK8803 | Uni-Bond | R615014 | CS41115 | Haldex | 2210-D-6868 |
| CRK8809 | Uni-Bond | R615016 | CS41150 | Haldex | 2210-U-7457 |
| CRK8811 | Uni-Bond | KIT-8022 | CS41151 | Haldex | 2210-T-7456 |
| CRK8812 | Uni-Bond | KIT-9300 | CS41153 | Haldex | 2210-B-7542 |
| CRK8813 | Uni-Bond | KIT-9304 | CS41154 | Haldex | 2210-C-7569 |
| CRK8816 | Uni-Bond | R615002 | CS41155 | Haldex | 2210-B-7568 |
| CRK8818 | Uni-Bond | R615015 | CS41156 | Haldex | 2210-U-7587 |
| CRK8819 | Uni-Bond | R615018 | CS41157 | Haldex | 2210-T-7586 |
| CRK8820 | Uni-Bond | R615003 | CS41158 | Haldex | 2210-G-7443 |
| CRK8821 | Uni-Bond | R002123 | CS41159 | Haldex | 2210-F-7442 |
| CRK8822 | Uni-Bond | R615004 | CS41160 | Haldex | 2210-A-7515 |
| CRK8823 | Uni-Bond | R615021 | CS41161 | Haldex | 2210-Z-7514 |
| CRK8824 | Uni-Bond | R615005 | CS41172 | Haldex | 2210-Y-7409 |
| CRK8825 | Uni-Bond | R615006 | CS41173 | Haldex | 2210-X-7408 |
| CRK8827 | Uni-Bond | KIT-8043 | CS413941 | Haldex | R607178 |
| CRK8827 | Uni-Bond | KIT-9078 | CS41514 | Haldex | 2210-A-6319 |
| CRK8828 | Uni-Bond | KIT-8042 | CS41515 | Haldex | 2210-Z-6318 |
| CRK8829 | Uni-Bond | KIT-8033 | CS41692 | Haldex | R607223 |
| CRK8830 | Uni-Bond | KIT-9037 | CS41770 | Haldex | 2210-L-7838 |
| CRK8846 | Uni-Bond | R615008 | CS41771 | Haldex | 2210-K-7837 |
| CS40100 | Haldex | 2210-F-6844 | CS51011 | Haldex | A-3275-J-686 |
| CS40101 | Haldex | 2210-G-6845 | CS56040 | Haldex | R801073 |
| CS40106 | Haldex | 2210-F-6844 | E1 | Erie | R005571AG |

CROSS REFERENCE

| PART# | COMPETITOR | MERITOR# | PART# | COMPETITOR | MERITOR# |
|-----------|-----------------|--------------|------------|----------------|---------------|
| E12 | Erie | R005784G | ES1 | Sirco Brake | MKT-4709ESN |
| E19 | Erie | R005571AG | ES1 | Sirco Brake | R507057 |
| E20 | Erie | R005572AG | ES2 | Sirco Brake | MKT-4709ES2N |
| E21 | Erie | R005040AG | ES3 | Sirco Brake | R507086 |
| E22 | Erie | R005784G | ES4 | Sirco Brake | R507083 |
| E3 | Erie | R005040AG | F1203 | Eaton Top Spec | 1229-G-709 |
| E3116 | Leland | 2210-D-6868 | F1529 | Eaton | R000540 |
| E4 | Erie | R005570 | F1530 | Eaton | R000572 |
| E5 | Erie | R005045 | F1531 | Eaton | R000573 |
| E5955 | Webb | R005955 | F169125 | Eaton | R607002 |
| E5995L | Webb | R005995L | F169126 | Eaton | 2210-Z-6344 |
| E6 | Erie | R005046 | F184710 | Eaton | R005868R |
| E7 | Erie | R005747 | F18479 | Eaton | R005868L |
| E8 | Erie | R005035 | F18788 | Wagner | 1829-P-198 |
| E8946R | Leland | R008946R | F31921 | Wagner | R627039 |
| E9 | Erie | R005044 | F31923 | Wagner | R517009 |
| E9052 | Leland | R507085 | F31945 | Wagner | 2210-F-5726 |
| E9523 | S&S Truck | R823001 | F31945 | Wagner | R607028 |
| E9602 | Crewson Brunner | R825020 | F31955 | Wagner | R627027 |
| EB1000035 | Eaton | 1225-L-1208 | F39185 | Wagner | 2797-B-1042 |
| EB1000035 | Eaton | R617001 | F5035 | Wagner | R607263 |
| EB1000092 | Eaton | R567028 | F940 | Eaton | R000540 |
| EB1001580 | Eaton | R607038 | F941 | Eaton | R000572 |
| EB1001581 | Eaton | R607037 | F942 | Eaton | R000573 |
| EB1005840 | Eaton | R1308E | F97506 | Wagner | R507073 |
| EB1006730 | Eaton | R607133 | FC003002 | Wagner | R627028 |
| EB1006731 | Eaton | R607134 | FC018788 | Wagner | 1829-P-198 |
| EB1006864 | Eaton | R607135 | FC031921 | Wagner | R627039 |
| EB1006865 | Eaton | R607136 | FC031933 | Wagner | R627026 |
| EB1006948 | Eaton | R607141 | FC031954 | Wagner | R627025 |
| EB1006949 | Eaton | R607142 | FC031955 | Wagner | R627027 |
| EB1008247 | Eaton | R607146 | FC031960 | Wagner | A-1205-S-1943 |
| EB125030 | Eaton | R607046 | FC031961 | Wagner | 1229-X-1116 |
| EB125031 | Eaton | R607045 | FC24493 | Wagner | 1779-Y-155 |
| EB805442 | Eaton | R4311 | FC31970 | Wagner | R517010 |
| EB805677 | Eaton | R700008 | FC31971 | Wagner | R517011 |
| EB820073 | Eaton | R607021 | FC31971 | Wagner | R517011 |
| EB820073 | Eaton | R607022 | FD70310 | Wagner | R700346 |
| EB820074 | Eaton | R607021 | FD70311 | Wagner | R700381 |
| EB820074 | Eaton | R607022 | FD70312 | Wagner | R700383 |
| EB820083 | Eaton | R607041 | FE19143 | Wagner | R700346 |
| EB820084 | Eaton | R607042 | FE26270 | Wagner | R700381 |
| EB820102 | Eaton | R607017 | FE31197 | Wagner | R700383 |
| EB820108 | Eaton | R607018 | FE31993 | Wagner | R700235 |
| EF1 | Sirco Brake | MKT-1308E | FE32462 | Wagner | R700442 |
| EF2 | Sirco Brake | R507094 | FE32462 | Wagner | R700455 |
| EK1HD | Sirco Brake | MKT-4311EHDN | FE32479 | Wagner | R700463 |
| EK2 | Sirco Brake | R507072 | FE3340 | Wagner | R700235 |
| EK3 | Sirco Brake | R507077 | FE57763 | Wagner | R700321 |
| EM3188R | BWP | R607198 | FE59210 | Wagner | R700322 |
| EM50420 | Haldex | R806016 | FE83177 | Wagner | R700442 |
| EM50420 | PAI | R806016 | FE83177 | Wagner | R700455 |
| EQ1 | Sirco Brake | R507062 | FE88633 | Wagner | R700458 |
| ER00470 | PAI/Excel | 1229-V-1556 | FF1 | Sirco Brake | R507080 |
| ER01960 | PAI/Excel | NL-1101 | FK1 | Sirco Brake | R507011 |
| ER14190 | PAI/Excel | 1227-Z-780 | FR1 | Sirco Brake | R507081 |
| ER14190 | PAI/Excel | 1227-Z-780 | FR1S | Sirco Brake | R507082 |
| ER21710 | PAI/Excel | 2258-G-397 | GBH1225 | Gorilla Brake | R507095 |
| ER21720 | PAI/Excel | 2258-U-411 | GBH1225D | Gorilla Brake | R507014 |
| ER30580 | PAI/Excel | 1225-V-880 | GBH1225D51 | Gorilla Brake | R507074 |
| ER59200 | PAI/Excel | R005652L | GBH1225D52 | Gorilla Brake | R507088 |

CROSS REFERENCE

| PART# | COMPETITOR | MERITOR# | PART# | COMPETITOR | MERITOR# |
|-------------|---------------|----------------|-----------|-------------|----------------|
| GBH1225DU | Gorilla Brake | R507076 | GG4702QJ | Haldex | KSMA3124702QP |
| GBH1225DU53 | Gorilla Brake | R507078 | GG470701J | Haldex | KSMA3124707QP |
| GBH1225DU54 | Gorilla Brake | R507090 | GG470701J | Haldex | PKSMA3124707QP |
| GBH1225E | Gorilla Brake | R507000 | GG4707QJ | Haldex | KSMA3124707QP |
| GBH1225F | Gorilla Brake | R507005 | GG4707QJ | Haldex | PKSMA3124707QP |
| GBH1225Q | Gorilla Brake | KIT-8004 | GG470901J | Haldex | KSMA3124709E1 |
| GBH1225SF | Gorilla Brake | R507015 | GG470902J | Haldex | KSMA3124709E2 |
| GBH1225SF55 | Gorilla Brake | R507068 | GG4709ESJ | Haldex | KSMA3124709E2 |
| GBH1308E | Gorilla Brake | MKT-1308E | GG4709ESJ | Haldex | KSMA3124709E1 |
| GBH1308Q | Gorilla Brake | MKT-1308Q | GG4715QJ | Haldex | KSMA3124715QP |
| GBH1308Q88 | Gorilla Brake | MKT-1308Q | GL1001 | Great Lakes | R007895R |
| GBH1308T | Gorilla Brake | MKT-1308T | GL1002 | Great Lakes | R007895L |
| GBH1308T88 | Gorilla Brake | MKT-1308T | GL1003 | Great Lakes | R007896R |
| GBH1500B | Gorilla Brake | R507080 | GL1004 | Great Lakes | R007896L |
| GBH1657B | Gorilla Brake | R507081 | GL1005 | Great Lakes | R007897R |
| GBH1657B88 | Gorilla Brake | R507082 | GL1006 | Great Lakes | R007897L |
| GBH1657M50 | Gorilla Brake | KIT-8026HD | GL1007 | Great Lakes | R007898R |
| GBH1657QM | Gorilla Brake | MKT-4515UHD | GL1008 | Great Lakes | R007898L |
| GBH1800E | Gorilla Brake | R507072 | GL1009 | Great Lakes | R003130R |
| GBH4311E | Gorilla Brake | MKT-4311EHDN | GL1010 | Great Lakes | R003130L |
| GBH4311EHM | Gorilla Brake | R507077 | GL1011 | Great Lakes | R005988R |
| GBH4515F1 | Gorilla Brake | MKT-4515X | GL1012 | Great Lakes | R005988L |
| GBH4515F3 | Gorilla Brake | MKT-4515XHD | GL2003 | Great Lakes | R005977R |
| GBH4515F57 | Gorilla Brake | R507006 | GL2004 | Great Lakes | R005977L |
| GBH4515P | Gorilla Brake | MKT-4515PHD | GL2005 | Great Lakes | R006060R |
| GBH4515P1 | Gorilla Brake | MKT-4515P | GL2006 | Great Lakes | R006060L |
| GBH4515P61 | Gorilla Brake | MKT-4515P | GL2007 | Great Lakes | R005576R |
| GBH4515P63 | Gorilla Brake | MKT-4515PHD | GL2008 | Great Lakes | R005576L |
| GBH4515Q1 | Gorilla Brake | MKT-4515QN | GL2009 | Great Lakes | R0010254R |
| GBH4515Q14 | Gorilla Brake | MKT-4515QMBN | GL2010 | Great Lakes | R0010254L |
| GBH4515Q3 | Gorilla Brake | MKT-4515QHDN | GL2013 | Great Lakes | R005579R |
| GBH4515Q34 | Gorilla Brake | MKT-4515QMBHDN | GL2014 | Great Lakes | R005579L |
| GBH4515Q81 | Gorilla Brake | MKT-4515QMBN | GL2021 | Great Lakes | R005996R |
| GBH4515Q83 | Gorilla Brake | MKT-4515QMBHDN | GL2022 | Great Lakes | R005996L |
| GBH4515Q881 | Gorilla Brake | MKT-4515U | GL2101 | Great Lakes | R005652R |
| GBH4515Q883 | Gorilla Brake | MKT-4515UHD | GL2102 | Great Lakes | R005652L |
| GBH4515QFL | Gorilla Brake | MKT-4515U | GL2103 | Great Lakes | R005995R |
| GBH4515QM | Gorilla Brake | KIT-8081 | GL2104 | Great Lakes | R005995L |
| GBH4709E | Gorilla Brake | MKT-4709ESN | GL2105 | Great Lakes | R005578R |
| GBH4709E12 | Gorilla Brake | MKT-4709ES2N | GL2106 | Great Lakes | R005578L |
| GBH4716E | Gorilla Brake | R507086 | GL2107 | Great Lakes | R005863R |
| GBH4717E | Gorilla Brake | R507083 | GL2108 | Great Lakes | R005863L |
| GBH4719E | Gorilla Brake | R507094 | GL2123 | Great Lakes | R005554R |
| GG1308EJ | Haldex | KSMA3121308E | GL2124 | Great Lakes | R005554L |
| GG1308Q2J | Haldex | KSMA3121308Q | GL2201 | Great Lakes | R005892 |
| GG1443EJ | Haldex | KSMA3121443E | GL2202 | Great Lakes | R005734 |
| GG431107J | Haldex | KSMA3124311E | GL2203 | Great Lakes | R009022R |
| GG4311EJ | Haldex | KSMA3124311E | GL2204 | Great Lakes | R009022L |
| GG451412J | Haldex | KSMA3124514Q | GL2205 | Great Lakes | R005704 |
| GG4514QJ | Haldex | KSMA3124514Q | GL2301 | Great Lakes | R006000A |
| GG451528J | Haldex | KSMA3124515P | GL2302 | Great Lakes | R005991 |
| GG451537J | Haldex | KSMA3124515Q | GL2408 | Great Lakes | R004961A |
| GG451537J | Haldex | PKSMA3124515Q | GL3001 | Great Lakes | R004958 |
| GG451558J | Haldex | KSMA3124515F3 | GL3002 | Great Lakes | R004956A |
| GG4515QJ | Haldex | KSMA3124515Q | GL3003 | Great Lakes | R004956A |
| GG4515QJ | Haldex | PKSMA3124515Q | GL3004 | Great Lakes | R004962 |
| GG4515TJ | Haldex | KSMA3124515P | GL3005 | Great Lakes | R004963 |
| GG4515X3J | Haldex | KSMA3124515F3 | GL3006 | Great Lakes | R007775 |
| GG452410J | Haldex | KSMA3124524Q | GL3083 | Great Lakes | R005927G |
| GG4524QJ | Haldex | KSMA3124524QR- | GL3096 | Great Lakes | R005571AG |
| GG4524QMJ | Haldex | KSMA3124524QR | GL3097 | Great Lakes | R005572AG |

CROSS REFERENCE

| PART# | COMPETITOR | MERITOR# | PART# | COMPETITOR | MERITOR# |
|-----------|-------------|-----------------|---------|------------|--------------|
| GL3098 | Great Lakes | R005040AG | H10044L | Hercules | R607074 |
| GL3112 | Great Lakes | R005827G | H10045R | Hercules | R607073S |
| GL3113 | Great Lakes | R005828G | H10048L | Hercules | 2210-H-5390 |
| GL3114 | Great Lakes | R005829G | H10049R | Hercules | 2210-G-5389 |
| GL3158 | Great Lakes | R005885G | H10052L | Hercules | R607149 |
| GL3243 | Great Lakes | R005902G | H10054L | Hercules | R607049 |
| GL3244 | Great Lakes | R009023G | H10100L | Hercules | R607006 |
| GL3246 | Great Lakes | R005890 | H10101R | Hercules | R607005 |
| GL3255 | Great Lakes | R005904AG | H10124L | Hercules | R607173 |
| GL3256 | Great Lakes | R005905AG | H10125R | Hercules | R607174 |
| GL3257 | Great Lakes | R005747 | H10126L | Hercules | R607175 |
| GL3258 | Great Lakes | R005906 | H10127R | Hercules | R607176 |
| GL3263 | Great Lakes | R006053G | H10128L | Hercules | R607185 |
| GL3270 | Great Lakes | R005783G | H10129R | Hercules | R607186 |
| GL3279 | Great Lakes | R005821G | H10130L | Hercules | R607177 |
| GL3294 | Great Lakes | R006054G | H10131R | Hercules | R607178 |
| GL3298 | Great Lakes | R005953G | H10148L | Hercules | 2210-W-6731 |
| GP451537J | Haldex | KSMA4034515Q | H10149R | Hercules | 2210-X-6732 |
| GP4515QJ | Haldex | KSMA4034515Q | H10150L | Hercules | R607195 |
| GP470701J | Haldex | KSMA4034707QP | H10151R | Hercules | R607196 |
| GP4707QJ | Haldex | KSMA4034707QP | H10152L | Hercules | R607179 |
| GR1308Q2J | Haldex | KSMA2101308Q | H10153R | Hercules | R607180 |
| GR4515QJ | Haldex | KSMA2104515Q | H10154L | Hercules | R607181 |
| GR4524QJ | Haldex | KSMA2104524Q | H10155R | Hercules | R607182 |
| GR4702QJ | Haldex | KSMA2104702QP | H10156L | Hercules | R607197 |
| GR4707QJ | Haldex | KSMA2104707QP | H10157R | Hercules | R607198 |
| GR4715QJ | Haldex | KSMA2104715QP | H10158L | Hercules | R607183 |
| GS451412J | Haldex | KSMA2124514Q | H10159R | Hercules | R607184 |
| GS451528J | Haldex | KSMA2124515P | H10162L | Hercules | R607199 |
| GS451537J | Haldex | KSMA2124515Q | H10163R | Hercules | R607200 |
| GS452409J | Haldex | KSMA2124524Q | H10166L | Hercules | R607225 |
| GS452409J | Haldex | KSMA2124524QB30 | H10167R | Hercules | R607226 |
| GS455125J | Haldex | KSMA2124551Q | H10168L | Hercules | R607227 |
| GS470201J | Haldex | KSMA2124702QP | H10169R | Hercules | R607228 |
| GS470701J | Haldex | KSMA2124707QP | H10170L | Hercules | R607229 |
| GS470902J | Haldex | KSMA2124709E2 | H10171R | Hercules | R607230 |
| H | Erie | R005760 | H10172L | Hercules | R607231 |
| H10002L | Hercules | R607092 | H10173R | Hercules | R607232 |
| H10003R | Hercules | R607091 | H10174L | Hercules | R607233 |
| H10004L | Hercules | R607078 | H10175R | Hercules | R607234 |
| H10010L | Hercules | R607018 | H10176L | Hercules | R607277 |
| H10011R | Hercules | R607017 | H10177R | Hercules | R607278 |
| H10012L | Hercules | R607086 | H10180L | Hercules | R607253 |
| H10013R | Hercules | R607085 | H10181R | Hercules | R607254 |
| H10014L | Hercules | R607072 | H10182L | Hercules | 2210-D-6842 |
| H10016L | Hercules | R607076 | H10183R | Hercules | 2210-E-6843 |
| H10017R | Hercules | R607075 | H10184L | Hercules | 2210-F-6844 |
| H10018L | Hercules | R607080 | H10185R | Hercules | 2210-G-6845 |
| H10019L | Hercules | R607079 | H10186L | Hercules | 2210-M-6851 |
| H10026L | Hercules | R607036 | H10187R | Hercules | 2210-N-6852 |
| H10027R | Hercules | R607035 | H10188L | Hercules | 2210-R-6856 |
| H10028L | Hercules | R607147 | H10189R | Hercules | 2210-S-6857 |
| H10029R | Hercules | R607148 | H10190L | Hercules | 2210-V-6860 |
| H10030L | Hercules | R607149 | H10191R | Hercules | 2210-W-6861 |
| H10031R | Hercules | R607150 | H10198L | Hercules | 2210-C-6737S |
| H10032L | Hercules | R607261 | H10201R | Hercules | 2210-M-6747 |
| H10033R | Hercules | R607262 | H10203R | Hercules | 2210-R-6726 |
| H10036L | Hercules | R607098 | H10206L | Hercules | 2210-Q-6751 |
| H10037R | Hercules | R607097 | H10207R | Hercules | 2210-R-6752 |
| H10042L | Hercules | R607030 | H10214L | Hercules | R607111 |
| H10043R | Hercules | R607029 | H10215R | Hercules | R607112 |

CROSS REFERENCE

| PART# | COMPETITOR | MERITOR# | PART# | COMPETITOR | MERITOR# |
|---------|------------|-------------|---------|------------|-------------|
| H10216L | Hercules | R607151 | H10445R | Hercules | R607212 |
| H10217R | Hercules | R607152 | H10451R | Hercules | R607202 |
| H10218L | Hercules | R607105 | H10454L | Hercules | R607266 |
| H10219R | Hercules | R607106 | H10460L | Hercules | R607207 |
| H10220L | Hercules | R607153 | H10464L | Hercules | R607211 |
| H10221R | Hercules | R607154 | H10465R | Hercules | R607212 |
| H10222L | Hercules | R607155 | H10481R | Hercules | R607248 |
| H10223R | Hercules | R607156 | H10482L | Hercules | R607249 |
| H10224L | Hercules | R607115 | H10483R | Hercules | R607250 |
| H10225R | Hercules | R607116 | H10484L | Hercules | R607251 |
| H10226L | Hercules | R607113 | H10485R | Hercules | R607252 |
| H10227R | Hercules | R607114 | H10486L | Hercules | R607253 |
| H10228L | Hercules | R607109 | H10487R | Hercules | R607254 |
| H10229R | Hercules | R607110 | H10498L | Hercules | R607281 |
| H10230L | Hercules | R607107 | H10499R | Hercules | R607282 |
| H10231R | Hercules | R607108 | H10500L | Hercules | R607283 |
| H10232L | Hercules | R607325 | H10501R | Hercules | R607284 |
| H10233R | Hercules | R607326 | H10504L | Hercules | 2210-R-8156 |
| H10250L | Hercules | 2210-F-5726 | H10505R | Hercules | 2210-Q-8155 |
| H10251R | Hercules | 2210-E-5725 | H10506L | Hercules | R607082 |
| H10260L | Hercules | R607090 | H10507R | Hercules | R607081 |
| H10261R | Hercules | R607089 | H10512L | Hercules | R607019 |
| H10264L | Hercules | 2210-Y-6317 | H10513R | Hercules | R607020 |
| H10265R | Hercules | 2210-X-6316 | H10514L | Hercules | 2210-A-6319 |
| H10266L | Hercules | R607032 | H10515R | Hercules | 2210-Z-6318 |
| H10267R | Hercules | R607031 | H10516L | Hercules | 2210-J-2948 |
| H10268L | Hercules | R607040 | H10517R | Hercules | R607051 |
| H10278L | Hercules | R607093 | H10522L | Hercules | R607002 |
| H10279R | Hercules | R607094 | H10523R | Hercules | R607001 |
| H10285R | Hercules | 2210-D-1434 | H10526L | Hercules | 2210-T-8158 |
| H10292L | Hercules | R607026 | H10527R | Hercules | 2210-S-8157 |
| H10293R | Hercules | R607025 | H10528L | Hercules | R607011 |
| H10370L | Hercules | 2210-C-6165 | H10529R | Hercules | R607012 |
| H10371R | Hercules | 2210-D-6166 | H10532L | Hercules | R607070 |
| H10372L | Hercules | 2210-E-6167 | H10533R | Hercules | R607069 |
| H10373R | Hercules | 2210-F-6168 | H10542L | Hercules | 2210-J-2948 |
| H10380L | Hercules | 2210-G-6169 | H10543R | Hercules | 2210-H-2946 |
| H10381R | Hercules | 2210-H-6170 | H10544L | Hercules | R607046 |
| H10400L | Hercules | 2210-Y-7409 | H10545R | Hercules | R607045 |
| H10401R | Hercules | 2210-X-7408 | H10546L | Hercules | R607042 |
| H10402L | Hercules | 2210-J-7524 | H10547R | Hercules | R607041 |
| H10403R | Hercules | 2210-H-7522 | H10548L | Hercules | R607048 |
| H10404L | Hercules | 2210-C-7543 | H10549R | Hercules | R607047 |
| H10405R | Hercules | 2210-B-7542 | H10550L | Hercules | 2210-Q-7427 |
| H10414L | Hercules | 2210-N-7684 | H10551R | Hercules | 2210-Q-7427 |
| H10415R | Hercules | 2210-M-7683 | H10552L | Hercules | 2210-G-7443 |
| H10416L | Hercules | R607221 | H10553R | Hercules | 2210-F-7442 |
| H10417R | Hercules | R607222 | H10554L | Hercules | 2210-T-7456 |
| H10418L | Hercules | R607169 | H10555R | Hercules | 2210-U-7457 |
| H10419R | Hercules | R607170 | H10556L | Hercules | 2210-E-7493 |
| H10420L | Hercules | R607189 | H10557R | Hercules | 2210-D-7492 |
| H10421R | Hercules | R607190 | H10558L | Hercules | 2210-A-7515 |
| H10422L | Hercules | R607171 | H10559R | Hercules | 2210-Z-7514 |
| H10423R | Hercules | R607172 | H10560L | Hercules | 2210-J-7524 |
| H10424L | Hercules | R607197 | H10561R | Hercules | 2210-H-7522 |
| H10425R | Hercules | R607198 | H10562L | Hercules | 2210-W-7537 |
| H10426L | Hercules | R607199 | H10563R | Hercules | 2210-V-7536 |
| H10427R | Hercules | R607200 | H10564L | Hercules | 2210-C-7569 |
| H10430L | Hercules | R607279 | H10565R | Hercules | 2210-B-7568 |
| H10431R | Hercules | R607280 | H10566L | Hercules | 2210-U-7587 |
| H10444L | Hercules | R607211 | H10567R | Hercules | 2210-T-7586 |

CROSS REFERENCE

| PART# | COMPETITOR | MERITOR# | PART# | COMPETITOR | MERITOR# |
|---------|------------|-------------|---------|------------|-------------|
| H10568L | Hercules | 2210-C-7595 | H10854L | Hercules | 2210-C-6867 |
| H10569R | Hercules | 2210-B-7594 | H10855R | Hercules | 2210-B-6866 |
| H10570L | Hercules | R607056 | H10856L | Hercules | 2210-G-6871 |
| H10571R | Hercules | R607055 | H10857R | Hercules | 2210-F-6870 |
| H10572L | Hercules | R607191 | H10858L | Hercules | 2210-E-6869 |
| H10573R | Hercules | R607192 | H10859R | Hercules | 2210-D-6868 |
| H10574L | Hercules | R607193 | H10864L | Hercules | 2210-U-7535 |
| H10575R | Hercules | R607194 | H10865R | Hercules | 2210-T-7534 |
| H10604L | Hercules | R607141 | H10868L | Hercules | 2210-E-7597 |
| H10605R | Hercules | R607142 | H10869R | Hercules | 2210-D-7596 |
| H10606L | Hercules | R607133 | H10878L | Hercules | R607269 |
| H10607R | Hercules | R607134 | H10879R | Hercules | R607270 |
| H10610L | Hercules | R607137 | H10882L | Hercules | R607271 |
| H10611R | Hercules | R607138 | H10883R | Hercules | R607272 |
| H10616L | Hercules | R607135 | H10886L | Hercules | R607273 |
| H10617R | Hercules | R607136 | H10887R | Hercules | R607274 |
| H10619R | Hercules | R607146 | H10890L | Hercules | R607275 |
| H10752L | Hercules | R607068 | H10891R | Hercules | R607276 |
| H10753R | Hercules | R607067 | H10936L | Hercules | R607267 |
| H10754L | Hercules | R607034 | H10937R | Hercules | R607268 |
| H10755R | Hercules | R607033 | H10986L | Hercules | R607285 |
| H10758L | Hercules | 2210-V-8160 | H10987R | Hercules | R607286 |
| H10759R | Hercules | 2210-U-8159 | H10990L | Hercules | R607287 |
| H10760L | Hercules | R607016 | H10991R | Hercules | R607288 |
| H10761R | Hercules | R607015 | H10992L | Hercules | R607289 |
| H10770L | Hercules | 2210-L-7838 | H10993R | Hercules | R607290 |
| H10771R | Hercules | 2210-K-7837 | H10994L | Hercules | R607291 |
| H10772L | Hercules | 2210-J-7628 | H10995R | Hercules | R607292 |
| H10773R | Hercules | 2210-H-7626 | H10996L | Hercules | R607293 |
| H10774L | Hercules | 2210-A-7645 | H10997R | Hercules | R607294 |
| H10775R | Hercules | 2210-Z-7644 | H10998L | Hercules | R607295 |
| H10776L | Hercules | 2210-A-7671 | H11000L | Hercules | 2210-Q-4905 |
| H10777R | Hercules | 2210-Z-7670 | H11001R | Hercules | 2210-R-4906 |
| H10778L | Hercules | 2210-S-7689 | H11008L | Hercules | 2210-X-5536 |
| H10779R | Hercules | 2210-T-7586 | H11018L | Hercules | 2210-A-6007 |
| H10812L | Hercules | R607162 | H11019R | Hercules | 2210-B-6008 |
| H10813R | Hercules | R607161 | H11024L | Hercules | 2210-Q-7453 |
| H10814L | Hercules | R607263 | H11025R | Hercules | 2210-P-7452 |
| H10815R | Hercules | R607264 | H11034L | Hercules | 2210-R-7454 |
| H10816L | Hercules | R607259 | H11035R | Hercules | 2210-S-7455 |
| H10817R | Hercules | R607260 | H12000L | Hercules | R607297 |
| H10818L | Hercules | R607163 | H12001R | Hercules | R607298 |
| H10819R | Hercules | R607164 | H12028L | Hercules | 2210-R-8182 |
| H10832L | Hercules | R607117 | H12034L | Hercules | R607323 |
| H10833R | Hercules | R607118 | H12035R | Hercules | R607324 |
| H10834L | Hercules | R607119 | H2010A | Hercules | R824000 |
| H10835R | Hercules | R607120 | H2012A | Hercules | R824007 |
| H10836L | Hercules | R607123 | H2019A | Hercules | R824004 |
| H10837R | Hercules | R607124 | H2020A | Hercules | R824001 |
| H10840L | Hercules | 2210-J-7420 | H2022A | Hercules | R824003 |
| H10841R | Hercules | 2210-H-7418 | H504400 | Dana | R004955 |
| H10842L | Hercules | 2210-S-7429 | H8602 | Hercules | R617003 |
| H10843R | Hercules | 2210-R-7428 | H8643 | Hercules | KIT-9037 |
| H10844L | Hercules | 2210-M-7449 | H8645 | Hercules | KIT-970 |
| H10845R | Hercules | 2210-M-7449 | H8646 | Hercules | KIT-9078 |
| H10846L | Hercules | 2210-R-7454 | H8648 | Hercules | R615002 |
| H10847R | Hercules | 2210-S-7455 | H8649 | Hercules | R615005 |
| H10848L | Hercules | 2210-J-7498 | H8650 | Hercules | R615006 |
| H10849R | Hercules | 2210-H-7496 | H8652 | Hercules | R615008 |
| H10850L | Hercules | 2210-Q-7531 | H8655 | Hercules | R615010 |
| H10851R | Hercules | 2210-P-7530 | H8656 | Hercules | R615009 |

CROSS REFERENCE

| PART# | COMPETITOR | MERITOR# | PART# | COMPETITOR | MERITOR# |
|------------|------------|----------------|-------------|------------|---------------|
| H8657 | Hercules | R615003 | HK24XLSHM | Dana | R507077 |
| H8661 | Hercules | KIT-9034 | HK24XLSLM | Spicer | R507002 |
| H8682 | Hercules | R615010 | HK26 | Spicer | R507072 |
| H8683 | Hercules | KIT-8048 | HK29 | Spicer | KIT-8000 |
| H8684 | Hercules | R615004 | HK29BULK | Spicer | KIT-8000-BULK |
| H8685Z | Hercules | R615007 | HK29SD | Spicer | KIT-8000HD |
| H8686 | Hercules | KIT-971 | HK29XLS | Spicer | KIT-8000HD |
| H8688 | Hercules | KIT-9304 | HK34SD | Spicer | R507008 |
| H8696 | Hercules | A2-3105-G-1151 | HK34XLS | Spicer | R507008 |
| H8707 | Hercules | KIT-8042 | HK4311E | Uni-Bond | MKT-4311EHDN |
| H8712 | Hercules | R615000 | HK4311EHM | Uni-Bond | R507077 |
| H8714 | Hercules | R630003 | HK43XLS | Spicer | R507015 |
| H8742 | Hercules | R615013 | HK44XLS | Spicer | KIT-8004 |
| H8743 | Hercules | KIT-9300 | HK4515F1 | Uni-Bond | MKT-4515X |
| H8746 | Hercules | R615015 | HK4515F3 | Uni-Bond | MKT-4515X |
| H8746Z | Hercules | R615021 | HK4515F57 | Uni-Bond | R507006 |
| H8766 | Hercules | KIT-8033A | HK4515P | Uni-Bond | MKT-4515P |
| H8772M | Hercules | KIT-8078A | HK4515P1 | Uni-Bond | MKT-4515P |
| H8783 | Hercules | A-3105-L-1078 | HK4515P60 | Uni-Bond | KIT-9002 |
| H8788 | Hercules | KIT-8289 | HK4515P63 | Uni-Bond | KIT-9002 |
| H8792 | Hercules | R615019 | HK4515Q1 | Uni-Bond | MKT-4515QN |
| H8793 | Hercules | R615018 | HK4515Q14 | Uni-Bond | MKT-4515QN |
| HBG3390 | PAI | 1225-U-151 | HK4515Q3 | Uni-Bond | MKT-4515QN |
| HBG5280 | PAI | R570005 | HK4515Q34 | Uni-Bond | MKT-4515QHDN |
| HCK1404 | Hercules | KIT-9078 | HK4515Q81 | Uni-Bond | KIT-8000MB |
| HCK1407 | Hercules | R615005 | HK4515Q814 | Uni-Bond | KIT-8000MB |
| HCK1416 | Hercules | KIT-9034 | HK4515Q83 | Uni-Bond | KIT-8000MBHD |
| HCK1419 | Hercules | KIT-8048 | HK4515Q834 | Uni-Bond | KIT-8000MBHD |
| HCK1425 | Hercules | KIT-8042 | HK4515Q881 | Uni-Bond | MKT-4515U |
| HCK1433 | Hercules | KIT-8033 | HK4515Q8814 | Uni-Bond | MKT-4515U |
| HCK1443 | Hercules | KIT-8289 | HK4515Q883 | Uni-Bond | MKT-4515UHD |
| HFT5340 | PAI | R547031 | HK4515Q8834 | Uni-Bond | MKT-4515UHD |
| HK1225D | Uni-Bond | R507014 | HK4524QM | Uni-Bond | KIT-8081 |
| HK1225D51 | Uni-Bond | R507074 | HK45XLS | Spicer | R507014 |
| HK1225D52 | Uni-Bond | R507088 | HK4702Q | Uni-Bond | MKT-4702KT |
| HK1225DU | Uni-Bond | R507076 | HK4708EQ | Uni-Bond | R507062 |
| HK1225DU53 | Uni-Bond | R507078 | HK4709E | Uni-Bond | MKT-4709ESN |
| HK1225DU54 | Uni-Bond | R507090 | HK4709E12 | Uni-Bond | MKT-4709ES2N |
| HK1225DX | Uni-Bond | R507095 | HK4716E | Uni-Bond | R507086 |
| HK1225E | Uni-Bond | R507000 | HK4717E | Uni-Bond | R507083 |
| HK1225F | Uni-Bond | R507005 | HK4719E | Uni-Bond | R507094 |
| HK1225Q | Uni-Bond | KIT-8004 | HK47XLS125 | Spicer | R507076 |
| HK1225SF | Uni-Bond | R507015 | HK47XLS150 | Spicer | R507095 |
| HK1225SF55 | Uni-Bond | R507068 | HK49150 | Spicer | R507017 |
| HK1308E | Uni-Bond | MKT-1308E | HK50 | Spicer | KIT-9094 |
| HK1308Q | Uni-Bond | 1229-V-1504 | HK51 | Spicer | KIT-9094 |
| HK1308Q88 | Uni-Bond | R508030 | HK54 | Spicer | R507004 |
| HK1308T | Uni-Bond | MKT-1308T | HK55 | Spicer | KIT-8021 |
| HK1308T88 | Uni-Bond | KIT-1125 | HK61 | Spicer | R507064 |
| HK14SD | Spicer | KIT-9000 | HK61SD | Spicer | R507064 |
| HK14XLS | Spicer | KIT-9000 | HK61XLS | Spicer | R507064 |
| HK1500B | Uni-Bond | R507080 | HK62XLS | Spicer | R507094 |
| HK1540W | Uni-Bond | R507073 | HK63 | Spicer | R507057 |
| HK16 | Spicer | KIT-9002 | HK63XLS | Spicer | R507057 |
| HK1657B | Uni-Bond | R507081 | HK68 | Spicer | KIT-9179 |
| HK1657B88 | Uni-Bond | R507082 | HK70 | Spicer | R507080 |
| HK1657M50 | Uni-Bond | KIT-8026HD | HK71 | Spicer | R507081 |
| HK1657QFL | Uni-Bond | KIT-8037 | HK72 | Spicer | R507084 |
| HK1657QM | Uni-Bond | KIT-8081 | HK74XLS | Spicer | KIT-8014HD |
| HK16XLS | Spicer | KIT-9002 | HK77 | Spicer | KIT-8029 |
| HK1800E | Uni-Bond | R507072 | HK81XLS | Spicer | KIT-8081 |

CROSS REFERENCE

| PART# | COMPETITOR | MERITOR# | PART# | COMPETITOR | MERITOR# |
|----------|------------|--------------|-----------|------------|-------------|
| HK95XLS | Spicer | KIT-8028-A- | HQ10352L | Hercules | 2210-G-6871 |
| HLK5310 | PAI | 1229-D-2942 | HQ10353R | Hercules | 2210-F-6870 |
| HM212049 | Timken | 1228-N-404 | HQ10354L | Hercules | 2210-E-6869 |
| HM218248 | Timken | 1228-Q-407 | HQ10355R | Hercules | 2210-D-6868 |
| HQ10002L | Hercules | R607092 | HQ10356L | Hercules | 2210-C-7569 |
| HQ10003R | Hercules | 2210-W-5639S | HQ10357R | Hercules | 2210-B-7568 |
| HQ10004L | Hercules | R607078 | HQ10358L | Hercules | 2210-U-7587 |
| HQ10012L | Hercules | R607086 | HQ10359R | Hercules | 2210-T-7586 |
| HQ10013R | Hercules | R607085 | HQ10360L | Hercules | 2210-U-7457 |
| HQ10260L | Hercules | R607090 | HQ10361R | Hercules | 2210-T-7456 |
| HQ10278L | Hercules | R607093 | HQ10362L | Hercules | 2210-L-7552 |
| HQ10279R | Hercules | R607094 | HQ10363R | Hercules | 2210-K-7551 |
| HQ10285R | Hercules | 2210-D-1434 | HQ10364L | Hercules | 2210-R-8156 |
| HQ10300L | Hercules | 2210-L-7396 | HQ10365R | Hercules | 2210-Q-8155 |
| HQ10301R | Hercules | 2210-K-7395 | HQ10366L | Hercules | 2210-T-8158 |
| HQ10302L | Hercules | 2210-Q-7427 | HQ10367R | Hercules | 2210-S-8157 |
| HQ10303R | Hercules | 2210-K-7421 | HQ10368L | Hercules | 2210-V-8160 |
| HQ10304L | Hercules | 2210-U-7483 | HQ10369R | Hercules | 2210-U-8159 |
| HQ10305R | Hercules | 2210-T-7482 | HQ10374L | Hercules | 2210-L-7344 |
| HQ10306L | Hercules | 2210-E-7493 | HQ10375R | Hercules | 2210-K-7343 |
| HQ10307R | Hercules | 2210-D-7492 | HQ10376L | Hercules | 2210-Q-7375 |
| HQ10308L | Hercules | 2210-N-7502 | HQ10377R | Hercules | 2210-P-7374 |
| HQ10309R | Hercules | 2210-M-7501 | HQ10378L | Hercules | 2210-G-7417 |
| HQ10310L | Hercules | 2210-J-7524 | HQ10379R | Hercules | 2210-F-7416 |
| HQ10311R | Hercules | 2210-H-7522 | HQ10382L | Hercules | 2210-U-7431 |
| HQ10312L | Hercules | 2210-W-7537 | HQ10383R | Hercules | 2210-T-7430 |
| HQ10313R | Hercules | 2210-V-7536 | HQ10384L | Hercules | 2210-Q-7453 |
| HQ10316L | Hercules | 2210-C-7595 | HQ10385R | Hercules | 2210-P-7452 |
| HQ10317R | Hercules | 2210-B-7594 | HQ10386L | Hercules | 2210-C-7465 |
| HQ10318L | Hercules | 2210-L-7838 | HQ10387R | Hercules | 2210-B-7464 |
| HQ10319R | Hercules | 2210-K-7837 | HQ10388L | Hercules | 2210-G-7469 |
| HQ10320L | Hercules | 2210-L-7838 | HQ10389R | Hercules | 2210-F-7468 |
| HQ10321R | Hercules | 2210-K-7837 | HQ10390L | Hercules | 2210-L-7474 |
| HQ10322L | Hercules | 2210-J-7628 | HQ10391R | Hercules | 2210-K-7473 |
| HQ10323R | Hercules | 2210-H-7626 | HQ10392L | Hercules | 2210-Q-7479 |
| HQ10324L | Hercules | 2210-J-7654 | HQ10393R | Hercules | 2210-P-7478 |
| HQ10325R | Hercules | 2210-H-7652 | HQ10396L | Hercules | 2210-Q-7843 |
| HQ10326L | Hercules | 2210-W-7667 | HQ10397R | Hercules | 2210-P-7842 |
| HQ10327R | Hercules | 2210-V-7666 | HQ10398L | Hercules | 2210-W-7511 |
| HQ10328L | Hercules | 2210-A-7671 | HQ10399R | Hercules | 2210-V-7510 |
| HQ10329R | Hercules | 2210-Z-7670 | HQ10506L | Hercules | R607082 |
| HQ10330L | Hercules | 2210-N-7684 | HQ10507R | Hercules | R607081 |
| HQ10331R | Hercules | 2210-M-7683 | HQ10522L | Hercules | R607177 |
| HQ10332L | Hercules | 2210-W-7693 | HQ10523R | Hercules | R607178 |
| HQ10333R | Hercules | 2210-V-7692 | HQ10532L | Hercules | R607070 |
| HQ10334L | Hercules | 2210-J-7784 | HQ10533R | Hercules | R607069 |
| HQ10335R | Hercules | 2210-H-7782 | HQ10676L | Hercules | 2210-Q-7661 |
| HQ10336L | Hercules | 2210-A-7645 | HQ10677R | Hercules | 2210-P-7660 |
| HQ10337R | Hercules | 2210-Z-7644 | HQ10698L | Hercules | 2210-C-7959 |
| HQ10338L | Hercules | 2210-C-7413 | HQ10699R | Hercules | 2210-B-7958 |
| HQ10339R | Hercules | 2210-B-7412 | HQ10752L | Hercules | R607068 |
| HQ10340L | Hercules | 2210-C-7543 | HQ10753R | Hercules | R607067 |
| HQ10341R | Hercules | 2210-B-7542 | HRT5350 | PAI | R547032 |
| HQ10342L | Hercules | 2210-S-7689 | HSC0105 | PAI | R004990A |
| HQ10343R | Hercules | 2210-T-7586 | HSC0154 | PAI | R004990A |
| HQ10344L | Hercules | 2210-Y-7409 | HWC5491 | PAI | R005828G |
| HQ10345R | Hercules | 2210-X-7408 | HWC5520 | PAI | R005044 |
| HQ10348L | Hercules | 2210-A-7515 | HWC5590 | PAI | R005571AG |
| HQ10349R | Hercules | 2210-Z-7514 | HWP5180 | PAI | R547029 |
| HQ10350L | Hercules | 2210-C-6867 | K 284/287 | Leland | KIT-8020 |
| HQ10351R | Hercules | 2210-B-6866 | K 289 (2) | Leland | KIT-8058 |

CROSS REFERENCE

| PART# | COMPETITOR | MERITOR# | PART# | COMPETITOR | MERITOR# |
|---------|--------------|---------------|--------|--------------|-------------|
| K03 | Kaiser | R0010213L | K265 | Leland | KIT-9204 |
| K04 | Kaiser | R0010213R | K269 | Leland | KIT-8048 |
| K05 | Kaiser | R0010214L | K27 | Leland | KIT-1192 |
| K06 | Kaiser | R0010214R | K27/33 | Leland | KIT-1192 |
| K1 | Sirco Brake | KIT-8002HD | K270 | Leland | KIT-8048 |
| K103 | Leland | R507001 | K272 | Leland | KIT-9304 |
| K104 | Leland | KIT-9035 | K273 | Leland | KIT-9300 |
| K104 | Leland | KIT-971 | K274 | Leland | KIT-9179 |
| K105 | Leland | R507005 | K275 | Leland | R507072 |
| K106 | Leland | R507000 | K277 | Leland | R507074 |
| K108 | Leland | R615005 | K278 | Leland | KIT-8042 |
| K112 | Leland | KIT-1129 | K279 | Leland | R507076 |
| K115 | Leland | KIT-9062N | K280 | Leland | MKT-4515X |
| K116 | Leland | KIT-9001 | K280A | Leland | MKT-4515X |
| K116 | Leland | R509001 | K282 | Leland | KIT-8061 |
| K117 | Leland | MKT-4515QN | K283 | Leland | MKT-1308Q |
| K118 | Leland | R507006 | K284 | Leland | KIT-8020 |
| K119 | Leland | MKT-4311EHDN | K285 | Leland | KIT-8022 |
| K123 | Leland | R615008 | K285 | Leland | KIT-8092 |
| K125 | Leland | MKT-4515U | K287 | Leland | KIT-8020 |
| K127 | Leland | R507006 | K288 | Leland | R507075 |
| K128 | Leland | MKT-4515QH DN | K289 | Leland | KIT-8058 |
| K128A | Leland | MKT-4515QH DN | K290 | Leland | KIT-8113 |
| K128K | Leland | MKT-4515QN | K292 | Leland | KIT-8081 |
| K134 | Leland | R507073 | K293 | Leland | KIT-8026HD |
| K135 | Leland | MKT-4515X | K295 | Leland | MKT-4709ESN |
| K136 | Leland | MKT-4515X | K296 | Leland | R615015 |
| K138 | Leland | R615003 | K297 | Leland | R507080 |
| K139 | Leland | R002123 | K299 | Leland | R507081 |
| K140 | Leland | R615002 | K30021 | Kelsey-Hayes | R001902 |
| K141 | Leland | R615004 | K30023 | Kelsey-Hayes | R005008 |
| K144 | Leland | R615001 | K301 | Leland | R615016 |
| K146 | Leland | R615009 | K302 | Leland | R615017 |
| K147 | Leland | R615000 | K303 | Leland | MKT-4515U |
| K149 | Leland | KIT-9035 | K304 | Leland | MKT-4515UHD |
| K149(2) | Leland | KIT-9035 | K306 | Leland | MKT-4515QN |
| K151 | Leland | R615007 | K307 | Leland | R507084 |
| K152 | Leland | KIT-971 | K30719 | Kelsey-Hayes | R004962 |
| K152(2) | Leland | KIT-971 | K308 | Leland | R670025 |
| K154 | Leland | KIT-8004 | K309K | Leland | MKT-4515X |
| K157 | Leland | R615008 | K31 | Leland | R670015 |
| K162 | Leland | KIT-971 | K311 | Leland | R670025 |
| K19374 | Kelsey-Hayes | R007897R | K313 | Leland | KIT-8289 |
| K20048 | Kelsey-Hayes | R004988R | K313 | Leland | KIT-8314 |
| K20049 | Kelsey-Hayes | R004988L | K314 | Leland | R615008 |
| K20441 | Kelsey-Hayes | R007897L | K315 | Leland | MKT-4515X |
| K23 | Leland | KIT-1105B | K316 | Leland | R507077 |
| K23/24 | Leland | KIT-1105B | K318 | Leland | MKT-4702KT |
| K235 | Leland | R670015 | K31Z | Leland | R670015 |
| K24 | Leland | KIT-1105B | K321 | Leland | KIT-8000MB |
| K25 | Leland | KIT-1128 | K322 | Leland | R507062 |
| K25 (2) | Leland | KIT-1128 | K323 | Leland | KIT-1105B |
| K25260 | Gunite | R005556R | K324 | Leland | KIT-9006LHB |
| K25261 | Gunite | R005556L | K325 | Leland | KIT-1106B |
| K25264 | Kelsey-Hayes | R005652R | K326 | Leland | R507087 |
| K25265 | Kelsey-Hayes | R005652L | K328 | Leland | MKT-4515X |
| K26 | Leland | KIT-1129 | K329 | Leland | KIT-8000HD |
| K26 (2) | Leland | KIT-1129 | K33 | Leland | KIT-1192 |
| K260 | Leland | MKT-1308T | K330 | Leland | MKT-4515X |
| K263 | Leland | MKT-1308E | K331 | Leland | KIT-8314 |
| K264 | Leland | R615013 | K332 | Leland | KIT-8000HD |

CROSS REFERENCE

| PART# | COMPETITOR | MERITOR# | PART# | COMPETITOR | MERITOR# |
|----------|--------------|--------------|----------|----------------|--------------|
| K334 | Leland | R508053 | K52 | Leland | R615006 |
| K335 | Leland | R507088 | K52 (2) | Leland | R615006 |
| K336 | Leland | R507090 | K53 | Leland | KIT-970 |
| K339 | Leland | MKT-4515QN | K53 (2) | Leland | KIT-970 |
| K340 | Leland | R615019 | K59 | Leland | KIT-9002 |
| K34271 | Kelsey-Hayes | R005977R | K59 | Leland | KIT-9017 |
| K34272 | Kelsey-Hayes | R005977L | K59 | Leland | R509000 |
| K343 | Leland | R615008 | K60 | Leland | MKT-4515P |
| K344 | Leland | R615008 | K62 | Leland | R507014 |
| K34435 | Kelsey-Hayes | R005032 | K63 | Leland | KIT-1106B |
| K34460 | Gunite | R0010229 | K64 | Leland | R670016 |
| K345 | Leland | R615010 | K69 | Leland | R507015 |
| K346 | Leland | R615009 | K70 | Leland | MKT-4515QN |
| K348 | Leland | R615008 | K70A | Leland | KIT-8000MB |
| K348 | Leland | R615019 | K7113500 | Dexter | R615008 |
| K352 | Leland | R507015 | K7113600 | Dexter | KIT-8000 |
| K353 | Leland | R507095 | K73 | Leland | KIT-8049 |
| K354 | Leland | MKT-4515XHD | K75 | Leland | KIT-9017N |
| K356 | Leland | R507086 | K75 | Leland | MKT-4515P |
| K357 | Leland | R615002 | K76 | Leland | R507006 |
| K358 | Leland | R507083 | K77 | Leland | KIT-9003 |
| K359 | Leland | R615002 | K79 | Leland | R615003 |
| K360 | Leland | R615004 | K80 | Leland | R615002 |
| K361 | Leland | R615022 | K81 | Leland | KIT-9078 |
| K361 | Leland | R009791HD | K83 | Leland | R615004 |
| K36162 | Kelsey-Hayes | R007895R | K84 | Leland | R615008 |
| K36163 | Kelsey-Hayes | R007895L | K86 | Leland | R615003 |
| K363 | Leland | KIT-8078A | K87 | Leland | R615001 |
| K366 | Leland | KIT-8037 | K88 | Leland | R615005 |
| K367 | Leland | KIT-8042 | K89 | Leland | R615010 |
| K36707 | Kelsey-Hayes | R004965R | K9001 | Leland | KIT-9001 |
| K36708 | Kelsey-Hayes | R004965L | K9001 | Leland | MKT-4515P |
| K369 | Leland | R507095 | K91 | Leland | R615000 |
| K373 | Leland | R507092 | K92 | Leland | KIT-8051 |
| K375 | Leland | MKT-4709ES2N | K93 | Leland | KIT-9037 |
| K37555 | Kelsey-Hayes | R005613R | K94 | Leland | R615006 |
| K37556 | Kelsey-Hayes | R005613L | K95 | Leland | KIT-9035 |
| K376 | Leland | R507094 | K97 | Leland | KIT-970 |
| K42 | Leland | MKT-4311EHDN | K98 | Leland | KIT-9035 |
| K43 | Leland | R507011 | K99 | Leland | R615007 |
| K44 | Leland | KIT-9017N | KIT#1 | Hercules | MKT-4515QHDN |
| K44 | Leland | R509063 | KIT#2 | Hercules | MKT-4311EHDN |
| K44A | Leland | KIT-9001 | KIT#3 | Hercules | MKT-4515X |
| K44A | Leland | KIT-9002 | KIT#3 | Hercules | MKT-4515XHD |
| K44A | Leland | KIT-9017 | KIT220 | Eagle/Norcross | KIT-9037 |
| K44B | Leland | KIT-9063 | KIT4 | Transit Parts | R509000 |
| K45 | Leland | R509001 | KIT8 | Transit Parts | R509000 |
| K451515A | Eaton | KSMA2014515Q | KIT81 | Leland | KIT-8030 |
| K451515B | Eaton | KSMA2014515Q | KIT9 | Transit Parts | R509063 |
| K45681 | Kelsey-Hayes | R005734 | KN44041 | Haldex | R824007 |
| K46009 | Kelsey-Hayes | R005682 | KN44051 | Haldex | R824003 |
| K46010 | Kelsey-Hayes | R005683 | KN44061 | Haldex | R824004 |
| K48 | Leland | KIT-9078 | KN47001 | Haldex | R824000 |
| K48 (2) | Leland | KIT-9078 | KN47011 | Haldex | R824001 |
| K481 | Leland | R615023 | KN47081 | Haldex | R823000 |
| K481 | Leland | R615024 | KN48031 | Haldex | R824009 |
| K50 | Leland | R507068 | KN49030 | Haldex | R824012 |
| K505 | Leland | R615019 | KN51000 | Haldex | R002091 |
| K51 | Leland | KIT-9037 | KN52100 | Haldex | R823000 |
| K51 (2) | Leland | KIT-9037 | L 109 | Leland | 5-X-640 |
| K515 | Leland | R615026 | L 580 | Leland | R607002 |

CROSS REFERENCE

| PART# | COMPETITOR | MERITOR# | PART# | COMPETITOR | MERITOR# |
|-----------|------------|---------------|-------|------------|---------------|
| L 581 | Leland | R607001 | L1281 | Leland | R517506 |
| L1017 | Leland | A-1199-X-2988 | L1282 | Leland | R700005 |
| L1018 | Leland | 2258-W-439 | L1283 | Leland | R704591 |
| L102 | Leland | 2258-B-288 | L1284 | Leland | R547005 |
| L1020 | Leland | S146 | L1286 | Leland | 2258-E-629 |
| L1020 (2) | Leland | KIT-9020 | L1286 | Leland | 2258-H-580 |
| L1021 | Leland | 1199-P-2538 | L1288 | Leland | A-3222-X-1142 |
| L1023 | Leland | R607019 | L1288 | Leland | A-3722-L-64 |
| L1024 | Leland | R607020 | L1289 | Leland | A-3722-N-66 |
| L1025 | Leland | R002128 | L129 | Leland | 1225-A-183 |
| L1026 | Leland | 1229-T-1996 | L1290 | Leland | A-3222-L-1572 |
| L1026 | Leland | R001252 | L1291 | Leland | A-3722-S-357 |
| L103 | Leland | 1259-X-76 | L1292 | Leland | A-3722-T-358 |
| L1034 | Leland | R567004 | L1293 | Leland | 1205-Q-2123 |
| L1035 | Leland | R567003 | L1294 | Leland | 1225-A-833 |
| L1037 | Leland | A-3222-D-784 | L1295 | Leland | 1205-V-1452 |
| L1038 | Leland | A-3722-D-680 | L1296 | Leland | 1225-B-834 |
| L1039 | Leland | A-3722-E-681 | L1297 | Leland | 1229-X-3118 |
| L1040 | Leland | A-3222-L-1572 | L1298 | Leland | 2210-Q-8155 |
| L1041 | Leland | A-3222-R-1422 | L1299 | Leland | 2210-R-8156 |
| L1042 | Leland | R700327 | L130 | Leland | 1259-U-151 |
| L1049 | Leland | 2797-C-133 | L1305 | Leland | KIT-9034 |
| L105 | Leland | A-1205-S-1943 | L1306 | Leland | 2258-H-580 |
| L1066 | Leland | R670027 | L1307 | Leland | 1205-X-726 |
| L1072 | Leland | R607017 | L1308 | Leland | R823002 |
| L1073 | Leland | R607018 | L1316 | Flagg | R002462 |
| L1074 | Leland | R607005 | L1317 | Leland | A-2297-L-3158 |
| L1075 | Leland | R607006 | L132 | Leland | 1227-V-516 |
| L1083 | Leland | R700400 | L132 | Leland | 1227-V-516 |
| L1084 | Leland | R700401 | L1321 | Leland | A-3222-A-1717 |
| L110 | Leland | 1205-K-193 | L1322 | Leland | R700321 |
| L111 | Leland | 1229-X-1116 | L1324 | Leland | R700381 |
| L112 | Leland | 1225-F-266 | L1327 | Flagg | R002237 |
| L113 | Leland | 1259-R-252 | L1327 | Leland | R002237 |
| L114 | Leland | 1259-U-281 | L1328 | Leland | R001087 |
| L115 | Leland | 2258-K-349 | L1329 | Leland | 1229-T-462 |
| L1178 | Leland | 1205-C-2005 | L1331 | Leland | 1227-B-106 |
| L118 | Leland | 1229-T-3166 | L1331 | Flagg | R002296 |
| L1183 | Leland | A-2297-B-5670 | L1331 | Leland | R002296 |
| L1184 | Leland | A-2297-B-5670 | L1332 | Leland | 1229-F-474 |
| L1186 | Leland | 1199-F-3464 | L1332 | Flagg | R002298 |
| L1188 | Leland | A-2297-L-3158 | L1332 | Leland | R002298 |
| L119 | Leland | 1246-G-345 | L1333 | Leland | 1229-G-475 |
| L1190 | Leland | R700004 | L1333 | Flagg | R002297 |
| L1191 | Leland | R617009 | L1333 | Leland | R002297 |
| L1193 | Leland | 2210-D-1434 | L1334 | Flagg | 1227-U-541 |
| L1193 | Leland | R607102 | L1334 | Leland | 1227-U-541 |
| L1194 | Leland | R607101 | L1334 | Leland | R002299 |
| L1198 | Leland | R630003 | L1335 | Leland | 1227-F-162 |
| L1199 | Leland | R617002 | L1336 | Leland | R002301 |
| L120 | Leland | 1229-J-868 | L1337 | Leland | 1229-H-1568 |
| L1202 | Leland | R607015 | L1338 | Leland | KIT-1416 |
| L1203 | Leland | R607016 | L1339 | Leland | 1229-C-1693 |
| L1204 | Leland | R607071 | L1340 | Leland | 1227-D-108 |
| L1205 | Leland | R607072 | L1341 | Leland | 1229-J-478 |
| L1209 | Leland | R537003 | L1342 | Leland | 1229-H-476 |
| L125 | Leland | 5-X-265 | L1343 | Leland | 1227-S-1527 |
| L1275 | Leland | R002091 | L1344 | Leland | 1227-D-446 |
| L1276 | Leland | R002518A | L1345 | Leland | 1229-C-1459 |
| L1279 | Leland | R567005 | L1346 | Leland | 1227-U-515 |
| L1280 | Leland | R517003 | L1348 | Leland | 1229-G-1021 |

CROSS REFERENCE

| PART# | COMPETITOR | MERITOR# | PART# | COMPETITOR | MERITOR# |
|-------|------------|-----------------|-------|------------|-------------|
| L1349 | Leland | 1227-T-540 | L1513 | Leland | R005952 |
| L1350 | Leland | 1227-H-346 | L1514 | Leland | R005737 |
| L1351 | Leland | 1229-R-1058 | L1515 | Leland | R005740 |
| L1352 | Leland | 1227-V-516 | L1516 | Leland | R005957 |
| L1353 | Flagg | 1227-R-330 | L1517 | Leland | R005743 |
| L1353 | Leland | 1227-R-330 | L1518 | Leland | R005960 |
| L1353 | Leland | R002305 | L1519 | Leland | R005796 |
| L1354 | Leland | 1229-U-1009 | L152 | Leland | 1259-Q-251 |
| L1354 | Flagg | R002304 | L1520 | Leland | R005798 |
| L1354 | Leland | R002304 | L1521 | Leland | R005799 |
| L1355 | Leland | 1227-W-517 | L1523 | Leland | R007016 |
| L1355 | Flagg | R002303 | L1525 | Leland | R005800 |
| L1355 | Leland | R002303 | L1526 | Leland | R005947 |
| L1356 | Leland | 1227-P-328 | L1527 | Leland | R005751 |
| L1356 | Leland | R617001 | L1528 | Leland | R004953 |
| L1356 | Leland | R617003 | L1529 | Leland | R005872 |
| L1357 | Leland | 1229-V-48 | L1530 | Leland | R005955 |
| L1358 | Leland | 1227-A-547 | L1531 | Leland | R004960 |
| L136 | Leland | 1225-N-352 | L1531 | Leland | R005802 |
| L1360 | Leland | R002461 | L1532 | Leland | R005887 |
| L1361 | Leland | 1227-M-715 | L1532 | Leland | R005944 |
| L1361 | Leland | R002462 | L1533 | Leland | 2297-T-7222 |
| L1362 | Leland | R002463 | L1534 | Leland | R517006 |
| L1363 | Leland | R002464 | L1535 | Leland | R577001 |
| L1364 | Leland | R002465 | L1536 | Leland | R617003 |
| L1365 | Leland | R002466 | L1537 | Leland | 3105-B-210 |
| L1366 | Leland | R002467 | L1539 | Leland | R005951 |
| L1367 | Flagg | R002468 | L158 | Leland | 1779-D-82 |
| L1367 | Leland | R002468 | L1585 | Leland | R537001 |
| L1368 | Leland | R537001 | L1588 | Leland | R517508 |
| L137 | Leland | 1229-Z-1118 | L1594 | Leland | R627009 |
| L1371 | Leland | R627025 | L1597 | Leland | R617005 |
| L1372 | Leland | R627024 | L1598 | Leland | R617006 |
| L1373 | Leland | R577001 | L1602 | Leland | R700008 |
| L1378 | Leland | R824012 | L1603 | Leland | R567017 |
| L1383 | Leland | 2258-S-643 | L1605 | Leland | R700001 |
| L1384 | Leland | R607023 | L1606 | Leland | R627012 |
| L1385 | Leland | R607024 | L1608 | Leland | R627006 |
| L1395 | Leland | R002550 | L1609 | Leland | R627005 |
| L1412 | Leland | R607091 | L1610 | Leland | 1229-T-4102 |
| L1413 | Leland | R607092 | L1611 | Leland | R627015 |
| L1416 | Leland | 1259-N-274 | L1612 | Leland | R627002 |
| L1417 | Leland | 2258-Q-615 | L1616 | Leland | R517004 |
| L1418 | Leland | 2258-U-619 | L1617 | Leland | R607025 |
| L1476 | Leland | 2210-S-8157 | L1618 | Leland | R607026 |
| L1477 | Leland | 2210-T-8158 | L1619 | Leland | R607029 |
| L1478 | Leland | A-3222-S-1293 | L1620 | Leland | R607030 |
| L1478 | Leland | A91-3222-S-1293 | L1625 | Leland | R567028 |
| L1481 | Leland | A1-3222-R-1916 | L1627 | Leland | R527003 |
| L149 | Leland | 2297-T-7222 | L1628 | Leland | R607021 |
| L1498 | Leland | 1225-B-496 | L1629 | Leland | R607022 |
| L1499 | Leland | A-21705-M-221 | L1631 | Leland | R607035 |
| L1503 | Leland | R002437 | L1632 | Leland | R607036 |
| L1504 | Leland | R002433 | L1633 | Leland | 1229-E-811 |
| L1505 | Leland | R002437 | L1641 | Leland | 1225-X-804 |
| L1506 | Leland | R002438 | L1643 | Leland | A-3722-B-80 |
| L1507 | Leland | R002436 | L1644 | Leland | A-3722-D-82 |
| L1508 | Leland | R002340 | L1646 | Leland | 1199-U-3765 |
| L1509 | Leland | R002435 | L1648 | Leland | R823003 |
| L151 | Leland | 1718-Y-103 | L1648 | Leland | R824004 |
| L1511 | Leland | R002431 | L1650 | Leland | 2758-W-127 |

CROSS REFERENCE

| PART# | COMPETITOR | MERITOR# | PART# | COMPETITOR | MERITOR# |
|-------|------------|---------------|-------|----------------|----------------|
| L1653 | Leland | R607067 | L177 | Flagg | R000573 |
| L1654 | Leland | R607068 | L177 | Leland | R000573 |
| L1655 | Leland | R607069 | L1770 | Leland | R627018 |
| L1656 | Leland | R607070 | L1770 | Leland | R627018 |
| L1657 | Leland | 2210-U-8159 | L178 | Flagg | R000572 |
| L1658 | Leland | 2210-V-8160 | L178 | Leland | R000572 |
| L166 | Leland | 1225-L-1208 | L1782 | Leland | R567011 |
| L1661 | Leland | 1205-R-746 | L1784 | Leland | 1259-N-1132 |
| L1662 | Leland | 1205-G-761 | L1785 | Leland | 1707-B-2 |
| L1669 | Leland | R547018 | L179 | Leland | 2258-P-354 |
| L1671 | Leland | 1829-P-198 | L1790 | Leland | R002307 |
| L1674 | Leland | 1829-P-198 | L1791 | Leland | R002434 |
| L1676 | Leland | R700455 | L182X | Leland | R547030 |
| L1681 | Leland | R627028 | L183 | Leland | R570005 |
| L1684 | Leland | 2210-E-5725 | L1893 | Leland | R001561 |
| L1685 | Leland | 2210-F-5726 | L1902 | Leland | R001902 |
| L1685 | Leland | R607028 | L1905 | Leland | R001905 |
| L1687 | Leland | R627026 | L192 | Leland | 1229-Q-771 |
| L1689 | Leland | R704595 | L193 | Leland | 1229-Q-771 |
| L1691 | Leland | 1199-G-3725 | L193 | Leland | 1229-R-122 |
| L1695 | Leland | R567002 | L196 | Leland | R823000 |
| L1696 | Leland | R517002 | L202 | Leland | 1229-G-1463 |
| L1697 | Leland | R527001 | L203 | Leland | R627022 |
| L1706 | Leland | R670023 | L2035 | Leland | R4311 |
| L1710 | Leland | R670014 | L2047 | Leland | R4551Q |
| L1711 | Leland | R617008 | L2048 | Leland | A-3222-D-1356 |
| L1717 | Leland | 1779-C-81 | L2088 | Leland | A2-3105-G-1151 |
| L1718 | Leland | R630002 | L2089 | Leland | R607033 |
| L1719 | Leland | R627001 | L2090 | Leland | R607034 |
| L1724 | Leland | 1229-E-811 | L2094 | Leland | R005801 |
| L1726 | Leland | A-1205-V-1556 | L2098 | Leland | 2258-U-619 |
| L1727 | Leland | 1225-L-1208 | L2099 | Leland | 1227-B-678 |
| L1727 | Leland | R617001 | L210 | Leland | 1229-G-709 |
| L1728 | Leland | A-1205-V-1556 | L219 | Leland | R00632 |
| L1729 | Leland | 1205-X-726 | L224 | Leland | 2210-Z-6318 |
| L173 | Leland | R607081 | L225 | Leland | 2210-A-6319 |
| L1730 | Leland | 1225-R-1058 | L228 | Leland | R607037 |
| L1732 | Leland | A-3222-K-1103 | L228 | Leland | R607038 |
| L1733 | Leland | A-3222-F-1072 | L228 | Leland | R607050 |
| L1734 | Leland | 2258-G-579 | L229 | Eaton Top Spec | R607038 |
| L1736 | Leland | 1259-B-262 | L229 | Leland | R607037 |
| L1737 | Leland | 2210-G-6845 | L229 | Leland | R607038 |
| L1738 | Leland | 2210-F-6844 | L229 | Leland | R607049 |
| L174 | Leland | R607082 | L232 | Leland | 2210-Z-5408 |
| L1743 | Leland | 1229-B-236 | L2338 | Leland | 2210-V-7536 |
| L1744 | Leland | A-1205-P-1602 | L2339 | Leland | 2210-W-7537 |
| L1746 | Leland | 1225-M-897 | L234 | Leland | 2210-X-6316 |
| L1747 | Leland | 1229-Q-277 | L2340 | Leland | 2210-H-7522 |
| L1748 | Leland | 1107-D-56 | L2341 | Leland | 2210-J-7524 |
| L1751 | Leland | 1229-V-1556 | L2342 | Leland | 2210-H-7626 |
| L1752 | Leland | N-1121 | L2343 | Leland | 2210-J-7628 |
| L1752 | Leland | R005964 | L2346 | Leland | A-3222-V-2466 |
| L1753 | Leland | 1229-P-302 | L2347 | Leland | 2210-D-6166 |
| L1758 | Leland | 1229-B-2498 | L2348 | Leland | 2210-C-6165 |
| L176 | Flagg | R000540 | L2349 | Leland | A-3275-J-686 |
| L176 | Leland | R000540 | L235 | Leland | 2210-Y-6317 |
| L1760 | Leland | A-3222-P-1082 | L2351 | Leland | 2258-B-704 |
| L1762 | Leland | R001559 | L2352 | Leland | 2297-C-5021 |
| L1766 | Leland | 1225-G-631 | L2353 | Leland | 1246-F-1020 |
| L1768 | Leland | 1205-N-924 | L2354 | Leland | A-3222-C-1381 |
| L1769 | Leland | R670024 | L2355 | Leland | A-3222-E-1383 |

CROSS REFERENCE

| PART# | COMPETITOR | MERITOR# | PART# | COMPETITOR | MERITOR# |
|-------|------------|---------------|-------|------------|-----------------|
| L2356 | Leland | 2210-H-2946 | L2493 | Leland | R823001 |
| L2357 | Leland | 2210-J-2948 | L2494 | Leland | R824009 |
| L2360 | Leland | R700346 | L250 | Leland | R517006 |
| L2363 | Leland | R704516 | L251 | Leland | R517509 |
| L2364 | Leland | R537005 | L2587 | Leland | R004870 |
| L2366 | Leland | R700011 | L2589 | Leland | R004868 |
| L2367 | Leland | R547011 | L2592 | Leland | R004855 |
| L2368 | Leland | R547010 | L2593 | Flagg | R004871 |
| L2370 | Leland | 2258-W-803 | L2593 | Leland | R004871 |
| L2373 | Leland | R003508 | L2599 | Flagg | R004857 |
| L2374 | Leland | R003507 | L260 | Leland | 1779-J-114 |
| L2375 | Leland | R003505 | L2600 | Flagg | R004881 |
| L2376 | Leland | R003504 | L2600 | Leland | R004881 |
| L2377 | Leland | R003509 | L2602 | Leland | R004876 |
| L2378 | Leland | R003506 | L2604 | Flagg | R004877 |
| L2379 | Leland | R607264 | L261 | Leland | R607063 |
| L2380 | Leland | R607263 | L261 | Leland | R607083 |
| L2382 | Leland | R617005 | L2613 | Leland | R004860 |
| L2387 | Leland | R630005 | L2614 | Leland | R004861 |
| L2400 | Leland | A-3722-D-82 | L2615 | Leland | R004869 |
| L2401 | Leland | 2210-G-5389 | L262 | Leland | R607064 |
| L2402 | Leland | 2210-H-5390 | L262 | Leland | R607084 |
| L2409 | Leland | R700322 | L2622 | Leland | R004879 |
| L2410 | Leland | R700427 | L266 | Leland | R617001 |
| L2411 | Leland | R700442 | L2712 | Leland | R630006 |
| L2435 | Leland | A-3222-N-1496 | L273 | Leland | 1205-L-272 |
| L2438 | Leland | R607093 | L278 | Leland | A25-3222-D-1954 |
| L2439 | Leland | R607094 | L2796 | Leland | R607192 |
| L2440 | Leland | R607031 | L2797 | Leland | R607191 |
| L2441 | Leland | R607032 | L2804 | Leland | R700458 |
| L2446 | Leland | R607087 | L2808 | Leland | R1308E |
| L2447 | Leland | R607088 | L2811 | Leland | 1199-G-3725 |
| L2448 | Leland | R607079 | L2820 | Leland | 2210-R-4906 |
| L2449 | Leland | R607080 | L2821 | Leland | 2210-Q-4905 |
| L2450 | Leland | R607073 | L2825 | Leland | R567501 |
| L2450 | Leland | R607073S | L2829 | Leland | R567009 |
| L2451 | Leland | R607074 | L2830 | Leland | R627030 |
| L2452 | Leland | R607098 | L2831 | Leland | R627029 |
| L2453 | Leland | R607097 | L2832 | Leland | R627031 |
| L2454 | Leland | R607077 | L2833 | Leland | R627032 |
| L2455 | Leland | R607078 | L2843 | Leland | 2258-Y-1273 |
| L2456 | Leland | R607095 | L2846 | Leland | 2210-V-7614 |
| L2457 | Leland | R607096 | L2847 | Leland | 2210-W-7615 |
| L2460 | Leland | 2210-B-5410 | L2854 | Leland | A2-3105-G-1151 |
| L2461 | Leland | 2210-A-5409 | L2856 | Leland | 2258-E-629 |
| L2465 | Leland | 2210-E-5803 | L2856 | Leland | 2258-H-580 |
| L2466 | Leland | R607045 | L2858 | Leland | 2258-R-590 |
| L2467 | Leland | R607046 | L2859 | Leland | 1218-C-107 |
| L2469 | Leland | R607239 | L2868 | Leland | 2210-X-7408 |
| L2472 | Leland | R607242 | L2869 | Leland | 2210-Y-7409 |
| L2473 | Leland | R607241 | L2870 | Leland | 2210-P-7426 |
| L2476 | Leland | R607244 | L2871 | Leland | 2210-Q-7427 |
| L2477 | Leland | R607243 | L2872 | Leland | 2210-D-7492 |
| L2480 | Leland | R607037 | L2873 | Leland | 2210-E-7493 |
| L2480 | Leland | R607038 | L2874 | Leland | 2210-T-7456 |
| L2481 | Leland | R607037 | L2875 | Leland | 2210-U-7457 |
| L2481 | Leland | R607038 | L2876 | Leland | 2210-Z-7514 |
| L2484 | Leland | R607150 | L2877 | Leland | 2210-A-7515 |
| L2485 | Leland | R607149 | L2878 | Leland | 2210-H-7522 |
| L2488 | Leland | R607148 | L2879 | Leland | 2210-J-7524 |
| L2489 | Leland | R607147 | L2880 | Leland | 2210-B-7568 |

CROSS REFERENCE

| PART# | COMPETITOR | MERITOR# | PART# | COMPETITOR | MERITOR# |
|-------|------------|---------------|-------|------------|-----------------|
| L2881 | Leland | 2210-C-7569 | L2975 | Leland | R607105 |
| L2882 | Leland | 2210-T-7586 | L2976 | Leland | R607154 |
| L2883 | Leland | 2210-U-7587 | L2977 | Leland | R607153 |
| L2884 | Leland | 2210-B-7594 | L2981 | Leland | R4709 |
| L2885 | Leland | 2210-C-7595 | L2982 | Leland | R700013 |
| L2886 | Leland | 2210-K-7603 | L2985 | Leland | R567028 |
| L2887 | Leland | 2210-L-7604 | L2992 | Leland | R700014 |
| L2888 | Leland | 2210-K-7837 | L3011 | Leland | A19-3222-D-2006 |
| L2889 | Leland | 2210-L-7838 | L3011 | Leland | A-3222-D-2006 |
| L2890 | Leland | 2210-Z-7644 | L3014 | Leland | R700015 |
| L2891 | Leland | 2210-A-7645 | L3015 | Leland | R700016 |
| L2897 | Leland | R607170 | L3016 | Leland | R700017 |
| L2898 | Leland | R607169 | L3017 | Leland | R700019 |
| L2900 | Leland | 1229-Q-2851 | L3020 | Leland | R4515F3 |
| L2908 | Leland | R607212 | L3026 | Leland | R607047 |
| L2909 | Leland | R607211 | L3027 | Leland | R607048 |
| L2910 | Leland | R607216 | L3028 | Leland | 2258-H-580 |
| L2911 | Leland | R607215 | L3029 | Leland | 1225-L-1208 |
| L2912 | Leland | R607218 | L303 | Leland | 1225-U-151 |
| L2915 | Leland | R607207 | L3030 | Leland | R607180 |
| L2917 | Leland | R700007 | L3031 | Leland | R607179 |
| L2918 | Leland | R700011 | L3032 | Leland | R547028 |
| L2919 | Leland | R607204 | L3033 | Leland | A-3105-L-1078 |
| L2920 | Leland | R607203 | L3034 | Leland | 2210-B-7542 |
| L2926 | Leland | 1229-L-844 | L3035 | Leland | 2210-C-7543 |
| L2927 | Leland | 1229-N-2250 | L3036 | Leland | 2210-G-6169 |
| L2928 | Leland | 1229-S-2697 | L3036 | Leland | 2210-H-6170 |
| L2929 | Leland | A-3222-F-1982 | L3037 | Leland | 2210-G-6169 |
| L2930 | Leland | 1259-X-1012 | L3037 | Leland | 2210-H-6170 |
| L2931 | Leland | 2258-K-1181 | L3038 | Leland | 2210-L-7396 |
| L2932 | Leland | 2258-E-1123 | L3039 | Leland | 2210-K-7395 |
| L2933 | Leland | 1229-V-1504 | L304 | Leland | R547029 |
| L2938 | Leland | A-1205-D-2110 | L3041 | Leland | 1229-E-4685 |
| L2939 | Leland | 1225-R-1136 | L3042 | Leland | A-3105-L-1078 |
| L294 | Leland | 1779-C-81 | L3043 | Leland | KIT-8289 |
| L2940 | Leland | 1229-J-4092 | L3044 | Leland | R607184 |
| L2941 | Leland | 1205-Q-2123 | L3045 | Leland | R607183 |
| L2942 | Leland | 1225-N-1158 | L3046 | Leland | R607198 |
| L2944 | Leland | 1229-C-4137 | L3047 | Leland | R607197 |
| L2945 | Leland | 1229-A-4135 | L3050 | Leland | 2210-P-7582 |
| L2946 | Leland | R004961A | L3051 | Leland | 2210-Q-7583 |
| L2947 | Leland | 1229-X-3118 | L3053 | Leland | 3280-Y-8189 |
| L2948 | Leland | R607056 | L3055 | Leland | A-3280-V-8186 |
| L2949 | Leland | R607055 | L3056 | Leland | 1205-G-761 |
| L2950 | Leland | A-3222-J-1440 | L3057 | Leland | 1229-R-4100 |
| L2952 | Leland | 1259-V-308 | L3058 | Leland | 1229-S-4101 |
| L2954 | Leland | 2247-X-128 | L3067 | Leland | 2258-U-619 |
| L2957 | Leland | R007224 | L3068 | Leland | 1229-B-4136 |
| L2958 | Leland | R005742 | L3069 | Leland | 2258-L-1234 |
| L2959 | Leland | SC1026 | L3072 | Leland | R607182 |
| L2959 | Leland | R005949 | L3073 | Leland | R607181 |
| L2960 | Leland | R517510 | L3076 | Leland | R607152 |
| L2961 | Leland | 1718-Y-103 | L3077 | Leland | R607151 |
| L2963 | Leland | R627033 | L3078 | Leland | R607156 |
| L2966 | Leland | R607110 | L3078 | Leland | R607280 |
| L2967 | Leland | R607109 | L3079 | Leland | R607155 |
| L2968 | Leland | R607108 | L3079 | Leland | R607279 |
| L2969 | Leland | R607107 | L3082 | Leland | 2210-X-6732 |
| L2970 | Leland | R607112 | L3083 | Leland | 2210-W-6731 |
| L2971 | Leland | R607111 | L3084 | Leland | 2210-D-6738 |
| L2974 | Leland | R607106 | L3085 | Leland | 2210-C-6737 |

CROSS REFERENCE

| PART# | COMPETITOR | MERITOR# | PART# | COMPETITOR | MERITOR# |
|-------|------------|---------------|-------|------------|---------------|
| L3088 | Leland | 2210-N-7450 | L3200 | Leland | R607116 |
| L3089 | Leland | 2210-M-7449 | L3201 | Leland | R607115 |
| L3090 | Leland | 2210-T-7482 | L3202 | Leland | R607114 |
| L3091 | Leland | 2210-U-7483 | L3203 | Leland | R607113 |
| L3092 | Leland | 2210-D-7492 | L3207 | Leland | R700020 |
| L3093 | Leland | 2210-E-7493 | L3208 | Leland | R547026 |
| L3094 | Leland | 2210-K-7499 | L3210 | Leland | R006138 |
| L3095 | Leland | 2210-L-7500 | L3211 | Leland | 1227-V-464 |
| L3096 | Leland | 2210-H-7522 | L3212 | Flagg | R006141 |
| L3097 | Leland | 2210-J-7524 | L3213 | Leland | A-1229-W-2545 |
| L3098 | Leland | 2210-V-7536 | L3214 | Leland | 1227-R-1240 |
| L3099 | Leland | 2210-W-7537 | L3215 | Leland | 1229-B-3122 |
| L3100 | Leland | 2210-B-7594 | L3216 | Leland | 1229-Y-3119 |
| L3101 | Leland | 2210-C-7595 | L3221 | Leland | 1227-K-1389 |
| L3102 | Leland | 2210-K-7603 | L3222 | Leland | 1229-H-4584 |
| L3103 | Leland | 2210-L-7604 | L3223 | Leland | 1227-B-1484 |
| L3104 | Leland | 2210-K-7837 | L3224 | Leland | A-3105-K-219 |
| L3105 | Leland | 2210-L-7838 | L3225 | Leland | R825020 |
| L3106 | Leland | 2210-H-7626 | L324 | Leland | 1218-G-85 |
| L3107 | Leland | 2210-J-7628 | L3240 | Leland | R607196 |
| L3108 | Leland | 2210-H-7652 | L3241 | Leland | R607195 |
| L3109 | Leland | 2210-J-7654 | L3246 | Leland | 2210-A-7515 |
| L3110 | Leland | 2210-Z-7670 | L3247 | Leland | 2210-Z-7514 |
| L3111 | Leland | 2210-A-7671 | L3248 | Leland | R607119 |
| L3112 | Leland | 2210-B-6866 | L3248 | Leland | R607124 |
| L3113 | Leland | 2210-C-6867 | L3249 | Leland | R607123 |
| L3114 | Leland | 2210-F-6870 | L3249 | Leland | R607124 |
| L3115 | Leland | 2210-G-6871 | L3254 | Leland | R607248 |
| L3116 | Leland | 2210-D-6868 | L3260 | Leland | R607250 |
| L3117 | Leland | 2210-E-6869 | L3261 | Leland | R607249 |
| L3124 | Leland | R607238 | L3264 | Leland | R607252 |
| L3125 | Leland | R607237 | L3265 | Leland | R607251 |
| L3126 | Leland | 2258-Y-1273 | L3268 | Leland | R607270 |
| L3127 | Leland | R627034 | L3269 | Leland | R607269 |
| L3130 | Leland | R607212 | L3272 | Leland | R607272 |
| L3131 | Leland | R607211 | L3273 | Leland | R607271 |
| L3133 | Leland | R607207 | L3274 | Leland | R607276 |
| L3134 | Leland | R607216 | L3275 | Leland | R607275 |
| L3135 | Leland | R607215 | L3276 | Leland | R607274 |
| L3140 | Leland | R607204 | L3277 | Leland | R607273 |
| L3141 | Leland | R607203 | L328 | Leland | R607319 |
| L3142 | Leland | R607218 | L3282 | Leland | R607228 |
| L3144 | Leland | R607104 | L3283 | Leland | R607227 |
| L3145 | Leland | R607103 | L3284 | Leland | R607318 |
| L3146 | Leland | R617015 | L3285 | Leland | R607317 |
| L3148 | Leland | R567005 | L3286 | Leland | R607230 |
| L3160 | Leland | R009095 | L3287 | Leland | R607229 |
| L3170 | Leland | R607254 | L3288 | Leland | R607232 |
| L3171 | Leland | R607253 | L3289 | Leland | R607231 |
| L3172 | Leland | R700022 | L329 | Leland | A-1205-V-1556 |
| L3173 | Leland | R567012 | L3290 | Leland | R607178 |
| L3174 | Leland | R700018 | L3291 | Leland | R607177 |
| L3182 | Leland | A1-3236A-1249 | L3292 | Leland | R607174 |
| L3183 | Leland | 2258-S-643 | L3293 | Leland | R607173 |
| L3192 | Leland | R607117 | L3294 | Leland | R607156 |
| L3192 | Leland | R607120 | L3295 | Leland | R607155 |
| L3193 | Leland | R607119 | L330 | Leland | 1225-R-512 |
| L3193 | Leland | R607120 | L3300 | Leland | R607281 |
| L3194 | Leland | R607118 | L3301 | Leland | R607282 |
| L3195 | Leland | R607117 | L3302 | Leland | R607202 |
| L3195 | Leland | R607118 | L3304 | Leland | R607214 |

CROSS REFERENCE

| PART# | COMPETITOR | MERITOR# | PART# | COMPETITOR | MERITOR# |
|-------|------------|-------------|-------|------------|---------------|
| L3305 | Leland | R607213 | L3403 | Leland | 2210-U-7587 |
| L3306 | Leland | R607224 | L3406 | Leland | R607234 |
| L3307 | Leland | R607223 | L3407 | Leland | R607233 |
| L331 | Leland | 1229-D-2942 | L3414 | Leland | 2210-A-7515 |
| L3310 | Leland | R607200 | L3415 | Leland | 2210-Z-7514 |
| L3311 | Leland | R607199 | L3416 | Leland | 2210-T-7456 |
| L3312 | Leland | 2210-R-6726 | L3417 | Leland | 2210-U-7457 |
| L3314 | Leland | R607164 | L3418 | Leland | 2210-K-7551 |
| L3315 | Leland | R607163 | L3419 | Leland | 2210-L-7552 |
| L3318 | Leland | R607161 | L3437 | Leland | 2210-Y-7409 |
| L3319 | Leland | R607161 | L344 | Leland | 1229-M-559 |
| L3319 | Leland | R607162 | L344 | Leland | R627011 |
| L3320 | Leland | R607278 | L3444 | Leland | R607326 |
| L3321 | Leland | R607277 | L3445 | Leland | R607325 |
| L3322 | Leland | 2210-G-6845 | L346 | Leland | R615009 |
| L3323 | Leland | 2210-F-6844 | L3482 | Leland | 2210-B-7568 |
| L3324 | Leland | 2210-W-6861 | L3483 | Leland | 2210-C-7569 |
| L3325 | Leland | 2210-V-6860 | L3488 | Leland | R607292 |
| L3326 | Leland | 2210-N-6852 | L3489 | Leland | R607291 |
| L3327 | Leland | 2210-M-6851 | L3490 | Leland | 2210-K-7473 |
| L333 | Leland | R547031 | L3491 | Leland | 2210-L-7474 |
| L3330 | Leland | 2210-R-7688 | L3492 | Leland | 2210-U-7535 |
| L3331 | Leland | 2210-S-7689 | L3493 | Leland | 2210-T-7534 |
| L3334 | Leland | 2210-Z-7670 | L3496 | Leland | R607148 |
| L3335 | Leland | 2210-A-7671 | L3497 | Leland | R607147 |
| L3338 | Leland | 2210-A-7645 | L3546 | Leland | R607290 |
| L3339 | Leland | 2210-Z-7644 | L3547 | Leland | R607289 |
| L334 | Leland | R547032 | L3548 | Leland | R607298 |
| L3340 | Leland | 2210-V-7692 | L3549 | Leland | R607297 |
| L3341 | Leland | 2210-W-7693 | L3550 | Leland | R607286 |
| L3342 | Leland | 2210-R-7454 | L3551 | Leland | R607285 |
| L3343 | Leland | 2210-S-7455 | L3554 | Leland | R607274 |
| L3344 | Leland | 2210-M-7683 | L3555 | Leland | R607273 |
| L3345 | Leland | 2210-N-7684 | L3574 | Leland | 2210-B-7542 |
| L3346 | Leland | 2210-F-6168 | L3575 | Leland | 2210-C-7543 |
| L3347 | Leland | 2210-E-6167 | L3578 | Leland | 2210-E-6843 |
| L3348 | Leland | 2210-R-7428 | L3579 | Leland | 2210-D-6842 |
| L3349 | Leland | 2210-S-7429 | L3598 | Leland | R607186 |
| L3350 | Leland | 2210-P-7426 | L3599 | Leland | R607185 |
| L3351 | Leland | 2210-Q-7427 | L3601 | Leland | R607295 |
| L3354 | Leland | R700029 | L3630 | Leland | R607322 |
| L3355 | Leland | R700030 | L3631 | Leland | R607321 |
| L3357 | Leland | R700031 | L375 | Leland | R567023 |
| L3363 | Leland | 1229-E-4685 | L383 | Leland | R567007 |
| L3364 | Leland | 1229-T-4102 | L385 | Leland | 2258-V-256 |
| L3369 | Leland | R567505 | L386 | Leland | 2210-H-2946 |
| L3369 | Leland | R567505 | L389 | Leland | R617003 |
| L3373 | Leland | R567507 | L392 | Leland | A-3722-L-64 |
| L3376 | Leland | R607226 | L393 | Leland | A-3722-N-66 |
| L3377 | Leland | R607225 | L395 | Leland | A-3222-A-1717 |
| L3378 | Leland | R607320 | L397 | Leland | 1229-X-1116 |
| L3379 | Leland | R607319 | L402 | Leland | R657001 |
| L3380 | Leland | R607176 | L417 | Leland | R567011 |
| L3381 | Leland | R607175 | L426 | Leland | R517009 |
| L3392 | Leland | R607236 | L428 | Leland | R517010 |
| L3393 | Leland | R607235 | L429 | Leland | R517011 |
| L3398 | Leland | 2210-F-7442 | L430 | Leland | 1779-L-116 |
| L3399 | Leland | 2210-G-7443 | L440 | Leland | R547015 |
| L3400 | Leland | R607284 | L445 | Leland | R547013 |
| L3401 | Leland | R607283 | L467 | Leland | R627014 |
| L3402 | Leland | 2210-T-7586 | L470 | Leland | 1259-L-194 |

CROSS REFERENCE

| PART# | COMPETITOR | MERITOR# | PART# | COMPETITOR | MERITOR# |
|-------|------------|---------------|----------|-------------|----------------|
| L507 | Leland | R607075 | L913 | Leland | A2-3105-G-1151 |
| L508 | Leland | R607076 | L966 | Leland | R627008 |
| L556 | Leland | A1-3236A-1249 | L967 | Leland | R567502 |
| L559 | Leland | R823005 | L968 | Leland | 2758-Q-43 |
| L562 | Leland | R823000 | L973 | Leland | R670028 |
| L566 | Leland | 1225-X-440 | L985 | Leland | A-2247-D-1018 |
| L573 | Leland | 2258-J-1440 | LB1 | Sirco Brake | R507015 |
| L574 | Leland | 2258-J-400 | LB10 | Sirco Brake | R507092 |
| L579 | Leland | 2258-E-629 | LB11 | Sirco Brake | R507093 |
| L579 | Leland | 2258-H-580 | LB2 | Sirco Brake | R507074 |
| L580 | Leland | R607001 | LB3 | Sirco Brake | KIT-8004 |
| L581 | Leland | R607002 | LB3 | Sirco Brake | R508004 |
| L726 | Leland | R700003 | LB3D | Sirco Brake | R507095 |
| L727 | Leland | R700002 | LB4 | Sirco Brake | R507000 |
| L733 | Leland | R607009 | LB5 | Sirco Brake | R507005 |
| L734 | Leland | R607010 | LB6 | Sirco Brake | R507076 |
| L735 | Leland | R607007 | LB7 | Sirco Brake | R507078 |
| L736 | Leland | R607008 | LB8 | Sirco Brake | R507090 |
| L738 | Leland | A1-3236A-1249 | LB9 | Sirco Brake | R507088 |
| L752 | Leland | R000943 | LN105 | Automann | R004961A |
| L754 | Leland | 1259-B-262 | LW57 | Leland | R001011L |
| L755 | Leland | 3280-Y-8189 | M1 | BWP | R005570 |
| L755 | Leland | A-1779-M-195 | M1005 | BWP | R517506 |
| L756 | Leland | 2257-M-1001 | M1009 | BWP | R567005 |
| L760 | Leland | 1205-B-2004 | M1011 | BWP | 2758-Q-43 |
| L762 | Leland | A-3280-V-8186 | M1012 | BWP | 2258-E-629 |
| L764 | Leland | 1227-E-1487 | M1012 | BWP | 2258-H-580 |
| L768 | Leland | 1779-A-339 | M1013 | BWP | 2758-W-127 |
| L769 | Leland | 1779-H-320 | M1014 | BWP | R567006 |
| L773 | Leland | A-2247-D-1018 | M1015L | BWP | R607032 |
| L781 | Leland | 2297-Z-5330 | M1015R | BWP | R607031 |
| L782 | Leland | 2297-Y-5329 | M1019 | BWP | 2258-W-465 |
| L785 | Leland | R4311 | M102 | BWP | R004988R |
| L787 | Leland | A-3222-S-2021 | M103 | BWP | R004988L |
| L788 | Leland | 1259-M-1131 | M1037 | BWP | R670014 |
| L827 | Leland | 2258-Z-416 | M1038 | BWP | R670027 |
| L835 | Leland | R567006 | M104 | BWP | R005588R |
| L838 | Leland | R607011 | M1041 | BWP | R670028 |
| L839 | Leland | R607012 | M1045 | BWP | R627002 |
| L840 | Leland | 1227-Z-676 | M1046 | BWP | R627017 |
| L840 | Leland | R001251 | M1047 | BWP | R617007 |
| L841 | Leland | R823008 | M1049 | BWP | R657003 |
| L842 | Leland | 1227-B-678 | M105 | BWP | R005588L |
| L845 | Leland | R823001 | M1051 | BWP | R001561 |
| L845 | Leland | R824001 | M1054 | BWP | R517002 |
| L888 | Leland | 1225-B-496 | M1055 | BWP | R527001 |
| L889 | Leland | 1229-B-1848 | M1056 | BWP | R567002 |
| L889 | Leland | 1229-G-2971 | M1058 | BWP | R617009 |
| L893 | Flagg | R001561 | M1064 | BWP | R823001 |
| L893 | Leland | R001561 | M1064 | BWP | R824001 |
| L894 | Leland | R527002 | M1068 | BWP | R002237 |
| L895 | Leland | R627002 | M1069 | BWP | R001559 |
| L896 | Leland | R657003 | M1072 | BWP | A-2247-D-1018 |
| L897 | Leland | 1229-D-3124 | M1074 | Automann | A-31705-M-221 |
| L897 | Leland | R627017 | M108 | BWP | R003723R |
| L898 | Leland | R617007 | M1082 | BWP | KIT-1129 |
| L900 | Leland | R607004 | M1082(2) | BWP | KIT-1129 |
| L901 | Leland | R607003 | M1083 | BWP | A-21705-M-221 |
| L902 | Leland | 2210-C-6399 | M109 | BWP | R003723L |
| L902 | Leland | R607041 | M1093 | BWP | 1205-X-726 |
| L903 | Leland | R607042 | M1093 | BWP | R627019 |

CROSS REFERENCE

| PART# | COMPETITOR | MERITOR# | PART# | COMPETITOR | MERITOR# |
|-----------|------------|---------------|-------|------------|-----------|
| M1094 | BWP | 1205-R-746 | M1105 | BWP | R005829G |
| M1095 | BWP | 1205-G-761 | M1106 | BWP | R005721R |
| M10HD101 | Dana | R517003 | M1107 | BWP | R005721L |
| M10HH134 | Dana | A-1205-V-1556 | M1108 | BWP | R005722R |
| M10HM107 | Spicer | R008943L | M1109 | BWP | R005722L |
| M10HM108 | Spicer | R008943R | M111 | BWP | R003728L |
| M10HM140 | Spicer | R005875R | M1110 | BWP | R005756R |
| M10HM141 | Spicer | R005875L | M1111 | BWP | R005756L |
| M10HN100 | Spicer | R000573 | M1113 | BWP | R005757L |
| M10HN101 | Spicer | R000540 | M1114 | BWP | R005748R |
| M10HN102 | Spicer | R000572 | M1115 | BWP | R005748L |
| M10HN105 | Spicer | 1229-G-709 | M1116 | BWP | R005749R |
| M10HN128 | Dana | R001087 | M1117 | BWP | R005749L |
| M10HN130 | Dana | 1229-T-462 | M1118 | BWP | R005750R |
| M10HN130 | Spicer | 1229-T-462 | M1119 | BWP | R005750L |
| M10HN139 | Dana | 1229-J-868 | M1120 | BWP | R005765R |
| M10HN151 | Dana | R002237 | M1121 | BWP | R005765L |
| M10HN152 | Dana | 1229-G-1463 | M1123 | BWP | R005784G |
| M10HN153 | Dana | 1205-K-193 | M1124 | BWP | R005785G |
| M10HP102 | Spicer | 1259-M-1131 | M1125 | BWP | R005786G |
| M10HP104 | Spicer | 1259-M-1131 | M1128 | BWP | R005824 |
| M10HR101 | Dana | R547005 | M1129 | BWP | R005825 |
| M10HR102 | Dana | 1229-T-3166 | M1134 | BWP | R005747 |
| M10HR119 | Spicer | 5-X-640 | M1135 | BWP | R005837 |
| M10HR119 | Spicer | A-1205-S-1943 | M1140 | BWP | R005745G |
| M10HR119 | Spicer | R547033 | M1141 | BWP | R005827G |
| M10HS115 | Dana | R627024 | M1142 | BWP | R005828G |
| M10HS117 | Dana | R627025 | M1143 | BWP | R005760 |
| M10KY100 | Dana | R615007 | M1144 | BWP | R005761 |
| M10LK105X | Dana | R507014 | M1145 | BWP | R004963 |
| M10MH1782 | Spicer | R008946R | M1148 | BWP | R005904AG |
| M10MH1792 | Spicer | R008946L | M1150 | BWP | R005826 |
| M10WJ100 | Dana | R617008 | M1152 | BWP | R005703 |
| M10WJ107 | Dana | R617002 | M1153 | BWP | R005704 |
| M10WJ108 | Dana | R537001 | M1164 | BWP | R005713R |
| M10WJ108 | Spicer | R537001 | M1165 | BWP | R005713L |
| M10WJ115 | Spicer | R567011 | M1166 | BWP | R005714R |
| M10WJ116 | Dana | R517506 | M1167 | BWP | R005714L |
| M10WJ118 | Spicer | 2258-V-256 | M1168 | BWP | R005716R |
| M10WJ118 | Spicer | R567005 | M1169 | BWP | R005716L |
| M10WJ119 | Dana | R577001 | M1170 | BWP | R005589R |
| M10WJ135 | Spicer | 2258-P-354 | M1171 | BWP | R005589L |
| M10WJ135 | Spicer | 2258-V-256 | M1173 | BWP | R005890 |
| M10WJ135 | Spicer | 2258-Z-416 | M1176 | BWP | R005766R |
| M10WJ138 | Spicer | R577001 | M1177 | BWP | R005766L |
| M10WJ144 | Spicer | R002518A | M1183 | BWP | R005953G |
| M10WJ150 | Dana | R547011 | M12 | BWP | R005574 |
| M10WJ151 | Dana | R547010 | M1204 | BWP | R005899R |
| M10WJ155 | Dana | R567011 | M1205 | BWP | R005899L |
| M10WJ159 | Spicer | 1259-N-1132 | M1207 | BWP | R005764L |
| M10WJ159 | Spicer | 1259-R-252 | M1208 | BWP | R005870R |
| M10WJ160 | Dana | 1259-R-252 | M1209 | BWP | R005870L |
| M10WJ162 | Spicer | 1259-Q-251 | M1210 | BWP | R005869R |
| M10WJ178 | Dana | R617001 | M1211 | BWP | R005869L |
| M10WJ182 | Dana | R627022 | M1212 | BWP | R005871R |
| M10WJ183 | Spicer | R577001 | M1213 | BWP | R005871L |
| M10WJ212X | Dana | R617002 | M1214 | BWP | R005908R |
| M10WJ237X | Dana | R617015 | M1215 | BWP | R005908L |
| M10WR119 | Spicer | R823000 | M1218 | BWP | R005897R |
| M10WR119 | Spicer | R824000 | M1219 | BWP | R005897L |
| M1102 | BWP | R005706 | M1220 | BWP | R005758R |

CROSS REFERENCE

| PART# | COMPETITOR | MERITOR# | PART# | COMPETITOR | MERITOR# |
|------------|------------|-----------|-------------|-------------|----------|
| M1221 | BWP | R005758L | M12WK10119 | Dana | R607008 |
| M1222 | BWP | R005763R | M12WK10119 | Spicer | R607008 |
| M1223 | BWP | R005763L | M12WK10122 | Spicer | R607243 |
| M1226 | BWP | R008943R | M12WK10610 | Spicer | R607009 |
| M1227 | BWP | R008943L | M12WK10611 | Sirco Brake | R607007 |
| M1230 | BWP | R005875R | M12WK10611 | Spicer | R607007 |
| M1231 | BWP | R005875L | M12WK10613 | Dana | R607244 |
| M124 | BWP | R005652R | M12WK10613 | Spicer | R607244 |
| M1242 | BWP | R005904AG | M12WK1066 | Spicer | R607005 |
| M1243 | BWP | R005905AG | M12WK1071 | Dana | R607239 |
| M1244 | BWP | R005906 | M12WK1071 | Spicer | R607239 |
| M1247 | BWP | R005822 | M12WK10710 | Spicer | R607010 |
| M1248 | BWP | R005820 | M12WK10711 | Spicer | R607008 |
| M1249 | BWP | R005821G | M12WK10713 | Dana | R607243 |
| M125 | BWP | R005652L | M12WK10713 | Spicer | R607243 |
| M1250 | BWP | R005898R | M12WK1076 | Sirco Brake | R607006 |
| M1251 | BWP | R005898L | M12WK1076 | Spicer | R607006 |
| M1254 | BWP | R005892 | M12WK1076 | Spicer | R607006 |
| M1258 | BWP | R005571AG | M12WK1077 | Dana | R607241 |
| M126 | BWP | R005977R | M12WK1077 | Spicer | R607241 |
| M1263 | BWP | R005726 | M12WKL10182 | Dana | R607266 |
| M1264 | BWP | R005728 | M12WKL10182 | Spicer | R607266 |
| M1265 | BWP | R005729 | M12WKL10191 | Spicer | R607203 |
| M1266 | BWP | R009022R | M12WKL10214 | Spicer | R607207 |
| M1267 | BWP | R009022L | M12WKL10233 | Spicer | R607211 |
| M1269 | BWP | R005010 | M12WKL10233 | Spicer | R607211 |
| M127 | BWP | R005977L | M12WKL10236 | Spicer | R607213 |
| M1272 | BWP | R008946R | M12WKL10241 | Spicer | R607215 |
| M1273 | BWP | R008946L | M12WKL20214 | Spicer | R607249 |
| M1276 | BWP | R002650 | M12WKL20222 | Spicer | R607251 |
| M1278 | BWP | R008964 | M12WKL20233 | Spicer | R607253 |
| M1279 | BWP | R008965 | M12WKL25206 | Dana | R607269 |
| M128 | BWP | R007895R | M12WKL25206 | Spicer | R607269 |
| M1282 | BWP | R005885G | M12WKL25214 | Dana | R607271 |
| M1285 | BWP | R005018 | M12WKL25214 | Spicer | R607271 |
| M1288 | BWP | R005987R | M12WKL25233 | Dana | R607273 |
| M1289 | BWP | R005987L | M12WKL25233 | Spicer | R607273 |
| M129 | BWP | R007895L | M12WKL25241 | Dana | R607275 |
| M1290 | BWP | R005909R | M12WKL25241 | Spicer | R607275 |
| M1291 | BWP | R005909L | M12WKR10163 | Spicer | R607202 |
| M1292 | BWP | R005908R | M12WKR10191 | Spicer | R607204 |
| M1293 | BWP | R005908L | M12WKR10233 | Spicer | R607212 |
| M1294 | BWP | R005907R | M12WKR10236 | Spicer | R607214 |
| M1295 | BWP | R005907L | M12WKR10241 | Spicer | R607216 |
| M12KY100 | Dana | R615001 | M12WKR10264 | Spicer | R607218 |
| M12KY101 | Spicer | R615001 | M12WKR20205 | Spicer | R607248 |
| M12KY101 | Spicer | R615010 | M12WKR20206 | Spicer | R607248 |
| M12KY202 | Spicer | R615001 | M12WKR20214 | Spicer | R607250 |
| M12KY202 | Spicer | R615010 | M12WKR20222 | Spicer | R607252 |
| M12LK101X | Dana | R507015 | M12WKR20233 | Spicer | R607254 |
| M12WH112X | Dana | R630002 | M12WKR25206 | Dana | R607270 |
| M12WK10016 | Spicer | R607242 | M12WKR25206 | Spicer | R607270 |
| M12WK10017 | Dana | R607009 | M12WKR25214 | Dana | R607272 |
| M12WK10017 | Spicer | R607009 | M12WKR25214 | Spicer | R607272 |
| M12WK10018 | Spicer | R607168 | M12WKR25233 | Dana | R607274 |
| M12WK10019 | Spicer | R607007 | M12WKR25233 | Spicer | R607274 |
| M12WK10022 | Spicer | R607244 | M12WKR25241 | Dana | R607276 |
| M12WK10111 | Spicer | R607239 | M12WKR25241 | Spicer | R607276 |
| M12WK10116 | Spicer | R607241 | M12WL10233 | Spicer | R607212 |
| M12WK10117 | Dana | R607010 | M12WR101 | Spicer | R002091 |
| M12WK10117 | Spicer | R607010 | M12WR10233 | Spicer | R607211 |

CROSS REFERENCE

| PART# | COMPETITOR | MERITOR# | PART# | COMPETITOR | MERITOR# |
|-----------|------------|-----------------|-----------|------------|----------------|
| M12WS102 | Dana | R700003 | M1507 | BWP | 2258-V-256 |
| M12WS108 | Dana | R700002 | M1509 | BWP | 1225-U-151 |
| M12WS122X | Dana | R700005 | M1512 | BWP | 1229-D-2942 |
| M12WS127 | Dana | R704591 | M1517 | BWP | 1259-U-151 |
| M12WS129X | Dana | R700011 | M1520 | BWP | R000943 |
| M12WS149X | Dana | R700011 | M1521 | BWP | A2-3105-G-1151 |
| M12WS166X | Dana | R700028 | M1523 | BWP | 1229-X-1116 |
| M12WS173X | Dana | R700027 | M1538 | BWP | R517508 |
| M130 | BWP | R007896R | M1543 | BWP | 1779-J-114 |
| M131 | BWP | R007896L | M1544 | BWP | 1779-B-132 |
| M132 | BWP | R007897R | M1545 | BWP | 1779-D-134 |
| M133 | BWP | R007897L | M1547 | BWP | R567007 |
| M134 | BWP | R005554R | M1550 | BWP | 1225-R-1058 |
| M135 | BWP | R005554L | M1551 | BWP | 1225-R-512 |
| M136 | BWP | 3280-T-7872 | M1551 | BWP | 1225-X-336 |
| M136 | BWP | R005988R | M1554 | BWP | R630003 |
| M137 | BWP | 3280-S-7871 | M1556 | BWP | R630002 |
| M137 | BWP | R005578L | M1557 | BWP | R005734 |
| M138 | BWP | R004961A | M1558 | BWP | R577001 |
| M1381 | BWP | 1245-X-102 | M1559 | BWP | R547031 |
| M1382 | BWP | 1245-C-185 | M1561 | BWP | R547032 |
| M139 | BWP | R005008 | M1561 | Eaton | R547032 |
| M1400 | BWP | 1225-X-804 | M1563L | BWP | R607049 |
| M1401 | BWP | 1205-Q-2123 | M1563R | BWP | R607050 |
| M1402 | BWP | 1229-X-3118 | M1567R | BWP | 2210-Z-5408 |
| M1402A | BWP | 1229-X-3118 | M1570L | BWP | R607088 |
| M1403 | BWP | 1205-V-1452 | M1570L | BWP | R607090 |
| M1404 | BWP | 1225-B-834 | M1570R | BWP | R607089 |
| M1405 | BWP | 1225-A-833 | M1571L | BWP | R607016 |
| M1406 | BWP | KIT-9034 | M1571R | BWP | R607015 |
| M1408 | BWP | R627005 | M1576 | BWP | R547029 |
| M1409 | BWP | R627006 | M158 | BWP | R005682 |
| M140A | BWP | R007898R | M1582 | BWP | R547015 |
| M140B | BWP | R007898L | M1583 | BWP | 3236-A-1249 |
| M140C | BWP | R005577R | M1583 | BWP | 3236-B-1250 |
| M140D | BWP | R005577L | M1583 | BWP | A1-3236A-1249 |
| M140E | BWP | R005576R | M1586 | BWP | 1225-R-512 |
| M140F | BWP | R005576L | M1586 | BWP | 1225-X-336 |
| M140G | BWP | R006060R | M1589 | BWP | R627001 |
| M140H | BWP | R006060L | M159 | BWP | R005683 |
| M140J | BWP | R005863R | M164 | BWP | R005578R |
| M140K | BWP | R005863L | M165 | BWP | R005578L |
| M1412 | BWP | R627024 | M166 | BWP | R005579R |
| M1413 | BWP | R627025 | M167 | BWP | R005579L |
| M142 | BWP | R005708 | M16D106 | Dana | R627034 |
| M1421 | BWP | A-3222-S-1293 | M16HD100 | Spicer | 1225-R-512 |
| M1421 | BWP | A91-3222-S-1293 | M16HD100 | Spicer | 1225-X-336 |
| M1422 | BWP | 1259-N-274 | M16HD100 | Spicer | R657001 |
| M1422 | BWP | 1259-N-274-BULK | M16HD100X | Dana | R657001 |
| M1423 | BWP | 2258-Q-615 | M16HD102 | Spicer | 1225-F-266 |
| M1423 | BWP | 2258-Q-615-BULK | M16HD102 | Spicer | R570005 |
| M1424 | BWP | 2258-U-619 | M16HH100 | Spicer | 1205-M-1105 |
| M1424 | BWP | 2258-U-619-BULK | M16HH100 | Spicer | R627018 |
| M1427 | BWP | 2258-U-619 | M16KY100 | Dana | R615008 |
| M1428 | BWP | R527002 | M16LK100X | Spicer | R507015 |
| M1433 | BWP | 3105-B-210 | M16LK103X | Spicer | MKT-4515P |
| M1433 | BWP | 3105-B-210-BULK | M16WB100 | Dana | A1-3236A-1249 |
| M144 | BWP | R005710 | M16WB101 | Dana | A1-3236A-1249 |
| M145 | BWP | R005711 | M16WB101 | Spicer | A1-3236A-1249 |
| M1500 | BWP | 1218-G-85 | M16WH101X | Dana | R630003 |
| M1505 | BWP | R627014 | M16WH113X | Dana | R630003 |

CROSS REFERENCE

| PART# | COMPETITOR | MERITOR# | PART# | COMPETITOR | MERITOR# |
|------------|------------|-------------|-------------|------------|-----------------|
| M16WJ100 | Spicer | 2258-U-619 | M16WK11012 | Spicer | R607033 |
| M16WJ100 | Spicer | 2258-W-803 | M16WK1104 | Spicer | R607083 |
| M16WJ101 | Dana | 2258-Q-615 | M16WK11112 | Spicer | R607034 |
| M16WJ102 | Dana | 1218-G-85 | M16WK1114 | Spicer | R607084 |
| M16WJ103 | Dana | 1718-Y-103 | M16WK116 | Dana | R607031 |
| M16WJ104 | Spicer | 1779-B-1172 | M16WK117 | Dana | R607032 |
| M16WJ104 | Spicer | 2297-T-7222 | M16WKL10175 | Spicer | R607173 |
| M16WJ105 | Dana | 1259-N-274 | M16WKL10196 | Spicer | R607235 |
| M16WJ114 | Dana | 1779-D-82 | M16WKL10205 | Spicer | R607175 |
| M16WJ121 | Dana | R517002 | M16WKL10231 | Spicer | R607185 |
| M16WK10012 | Dana | R607033 | M16WKL10236 | Spicer | R607177 |
| M16WK10012 | Spicer | R607033 | M16WKL10242 | Spicer | R607223 |
| M16WK10210 | Spicer | R607032 | M16WKL10264 | Spicer | R607237 |
| M16WK10212 | Spicer | 2210-M-1573 | M16WKL20173 | Spicer | R607195 |
| M16WK10212 | Spicer | R607102 | M16WKL20175 | Spicer | R607179 |
| M16WK10213 | Spicer | R607084 | M16WKL20205 | Spicer | R607181 |
| M16WK10217 | Spicer | R607081 | M16WKL20231 | Spicer | R607197 |
| M16WK10217 | Spicer | R607082 | M16WKL20236 | Spicer | R607183 |
| M16WK10219 | Spicer | 2210-A-6319 | M16WKL20242 | Spicer | R607199 |
| M16WK10219 | Spicer | 2210-Z-6318 | M16WKL20271 | Spicer | R607225 |
| M16WK10223 | Dana | 2210-A-6345 | M16WKL25175 | Spicer | R607227 |
| M16WK10225 | Spicer | R607001 | M16WKL25205 | Spicer | R607229 |
| M16WK10225 | Spicer | R607002 | M16WKL25227 | Dana | R607315 |
| M16WK10226 | Dana | 2210-D-6400 | M16WKL25231 | Dana | R607317 |
| M16WK10226 | Spicer | R607042 | M16WKL25236 | Spicer | R607231 |
| M16WK10229 | Spicer | R607191 | M16WKL25242 | Dana | R607277 |
| M16WK1027 | Spicer | R607040 | M16WKL25242 | Spicer | R607277 |
| M16WK10276 | Spicer | 2210-J-2948 | M16WKL25264 | Dana | R607319 |
| M16WK10283 | Spicer | R607034 | M16WKL25271 | Spicer | R607233 |
| M16WK1029 | Dana | 2210-X-6316 | M16WKL25304 | Dana | R607321 |
| M16WK1029 | Spicer | 2210-X-6316 | M16WKR10175 | Spicer | R607174 |
| M16WK10310 | Spicer | R607031 | M16WKR10196 | Spicer | R607236 |
| M16WK10312 | Spicer | 2210-N-1574 | M16WKR10205 | Spicer | R607176 |
| M16WK10312 | Spicer | R607101 | M16WKR10231 | Spicer | R607186 |
| M16WK10313 | Dana | R607083 | M16WKR10236 | Spicer | R607178 |
| M16WK10313 | Spicer | R607083 | M16WKR10242 | Spicer | R607224 |
| M16WK10317 | Spicer | R607081 | M16WKR10264 | Spicer | R607238 |
| M16WK10317 | Spicer | R607082 | M16WKR20173 | Spicer | R607196 |
| M16WK10319 | Spicer | 2210-A-6319 | M16WKR20175 | Spicer | R607180 |
| M16WK10319 | Spicer | 2210-Z-6318 | M16WKR20205 | Spicer | R607182 |
| M16WK10323 | Dana | 2210-Z-6344 | M16WKR20231 | Spicer | R607198 |
| M16WK10325 | Spicer | R607001 | M16WKR20236 | Spicer | R607184 |
| M16WK10325 | Spicer | R607002 | M16WKR20242 | Spicer | R607200 |
| M16WK10326 | Dana | 2210-C-6399 | M16WKR20271 | Spicer | R607226 |
| M16WK10326 | Spicer | R607041 | M16WKR25175 | Spicer | R607228 |
| M16WK10329 | Spicer | R607192 | M16WKR25205 | Spicer | R607230 |
| M16WK10376 | Spicer | 2210-H-2946 | M16WKR25227 | Dana | R607316 |
| M16WK10383 | Spicer | R607033 | M16WKR25231 | Dana | R607318 |
| M16WK1039 | Dana | 2210-Y-6317 | M16WKR25236 | Spicer | R607232 |
| M16WK1039 | Spicer | 2210-Y-6317 | M16WKR25242 | Dana | R607278 |
| M16WK10410 | Spicer | R607221 | M16WKR25242 | Spicer | R607278 |
| M16WK10417 | Spicer | R607169 | M16WKR25271 | Spicer | R607234 |
| M16WK10417 | Spicer | R607170 | M16WKR25304 | Dana | R607322 |
| M16WK10423 | Spicer | R607189 | M16WLR10175 | Spicer | R607173 |
| M16WK10425 | Spicer | R607171 | M16WR100 | Dana | R823000 |
| M16WK10510 | Spicer | R607222 | M16WR1002 | Dana | R823005 |
| M16WK10517 | Spicer | R607169 | M16WR1002 | Spicer | R823005 |
| M16WK10517 | Spicer | R607170 | M16WR105 | Dana | R823000 |
| M16WK10523 | Spicer | R607190 | M16WS100X | Spicer | R700012 |
| M16WK10525 | Spicer | R607172 | M16WS103X | Spicer | A-3222-S-1293 |
| M16WK11012 | Dana | R607033 | M16WS103X | Spicer | A91-3222-S-1293 |

CROSS REFERENCE

| PART# | COMPETITOR | MERITOR# | PART# | COMPETITOR | MERITOR# |
|-----------|------------|-----------------|-------|------------|-------------|
| M16WS103X | Spicer | R4515 | M2034 | BWP | R005964 |
| M16WS132X | Spicer | A-3722-N-66 | M204 | BWP | R003040L |
| M16WS132X | Spicer | R4515P | M215 | BWP | R005032 |
| M16WS138 | Dana | A25-3222-D-1954 | M22 | BWP | R005041 |
| M16WS147X | Spicer | A-3222-X-1142 | M2201 | BWP | R003509 |
| M16WS147X | Spicer | A-3722-L-64 | M2202 | BWP | R003508 |
| M16WS148X | Dana | A-3222-A-1717 | M2203 | BWP | R003507 |
| M184 | BWP | R005632 | M2204 | BWP | 2297-T-7222 |
| M189 | BWP | R008994R | M2400 | BWP | R005988R |
| M18WS100X | Dana | R700012 | M2401 | BWP | R005988L |
| M190 | BWP | R008994L | M2402 | BWP | R005932R |
| M1902 | BWP | R001902 | M2403 | BWP | R005932L |
| M1905 | BWP | R001905 | M2404 | BWP | R005931R |
| M195 | BWP | R008992R | M2405 | BWP | R005931L |
| M1956 | BWP | R002296 | M2406 | BWP | R005929R |
| M1957 | BWP | R002298 | M2407 | BWP | R005929L |
| M1958 | BWP | R002297 | M2408 | BWP | R005933R |
| M1959 | BWP | R002299 | M2409 | BWP | R005933L |
| M196 | BWP | R008992L | M2410 | BWP | R005930R |
| M1960 | BWP | 1227-F-162 | M2411 | BWP | R005930L |
| M1961 | BWP | R002301 | M2412 | BWP | R005934R |
| M1962 | BWP | 1229-H-1568 | M2413 | BWP | R005934L |
| M1963 | BWP | KIT-1416 | M2414 | BWP | R005935R |
| M1964 | BWP | 1229-C-1693 | M2415 | BWP | R005935L |
| M1965 | BWP | 1227-D-108 | M2416 | BWP | R005936R |
| M1966 | BWP | 1229-J-478 | M2417 | BWP | R005936L |
| M1967 | BWP | 1229-H-476 | M2418 | BWP | R005937R |
| M1968 | BWP | 1227-S-1527 | M2419 | BWP | R005937L |
| M1969 | BWP | 1227-D-446 | M2420 | BWP | R005924R |
| M1969 | BWP | R002419 | M2421 | BWP | R005924L |
| M197 | BWP | R008993R | M2422 | BWP | R005916R |
| M1970 | BWP | 1229-C-1459 | M2423 | BWP | R005916L |
| M1970 | BWP | R002418 | M2424 | BWP | R005923R |
| M1971 | BWP | 1227-U-515 | M2425 | BWP | R005923L |
| M1971 | BWP | R002417 | M2427 | BWP | R005984L |
| M1973 | BWP | 1229-G-1021 | M2428 | BWP | R005868R |
| M1974 | BWP | 1227-T-540 | M2429 | BWP | R005868L |
| M1975 | BWP | 1227-H-346 | M2430 | BWP | R005982R |
| M1976 | BWP | 1229-R-1058 | M2431 | BWP | R005982L |
| M1977 | BWP | 1227-V-516 | M2432 | BWP | R005911R |
| M1978 | BWP | R002305 | M2433 | BWP | R005911L |
| M1979 | BWP | R002304 | M2434 | BWP | R005900R |
| M198 | BWP | R008993L | M2435 | BWP | R005900L |
| M1980 | BWP | R002303 | M2436 | BWP | R005910R |
| M1981 | BWP | 1227-P-328 | M2437 | BWP | R005910L |
| M1982 | BWP | 1229-V-48 | M2438 | BWP | R005896R |
| M1983 | BWP | 1227-A-547 | M2439 | BWP | R005896L |
| M1985 | BWP | R002461 | M2440 | BWP | R008999R |
| M1986 | BWP | R002462 | M2441 | BWP | R008999L |
| M1987 | BWP | R002463 | M2442 | BWP | 20-X-408Z |
| M1988 | BWP | R002464 | M2444 | BWP | R005921R |
| M1989 | BWP | R002465 | M2445 | BWP | R005921L |
| M1991 | BWP | R002467 | M2446 | BWP | R005922R |
| M1992 | BWP | R002468 | M2447 | BWP | R005922L |
| M1996 | BWP | R002550 | M2448 | BWP | R005920R |
| M1997 | BWP | R003506 | M2449 | BWP | R005920L |
| M1998 | BWP | R003505 | M2452 | BWP | R005918R |
| M1999 | BWP | R003504 | M2453 | BWP | R005918L |
| M2 | BWP | R005045 | M2458 | BWP | R002991 |
| M2006 | BWP | 1259-B-262 | M2459 | BWP | R004961A |
| M203 | BWP | R003040R | M246 | BWP | R005612R |

CROSS REFERENCE

| PART# | COMPETITOR | MERITOR# | PART# | COMPETITOR | MERITOR# |
|--------|------------|---------------|--------|------------|---------------|
| M2460 | BWP | R005902G | M2597L | BWP | 2210-C-7595 |
| M2461 | BWP | R009023G | M2597R | BWP | 2210-B-7594 |
| M2464 | BWP | R005796 | M2598L | BWP | 2210-C-7595 |
| M2465 | BWP | R005751 | M2598L | BWP | 2210-L-7838 |
| M2466 | BWP | R005983R | M2598R | BWP | 2210-K-7837 |
| M2467 | BWP | R005983L | M2599L | BWP | 2210-J-7628 |
| M2472 | BWP | R008996R | M2599R | BWP | 2210-H-7626 |
| M2473 | BWP | R008996L | M26 | BWP | R005055 |
| M2474 | BWP | R009001R | M2600L | BWP | R607026 |
| M2475 | BWP | R009001L | M2600R | BWP | R607025 |
| M2476 | BWP | R008995R | M2601L | BWP | R607034 |
| M2477 | BWP | R008995L | M2601R | BWP | R607033 |
| M2478 | BWP | R001623R | M2602L | BWP | 2210-C-6165 |
| M2479 | BWP | R001623L | M2602R | BWP | 2210-D-6166 |
| M248 | BWP | R004975R | M2603L | BWP | R607168 |
| M2480 | BWP | R005985R | M2604L | BWP | R607046 |
| M2481 | BWP | R005985L | M2604R | BWP | R607045 |
| M2484 | BWP | R009000R | M2605L | BWP | 2210-Q-7427 |
| M2485 | BWP | R009000L | M2605R | BWP | 2210-P-7426 |
| M248A | BWP | R004979R | M2606L | BWP | 2210-C-7569 |
| M249 | BWP | R004975L | M2606R | BWP | 2210-B-7568 |
| M2494 | BWP | R005715R | M2607L | BWP | 2210-U-7587 |
| M2495 | BWP | R005715L | M2607R | BWP | 2210-T-7586 |
| M2497 | BWP | R005717L | M2609L | BWP | 2210-F-6844 |
| M2498 | BWP | R008948R | M2609R | BWP | 2210-G-6845 |
| M2499 | BWP | R008948L | M261 | BWP | R005587L |
| M25 | BWP | R005035 | M2610L | BWP | 2210-F-5726 |
| M2500 | BWP | R005883 | M2610R | BWP | 2210-E-5725 |
| M2509 | BWP | R005801 | M2611L | BWP | R607078 |
| M2514 | BWP | R008942R | M2611R | BWP | R607077 |
| M2515 | BWP | R008942L | M2612L | BWP | 2210-A-7515 |
| M2516 | BWP | R001415R | M2612L | BWP | 2210-J-7524 |
| M2517 | BWP | R001415L | M2612R | BWP | 2210-H-7522 |
| M2520 | BWP | R005798 | M2612R | BWP | 2210-Z-7514 |
| M2521 | BWP | R005799 | M2613L | BWP | 2210-J-7524 |
| M2523 | BWP | R005800 | M2613L | BWP | 2210-Z-8216 |
| M2524 | BWP | R005872 | M2613R | BWP | 2210-H-7522 |
| M2525 | BWP | R005955 | M2613R | BWP | 2210-Y-8215 |
| M2526 | BWP | R004960 | M2614L | BWP | 2210-W-7537 |
| M2527 | BWP | R005952 | M2614R | BWP | 2210-V-7536F |
| M2528 | BWP | R005957 | M2614R | BWP | 2210-V-7536 |
| M2529 | BWP | R005960 | M2615L | BWP | R607036 |
| M2531 | BWP | R002437 | M2615R | BWP | R607035 |
| M2532 | BWP | R002433 | M2616L | BWP | R607030 |
| M2533 | BWP | R002438 | M2616R | BWP | R607029 |
| M2534 | BWP | R002431 | M2617L | BWP | R607037 |
| M2535 | BWP | R002340 | M2617L | BWP | R607038 |
| M2537 | BWP | R002435 | M2617R | BWP | R607037 |
| M2548 | BWP | R657001 | M2617R | BWP | R607038 |
| M2567 | BWP | R000573 | M2618 | BWP | 1225-M-897 |
| M2568 | BWP | R003010 | M2621 | BWP | R617005 |
| M2573 | BWP | R003501 | M2622 | BWP | R617008 |
| M2577 | BWP | R824003 | M2623 | BWP | R617006 |
| M2577 | BWP | R824004 | M2629 | BWP | 3780-A-131 |
| M2579 | BWP | R824012 | M2629 | BWP | 3780-A-131 |
| M258 | BWP | R005618R | M2630 | BWP | A-1205-P-1602 |
| M2585 | BWP | 2297-N-2874 | M2631 | BWP | R627015 |
| M259 | BWP | R005618L | M2632 | BWP | R627026 |
| M2593 | BWP | A-3222-E-1383 | M2633 | BWP | A-1205-V-1556 |
| M2595 | BWP | A-3222-C-1381 | M2634 | BWP | 1229-N-2250 |
| M2597L | BWP | 2210-M-8333 | M2636 | BWP | R627028 |

CROSS REFERENCE

| PART# | COMPETITOR | MERITOR# | PART# | COMPETITOR | MERITOR# |
|-------|------------|---------------|--------|------------|--------------|
| M2637 | BWP | 1225-R-1136 | M2747 | BWP | R670023 |
| M2637 | BWP | 1229-Q-277 | M2748 | BWP | R537005 |
| M2638 | BWP | 1229-S-2697 | M3 | BWP | R005571AG |
| M2639 | BWP | 1107-D-56 | M3108L | BWP | 2210-L-7396 |
| M2640 | BWP | 1229-B-236 | M3108R | BWP | 2210-K-7395 |
| M2641 | BWP | 1229-P-302 | M3109L | BWP | 2210-Q-7427 |
| M2643 | BWP | 1229-E-811 | M3109R | BWP | 2210-P-7426 |
| M2645 | BWP | R630005 | M3110L | BWP | 2210-L-7500 |
| M2646 | BWP | 1229-E-811 | M3110R | BWP | 2210-K-7499 |
| M2647 | BWP | R627039 | M3111L | BWP | 2210-J-7524 |
| M2648 | BWP | R627027 | M3111R | BWP | 2210-H-7522 |
| M2649 | BWP | R627012 | M3112R | BWP | 2210-V-7536F |
| M2653 | BWP | A-3222-V-2466 | M3113L | BWP | 2210-L-7552 |
| M2654 | BWP | A-3222-D-784 | M3113R | BWP | 2210-K-7551 |
| M2657 | BWP | A-3722-E-681 | M3114L | BWP | 2210-C-7595 |
| M2658 | BWP | A-3722-T-358 | M3114R | BWP | 2210-B-7594 |
| M2658 | BWP | A-3722-T-358 | M3115L | BWP | 2210-J-7654 |
| M2659 | BWP | A-3222-K-1103 | M3115R | BWP | 2210-H-7652 |
| M2660 | BWP | A-3222-F-1072 | M3116L | BWP | 2210-E-7675 |
| M2662 | BWP | R700455 | M3116R | BWP | 2210-D-7674 |
| M2663 | BWP | R700458 | M3117L | BWP | 2210-W-7693 |
| M2665 | BWP | R704595 | M3117R | BWP | 2210-V-7692 |
| M2669 | BWP | A-3222-A-1717 | M3118L | BWP | 2210-W-7719 |
| M2674 | BWP | A-3722-D-82 | M3118R | BWP | 2210-V-7718 |
| M2675 | BWP | A-3222-P-1082 | M3119L | BWP | 2210-A-7749 |
| M2677 | BWP | R700321 | M3119L | BWP | 2210-J-7784 |
| M2679 | BWP | R700401 | M3119R | BWP | 2210-H-7782 |
| M2680 | BWP | R700400 | M3119R | BWP | 2210-Z-7748 |
| M2681 | BWP | R700442 | M3120L | BWP | 2210-U-7483 |
| M2683 | BWP | R700346 | M3120R | BWP | 2210-T-7482 |
| M2684 | BWP | R700381 | M3121L | BWP | 2210-G-7443 |
| M2686 | BWP | R704516 | M3121R | BWP | 2210-F-7442 |
| M2687 | BWP | R700322 | M3122L | BWP | 2210-D-6842 |
| M2688 | BWP | R700427 | M3122R | BWP | 2210-E-6843 |
| M2689 | BWP | A-3222-N-1496 | M3123L | BWP | 2210-F-6844 |
| M2691 | BWP | A-3222-R-1422 | M3123R | BWP | 2210-G-6845 |
| M2693 | BWP | A-3222-E-1383 | M3124L | BWP | 2210-M-6851 |
| M2694 | BWP | R4551Q | M3124R | BWP | 2210-N-6852 |
| M2694 | BWP | R4551Q | M3125L | BWP | 2210-V-6860 |
| M2695 | BWP | A-3222-C-1381 | M3125R | BWP | 2210-W-6861 |
| M2696 | BWP | A-3222-D-1356 | M3126L | BWP | R607155 |
| M27 | BWP | R005927G | M3126R | BWP | R607156 |
| M2700 | BWP | A-3722-D-680 | M3127L | BWP | R607153 |
| M2706 | BWP | 1259-B-262 | M3127R | BWP | R607154 |
| M2714 | BWP | 1229-V-1556 | M3128L | BWP | R607105 |
| M2715 | BWP | 1229-B-2498 | M3128R | BWP | R607106 |
| M2718 | BWP | 1246-F-1020 | M3129L | BWP | R607111 |
| M2719 | BWP | 1199-U-3765 | M3129R | BWP | R607112 |
| M2721 | BWP | 1829-P-198 | M3130L | BWP | R607115 |
| M2724 | BWP | 1199-G-3725 | M3130R | BWP | R607116 |
| M2727 | BWP | 2297-C-5021 | M3131L | BWP | R607113 |
| M2728 | BWP | 2258-B-704 | M3131R | BWP | R607114 |
| M2729 | BWP | 2258-G-579 | M3132L | BWP | R607173 |
| M2733 | BWP | R567017 | M3132R | BWP | R607174 |
| M2734 | BWP | R670024 | M3133L | BWP | R607185 |
| M2735 | BWP | 2758-W-127 | M3133R | BWP | R607186 |
| M2738 | BWP | R567028 | M3134L | BWP | R607177 |
| M2739 | BWP | 2258-R-590 | M3134R | BWP | R607178 |
| M2742 | BWP | 1218-C-107 | M3135L | BWP | R607223 |
| M2743 | BWP | 2258-B-184 | M3135R | BWP | R607224 |
| M2746 | BWP | 2258-Y-1273 | M3136L | BWP | R607221 |

CROSS REFERENCE

| PART# | COMPETITOR | MERITOR# | PART# | COMPETITOR | MERITOR# |
|--------|------------|---------------|-------|------------|---------------|
| M3136R | BWP | R607222 | M3205 | BWP | R005992A |
| M3137L | BWP | R607189 | M3206 | BWP | R005993 |
| M3137R | BWP | R607190 | M3207 | BWP | R005991 |
| M3138L | BWP | R607225 | M3216 | BWP | R006035 |
| M3138R | BWP | R607226 | M3217 | BWP | R006034 |
| M3140L | BWP | R607181 | M3218 | BWP | R008949R |
| M3140R | BWP | R607182 | M3219 | BWP | R008949L |
| M3141L | BWP | R607233 | M3224 | BWP | R006027R |
| M3141R | BWP | R607234 | M3225 | BWP | R006027L |
| M3142L | BWP | R607183 | M3232 | BWP | R006001 |
| M3142R | BWP | R607184 | M3236 | BWP | 2258-E-1123 |
| M3143L | BWP | R607024 | M3236 | BWP | A-1205-D-2110 |
| M3143R | BWP | R607025 | M3237 | BWP | 1225-R-1136 |
| M3144R | BWP | R607045 | M3238 | BWP | R547010 |
| M3145L | BWP | R607175 | M3239 | BWP | R547011 |
| M3145R | BWP | R607176 | M3240 | BWP | R627033 |
| M3148L | BWP | R607237 | M3241 | BWP | R008979R |
| M3148R | BWP | R607238 | M3242 | BWP | R008979L |
| M3169L | BWP | R607199 | M3243 | BWP | 2247-X-128 |
| M3169R | BWP | R607200 | M3246 | BWP | 1259-V-308 |
| M3170L | BWP | 2210-C-6867 | M3247 | BWP | 1225-N-1158 |
| M3170R | BWP | 2210-B-6866 | M3248 | BWP | 1229-C-4137 |
| M3171L | BWP | 2210-G-6871 | M3258 | BWP | R567501 |
| M3171R | BWP | 2210-F-6870 | M3288 | BWP | R004871 |
| M3172L | BWP | 2210-E-6869 | M3291 | BWP | R004881 |
| M3172R | BWP | 2210-D-6868 | M3296 | BWP | R004857 |
| M3173L | BWP | 2210-A-6345 | M3298 | BWP | R006138 |
| M3173L | BWP | R607056 | M3345 | BWP | R567501 |
| M3173R | BWP | 2210-Z-6344 | M3346 | BWP | R567009 |
| M3173R | BWP | R607055 | M3349 | BWP | 1229-D-2942 |
| M3174L | BWP | R607048 | M3350 | BWP | R1308E |
| M3174R | BWP | R607047 | M3352 | BWP | R627030 |
| M3175L | BWP | R607169 | M3353 | BWP | R627031 |
| M3175R | BWP | R607170 | M3354 | BWP | R627032 |
| M3176L | BWP | R607262 | M3361 | BWP | 1718-Y-103 |
| M3176R | BWP | R607261 | M3373 | BWP | R823002 |
| M3178L | BWP | R607084 | M3374 | BWP | A-3275-J-686 |
| M3178R | BWP | R607083 | M3375 | BWP | R824009 |
| M3179L | BWP | 2210-E-7493 | M3390 | BWP | 1227-V-464 |
| M3179R | BWP | 2210-D-7492 | M3392 | BWP | R002462 |
| M3180L | BWP | R607162 | M3393 | BWP | R006141 |
| M3180R | BWP | R607161 | M3398 | BWP | 1229-T-4102 |
| M3181L | BWP | R607098 | M34 | BWP | R005012 |
| M3181R | BWP | R607097 | M3491 | BWP | R567505 |
| M3185L | BWP | R607263 | M3608 | BWP | R008947R |
| M3185R | BWP | R607264 | M3609 | BWP | R008947L |
| M3186L | BWP | R607171 | M3610 | BWP | R008969R |
| M3186R | BWP | R607172 | M3611 | BWP | R008969L |
| M3187L | BWP | R607179 | M3612 | BWP | R008982R |
| M3187R | BWP | R607180 | M3613 | BWP | R008982L |
| M3188L | BWP | R607197 | M3614 | BWP | R008968R |
| M3188R | BWP | R607198 | M3615 | BWP | R008968L |
| M3189 | BWP | A-3222-D-2006 | M3616 | BWP | R009008R |
| M3190 | BWP | R4709 | M3617 | BWP | R009008L |
| M3191 | BWP | A-3222-F-1982 | M3618 | BWP | R009010R |
| M3199 | BWP | A-3222-J-1440 | M3619 | BWP | R009010L |
| M32 | BWP | R005712 | M3628 | BWP | R008977R |
| M3200 | BWP | R005998 | M3629 | BWP | R008977L |
| M3201 | BWP | R005997 | M3632 | BWP | R008972R |
| M3202 | BWP | R005999 | M3633 | BWP | R008972L |
| M3203 | BWP | R006000A | M3640 | BWP | R001014L |

CROSS REFERENCE

| PART# | COMPETITOR | MERITOR# | PART# | COMPETITOR | MERITOR# |
|--------|------------|---------------|-------|------------|-----------------|
| M3641 | BWP | R001014L | M46 | BWP | R005558R |
| M3644 | BWP | R005989L | M460 | BWP | 2797-B-1042 |
| M3645 | BWP | R005989R | M461 | BWP | 2797-D-56 |
| M3650 | BWP | R0010209R | M462 | BWP | 2797-B-106 |
| M3651 | BWP | R0010209L | M47 | BWP | R005558L |
| M3652 | BWP | R0010208R | M474 | BWP | R824007 |
| M3654 | BWP | R0010210R | M475 | BWP | R002091 |
| M3655 | BWP | R0010210L | M477L | BWP | R607006 |
| M3659 | BWP | R0010219 | M477R | BWP | R607005 |
| M3663 | BWP | R0010221 | M478L | BWP | R607010 |
| M3667 | BWP | R008981 | M478R | BWP | R607009 |
| M3668 | BWP | R0010676 | M479L | BWP | R607008 |
| M3669 | BWP | R008980 | M479R | BWP | R607007 |
| M3671 | BWP | R009009 | M48 | BWP | R005556R |
| M3682L | BWP | 2210-L-7838 | M49 | BWP | R005556L |
| M3682R | BWP | 2210-K-7837 | M496L | BWP | R607024 |
| M3683L | BWP | 2210-J-7628 | M496R | BWP | R607023 |
| M3683R | BWP | 2210-H-7626 | M497L | BWP | R607024 |
| M3684L | BWP | 2210-J-7654 | M5 | BWP | R005046 |
| M3684R | BWP | 2210-H-7652 | M50 | BWP | R005559R |
| M3685L | BWP | 2210-A-7671 | M500 | BWP | A-3722-N-66 |
| M3685R | BWP | 2210-Z-7670 | M504 | BWP | R704591 |
| M3686L | BWP | 2210-N-7684 | M507 | BWP | R002518A |
| M3686R | BWP | 2210-M-7683 | M508 | BWP | A25-3222-D-1954 |
| M3687L | BWP | 2210-W-7693 | M51 | BWP | R005559L |
| M3687R | BWP | 2210-V-7692 | M510 | BWP | A-3722-L-64 |
| M3687R | BWP | 2210-V-7692 | M511 | BWP | A-3722-N-66 |
| M3688L | BWP | 2210-F-6168 | M512 | BWP | A-3222-L-1572 |
| M3688R | BWP | 2210-E-6167 | M513 | BWP | A-3222-A-1717 |
| M3696L | BWP | R607227 | M516 | BWP | A-3222-A-1717 |
| M3696R | BWP | R607228 | M52 | BWP | R005561R |
| M3697L | BWP | R607229 | M53 | BWP | R005561L |
| M3697R | BWP | R607230 | M538 | BWP | 1225-F-266 |
| M3699L | BWP | R607277 | M539 | BWP | 1225-A-183 |
| M3699R | BWP | R607278 | M54 | BWP | R005560R |
| M37 | BWP | R004955 | M541 | BWP | 1225-N-352 |
| M3747 | BWP | R627034 | M543 | BWP | R570005 |
| M3748 | BWP | R617015 | M547 | BWP | 2258-P-354 |
| M3793L | BWP | R607251 | M548 | BWP | 2258-P-354 |
| M3793R | BWP | R607252 | M549 | BWP | 2258-K-349 |
| M3799L | BWP | R607325 | M55 | BWP | R005560L |
| M3799R | BWP | R607326 | M556 | BWP | 2258-B-288 |
| M38 | BWP | R004958 | M557L | BWP | R607021 |
| M39 | BWP | R004956A | M557L | BWP | R607022 |
| M3968 | BWP | R0010214R | M557R | BWP | R607021 |
| M3969 | BWP | R0010214L | M557R | BWP | R607022 |
| M3979 | BWP | R009020 | M558L | BWP | R607052 |
| M4 | BWP | R005572AG | M558R | BWP | R607051 |
| M40 | BWP | R004957 | M559L | BWP | 2210-N-1574 |
| M41 | BWP | R004990A | M559R | BWP | 2210-M-1573 |
| M43 | BWP | R004962 | M559R | BWP | R607083 |
| M432 | BWP | R002307 | M56 | BWP | R005551R |
| M434 | BWP | R824000 | M560L | BWP | 2210-J-2948 |
| M435 | BWP | R823000 | M560R | BWP | 2210-H-2946 |
| M44 | BWP | R004962 | M561L | BWP | 2210-Y-6317 |
| M45 | BWP | R004963 | M561R | BWP | 2210-X-6316 |
| M451 | BWP | A-73275-X-518 | M562L | BWP | 2210-N-2484 |
| M451 | BWP | R823000 | M562L | BWP | R607082 |
| M456 | BWP | R823005 | M562R | BWP | 2210-M-2483 |
| M457 | BWP | R824001 | M562R | BWP | R607081 |
| M457 | BWP | R824001 | M563L | BWP | R607011 |

CROSS REFERENCE

| PART# | COMPETITOR | MERITOR# | PART# | COMPETITOR | MERITOR# |
|-------|------------|-----------------|-------|------------|---------------|
| M563R | BWP | R607012 | M683 | BWP | R000573 |
| M566L | BWP | R607020 | M684 | BWP | R000572 |
| M566R | BWP | R607019 | M7 | BWP | R005044 |
| M567L | BWP | 2210-A-6319 | M70 | BWP | R005565R |
| M567R | BWP | 2210-Z-6318 | M706 | BWP | R00632 |
| M57 | BWP | R005551L | M71 | BWP | R005565L |
| M571 | BWP | 1225-L-1208 | M719 | BWP | 1229-M-559 |
| M571A | BWP | R617001 | M72 | BWP | R004964R |
| M571B | BWP | R617001 | M721 | BWP | R567011 |
| M571B | BWP | R617003 | M723 | BWP | R547013 |
| M578 | BWP | R627022 | M74 | BWP | R004965R |
| M579 | BWP | 1229-Z-1118 | M743L | BWP | R607075 |
| M58 | BWP | R005585R | M743L | BWP | R607076 |
| M580 | BWP | 1229-Q-771 | M743R | BWP | R607075 |
| M582 | BWP | R617002 | M743R | BWP | R607076 |
| M583 | BWP | 1229-R-122 | M744L | BWP | R607002 |
| M584 | BWP | 1229-G-1463 | M744R | BWP | R607001 |
| M587A | BWP | A-1205-V-1556 | M745L | BWP | 2210-A-937 |
| M588 | BWP | 1229-J-868 | M745R | BWP | 2210-Z-936 |
| M59 | BWP | R005585L | M746L | BWP | 2210-D-6400 |
| M590A | BWP | 3236-A-1249 | M746L | BWP | R607042 |
| M590A | BWP | A1-3236A-1249 | M746R | BWP | 2210-C-6399 |
| M592 | BWP | R517006 | M746R | BWP | R607041 |
| M594 | BWP | R517003 | M747 | BWP | 1225-B-496 |
| M596 | BWP | 1779-B-1172 | M748 | BWP | 1229-B-1848 |
| M596 | BWP | 2297-T-7222 | M748 | BWP | 1229-G-2971 |
| M596A | BWP | 1779-C-81 | M75 | BWP | R004965L |
| M597 | BWP | 1779-D-82 | M76 | BWP | R004966L |
| M598 | BWP | 1779-E-83 | M76 | BWP | R004966R |
| M60 | BWP | R005553R | M760 | BWP | R517009 |
| M604 | BWP | R517004 | M762 | BWP | R517010 |
| M61 | BWP | R005553L | M763 | BWP | R517011 |
| M612 | BWP | R517509 | M77 | BWP | R004966L |
| M615 | BWP | 1246-G-345 | M771 | BWP | 1259-M-1131 |
| M619 | BWP | 1259-R-252 | M773L | BWP | 2210-L-2482 |
| M62 | BWP | R005557L | M773R | BWP | 2210-K-2481 |
| M620 | BWP | 1259-Q-251 | M774L | BWP | R607064 |
| M620 | BWP | 1259-Q-251-BULK | M774R | BWP | R607063 |
| M623 | BWP | 1259-U-151 | M776L | BWP | R607004 |
| M626 | BWP | 1259-X-76 | M776R | BWP | R607003 |
| M63 | BWP | R005557R | M7782 | BWP | R607018 |
| M633 | BWP | R547030 | M778L | BWP | R607017 |
| M638 | BWP | R823002 | M778L | BWP | R607018 |
| M638 | BWP | R824003 | M778R | BWP | R607017 |
| M64 | BWP | R005562R | M778R | BWP | R607018 |
| M641 | BWP | 5-X-640 | M78 | BWP | R004967R |
| M641A | BWP | A-1205-S-1943 | M782 | BWP | R537003 |
| M642 | BWP | 1205-K-193 | M79 | BWP | R004967L |
| M644 | BWP | 1718-Y-103 | M790 | BWP | R567004 |
| M645 | BWP | 1229-T-3166 | M791 | BWP | R567003 |
| M649 | BWP | 1229-G-709 | M792 | BWP | 2258-Z-416 |
| M65 | BWP | R005562L | M795 | BWP | 2258-B-184 |
| M652A | BWP | R547005 | M798 | BWP | R567023 |
| M656 | BWP | 5-X-418 | M8 | BWP | R005040AG |
| M66 | BWP | R001011R | M80 | BWP | R004968R |
| M660 | BWP | 5-X-265 | M800 | BWP | A-3722-B-80 |
| M661 | BWP | 1205-L-272 | M801 | BWP | A-3722-D-82 |
| M665 | BWP | 5-X-482 | M802 | BWP | A-3722-L-64 |
| M67 | BWP | R001011L | M808 | BWP | A-3222-S-2021 |
| M679 | BWP | 1229-T-462 | M81 | BWP | R004968L |
| M682 | BWP | R000540 | M811 | BWP | R4311 |

CROSS REFERENCE

| PART# | COMPETITOR | MERITOR# | PART# | COMPETITOR | MERITOR# |
|---------|------------|---------------|-----------|-------------|---------------|
| M816 | BWP | A-3222-R-1422 | M962 | BWP | R004946 |
| M82 | BWP | R004969R | M968 | BWP | R004948 |
| M823 | BWP | 2258-J-1440 | M969 | BWP | R004949 |
| M824 | BWP | 1205-M-1105 | M97 | BWP | R0010229 |
| M824 | BWP | R627018 | M971 | BWP | R004950 |
| M824A | BWP | R627008 | M974 | BWP | R005702 |
| M825 | BWP | 1205-N-924 | M976 | BWP | R004952 |
| M827 | BWP | 1225-G-631 | M977 | BWP | R004953 |
| M83 | BWP | R004969L | M979 | BWP | A-2297-L-3158 |
| M838 | BWP | 1227-B-678 | M98 | BWP | R001905 |
| M839 | BWP | R001252 | M981 | BWP | R005736 |
| M84 | BWP | R005718R | M982 | BWP | R005737 |
| M840 | BWP | R001251 | M985 | BWP | R005740 |
| M844 | BWP | R567502 | M986 | BWP | R005742 |
| M846 | BWP | R002128 | M987 | BWP | R005743 |
| M848 | BWP | A-2297-L-3158 | M989L | BWP | R607096 |
| M85 | BWP | R005718L | M989R | BWP | R607095 |
| M850 | BWP | KIT-9020 | M990L | BWP | 2210-R-8156 |
| M850(2) | BWP | KIT-9020 | M990R | BWP | 2210-Q-8155 |
| M853 | BWP | A-3280-U-8185 | M991L | BWP | 2210-T-8158 |
| M855 | BWP | 1199-P-2538 | M991R | BWP | 2210-S-8157 |
| M858 | BWP | 2297-H-2712 | M992L | BWP | 2210-V-8160 |
| M859 | BWP | A-3280-V-8186 | M992R | BWP | 2210-U-8159 |
| M86 | BWP | R005719R | M994L | BWP | R607070 |
| M860 | BWP | A-2247-D-1018 | M994R | BWP | R607069 |
| M862 | BWP | 2297-Y-5329 | M995L | BWP | R607068 |
| M862 | BWP | 2297-Z-5330 | M995R | BWP | R607067 |
| M863 | BWP | 2297-Y-5329 | M996L | BWP | R607092 |
| M865 | BWP | A-3280-W-8187 | M996R | BWP | R607091 |
| M866 | BWP | A-2247-E-1019 | M997L | BWP | R607072 |
| M867 | BWP | KIT-1128 | M997R | BWP | R607071 |
| M867(2) | BWP | KIT-1128 | M998L | BWP | R607074 |
| M868 | BWP | 2297-A-5331 | M998R | BWP | R607073 |
| M868 | BWP | 2297-B-5332 | M999 | BWP | R627009 |
| M869 | BWP | 2297-A-5331 | MBCBK0010 | Fruehauf | R507010 |
| M869 | BWP | 2297-B-5332 | MBCBK0015 | Fruehauf | R507005 |
| M87 | BWP | R005719L | MBCBK0020 | Fruehauf | KIT-8000 |
| M871 | BWP | A-3280-X-8188 | MBCBK0021 | Fruehauf | R508014 |
| M872 | BWP | A-2247-F-1020 | MBCBK0022 | Fruehauf | R509001 |
| M877 | BWP | 3280-Y-8189 | MBCBK0024 | Fruehauf | KIT-8004 |
| M877 | BWP | A-1779-M-195 | MBCBK0027 | Fruehauf | R509001 |
| M878 | BWP | 1205-B-2004 | MBCBK0030 | Fruehauf | R507002 |
| M879 | BWP | A-2297-L-3158 | MDS001326 | Fruehauf | R008954R |
| M88 | BWP | R005720R | MDS001327 | Fruehauf | R008954L |
| M881 | BWP | 1205-C-2005 | MEY808708 | Fruehauf | R607111 |
| M882 | BWP | 1199-F-3464 | MEY808709 | Fruehauf | R607112 |
| M884 | BWP | 2297-B-5670 | MF1 | Sirco Brake | KIT-8081 |
| M89 | BWP | R005720L | MF1 | Sirco Brake | R508053 |
| M890 | BWP | 1779-A-339 | MF2 | Sirco Brake | KIT-8081 |
| M891 | BWP | 1779-H-320 | MF3 | Sirco Brake | KIT-8037 |
| M892 | BWP | 1227-E-1487 | MHS003703 | Fruehauf | R002002 |
| M894 | BWP | 1205-B-2004 | MHS010562 | Fruehauf | R587001 |
| M895 | BWP | 1779-Q-433 | MK10 | BWP | MKT-4311EHDN |
| M896 | BWP | MPS-2003 | MK101 | BWP | R615008 |
| M899 | BWP | A-1199-X-2988 | MK103 | BWP | R615019 |
| M94 | BWP | R005613R | MK104 | BWP | R507078 |
| M95 | BWP | R005613L | MK106 | BWP | KIT-8081 |
| M957 | BWP | R004942 | MK107 | BWP | R615022 |
| M96 | BWP | R001902 | MK107 | BWP | R009791HD |
| M960 | BWP | R004944 | MK109 | BWP | R507093 |
| M961 | BWP | R004945 | MK11 | BWP | R507014 |

CROSS REFERENCE

| PART# | COMPETITOR | MERITOR# | PART# | COMPETITOR | MERITOR# |
|---------|-------------|--------------|-------------|------------|--------------|
| MK12 | BWP | R507015 | MK86 | BWP | R615015 |
| MK13 | BWP | KIT-9037 | MK87 | BWP | KIT-8092 |
| MK16 | BWP | KIT-970 | MK88 | BWP | KIT-8078A |
| MK17 | BWP | KIT-9078 | MK89 | BWP | KIT-8058 |
| MK18 | BWP | R615003 | MK9 | BWP | R507001 |
| MK18 | BWP | R002123 | MK90 | BWP | KIT-8289 |
| MK19 | BWP | R615002 | MK92 | BWP | KIT-8081 |
| MK1HD | Sirco Brake | KIT-9003 | MK93 | BWP | KIT-8026HD |
| MK2 | Sirco Brake | KIT-8026HD | MK94 | BWP | R507080 |
| MK2 | BWP | R509001 | MK95 | BWP | R507081 |
| MK20 | BWP | R615005 | MK96 | BWP | R615016 |
| MK21 | BWP | R615006 | MK98 | BWP | MKT-4702KT |
| MK24 | BWP | R615008 | MK99 | BWP | MKT-4311EHDN |
| MK25 | BWP | R615001 | MMGW1061L | Fruehauf | R008977L |
| MK26 | BWP | R615010 | MMGW1061R | Fruehauf | R008977R |
| MK27 | BWP | R615009 | MRM0T1704 | Fruehauf | R005032 |
| MK30 | BWP | KIT-1106B | MRM0T5495 | Fruehauf | R587001 |
| MK31 | BWP | KIT-1105B | MRMT1704D | Fruehauf | R005032 |
| MK31/32 | BWP | KIT-1105B | MRMT5495D | Fruehauf | R587001 |
| MK32 | BWP | KIT-1105B | MRMT5495S | Fruehauf | R587001 |
| MK33 | BWP | KIT-1192 | MRS008000 | Fruehauf | KIT-8000 |
| MK33/34 | BWP | KIT-1192 | MRS009001 | Fruehauf | R509001 |
| MK34 | BWP | KIT-1192 | MRS061113 | Fruehauf | 2210-R-8156 |
| MK35 | BWP | R670016 | MRS061878 | Fruehauf | R607082 |
| MK37 | BWP | R670015 | MRS061879 | Fruehauf | R607081 |
| MK39 | BWP | MKT-4515QN | MRS062099 | Fruehauf | 2210-G-6169 |
| MK4 | BWP | KIT-9017 | MRS062100 | Fruehauf | 2210-H-6170 |
| MK42 | BWP | MKT-4515XHD | MSA40010211 | Fruehauf | R802444 |
| MK43 | BWP | R507068 | MSA40010211 | Fruehauf | R802445 |
| MK44 | BWP | R507067 | MSA40010211 | Fruehauf | R802512 |
| MK45 | BWP | KIT-8004 | MSA40010212 | Fruehauf | R802417 |
| MK46 | BWP | R507000 | MSA40010212 | Fruehauf | R802490 |
| MK47 | BWP | R507005 | MSA40010212 | Fruehauf | R802491 |
| MK50 | BWP | R507073 | MSA40010215 | Fruehauf | R801045 |
| MK52 | BWP | MKT-1308T | MSA40010215 | Fruehauf | R802333 |
| MK55 | BWP | R507069 | MSA40010215 | Fruehauf | R802513 |
| MK58 | BWP | R507072 | MWC05995L | Fruehauf | R005995L |
| MK59 | BWP | KIT-9179 | MWC05995R | Fruehauf | R005995R |
| MK6 | BWP | R507077 | MWC089774 | Fruehauf | R006001 |
| MK60 | BWP | R615000 | MWC101150 | Fruehauf | R006026L |
| MK61 | BWP | KIT-8048 | MWC101150 | Fruehauf | R006026R |
| MK62 | BWP | R615003 | MWC101150 | Fruehauf | R006027L |
| MK63 | BWP | R615004 | MWC101150 | Fruehauf | R006027R |
| MK64 | BWP | R615007 | MWCB00601 | Fruehauf | R004958 |
| MK65 | BWP | KIT-9035 | MWCB00612 | Fruehauf | R004956A |
| MK68 | BWP | KIT-9300 | MWCN00026 | Fruehauf | R004962 |
| MK69 | BWP | KIT-9304 | MWCN00040 | Fruehauf | R004963 |
| MK7 | BWP | MKT-4515P | MWCX01068 | Fruehauf | R004961A |
| MK70 | BWP | R670025 | MWCX01384 | Fruehauf | R004968R |
| MK72 | BWP | MKT-4515QHDN | MWCX01385 | Fruehauf | R004968L |
| MK74 | BWP | KIT-9005 | MWCX01386 | Fruehauf | R004969R |
| MK76 | BWP | KIT-1191 | MWCX01387 | Fruehauf | R004969L |
| MK77 | BWP | MKT-1308E | MWCX01558 | Fruehauf | R005556R |
| MK77 | BWP | R507004 | MWCX01562 | Fruehauf | R005559R |
| MK78 | BWP | R615013 | MWCX01563 | Fruehauf | R005559L |
| MK79 | BWP | MKT-1308Q | MWCX01572 | Fruehauf | R005560R |
| MK80 | BWP | R507088 | MWCX01573 | Fruehauf | R005560L |
| MK81 | BWP | KIT-8042 | MWCX01580 | Fruehauf | R005553R |
| MK83 | BWP | R507076 | MWCX01581 | Fruehauf | R005553L |
| MK84 | BWP | MKT-4709ESN | MWCX01614 | Fruehauf | R005716R |
| MK85 | BWP | KIT-8048 | MWCX01615 | Fruehauf | R005716L |

CROSS REFERENCE

| PART# | COMPETITOR | MERITOR# | PART# | COMPETITOR | MERITOR# |
|--------------|----------------------|----------------|-------------|-------------|----------------|
| MWCX01616 | Fruehauf | R005589R | QK2 | Sirco Brake | MKT-4515U |
| MWCX01617 | Fruehauf | R005589L | QK2HD | Sirco Brake | MKT-4515UHD |
| MWCX01702 | Fruehauf | R005765R | QK2S | Sirco Brake | MKT-4515U |
| MWCX01703 | Fruehauf | R005765L | QK2S | Sirco Brake | R508014 |
| MWCX01704 | Fruehauf | R005756R | QK2SHD | Sirco Brake | MKT-4515UHD |
| MWCX01705 | Fruehauf | R005756L | QK2SHD | Sirco Brake | R508015 |
| MWCX01706 | Fruehauf | R005757R | QK8 | Sirco Brake | MKT-4515QMBN |
| MWCX01707 | Fruehauf | R005757L | QK8 | Sirco Brake | R508002 |
| MWCX01708 | Fruehauf | R005766R | QK8A | Sirco Brake | KIT-8000MBA |
| MWCX01709 | Fruehauf | R005766L | QK8HD | Sirco Brake | MKT-4515QMBHDN |
| MWCX01712 | Fruehauf | R004966R | QK8HD | Sirco Brake | R508003 |
| MWCX01713 | Fruehauf | R004966L | R01042R | Dana | 20-X-460 |
| MWCX01803 | Fruehauf | R005652R | R123 | APT | R005571AG |
| MWCX01804 | Fruehauf | R005652L | R2138 | Eaton | R002091 |
| MWCX01807 | Fruehauf | R005554R | R235 | APT | R005572AG |
| MWCX01808 | Fruehauf | R005554L | R708 | APT | R005784G |
| MWCX01828 | Fruehauf | R007895R | R993 | APT | R005040AG |
| MWCX01829 | Fruehauf | R007895L | RC1 | Sirco Brake | KIT-9304 |
| MWCX01831 | Fruehauf | R005977R | RF1ARK | Sirco Brake | MKT-1308T |
| MWCX0183100Y | Fruehauf | R005977R | RF1ARK | Sirco Brake | R509094 |
| MWCX01832 | Fruehauf | R005977L | RF2ARK | Sirco Brake | KIT-1125 |
| MWCX0183200Y | Fruehauf | R005977L | RF2ARK | Sirco Brake | R509095 |
| MWCX01835 | Fruehauf | R007896R | RF3 | Sirco Brake | 1229-V-1504 |
| MWCX01836 | Fruehauf | R007896L | RF3 | Sirco Brake | KIT-8029 |
| MWCX01873 | Fruehauf | R005978R | RF3 | Sirco Brake | MKT-1308Q |
| MWCX01874 | Fruehauf | R005978L | RF3A | Sirco Brake | R508030 |
| MWCX02138 | Fruehauf | R005988R | RF3A | Sirco Brake | R508030 |
| MWCX02139 | Fruehauf | R005988L | RF5 | Sirco Brake | MKT-4702KT |
| MWCX02142 | Fruehauf | R005992A | RF5 | Sirco Brake | R508824 |
| MWCX02143 | Fruehauf | R005991 | RK1 | Sirco Brake | KIT-9179 |
| MWCX02155 | Fruehauf | R005997 | RK2 | Sirco Brake | KIT-9408 |
| MWCX02156 | Fruehauf | R006000A | RM2611R | BWP | R607077 |
| MWCX02157 | Fruehauf | R005998 | S2010A | Sirco Brake | R824000 |
| MXCX01559 | Fruehauf | R005556L | S2012A | Sirco Brake | R824007 |
| N26 | National Wheel & Rim | R004962 | S2019A | Sirco Brake | R824004 |
| N2943 | Haldex | R002091 | S2020A | Sirco Brake | R824001 |
| N3137R | BWP | R607190 | S2021A | Sirco Brake | R823000 |
| N3324 | National Wheel & Rim | R005012 | S2022A | Sirco Brake | R824003 |
| N36216M | Haldex | R870016 | S2023 | Sirco Brake | A-3275-J-686 |
| N36220AC | Haldex | R870020 | S2024 | Sirco Brake | R825020 |
| N40 | National Wheel & Rim | R004963 | S2025 | Sirco Brake | R002091 |
| N42 | National Wheel & Rim | R004962 | S2026 | Sirco Brake | R824009 |
| N43 | National Wheel & Rim | R004963 | S21183 | Hercules | MKT-4515QN |
| NL1101 | S&S Truck | NL-1101 | S23752 | Hercules | MKT-4515QHDN |
| NU30 | Goodyear | R004963 | S5022 | S&S Truck | 2797-B-1042 |
| NU65 | Goodyear | R004962 | S5023 | S&S Truck | 2797-D-56 |
| O4165 | Dayton Parts | R607077 | S5024 | S&S Truck | 2797-B-106 |
| O96 | Sirco Brake | R005556L | S648 | Rome | R1308E |
| P807 | Sirco Brake | R005970PL | S648 | Uni-Bond | R1308E |
| P809 | Sirco Brake | R005972PL | S649 | Uni-Bond | A-3222-F-1982 |
| P881M | Sirco Brake | R005991PL | S9865 | S&S Truck | R823000 |
| P891BR | Sirco Brake | R005977RPL | SA10101 | Sirco Brake | R806026 |
| P988L | Sirco Brake | R005988LPL | SA10103 | Sirco Brake | R806022 |
| P988R | Sirco Brake | R005988RPL | SA10144 | Sirco Brake | R806016 |
| QK1 | Sirco Brake | KIT-8000 | SA10211 | Sirco Brake | R806019 |
| QK1 | Sirco Brake | MKT-4515QN | SA10212 | Sirco Brake | R806013 |
| QK1A | Sirco Brake | KIT-8000MBHD | SA10305 | Sirco Brake | R806006 |
| QK1A | Sirco Brake | MKT-4515QMBHDN | SB4311E931 | Dana | KIT-7519AFF |
| QK1HD | Sirco Brake | KIT-8000HD | SB4515P931 | Dana | KSMA3014515P |
| QK1HD | Sirco Brake | MKT-4515QHDN | SB4515X3197 | Spicer | KIT-7512CFF |
| QK1MPHD | Sirco Brake | MKT-4515QN | SB4515X3931 | Dana | KIT-7519AFF |

CROSS REFERENCE

| PART# | COMPETITOR | MERITOR# | PART# | COMPETITOR | MERITOR# |
|-----------------|---------------|--------------|-------------|---------------|--------------|
| SB4515X3MB21 | Spicer | KIT-7512CFF | TK4HD | Sirco Brake | R509001 |
| Sirco Brake1011 | Sirco Brake | R587001 | TK4MPHD | Sirco Brake | MKT-4515P |
| SK1 | Sirco Brake | R507079 | TK803004 | Crane Carrier | TK803004 |
| SLN105 | Dayton Parts | R004961A | TK803010 | Crane Carrier | TK803010 |
| SLN105 | Dayton Parts | R004961A | TK803011 | Crane Carrier | TK803011 |
| ST1001 | Sirco Brake | R567011 | TK803048 | Crane Carrier | TK803048 |
| ST1298 | Goodyear | R005727 | TK803049 | Crane Carrier | TK803049 |
| ST178 | Goodyear | R005726 | TK803050 | Crane Carrier | TK803050 |
| ST29 | Goodyear | R004956A | TK803051 | Crane Carrier | TK803051 |
| ST570 | Goodyear | R005729 | TK803054 | Crane Carrier | TK803054 |
| ST68 | Goodyear | R004958 | TK803055 | Crane Carrier | TK803055 |
| ST69 | Goodyear | R004955 | TK803101 | Crane Carrier | TK803101 |
| ST69 | Motor Wheel | R004955 | TK803102 | Crane Carrier | TK803102 |
| ST770 | Goodyear | R005728 | TK803106 | Crane Carrier | TK803106 |
| T1704 | Reyco | R005032 | TK803108 | Crane Carrier | TK803108 |
| T9730R | Transit Parts | R005578R | TK803109 | Crane Carrier | TK803109 |
| TA144A | Dana | R509001 | TK803110 | Crane Carrier | TK803110 |
| TA14A | Dana | R509001 | TK803112 | Crane Carrier | TK803112 |
| TA14A | Spicer | R509001 | TK803113 | Crane Carrier | TK803113 |
| TA161A | Dana | KIT-9001 | TK803116 | Crane Carrier | TK803116 |
| TA161A | Dana | R509001 | TK803195 | Crane Carrier | TK803195 |
| TA16A | Dana | KIT-9002 | TK810018 | Crane Carrier | TK810018 |
| TA18A | Dana | R507011 | TK810019 | Crane Carrier | TK810019 |
| TA23A | Dana | KIT-9002 | TK810024 | Crane Carrier | TK810024 |
| TA241A | Dana | MKT-4311EHDN | TK810025 | Crane Carrier | TK810025 |
| TA241A | Spicer | R507002 | TK822000 | Crane Carrier | TK822000 |
| TA291A | Dana | MKT-4515QHDN | TK822001 | Crane Carrier | TK822001 |
| TA291A | Spicer | KIT-8000HD | TK822003 | Crane Carrier | TK822003 |
| TA341A | Dana | MKT-4515XHD | TK822004 | Crane Carrier | TK822004 |
| TA341A | Spicer | MKT-4515XHD | TK822007 | Crane Carrier | TK822007 |
| TA38A | Dana | MKT-4515U | TK822008 | Crane Carrier | TK822008 |
| TA38A | Spicer | R508015 | TK822009 | Crane Carrier | TK822009 |
| TA40A | Dana | R507000 | TP 1897 | Transit Parts | 1205-Q-2123 |
| TA41A | Dana | R507005 | TP1115 | Transit Parts | R001251 |
| TA42A | Dana | R507014 | TP1116 | Transit Parts | R001252 |
| TA43A | Dana | R507015 | TP1117 | Transit Parts | 1227-B-678 |
| TA44A | Spicer | R508004 | TP1159 | Transit Parts | 1229-B-1848 |
| TA511A | Dana | MKT-1308T | TP1159 | Transit Parts | 1229-G-2971 |
| TA511A | Spicer | R509094 | TP1160 | Transit Parts | R587001 |
| TA51A | Dana | KIT-1125 | TP1166 | Transit Parts | R607033 |
| TA51A | Spicer | R509095 | TP1167 | Transit Parts | R607034 |
| TA54A | Dana | R507004 | TP1170 | Transit Parts | 2258-Z-416 |
| TA54A | Spicer | R507004 | TP1187A | Transit Parts | R657003 |
| TA55A | Dana | MKT-1308Q | TP1191 | Transit Parts | R627017 |
| TA55A | Spicer | KIT-8029 | TP1193 | Transit Parts | R001561 |
| TA63A | Dana | R507057 | TP1194 | Transit Parts | R527002 |
| TA63A | Spicer | R507057 | TP1196 | Transit Parts | R607011 |
| TA64A | Dana | MKT-4515QHDN | TP1198 | Transit Parts | R607012 |
| TA66A | Dana | MKT-4702KT | TP1203 | Transit Parts | 2257-M-1001 |
| TA66A | Spicer | R508824 | TP1245 | Transit Parts | 2758-Q-43 |
| TA67A | Spicer | R507062 | TP1247 | Transit Parts | KIT-9020 |
| TA68A | Dana | KIT-9179 | TP1252 | Transit Parts | A-3722-B-340 |
| TA80A | Dana | KIT-8027 | TP1253 | Transit Parts | A-3222-F-838 |
| TA81A | Dana | KIT-8081 | TP1254 | Transit Parts | A-3222-D-784 |
| TA81A | Spicer | R508053 | TP1274 | Transit Parts | KIT-1105B |
| TA82A | Dana | KIT-8026HD | TP1274/1275 | Transit Parts | KIT-1105B |
| TK4 | Sirco Brake | MKT-4515P | TP1275 | Transit Parts | KIT-1105B |
| TK4 | Sirco Brake | R509000 | TP1280 | Transit Parts | 2258-X-544 |
| TK4 | Sirco Brake | R509000 | TP1295 | Transit Parts | R700321 |
| TK4HD | Sirco Brake | KIT-9001 | TP1296 | Transit Parts | A-3722A-339 |
| TK4HD | Sirco Brake | R509001 | TP1297 | Transit Parts | R700322 |

CROSS REFERENCE

| PART# | COMPETITOR | MERITOR# | PART# | COMPETITOR | MERITOR# |
|---------|---------------|-----------------|---------|----------------------|--------------|
| TP1400 | Transit Parts | R607019 | TP1700L | Transit Parts | R005763L |
| TP1402 | Transit Parts | R607020 | TP1700R | Transit Parts | R005763R |
| TP1407 | Transit Parts | R823008 | TP1701L | Transit Parts | R005765L |
| TP1429 | Transit Parts | 1205-N-924 | TP1701R | Transit Parts | R005765R |
| TP1433 | Transit Parts | R547005 | TP1703L | Transit Parts | R005756L |
| TP144 | Transit Parts | R567007 | TP1703R | Transit Parts | R005756R |
| TP1460 | Transit Parts | R607005 | TP1704L | Transit Parts | R005766L |
| TP1461 | Transit Parts | R607006 | TP1704R | Transit Parts | R005766R |
| TP1462 | Transit Parts | R607007 | TP1706 | Transit Parts | R005751 |
| TP1463 | Transit Parts | R607008 | TP1724L | Transit Parts | R005908L |
| TP1464 | Transit Parts | R607009 | TP1724R | National Wheel & Rim | R005908R |
| TP1465 | Transit Parts | R607010 | TP1724R | Transit Parts | R005908R |
| TP1471 | Transit Parts | R567003 | TP173 | Transit Parts | R823001 |
| TP1474 | Transit Parts | R627008 | TP1736 | Transit Parts | KIT-1129 |
| TP1481 | Transit Parts | R627001 | TP174 | Transit Parts | R823000 |
| TP1484 | Transit Parts | A2-3105-G-1151 | TP1744 | Transit Parts | R567005 |
| TP1485 | Transit Parts | 1205-X-726 | TP1745 | Transit Parts | R577001 |
| TP1485 | Transit Parts | R627019 | TP1748 | Transit Parts | 1205-M-1105 |
| TP1488 | Transit Parts | R517002 | TP1748 | Transit Parts | R627018 |
| TP1493 | Transit Parts | R617005 | TP1749 | Transit Parts | R700400 |
| TP1497 | Transit Parts | R567002 | TP175 | Transit Parts | R607064 |
| TP1498 | Transit Parts | R617007 | TP1750 | Transit Parts | R700401 |
| TP1511L | Transit Parts | R007896L | TP1751 | Transit Parts | 1225-B-496 |
| TP1511R | Transit Parts | R007896R | TP1752 | Transit Parts | R607091 |
| TP153 | Transit Parts | R627014 | TP1753 | Transit Parts | R607092 |
| TP1532 | Transit Parts | 1259-N-274 | TP176 | Transit Parts | R607063 |
| TP1533 | Transit Parts | 2258-U-619 | TP1761 | Transit Parts | R823002 |
| TP1534 | Transit Parts | 2258-Q-615 | TP1762 | Transit Parts | R700346 |
| TP1535 | Transit Parts | A-3222-S-1293 | TP1765 | Transit Parts | R700381 |
| TP1535 | Transit Parts | A91-3222-S-1293 | TP177 | Transit Parts | 2210-H-2946 |
| TP1543 | Transit Parts | R517508 | TP1775 | Transit Parts | A-3722-T-358 |
| TP1545 | Transit Parts | R567006 | TP1777 | Transit Parts | 2758-W-127 |
| TP1546 | Transit Parts | R567502 | TP1779 | Transit Parts | 2258-P-354 |
| TP1553 | Transit Parts | R527001 | TP178 | Transit Parts | 2210-J-2948 |
| TP1556 | Transit Parts | R617001 | TP1783 | Transit Parts | R002237 |
| TP1567 | Transit Parts | R607018 | TP1787 | Transit Parts | 1225-R-1058 |
| TP1568 | Transit Parts | R607017 | TP1790 | Transit Parts | KIT-1128 |
| TP1576 | Transit Parts | R002128 | TP1792 | Transit Parts | R607031 |
| TP158 | Transit Parts | 2210-F-5726 | TP1793 | Transit Parts | R607032 |
| TP158 | Transit Parts | R607028 | TP1796 | Transit Parts | KIT-9034 |
| TP159 | Transit Parts | 2210-E-5725 | TP1799 | Transit Parts | R537001 |
| TP1592 | Transit Parts | R4311 | TP1841 | Transit Parts | R517004 |
| TP1593 | Transit Parts | R607015 | TP1844 | Transit Parts | R617002 |
| TP1594 | Transit Parts | R607016 | TP1848 | Transit Parts | R527003 |
| TP1595 | Transit Parts | R627006 | TP1876 | Transit Parts | MKT-4311EHDN |
| TP1597 | Transit Parts | R607071 | TP1877 | Transit Parts | MKT-4515QN |
| TP1598 | Transit Parts | R607072 | TP1879 | Transit Parts | KIT-9063 |
| TP160 | Transit Parts | R607074 | TP1879 | Transit Parts | R509063 |
| TP161 | Transit Parts | R607073 | TP1883 | Transit Parts | R507015 |
| TP161 | Transit Parts | R607073S | TP1887 | Transit Parts | MKT-4515P |
| TP1633 | Transit Parts | R615001 | TP1887 | Transit Parts | R509000 |
| TP1635 | Transit Parts | R615005 | TP1888 | Transit Parts | KIT-9001 |
| TP1638 | Transit Parts | R615003 | TP1888 | Transit Parts | R509001 |
| TP1640 | Transit Parts | R615002 | TP1889 | Transit Parts | R507001 |
| TP1641 | Transit Parts | KIT-9078 | TP1890 | Transit Parts | R507014 |
| TP1643 | Transit Parts | KIT-9037 | TP1896 | Transit Parts | 1229-X-3118 |
| TP1644 | Transit Parts | R615006 | TP1898 | Transit Parts | 1225-B-834 |
| TP1647 | Transit Parts | R607093 | TP1899 | Transit Parts | 1225-A-833 |
| TP1647 | Transit Parts | R607093 | TP1900 | Transit Parts | 1205-V-1452 |
| TP1648 | Transit Parts | R607094 | TP1901 | Transit Parts | 2210-Q-8155 |
| TP1648 | Transit Parts | R607094 | TP1902 | Transit Parts | 2210-R-8156 |

CROSS REFERENCE

| PART# | COMPETITOR | MERITOR# | PART# | COMPETITOR | MERITOR# |
|--------------|-------------------|-----------------|--------------|-------------------|-----------------|
| TP1905 | Transit Parts | A1-3222-R-1916 | TP3044 | Transit Parts | 2210-T-8158 |
| TP1906 | Transit Parts | R704591 | TP3045 | Transit Parts | 2210-U-8159 |
| TP1938 | Transit Parts | 1229-H-476 | TP3046 | Transit Parts | 2210-V-8160 |
| TP1941 | Transit Parts | R002464 | TP3049 | Transit Parts | R607069 |
| TP1943 | Transit Parts | R002468 | TP3050 | Transit Parts | R607070 |
| TP1946 | Transit Parts | 1259-R-252 | TP3051 | Transit Parts | R607067 |
| TP1947 | Transit Parts | R002467 | TP3052 | Transit Parts | R607068 |
| TP1948 | Transit Parts | 1259-Q-251 | TP3064 | Transit Parts | R607023 |
| TP1957 | Transit Parts | R607035 | TP3065 | Transit Parts | R607024 |
| TP1958 | Transit Parts | R607036 | TP3066 | Transit Parts | R607025 |
| TP1959 | Transit Parts | R607029 | TP3067 | Transit Parts | R607026 |
| TP1960 | Transit Parts | R607030 | TP3071 | Transit Parts | R617006 |
| TP1970 | Transit Parts | R002296 | TP3072 | Transit Parts | R627015 |
| TP1971 | Transit Parts | R002297 | TP3087 | Transit Parts | KIT-1416 |
| TP1972 | Transit Parts | R002298 | TP3088 | Transit Parts | 1229-C-1693 |
| TP1973 | Transit Parts | R002299 | TP3092 | Transit Parts | R607047 |
| TP1974 | Transit Parts | 1227-F-162 | TP3093 | Transit Parts | R607048 |
| TP1975 | Transit Parts | R002301 | TP323 | Transit Parts | R607089 |
| TP1976 | Transit Parts | 1229-H-1568 | TP324 | Transit Parts | R607090 |
| TP1977 | Transit Parts | R002303 | TP325 | Transit Parts | R607075 |
| TP1978 | Transit Parts | R002305 | TP326 | Transit Parts | R607076 |
| TP1979 | Transit Parts | R002304 | TP327 | Transit Parts | R607050 |
| TP1981 | Transit Parts | 1227-S-1527 | TP328 | Transit Parts | R607049 |
| TP1982 | Transit Parts | 1227-D-108 | TP342 | Transit Parts | A-1205-S-1943 |
| TP1984 | Transit Parts | 1229-J-478 | TP387 | Transit Parts | 1225-U-827 |
| TP1985 | Transit Parts | 1227-U-515 | TP4000L | Transit Parts | R005907L |
| TP1986 | Transit Parts | 1227-D-446 | TP4000R | Transit Parts | R005907R |
| TP1987 | Transit Parts | 1229-C-1459 | TP4002L | Transit Parts | R005909L |
| TP1988 | Transit Parts | 1227-T-540 | TP4002R | Transit Parts | R005909R |
| TP1990 | Transit Parts | 1229-G-1021 | TP4003L | Transit Parts | R005871L |
| TP1991 | Transit Parts | 1227-V-516 | TP4003R | Transit Parts | R005871R |
| TP1992 | Transit Parts | 1227-H-346 | TP4004L | Transit Parts | R005910L |
| TP1993 | Transit Parts | 1229-R-1058 | TP4004R | Transit Parts | R005910R |
| TP1994 | Transit Parts | 1227-A-547 | TP4005L | Transit Parts | R005911L |
| TP1995 | Transit Parts | 1227-P-328 | TP4005R | Transit Parts | R005911R |
| TP1996 | Transit Parts | 1229-V-48 | TP4006L | Transit Parts | R005923L |
| TP1997 | Transit Parts | R002462 | TP4006R | Transit Parts | R005923R |
| TP1998 | Transit Parts | R002461 | TP4007L | Transit Parts | R005916L |
| TP2038 | Transit Parts | R607077 | TP4007R | Transit Parts | R005916R |
| TP2039 | Transit Parts | R607078 | TP4008L | Transit Parts | R005924L |
| TP2065 | Transit Parts | 1779-J-114 | TP4008R | Transit Parts | R005924R |
| TP2065 1/2 | Transit Parts | 1779-D-134 | TP4009L | Transit Parts | R005918L |
| TP2065 1/4 | Transit Parts | 1779-B-132 | TP4009R | Transit Parts | R005918R |
| TP2065 1/8 | Transit Parts | 1779-A-131 | TP401 | Transit Parts | 1259-Q-251 |
| TP20651/2 | Transit Parts | 1779-D-134 | TP4011L | Transit Parts | R005920L |
| TP20651/4 | Transit Parts | 1779-B-132 | TP4011R | Transit Parts | R005920R |
| TP20651/8 | Transit Parts | 1779-A-131 | TP4012L | Transit Parts | R005898L |
| TP2084 | Transit Parts | 1779-L-116 | TP4012R | Transit Parts | R005898R |
| TP2086 | Transit Parts | 2258-J-1440 | TP4013L | Transit Parts | R005899L |
| TP2087 | Transit Parts | 2258-J-400 | TP4013R | Transit Parts | R005899R |
| TP2087 | Transit Parts | 2258-S-643 | TP4014L | Transit Parts | R005897L |
| TP234 | Transit Parts | R823005 | TP4014R | Transit Parts | R005897R |
| TP245 | Transit Parts | R537003 | TP4015L | Transit Parts | R005921L |
| TP275 | Transit Parts | R567004 | TP4015R | Transit Parts | R005921R |
| TP296 | Transit Parts | R607003 | TP4016L | Transit Parts | R005922L |
| TP297 | Transit Parts | R607004 | TP4016R | Transit Parts | R005922R |
| TP300 | Transit Parts | R607041 | TP4017L | Transit Parts | R005929L |
| TP301 | Transit Parts | R607042 | TP4017R | Transit Parts | R005929R |
| TP302 | Transit Parts | R607001 | TP4018L | Transit Parts | R005930L |
| TP303 | Transit Parts | R607002 | TP4018R | Transit Parts | R005930R |
| TP3043 | Transit Parts | 2210-S-8157 | TP4019L | Transit Parts | R005931L |

CROSS REFERENCE

| PART# | COMPETITOR | MERITOR# | PART# | COMPETITOR | MERITOR# |
|-----------|---------------|-------------|---------|---------------|-----------------|
| TP4019R | Transit Parts | R005931R | TP4326R | Transit Parts | R001623L |
| TP402 | Transit Parts | 1259-U-151 | TP434 | Transit Parts | 2258-K-349 |
| TP4020L | Transit Parts | R005932L | TP436 | Transit Parts | 2258-P-354 |
| TP4020R | Transit Parts | R005932R | TP441 | Transit Parts | 1225-F-266 |
| TP4021L | Transit Parts | R005933L | TP4600L | Transit Parts | R006060L |
| TP4021R | Transit Parts | R005933R | TP4600R | Transit Parts | R006060R |
| TP4022L | Transit Parts | R005934L | TP4602L | Transit Parts | R005863L |
| TP4022R | Transit Parts | R005934R | TP4602R | Transit Parts | R005863R |
| TP4023L | Transit Parts | R005896L | TP4603L | Transit Parts | R005577L |
| TP4023R | Transit Parts | R005896R | TP4603R | Transit Parts | R005577R |
| TP4024L | Transit Parts | R005983L | TP465 | Transit Parts | 1229-G-709 |
| TP4024R | Transit Parts | R005983R | TP469 | Transit Parts | 1229-Z-1118 |
| TP4025L | Transit Parts | R005900L | TP4700 | Transit Parts | R005944 |
| TP4025R | Transit Parts | R005900R | TP4707 | Transit Parts | R005796 |
| TP4026L | Transit Parts | R005984L | TP4709 | Transit Parts | R005798 |
| TP403 | Transit Parts | 2297-T-7222 | TP4711 | Transit Parts | R005799 |
| TP403 1/2 | Transit Parts | 1779-E-83 | TP4718 | Transit Parts | 4-X-1613 |
| TP403 1/4 | Transit Parts | 1779-D-82 | TP4720 | Transit Parts | R005947 |
| TP403 1/8 | Transit Parts | 1779-C-81 | TP4722 | Transit Parts | R004953 |
| TP4031/2 | Transit Parts | 1779-E-83 | TP4723 | Transit Parts | R005872 |
| TP4031/4 | Transit Parts | 1779-D-82 | TP4725 | Transit Parts | R005955 |
| TP4031/8 | Transit Parts | 1779-C-81 | TP4727 | Transit Parts | R005802 |
| TP40314 | Transit Parts | 1779-D-82 | TP473 | Transit Parts | R000573 |
| TP40318 | Transit Parts | 1779-C-81 | TP476 | Transit Parts | 1229-Q-771 |
| TP4039R | Transit Parts | R005612R | TP477 | Transit Parts | 1229-R-122 |
| TP4083L | Transit Parts | R005869L | TP479 | Transit Parts | 1229-J-868 |
| TP4083R | Transit Parts | R005869R | TP483 | Transit Parts | 1225-L-1208 |
| TP4084L | Transit Parts | R005870L | TP4842 | Transit Parts | R627009 |
| TP4084R | Transit Parts | R005870R | TP485 | Transit Parts | R617008 |
| TP4087L | Transit Parts | R008994L | TP486 | Transit Parts | 1205-K-193 |
| TP4087R | Transit Parts | R008994R | TP487 | Transit Parts | 5-X-640 |
| TP4090L | Transit Parts | R008992L | TP489 | Transit Parts | R000540 |
| TP4090R | Transit Parts | R008992R | TP490 | Transit Parts | R000572 |
| TP4093L | Transit Parts | R008999L | TP500 | Transit Parts | R517509 |
| TP4093R | Transit Parts | R008999R | TP501 | Transit Parts | R517006 |
| TP4094R | Transit Parts | 20-X-408Z | TP507 | Transit Parts | R607081 |
| TP4095L | Transit Parts | R005987L | TP508 | Transit Parts | R607082 |
| TP4095R | Transit Parts | R005987R | TP548 | Transit Parts | 2210-Z-6318 |
| TP4108L | Transit Parts | R005868L | TP549 | Transit Parts | 2210-A-6319 |
| TP4108R | Transit Parts | R005868R | TP552 | Transit Parts | 2210-X-6316 |
| TP4111L | Transit Parts | R005982L | TP553 | Transit Parts | 2210-Y-6317 |
| TP4111R | Transit Parts | R005982R | TP563 | Transit Parts | R617001 |
| TP4113L | Transit Parts | R008996L | TP578 | Transit Parts | 1229-G-1463 |
| TP4113R | Transit Parts | R008996R | TP578 | Transit Parts | 1229-L-844 |
| TP4129L | Transit Parts | R005875L | TP579 | Transit Parts | 1225-R-512 |
| TP4129R | Transit Parts | R005875R | TP582 | Transit Parts | A-1205-V-1556 |
| TP4183L | Transit Parts | R005935L | TP583 | Transit Parts | R607083 |
| TP4183R | Transit Parts | R005935R | TP584 | Transit Parts | R607084 |
| TP4184L | Transit Parts | R005936L | TP586 | Transit Parts | 1225-U-151 |
| TP4184R | Transit Parts | R005936R | TP588 | Transit Parts | A-3722-L-64 |
| TP4185L | Transit Parts | R005937L | TP589 | Transit Parts | A-3722-N-66 |
| TP4185R | Transit Parts | R005937R | TP591 | Transit Parts | A25-3222-D-1954 |
| TP422 | Transit Parts | 1718-Y-103 | TP592 | Transit Parts | R607051 |
| TP4222 | Transit Parts | 3105-B-210 | TP593 | Transit Parts | R607052 |
| TP423 | Transit Parts | 1229-T-3166 | TP596 | Transit Parts | R617003 |
| TP426 | Transit Parts | 1225-N-352 | TP610 | Transit Parts | 1229-M-559 |
| TP4288 | Transit Parts | R002650 | TP629 | Transit Parts | 2258-V-256 |
| TP4310L | Transit Parts | R008946L | TP645 | Transit Parts | 1218-G-85 |
| TP4310R | Transit Parts | R008946R | TP650 | Transit Parts | A1-3236A-1249 |
| TP432 | Transit Parts | 2258-B-288 | TP666 | Transit Parts | R000943 |
| TP4326L | Transit Parts | R001623R | TP667 | Transit Parts | R000943 |

CROSS REFERENCE

| PART# | COMPETITOR | MERITOR# | PART# | COMPETITOR | MERITOR# |
|--------------|-------------------|-----------------|--------------|-------------------|-----------------|
| TP676 | Transit Parts | A-3222-A-1717 | TP820R | Transit Parts | R004965R |
| TP681 | Transit Parts | 1229-X-1116 | TP821L | Transit Parts | R004966L |
| TP701L | Transit Parts | R007895L | TP821R | Transit Parts | R004966R |
| TP701R | Transit Parts | R007895R | TP822L | Transit Parts | R004967L |
| TP702L | Transit Parts | R005652L | TP822R | Transit Parts | R004967R |
| TP702R | Transit Parts | R005652R | TP824L | Transit Parts | R005560L |
| TP703L | Transit Parts | R005977L | TP824R | Transit Parts | R005560R |
| TP703R | Transit Parts | R005977R | TP825L | Transit Parts | R005551L |
| TP704L | Transit Parts | R005988L | TP825R | Transit Parts | R005551R |
| TP704R | Transit Parts | R005988R | TP826L | Transit Parts | R005553L |
| TP708L | Transit Parts | R004975L | TP826R | Transit Parts | R005553R |
| TP708R | Transit Parts | R004975R | TP827L | Transit Parts | R005559L |
| TP714 | Transit Parts | R004962 | TP827R | Transit Parts | R005559R |
| TP715 | Transit Parts | R004963 | TP828L | Transit Parts | R005556L |
| TP724 | Transit Parts | R004962 | TP828R | Transit Parts | R005556R |
| TP726L | Transit Parts | R007897L | TP829L | Transit Parts | R005557L |
| TP726R | Transit Parts | R007897R | TP829R | Transit Parts | R005557R |
| TP727L | Transit Parts | R007898L | TP8301 | Transit Parts | 1229-P-302 |
| TP727R | Transit Parts | R007898R | TP8306 | Transit Parts | 1199-A-3745 |
| TP729L | Transit Parts | R005576L | TP8307 | Transit Parts | A-3222-P-1082 |
| TP729R | Transit Parts | R005576R | TP8307 | Transit Parts | A-3222-P-1082 |
| TP730L | Transit Parts | R005578L | TP8308 | Transit Parts | 2258-G-579 |
| TP730R | Transit Parts | R005578R | TP8309 | Transit Parts | 1259-B-262 |
| TP731L | Transit Parts | R005579L | TP830L | Transit Parts | R005558L |
| TP731R | Transit Parts | R005579R | TP830R | Transit Parts | R005558R |
| TP738 | Transit Parts | R005704 | TP8310 | Transit Parts | 1229-V-1556 |
| TP740 | Transit Parts | R005737 | TP8311 | Transit Parts | 1229-B-236 |
| TP743 | Transit Parts | R005740 | TP8312 | Transit Parts | A-1205-P-1602 |
| TP745 | Transit Parts | R005743 | TP8314 | Transit Parts | 1225-M-897 |
| TP748 | Transit Parts | R005957 | TP831L | Transit Parts | R005560L |
| TP749 | Transit Parts | R005960 | TP831R | Transit Parts | R005560R |
| TP750 | Transit Parts | R005711 | TP832L | Transit Parts | R005561L |
| TP751 | Transit Parts | R004963 | TP832R | Transit Parts | R005561R |
| TP757L | Transit Parts | R005618L | TP833L | Transit Parts | R005562L |
| TP757R | Transit Parts | R005618R | TP833R | Transit Parts | R005562R |
| TP758 | Transit Parts | R005761 | TP838L | Transit Parts | R005935L |
| TP768L | Transit Parts | R008942L | TP838R | Transit Parts | R005935R |
| TP768R | Transit Parts | R008942R | TP839L | Transit Parts | R005936L |
| TP771L | Transit Parts | R005758L | TP839R | Transit Parts | R005936R |
| TP771R | Transit Parts | R005758R | TP840L | Transit Parts | R003723L |
| TP776 | Transit Parts | R005682 | TP840R | Transit Parts | R003723R |
| TP777 | Transit Parts | R005683 | TP8414 | Transit Parts | R700455 |
| TP780 | Transit Parts | R001902 | TP841L | Transit Parts | R005937L |
| TP789L | Transit Parts | R005749L | TP841R | Transit Parts | R005937R |
| TP789R | Transit Parts | R005749R | TP8421 | Transit Parts | R700458 |
| TP790L | Transit Parts | R005748L | TP8428 | Transit Parts | R704595 |
| TP790R | Transit Parts | R005748R | TP8429 | Transit Parts | R627012 |
| TP793L | Transit Parts | R005750L | TP842L | Transit Parts | R005990L |
| TP793R | Transit Parts | R005750R | TP842R | Transit Parts | R005990R |
| TP794L | Transit Parts | R005985L | TP8433 | Transit Parts | A1-3236-Q-2123 |
| TP794R | Transit Parts | R005985R | TP8440 | Transit Parts | 1229-X-2936 |
| TP796L | Transit Parts | R005722L | TP8441 | Transit Parts | 1229-S-2697 |
| TP796R | Transit Parts | R005722R | TP8442 | Transit Parts | 1229-Q-2851 |
| TP798L | Transit Parts | R005721L | TP8444 | Transit Parts | A-3222-K-1103 |
| TP798R | Transit Parts | R005721R | TP8445 | Transit Parts | A-3222-F-1072 |
| TP8101 | Transit Parts | 1225-X-804 | TP8446 | Transit Parts | A-3722-B-80 |
| TP814 | Transit Parts | R004958 | TP8447 | Transit Parts | A-3722-D-82 |
| TP815 | Transit Parts | R004956A | TP8448 | Transit Parts | A-3222-R-1422 |
| TP816 | Transit Parts | R004957 | TP8455 | Transit Parts | A-3222-E-1383 |
| TP819R | Transit Parts | R004964R | TP8462 | Transit Parts | R4551Q |
| TP820L | Transit Parts | R004965L | TP8463 | Transit Parts | A-3222-D-1356 |

CROSS REFERENCE

| PART# | COMPETITOR | MERITOR# | PART# | COMPETITOR | MERITOR# |
|--------|---------------|-----------------|---------|----------------|---------------|
| TP8464 | Transit Parts | A-3722-N-66 | TP8680 | Transit Parts | R607045 |
| TP8465 | Transit Parts | KIT-9403 | TP8681 | Transit Parts | R607046 |
| TP8469 | Transit Parts | A1-3236-Q-2123 | TP8684 | Transit Parts | R607037 |
| TP8470 | Transit Parts | 1199-U-3765 | TP8685 | Transit Parts | R607038 |
| TP8473 | Transit Parts | R537005 | TP868L | Transit Parts | R005589L |
| TP8479 | Transit Parts | A-3736-W-907 | TP868R | Transit Parts | R005589R |
| TP8482 | Transit Parts | R824012 | TP869L | Transit Parts | R005718L |
| TP8487 | Transit Parts | R823003 | TP869R | Transit Parts | R005718R |
| TP8503 | Transit Parts | R607095 | TP870L | Transit Parts | R005719L |
| TP8504 | Transit Parts | R607096 | TP870R | Transit Parts | R005719R |
| TP8521 | Transit Parts | 2210-G-5389 | TP871L | Transit Parts | R005720L |
| TP8522 | Transit Parts | 2210-H-5390 | TP871R | Transit Parts | R005720R |
| TP8523 | Transit Parts | 2210-W-5509 | TP872L | Transit Parts | R005713L |
| TP8524 | Transit Parts | 2210-X-5510 | TP872R | Transit Parts | R005713R |
| TP8528 | Transit Parts | 2210-H-7522 | TP873L | Transit Parts | R005714L |
| TP8529 | Transit Parts | 2210-J-7524 | TP873R | Transit Parts | R005714R |
| TP8530 | Transit Parts | 2210-V-7536 | TP874L | Transit Parts | R005715L |
| TP8531 | Transit Parts | 2210-W-7537 | TP874R | Transit Parts | R005715R |
| TP8532 | Transit Parts | 2210-H-7626 | TP897L | Transit Parts | R005757L |
| TP8533 | Transit Parts | 2210-J-7628 | TP897R | Transit Parts | R005757R |
| TP8534 | Transit Parts | 2210-D-7492 | TP899L | Transit Parts | R005585L |
| TP8535 | Transit Parts | 2210-E-7493 | TP899R | Transit Parts | R005585R |
| TP8542 | Transit Parts | 2210-B-5410 | TP900 | Transit Parts | R005570 |
| TP8543 | Transit Parts | 2210-A-5409 | TP901 | Transit Parts | R005571AG |
| TP8547 | Transit Parts | 2210-E-5803 | TP902 | Transit Parts | R005572AG |
| TP8551 | Transit Parts | KIT-970 | TP903 | Transit Parts | R005824 |
| TP8552 | Transit Parts | KIT-8048 | TP905 | Transit Parts | R005826 |
| TP8554 | Transit Parts | R615008 | TP908 | Transit Parts | R005745G |
| TP8555 | Transit Parts | R615000 | TP910 | Transit Parts | R005785G |
| TP8558 | Transit Parts | R615004 | TP913 | Transit Parts | R005821G |
| TP8559 | Transit Parts | A-3222-N-1496 | TP920 | Transit Parts | R005044 |
| TP8560 | Transit Parts | R507000 | TP921 | Transit Parts | R005045 |
| TP8561 | Transit Parts | R507005 | TP922 | Transit Parts | R005040AG |
| TP8567 | Transit Parts | R4515F3 | TP926 | Transit Parts | R005786G |
| TP8569 | Transit Parts | KIT-8000MB-BULK | TP928 | Transit Parts | R005784G |
| TP8575 | Transit Parts | MKT-4515QHDN | TP934 | Transit Parts | R005927G |
| TP8577 | Transit Parts | KIT-8040 | TP937 | Transit Parts | R005747 |
| TP8588 | Transit Parts | 2210-Z-7670 | TP939 | Transit Parts | R005837 |
| TP8589 | Transit Parts | 2210-A-7671 | TP943 | Transit Parts | R005055 |
| TP859L | Transit Parts | R004988L | TP945 | Transit Parts | R005035 |
| TP859R | Transit Parts | R004988R | TP950 | Transit Parts | R005760 |
| TP861 | Transit Parts | R004990A | TP954 | Transit Parts | R005041 |
| TP8614 | Transit Parts | R607087 | TP977 | Transit Parts | R005890 |
| TP8615 | Transit Parts | R607088 | TP981 | Transit Parts | R005827G |
| TP8616 | Transit Parts | R607079 | TP982 | Transit Parts | R005828G |
| TP8617 | Transit Parts | R607080 | TP983 | Transit Parts | R005829G |
| TP8618 | Transit Parts | 2210-M-5421 | TP987 | Transit Parts | R005953G |
| TP8619 | Transit Parts | 2210-N-5422 | TP990 | Transit Parts | R005902G |
| TP8620 | Transit Parts | R607097 | UB1126 | Standard Forge | R627022 |
| TP8621 | Transit Parts | R607098 | UB1165 | Standard Forge | A1-3236A-1249 |
| TP8624 | Transit Parts | 2210-T-7586 | UB1172 | Standard Forge | A1-3236A-1249 |
| TP8625 | Transit Parts | 2210-U-7587 | UB2223L | Standard Forge | R607008 |
| TP8626 | Transit Parts | 2210-Z-7514 | UB2223R | Standard Forge | R607007 |
| TP8627 | Transit Parts | 2210-A-7515 | UB2264L | Standard Forge | R607006 |
| TP8628 | Transit Parts | 2210-P-7426 | UB2264R | Standard Forge | R607005 |
| TP8629 | Transit Parts | 2210-Q-7427 | UB2304 | Standard Forge | R547013 |
| TP8630 | Transit Parts | 2210-X-7408 | UB2415L | Standard Forge | R607010 |
| TP8631 | Transit Parts | 2210-Y-7409 | UB2415R | Standard Forge | R607009 |
| TP864 | Transit Parts | R005012 | UB30031 | Standard Forge | R547013 |
| TP8640 | Transit Parts | 2210-D-6166 | UB3012 | Standard Forge | R547015 |
| TP8641 | Transit Parts | 2210-C-6165 | UB5102 | Standard Forge | A1-3236A-1249 |

CROSS REFERENCE

| PART# | COMPETITOR | MERITOR# | PART# | COMPETITOR | MERITOR# |
|--------|----------------------|------------|--------|------------|-------------|
| UBS12 | UBS | R507015 | W12 | Leland | R007895L |
| W1 | Leland | R005570 | W120 | Leland | R005040AG |
| W101 | Leland | R004988R | W1203L | Gunite | R008985L |
| W102 | Leland | R004988L | W1203R | Gunite | R008985R |
| W103 | Great Lakes | R005784G | W1205 | Gunite | R008986 |
| W103 | Leland | R005588R | W1211 | Gunite | R008987 |
| W1032L | Gunite | R002430L | W122 | Leland | R005554R |
| W1032R | Gunite | R002430R | W123 | Leland | R005554L |
| W104 | Great Lakes | R005785G | W1234 | Gunite | R0010675 |
| W104 | Leland | R005588L | W124 | Leland | R005927G |
| W104 | National Wheel & Rim | R005785G | W1246 | Gunite | R008988 |
| W1049L | Gunite | R005589L | W1249 | Gunite | R0010676 |
| W105 | Leland | R005988R | W126 | Leland | R005587L |
| W1059L | Gunite | R001127L | W13 | Leland | 1199-N-118 |
| W1059R | Gunite | R001127R | W13 | Leland | R005977R |
| W106 | Leland | R005548L | W1324 | Gunite | R0010675 |
| W1060L | Gunite | R008976L | W133 | Leland | R005041 |
| W1060R | Gunite | R008976R | W135 | Leland | R005747 |
| W1061L | Gunite | R008977L | W137 | Leland | R005574 |
| W1061R | Gunite | R008977R | W14 | Leland | 1199-M-117 |
| W1064L | Gunite | R0010206L | W14 | Leland | R005977L |
| W1064R | Gunite | R0010206R | W1403 | Gunite | R0010676 |
| W107 | Leland | R007897R | W144 | Leland | R005035 |
| W1073L | Gunite | R008978L | W15 | Flagg | R005652R |
| W1073R | Gunite | R008978R | W15 | Leland | R005652R |
| W108 | Leland | R007897L | W151 | Leland | R004957 |
| W109 | Leland | R005008 | W153 | Leland | R005745G |
| W1091R | Gunite | R0010202R | W154 | Leland | 1199-X-1350 |
| W11 | Leland | R007895R | W154 | Leland | R005576R |
| W110 | Leland | R004961A | W155 | Leland | R005576L |
| W1104L | Gunite | R008966L | W158 | Leland | R007896R |
| W1104R | Gunite | R008966R | W159 | Leland | R007896L |
| W1106L | Gunite | R001326L | W16 | Flagg | R005652L |
| W1106R | Gunite | R001326R | W16 | Leland | R005652L |
| W111 | Leland | R005007 | W160 | Leland | R007898R |
| W1118L | Gunite | R008972L | W161 | Leland | R007898L |
| W1118R | Gunite | R008972R | W165 | Leland | R005010 |
| W113 | Great Lakes | R005828G | W166 | Flagg | R005720R |
| W113 | Leland | R005578R | W166 | Leland | R005720R |
| W113 | National Wheel & Rim | R005828G | W167 | Flagg | R005720L |
| W1133L | Gunite | R008979L | W167 | Leland | R005720L |
| W1133R | Gunite | R008979R | W168 | Leland | R005718R |
| W114 | Great Lakes | R005829G | W169 | Leland | R005718L |
| W114 | Leland | R005578L | W17 | Leland | R004955 |
| W114 | National Wheel & Rim | R005829G | W170 | Leland | R005719R |
| W1148L | Gunite | R005898L | W171 | Leland | R005719L |
| W1148R | Gunite | R005898R | W180 | Leland | R005682 |
| W115 | Flagg | R005579R | W181 | Leland | R005683 |
| W115 | Leland | R005579R | W182 | Leland | R005734 |
| W116 | Flagg | R005579L | W183 | Leland | R005704 |
| W116 | Leland | R005579L | W184 | Flagg | R005829G |
| W1160 | Gunite | R008980 | W184 | Leland | R005829G |
| W1164 | Gunite | R008981 | W19 | Leland | R005712 |
| W1166L | Gunite | R008982L | W197 | Leland | R005760 |
| W1166R | Gunite | R008982R | W2 | Leland | R005045 |
| W117 | Leland | R005046 | W205 | Leland | R005713R |
| W1170L | Gunite | R008983L | W206 | Leland | R005713L |
| W1170R | Gunite | R008983R | W207 | Leland | R005714R |
| W119 | Leland | R005044 | W208 | Leland | R005714L |
| W1196 | Gunite | R0010676 | W209 | Leland | R005715R |
| W12 | Leland | 1199-K-115 | W21 | Leland | R005012 |

CROSS REFERENCE

| PART# | COMPETITOR | MERITOR# | PART# | COMPETITOR | MERITOR# |
|-------|----------------------|------------|-------|------------|-----------|
| W210 | Leland | R005715L | W266 | Leland | R005758R |
| W211 | Leland | R005716R | W266 | Leland | R005763R |
| W212 | Leland | R005716L | W267 | Leland | R005758L |
| W215 | Flagg | R005589R | W267 | Leland | R005763L |
| W215 | Leland | R005589R | W268 | Leland | R005758R |
| W216 | Flagg | R005589L | W268 | Leland | R005763R |
| W216 | Leland | R005589L | W269 | Leland | R005758L |
| W217 | Leland | R005875R | W269 | Leland | R005763L |
| W218 | Leland | R005875L | W27 | Leland | R004962 |
| W220 | Leland | R005761 | W270 | Leland | R005721R |
| W221 | Leland | R004963 | W271 | Leland | R005721L |
| W226 | Leland | R005824 | W272 | Leland | 20-X-1284 |
| W227 | Leland | R005825 | W272 | Leland | R005908R |
| W227 | National Wheel & Rim | R005747 | W273 | Leland | 20-X-1285 |
| W228 | Leland | R005863R | W273 | Leland | R005908L |
| W229 | Leland | R005863L | W274 | Flagg | R005871R |
| W230 | Leland | R004975R | W274 | Leland | R005871R |
| W231 | Leland | R004975L | W275 | Flagg | R005871L |
| W234 | Leland | R005708 | W275 | Leland | R005871L |
| W235 | Leland | 1199-R-616 | W276 | Flagg | R005896R |
| W235 | Leland | R005711 | W276 | Leland | R005896R |
| W236 | Flagg | R005765R | W277 | Flagg | R005896L |
| W236 | Leland | R005765R | W277 | Leland | R005896L |
| W237 | Flagg | R005765L | W278 | Leland | R005757R |
| W237 | Leland | R005765L | W279 | Flagg | R005757L |
| W238 | Leland | R005826 | W279 | Leland | R005757L |
| W24 | Leland | R005032 | W280 | Flagg | R005766R |
| W240 | Leland | R005748L | W280 | Leland | R005766R |
| W240 | National Wheel & Rim | R005837 | W281 | Flagg | R005766L |
| W241 | Leland | R005748R | W281 | Leland | R005766L |
| W242 | Leland | R005749L | W283 | Leland | R005764L |
| W242 | National Wheel & Rim | R005904AG | W284 | Leland | R005870R |
| W243 | Great Lakes | R005902G | W285 | Leland | R005870L |
| W243 | Leland | R005749R | W286 | Flagg | R005869R |
| W243 | National Wheel & Rim | R005902G | W286 | Leland | R005869R |
| W244 | Leland | R005750R | W287 | Flagg | R005869L |
| W245 | Leland | R005750L | W287 | Leland | R005869L |
| W245 | National Wheel & Rim | R005745G | W288 | Leland | R005868R |
| W246 | Flagg | R005706 | W289 | Leland | R005868L |
| W246 | Leland | R005706 | W290 | Leland | R005899R |
| W255 | Great Lakes | R005904AG | W291 | Leland | R005899L |
| W255 | Leland | R005837 | W292 | Leland | R005897R |
| W256 | Flagg | R005902G | W293 | Leland | R005897L |
| W256 | Leland | R005902G | W294 | Leland | R005898R |
| W257 | Leland | R005904AG | W295 | Leland | R005898L |
| W258 | Leland | R005905AG | W3 | Leland | R005571AG |
| W259 | Leland | R005906 | W300 | Leland | 20-X-460 |
| W260 | Leland | 20-X-1458 | W301 | Leland | 20-X-461 |
| W260 | Leland | R005923R | W302 | Leland | 20-X-88 |
| W261 | Leland | R005923L | W304 | Leland | R008942R |
| W262 | Leland | 20-X-1312 | W305 | Leland | R008942L |
| W262 | Leland | R005916R | W308 | Leland | R008943R |
| W263 | Leland | 20-X-1311 | W309 | Leland | R008943L |
| W263 | Great Lakes | R006053G | W312 | Leland | 20-X-468 |
| W263 | Leland | R005916L | W313 | Leland | 20-X-469 |
| W264 | Leland | 20-X-1464 | W314 | Flagg | R005922R |
| W264 | Flagg | R005924R | W314 | Leland | R005922R |
| W264 | Leland | R005924R | W315 | Flagg | R005922L |
| W265 | Leland | 20-X-1335 | W315 | Leland | R005922L |
| W265 | Flagg | R005924L | W316 | Leland | 20-X-1234 |
| W265 | Leland | R005924L | W316 | Leland | R005918R |

CROSS REFERENCE

| PART# | COMPETITOR | MERITOR# | PART# | COMPETITOR | MERITOR# |
|-------|------------|-----------|-------|------------|-------------|
| W317 | Leland | 20-X-1233 | W377 | Leland | R005984L |
| W317 | Leland | R005918L | W378 | Leland | R005909R |
| W320 | Leland | 20-X-1228 | W379 | Leland | R005909L |
| W320 | Leland | R005920R | W38 | Flagg | R005556R |
| W321 | Leland | 20-X-1227 | W38 | Leland | R005556R |
| W321 | Leland | R005920L | W380 | Flagg | R005987R |
| W322 | Leland | R003723R | W380 | Leland | R005987R |
| W323 | Leland | R003723L | W381 | Flagg | R005987L |
| W326 | Leland | 20-X-150 | W381 | Leland | R005987L |
| W329 | Leland | R003728L | W382 | Leland | 20-X-512 |
| W330 | Flagg | R009001R | W383 | Leland | 20-X-511 |
| W330 | Leland | R009001R | W389 | Leland | R005703 |
| W331 | Flagg | R009001L | W39 | Flagg | R005556L |
| W331 | Leland | R009001L | W39 | Leland | R005556L |
| W332 | Flagg | R001623R | W390 | Leland | R005776 |
| W332 | Leland | R001623R | W391 | Leland | R008992R |
| W333 | Flagg | R001623L | W392 | Leland | R008992L |
| W333 | Leland | R001623L | W393 | Flagg | R008993R |
| W334 | Leland | R001014R | W393 | Leland | R008993R |
| W335 | Leland | R001014L | W394 | Flagg | R008993L |
| W336 | Flagg | R005932R | W394 | Leland | R008993L |
| W336 | Leland | R005932R | W395 | Leland | R005910R |
| W337 | Flagg | R005932L | W396 | Flagg | R005910L |
| W337 | Leland | R005932L | W396 | Leland | R005910L |
| W338 | Leland | R005933R | W397 | Leland | R005911R |
| W339 | Leland | R005933L | W398 | Leland | R005911L |
| W342 | Leland | R005935R | W399 | Flagg | R005900R |
| W343 | Leland | R005935L | W399 | Leland | R005900R |
| W344 | Leland | R005936R | W4 | Leland | R005572AG |
| W345 | Leland | R005936L | W40 | Flagg | R005559R |
| W346 | Leland | R005937R | W40 | Leland | R005559R |
| W347 | Leland | R005937L | W400 | Flagg | R005900L |
| W348 | Leland | R001415R | W400 | Leland | R005900L |
| W349 | Leland | R001415L | W401 | Leland | R005618R |
| W354 | Leland | 20-X-368 | W402 | Leland | R005618L |
| W355 | Leland | 20-X-367 | W403 | Leland | R005786G |
| W358 | Leland | R005985R | W405 | Leland | R005784G |
| W359 | Leland | R005985L | W406 | Leland | R005785G |
| W36 | Leland | R005558R | W41 | Flagg | R005559L |
| W360 | Leland | 20-X-676 | W41 | Leland | R005559L |
| W361 | Leland | 20-X-675 | W416 | Flagg | R005890 |
| W362 | Leland | R008995R | W416 | Leland | R005890 |
| W363 | Leland | R008995L | W418 | Leland | R009023G |
| W364 | Flagg | R008996R | W42 | Flagg | R005561R |
| W364 | Leland | R008996R | W42 | Leland | R005561R |
| W365 | Flagg | R008996L | W420 | Leland | R005953G |
| W365 | Leland | R008996L | W424 | Leland | 1199-D-1200 |
| W366 | Leland | R008999R | W424 | Leland | R005577R |
| W367 | Leland | R008999L | W425 | Leland | 1199-E-1201 |
| W368 | Leland | 20-X-408Z | W425 | Leland | R005577L |
| W369 | Leland | 20-X-409Z | W426 | Leland | R006060R |
| W37 | Leland | R005558L | W427 | Leland | R006060L |
| W370 | Leland | R005722R | W428 | Leland | R004958 |
| W371 | Leland | R005722L | W43 | Flagg | R005561L |
| W372 | Leland | R005756R | W43 | Leland | R005561L |
| W373 | Leland | R005756L | W430 | Leland | R005726 |
| W374 | Leland | 20-X-1282 | W431 | Leland | R005728 |
| W374 | Leland | R005907R | W432 | Leland | R005729 |
| W375 | Leland | 20-X-1283 | W433 | Leland | R005702 |
| W375 | Leland | R005907L | W44 | Flagg | R005560R |
| W376 | Leland | 20-X-1976 | W44 | Leland | R005560R |

CROSS REFERENCE

| PART# | COMPETITOR | MERITOR# | PART# | COMPETITOR | MERITOR# |
|-------|-------------|-----------|-------|------------|-----------|
| W447 | Leland | R005055 | W504 | Flagg | R008949R |
| W449 | Flagg | R005783G | W504 | Leland | R008949R |
| W45 | Flagg | R005560L | W505 | Flagg | R008949L |
| W45 | Leland | R005560L | W505 | Leland | R008949L |
| W450 | Leland | R005828G | W506 | Leland | R005995R |
| W451 | Leland | R004961A | W507 | Leland | R005995L |
| W452 | Leland | R005612R | W508 | Leland | R005996R |
| W455 | Leland | R005717L | W509 | Leland | R005996L |
| W456 | Leland | R005885G | W51 | Flagg | R005553L |
| W458 | Leland | R005892 | W51 | Leland | R005553L |
| W459 | Leland | R005929R | W510 | Leland | R008972R |
| W46 | Flagg | R005551R | W511 | Leland | R008972L |
| W46 | Leland | R005551R | W512 | Leland | R008951R |
| W460 | Leland | R005929L | W513 | Leland | R008951L |
| W461 | Leland | R005930R | W514 | Leland | R005631 |
| W462 | Leland | R005930L | W515 | Leland | R005632 |
| W463 | Flagg | R005931R | W516 | Leland | R005990R |
| W463 | Leland | R005931R | W517 | Leland | R005990L |
| W464 | Flagg | R005931L | W518 | Leland | R008948R |
| W464 | Leland | R005931L | W519 | Leland | R008948L |
| W465 | Leland | R005934R | W52 | Leland | R005557R |
| W466 | Leland | R005934L | W520 | Leland | R005986R |
| W467 | Flagg | R005821G | W521 | Leland | R005986L |
| W467 | Leland | R005821G | W522 | Leland | R006026R |
| W47 | Flagg | R005551L | W523 | Leland | R006026L |
| W47 | Leland | R005551L | W525 | Leland | R009020 |
| W474 | Leland | R005710 | W526 | Leland | R006058R |
| W475 | Flagg | R005983R | W527 | Leland | R006058L |
| W475 | Leland | R005983R | W528 | Leland | R006059R |
| W476 | Flagg | R005983L | W529 | Leland | R006059L |
| W476 | Leland | R005983L | W53 | Leland | R005557L |
| W477 | Flagg | R005982R | W536 | Flagg | R005827G |
| W477 | Leland | R005982R | W536 | Leland | R005827G |
| W478 | Flagg | R005982L | W537 | Flagg | R005883 |
| W478 | Leland | R005982L | W537 | Leland | R005883 |
| W479 | Leland | R005822 | W54 | Leland | R005562R |
| W48 | Leland | R005585R | W540 | Leland | R005925 |
| W486 | Flagg | R005988R | W541 | Leland | R005571AG |
| W486 | Leland | R005988R | W542 | Leland | R006027R |
| W487 | Flagg | R005988L | W543 | Leland | R006027L |
| W487 | Leland | R005988L | W544 | Leland | R006036 |
| W489 | Leland | R005993 | W545 | Flagg | R006035 |
| W49 | Leland | R005585L | W545 | Flagg | R006035 |
| W491 | Leland | R005992A | W545 | Leland | R006035 |
| W492 | Flagg | R005991 | W546 | Leland | R006034 |
| W492 | Leland | R005991 | W547 | Leland | R006001 |
| W494 | Great Lakes | R006054G | W548 | Leland | R006057R |
| W494 | Leland | R006054G | W549 | Leland | R006057L |
| W495 | Leland | R005999 | W55 | Leland | R005562L |
| W496 | Leland | R005998 | W550 | Leland | R008990R |
| W497 | Flagg | R005997 | W551 | Leland | R008990L |
| W497 | Leland | R005997 | W554 | Leland | R005961 |
| W498 | Leland | R006000A | W555 | Leland | R005032 |
| W499 | Leland | 20-X-1928 | W557 | Leland | R005963 |
| W5 | Flagg | R004958 | W558 | Leland | R002002 |
| W5 | Leland | R004958 | W559 | Flagg | R005964 |
| W50 | Flagg | R005553R | W559 | Leland | R005964 |
| W50 | Leland | R005553R | W56 | Leland | R001011R |
| W500 | Leland | R005989R | W560 | Leland | R005018 |
| W501 | Leland | R005989L | W561 | Leland | R005969 |
| W504 | Flagg | R008949R | W562 | Leland | R005970 |

CROSS REFERENCE

| PART# | COMPETITOR | MERITOR# | PART# | COMPETITOR | MERITOR# |
|-------|------------|-----------|-------|----------------------|-----------|
| W563 | Leland | R005971 | W638 | Leland | R009002R |
| W564 | Leland | R005972 | W639 | Leland | R009002L |
| W565 | Leland | R006053G | W64 | Flagg | R004965R |
| W566 | Leland | R009024 | W64 | Leland | R004965R |
| W568 | Leland | R005841 | W642 | Leland | R0010214R |
| W57 | Leland | R001011L | W643 | Leland | R0010214L |
| W570 | Leland | R005904AG | W646 | Leland | R008955L |
| W572 | Leland | R005820 | W647 | Leland | R008955L |
| W575 | Flagg | R008947R | W648 | Leland | R0010206R |
| W575 | Leland | R008947R | W649 | Leland | R0010206L |
| W576 | Flagg | R008947L | W65 | Flagg | R004965L |
| W576 | Leland | R008947L | W65 | Leland | R004965L |
| W577 | Leland | R006028R | W652 | Leland | R0010202R |
| W578 | Leland | R006028L | W656 | Leland | R008980 |
| W579 | Leland | R006023R | W657 | Leland | R008981 |
| W580 | Leland | R006023L | W66 | Flagg | R004966R |
| W581 | Leland | R006024R | W66 | Leland | R004966R |
| W588 | Leland | R004979R | W661 | Leland | R009009 |
| W590 | Leland | R009022R | W662 | Leland | R0010225R |
| W591 | Leland | R009022L | W663 | Leland | R0010225L |
| W6 | Leland | R004956A | W664 | Flagg | R008982R |
| W60 | Leland | R005565R | W664 | Leland | R008982R |
| W600 | Leland | R002650 | W665 | Flagg | R008982L |
| W601 | Leland | R008964 | W665 | Leland | R008982L |
| W602 | Leland | R008965 | W669 | Leland | R0010676 |
| W603 | Leland | R008946R | W67 | Flagg | R004966L |
| W604 | Leland | R008946L | W67 | Leland | R004966L |
| W606 | Leland | R003723R | W672 | Leland | 20-X-490 |
| W607 | Leland | R003723L | W674 | Flagg | R008968R |
| W608 | Flagg | R008969R | W674 | Leland | R008968R |
| W608 | Leland | R008969R | W675 | Leland | R008968L |
| W609 | Flagg | R008969L | W676 | Leland | R008986 |
| W609 | Leland | R008969L | W677 | Leland | R008962 |
| W61 | Leland | R005565L | W678 | Leland | R008988 |
| W610 | Flagg | R008979R | W68 | Flagg | R004967R |
| W610 | Leland | R008979R | W68 | Great Lakes | R005953G |
| W611 | Flagg | R008979L | W68 | Leland | R004967R |
| W611 | Leland | R008979L | W68 | National Wheel & Rim | R005953G |
| W616 | Flagg | R007897R | W680 | Leland | R008983R |
| W616 | Leland | R007897R | W681 | Leland | R008983L |
| W617 | Flagg | R007897L | W682 | Leland | R008961 |
| W617 | Leland | R007897L | W686 | Leland | R009008R |
| W618 | Leland | R0010234 | W687 | Leland | R009008L |
| W619 | Leland | R0010235 | W688 | Leland | R008987 |
| W62 | Leland | R004964R | W69 | Flagg | R004967L |
| W620 | Flagg | R007896R | W69 | Leland | R004967L |
| W620 | Leland | R007896R | W7 | Flagg | R004962 |
| W621 | Flagg | R007896L | W7 | Leland | R004962 |
| W621 | Leland | R007896L | W70 | Flagg | R004968R |
| W626 | Leland | R008952R | W70 | Leland | R004968R |
| W627 | Leland | R008952L | W700 | Flagg | R009010R |
| W628 | Leland | R008954R | W700 | Leland | R009010R |
| W629 | Leland | R008954L | W701 | Flagg | R009010L |
| W630 | Leland | R009007 | W701 | Leland | R009010L |
| W631 | Leland | 20-X-2128 | W702 | Leland | R0010221 |
| W634 | Flagg | R008977R | W703 | Leland | R0010218 |
| W634 | Leland | R008977R | W706 | Flagg | R0010208R |
| W635 | Flagg | R008977L | W706 | Leland | R0010208R |
| W635 | Leland | R008977L | W707 | Leland | R0010208L |
| W636 | Leland | R008958R | W708 | Flagg | R0010219 |
| W637 | Leland | R008958L | W708 | Leland | R0010219 |

CROSS REFERENCE

| PART# | COMPETITOR | MERITOR# | PART# | COMPETITOR | MERITOR# |
|-------|----------------------|-----------|--------|----------------------|-----------|
| W71 | Leland | R004968L | W94 | Leland | R004949 |
| W714 | Leland | R009526 | W95 | Leland | R004950 |
| W716 | Leland | R0010215 | W96 | Leland | R004951 |
| W717 | Leland | R0010216 | W97 | Great Lakes | R005572AG |
| W718 | Leland | R0010220 | W97 | Leland | R004952 |
| W719 | Leland | R0010220 | W97 | National Wheel & Rim | R005572AG |
| W72 | Flagg | R004969R | W98 | Leland | R004953 |
| W72 | Leland | R004969R | W980L | Gunite | R008968L |
| W72 | National Wheel & Rim | R005824 | W980R | Gunite | R008968R |
| W720L | Gunite | R008972L | W981L | Gunite | R008969L |
| W720R | Gunite | R008972R | W981R | Gunite | R008969R |
| W722 | Leland | R0010254R | W988L | Gunite | R008972L |
| W723 | Leland | R0010254L | W988R | Gunite | R008972R |
| W724 | Flagg | R006033R | W992L | Gunite | R008979L |
| W725 | Flagg | R006033L | W992R | Gunite | R008979R |
| W728 | Leland | R0010209R | WF1 | Sirco Brake | R507073 |
| W729 | Leland | R0010209L | WP1 | Gunite | R004990A |
| W73 | Flagg | R004969L | WP1110 | Gunite | R005905AG |
| W73 | Leland | R004969L | WP1138 | Gunite | R005904AG |
| W730 | Flagg | R0010210R | WP147 | Gunite | R004956A |
| W730 | Leland | R0010210R | WP148 | Gunite | R004963 |
| W731 | Flagg | R0010210L | WP166 | Gunite | R005041 |
| W731 | Leland | R0010210L | WP174 | Gunite | R005800 |
| W734 | Leland | R009524R | WP177 | Gunite | R006001B |
| W735 | Leland | R009524L | WP2 | Gunite | R004962 |
| W736 | Leland | R009525R | WP202 | Gunite | R005706 |
| W737 | Leland | R009525L | WP267 | Gunite | R005747 |
| W74 | National Wheel & Rim | R005825 | WP28 | Gunite | R005796 |
| W742 | Leland | R0010213R | WP304 | Gunite | R007022 |
| W743 | Leland | R0010213L | WP383 | Gunite | R005904AG |
| W748 | Flagg | R007775 | WP39 | Gunite | R007051 |
| W748 | Leland | R007775 | WP395 | Gunite | R005010 |
| W755 | Flagg | R008968L | WP398 | Gunite | R005837 |
| W77 | Leland | R001902 | WP541 | Gunite | R005970 |
| W788L | Gunite | R008972L | WP544 | Gunite | R005890 |
| W788R | Gunite | R008972R | WP722 | Gunite | R005902G |
| W79 | Leland | R0010229 | WP725 | Gunite | R009023G |
| W8 | Flagg | R004963 | WP81 | Gunite | R005799 |
| W8 | Leland | R004963 | WP845 | Gunite | R005972 |
| W81 | Leland | R001905 | WP846 | Gunite | R005904AG |
| W826L | Gunite | R008966L | WP855 | Gunite | R004956A |
| W826R | Gunite | R008966R | WP858 | Gunite | R005905AG |
| W83 | Great Lakes | R005927G | X | Erie | R005574 |
| W83 | National Wheel & Rim | R005927G | X1050 | National Wheel & Rim | R004988R |
| W84 | Leland | R005613R | X1051 | National Wheel & Rim | R004988L |
| W84 | National Wheel & Rim | R005927G | X1068 | National Wheel & Rim | R004961A |
| W85 | Leland | R005613L | X1080 | National Wheel & Rim | R004965R |
| W866 | Gunite | R005906 | X1081 | National Wheel & Rim | R004965L |
| W87 | Leland | R004942 | X1108 | National Wheel & Rim | R005682 |
| W883L | Gunite | R008978L | X1109 | National Wheel & Rim | R005683 |
| W883R | Gunite | R008978R | X1110 | Great Lakes | R005734 |
| W89 | Leland | R004944 | X1110 | National Wheel & Rim | R005734 |
| W890L | Gunite | R008966L | X1122 | National Wheel & Rim | R005032 |
| W890R | Gunite | R008966R | X1124 | National Wheel & Rim | R005007 |
| W9 | Leland | R004990A | X1148 | National Wheel & Rim | R004975R |
| W90 | Leland | R004945 | X1149 | National Wheel & Rim | R004975L |
| W90 | National Wheel & Rim | R005570 | X1164 | National Wheel & Rim | R005708 |
| W91 | Leland | R004946 | X1203L | National Wheel & Rim | R003040L |
| W91 | National Wheel & Rim | R005044 | X1203R | National Wheel & Rim | R003040R |
| W93 | Leland | R004948 | X1250 | National Wheel & Rim | R005612R |
| W93 | National Wheel & Rim | R005045 | X1263 | National Wheel & Rim | R005613R |

CROSS REFERENCE

| PART# | COMPETITOR | MERITOR# | PART# | COMPETITOR | MERITOR# |
|--------------|----------------------|-----------------|--------------|----------------------|-----------------|
| X1264 | National Wheel & Rim | R005613L | X1585 | National Wheel & Rim | R001014L |
| X1342 | Great Lakes | R005704 | X1586 | National Wheel & Rim | R006023R |
| X1342 | National Wheel & Rim | R005704 | X1587 | National Wheel & Rim | R006023L |
| X1362 | National Wheel & Rim | R006060R | X1588 | National Wheel & Rim | R005557R |
| X1363 | National Wheel & Rim | R006060L | X1589 | National Wheel & Rim | R005557L |
| X1378 | National Wheel & Rim | R005722R | X1590 | National Wheel & Rim | R005562R |
| X1379 | National Wheel & Rim | R005722L | X1591 | National Wheel & Rim | R005562L |
| X1384 | National Wheel & Rim | R004968R | X1592 | National Wheel & Rim | R005933R |
| X1385 | National Wheel & Rim | R004968L | X1593 | National Wheel & Rim | R005933L |
| X1386 | National Wheel & Rim | R004969R | X1594 | National Wheel & Rim | R005565R |
| X1387 | National Wheel & Rim | R004969L | X1595 | National Wheel & Rim | R005565L |
| X1389 | National Wheel & Rim | R005588L | X1598 | National Wheel & Rim | R008942R |
| X1391 | National Wheel & Rim | R005719R | X1599 | National Wheel & Rim | R008942L |
| X1392 | National Wheel & Rim | R005719L | X1606 | National Wheel & Rim | R005713R |
| X1393 | National Wheel & Rim | R005720R | X1607 | National Wheel & Rim | R005713L |
| X1394 | National Wheel & Rim | R005720L | X1608 | National Wheel & Rim | R005714R |
| X1396 | National Wheel & Rim | R005587L | X1609 | National Wheel & Rim | R005714L |
| X1397 | National Wheel & Rim | R005588R | X1612 | National Wheel & Rim | R005715R |
| X1398 | National Wheel & Rim | R005588L | X1613 | National Wheel & Rim | R005715L |
| X1407 | National Wheel & Rim | R007897R | X1614 | National Wheel & Rim | R005716R |
| X1408 | National Wheel & Rim | R007897L | X1615 | National Wheel & Rim | R005716L |
| X1411 | National Wheel & Rim | R007898R | X1616 | National Wheel & Rim | R005589R |
| X1412 | National Wheel & Rim | R007898L | X1617 | National Wheel & Rim | R005589L |
| X1414 | National Wheel & Rim | R005577R | X1626 | National Wheel & Rim | R005875R |
| X1415 | National Wheel & Rim | R005577L | X1627 | National Wheel & Rim | R005875L |
| X1417 | National Wheel & Rim | R005576L | X1632 | National Wheel & Rim | R008943R |
| X1419 | National Wheel & Rim | R005578L | X1633 | National Wheel & Rim | R008943L |
| X1420 | National Wheel & Rim | R005579R | X1644 | National Wheel & Rim | R005863R |
| X1421 | National Wheel & Rim | R005579L | X1645 | National Wheel & Rim | R005863L |
| X1429 | National Wheel & Rim | R005008 | X1666 | National Wheel & Rim | R005618R |
| X1470 | Great Lakes | R005892 | X1667 | National Wheel & Rim | R005618L |
| X1470 | National Wheel & Rim | R005892 | X1687 | National Wheel & Rim | R005710 |
| X1473 | National Wheel & Rim | R002650 | X1689 | National Wheel & Rim | R005764L |
| X1512 | National Wheel & Rim | R003723R | X1692 | National Wheel & Rim | R005870R |
| X1513 | National Wheel & Rim | R003723L | X1693 | National Wheel & Rim | R005870L |
| X1516 | National Wheel & Rim | R005935R | X1700 | National Wheel & Rim | R005776 |
| X1517 | National Wheel & Rim | R005935L | X1701 | National Wheel & Rim | R005703 |
| X1520 | National Wheel & Rim | R005936R | X1702 | National Wheel & Rim | R005765R |
| X1521 | National Wheel & Rim | R005936L | X1703 | National Wheel & Rim | R005765L |
| X1522 | National Wheel & Rim | R005937R | X1704 | National Wheel & Rim | R005756R |
| X1523 | National Wheel & Rim | R005937L | X1705 | National Wheel & Rim | R005756L |
| X1525 | National Wheel & Rim | R003728L | X1706 | National Wheel & Rim | R005757R |
| X1554 | National Wheel & Rim | R005558R | X1707 | National Wheel & Rim | R005757L |
| X1555 | National Wheel & Rim | R005558L | X1708 | National Wheel & Rim | R005766R |
| X1558 | National Wheel & Rim | R005556R | X1709 | National Wheel & Rim | R005766L |
| X1559 | National Wheel & Rim | R005556L | X1710 | National Wheel & Rim | R005869R |
| X1562 | National Wheel & Rim | R005559R | X1711 | National Wheel & Rim | R005869L |
| X1568 | National Wheel & Rim | R005561R | X1712 | National Wheel & Rim | R004966R |
| X1569 | National Wheel & Rim | R005561L | X1713 | National Wheel & Rim | R004966L |
| X1572 | National Wheel & Rim | R005560R | X1714 | National Wheel & Rim | R008947R |
| X1573 | National Wheel & Rim | R005560L | X1715 | National Wheel & Rim | R008947L |
| X1574 | National Wheel & Rim | R005551R | X1718 | National Wheel & Rim | R005748R |
| X1575 | National Wheel & Rim | R005551L | X1719 | National Wheel & Rim | R005748L |
| X1576 | National Wheel & Rim | R005932R | X1723 | National Wheel & Rim | R005897R |
| X1577 | National Wheel & Rim | R005932L | X1724 | National Wheel & Rim | R005897L |
| X1578 | National Wheel & Rim | R005585R | X1725 | National Wheel & Rim | R005749R |
| X1579 | National Wheel & Rim | R005585L | X1726 | National Wheel & Rim | R005749L |
| X1580 | National Wheel & Rim | R005553R | X1727 | National Wheel & Rim | R005750R |
| X1581 | National Wheel & Rim | R005553L | X1728 | National Wheel & Rim | R005750L |
| X1583 | National Wheel & Rim | R005933L | X1729 | National Wheel & Rim | R005727 |
| X1584 | National Wheel & Rim | R001014R | X1730 | National Wheel & Rim | R005728 |

CROSS REFERENCE

| PART# | COMPETITOR | MERITOR# | PART# | COMPETITOR | MERITOR# |
|-------|----------------------|----------|-------|----------------------|-----------|
| X1731 | National Wheel & Rim | R005868R | X1896 | National Wheel & Rim | R005908L |
| X1732 | National Wheel & Rim | R005868L | X1897 | National Wheel & Rim | R005907R |
| X1745 | National Wheel & Rim | R008994R | X1898 | National Wheel & Rim | R005907L |
| X1746 | National Wheel & Rim | R008994L | X1905 | National Wheel & Rim | R005900R |
| X1751 | National Wheel & Rim | R008992R | X1906 | National Wheel & Rim | R005900L |
| X1752 | National Wheel & Rim | R008992L | X1913 | National Wheel & Rim | R005924R |
| X1753 | National Wheel & Rim | R008993R | X1914 | National Wheel & Rim | R005924L |
| X1754 | National Wheel & Rim | R008993L | X1915 | National Wheel & Rim | R005916R |
| X1762 | National Wheel & Rim | R005987R | X1916 | National Wheel & Rim | R005916L |
| X1763 | National Wheel & Rim | R005987L | X1917 | National Wheel & Rim | R005923R |
| X1766 | National Wheel & Rim | R008995R | X1918 | National Wheel & Rim | R005923L |
| X1767 | National Wheel & Rim | R008995L | X1927 | National Wheel & Rim | R005899R |
| X1777 | National Wheel & Rim | R005799 | X1928 | National Wheel & Rim | R005899L |
| X1781 | National Wheel & Rim | R007051 | X1931 | National Wheel & Rim | R005898R |
| X1787 | National Wheel & Rim | R005796 | X1932 | National Wheel & Rim | R005898L |
| X1790 | National Wheel & Rim | R005798 | X1935 | National Wheel & Rim | R005896R |
| X1792 | National Wheel & Rim | R005800 | X1936 | National Wheel & Rim | R005896L |
| X1793 | National Wheel & Rim | R005801 | X1937 | National Wheel & Rim | R005921R |
| X1795 | National Wheel & Rim | R005802 | X1938 | National Wheel & Rim | R005921L |
| X1796 | National Wheel & Rim | R007051 | X1939 | National Wheel & Rim | R005951 |
| X1801 | National Wheel & Rim | R005988R | X1941 | National Wheel & Rim | R005920R |
| X1802 | National Wheel & Rim | R005548L | X1942 | National Wheel & Rim | R005920L |
| X1803 | Great Lakes | R005652R | X1945 | National Wheel & Rim | R005918R |
| X1803 | National Wheel & Rim | R005652R | X1946 | National Wheel & Rim | R005918L |
| X1804 | Great Lakes | R005652L | X1947 | National Wheel & Rim | R005922R |
| X1804 | National Wheel & Rim | R005652L | X1948 | National Wheel & Rim | R005922L |
| X1823 | National Wheel & Rim | R004967R | X1955 | National Wheel & Rim | R005758R |
| X1824 | National Wheel & Rim | R004967L | X1956 | National Wheel & Rim | R005758L |
| X1828 | National Wheel & Rim | R007895R | X1957 | National Wheel & Rim | R005763R |
| X1829 | National Wheel & Rim | R007895L | X1958 | National Wheel & Rim | R005763L |
| X1831 | National Wheel & Rim | R005977R | X1983 | National Wheel & Rim | R005986R |
| X1832 | National Wheel & Rim | R005977L | X1984 | National Wheel & Rim | R005986L |
| X1833 | National Wheel & Rim | R005718R | X1991 | National Wheel & Rim | R008996R |
| X1834 | National Wheel & Rim | R005718L | X1992 | National Wheel & Rim | R008996L |
| X1835 | National Wheel & Rim | R007896R | X2027 | National Wheel & Rim | 20-X-408Z |
| X1836 | National Wheel & Rim | R007896L | X2037 | National Wheel & Rim | R009001R |
| X1837 | National Wheel & Rim | R009022R | X2038 | National Wheel & Rim | R009001L |
| X1838 | National Wheel & Rim | R009022L | X2041 | National Wheel & Rim | R001116R |
| X1841 | National Wheel & Rim | R008946R | X2042 | National Wheel & Rim | R004968L |
| X1842 | National Wheel & Rim | R008946L | X2043 | National Wheel & Rim | R009000R |
| X1843 | National Wheel & Rim | R005721R | X2044 | National Wheel & Rim | R009000L |
| X1844 | National Wheel & Rim | R005721L | X2045 | National Wheel & Rim | R001415R |
| X1858 | National Wheel & Rim | R004964R | X2046 | National Wheel & Rim | R001415L |
| X1861 | National Wheel & Rim | R005871R | X2053 | National Wheel & Rim | R005931R |
| X1862 | National Wheel & Rim | R005871L | X2054 | National Wheel & Rim | R005931L |
| X1863 | National Wheel & Rim | R001011R | X2055 | National Wheel & Rim | R005929R |
| X1864 | National Wheel & Rim | R001011L | X2056 | National Wheel & Rim | R005929L |
| X1870 | National Wheel & Rim | R005711 | X2057 | National Wheel & Rim | R005930R |
| X1873 | Great Lakes | R005978R | X2058 | National Wheel & Rim | R005930L |
| X1873 | National Wheel & Rim | R005978R | X2061 | National Wheel & Rim | R005934R |
| X1874 | Great Lakes | R005978R | X2062 | National Wheel & Rim | R005934L |
| X1874 | National Wheel & Rim | R005978L | X2076 | National Wheel & Rim | R002976L |
| X1882 | National Wheel & Rim | R008999R | X2077 | National Wheel & Rim | R002976R |
| X1883 | National Wheel & Rim | R008999L | X2081 | National Wheel & Rim | R0010235 |
| X1884 | National Wheel & Rim | R005911R | X2088 | National Wheel & Rim | R005984L |
| X1885 | National Wheel & Rim | R005911L | X2105 | National Wheel & Rim | R005726 |
| X1888 | National Wheel & Rim | R005910R | X2106 | National Wheel & Rim | R005729 |
| X1889 | National Wheel & Rim | R005910L | X2108 | National Wheel & Rim | R005717L |
| X1893 | National Wheel & Rim | R005909R | X2111 | National Wheel & Rim | R001623R |
| X1894 | National Wheel & Rim | R005909L | X2112 | National Wheel & Rim | R001623L |
| X1895 | National Wheel & Rim | R005908R | X2113 | National Wheel & Rim | R005985R |

CROSS REFERENCE

| PART# | COMPETITOR | MERITOR# | PART# | COMPETITOR | MERITOR# |
|---------|----------------------|---------------|-------|----------------------|-----------|
| X2114 | National Wheel & Rim | R005985L | XW57H | National Wheel & Rim | R005760 |
| X2122 | National Wheel & Rim | R007897R | XW68 | National Wheel & Rim | R005953G |
| X2123 | National Wheel & Rim | R007897L | XW70 | National Wheel & Rim | R005826 |
| X2131 | National Wheel & Rim | R005983R | XW72 | National Wheel & Rim | R005824 |
| X2132 | National Wheel & Rim | R005983L | XW74 | National Wheel & Rim | R005825 |
| X2133 | National Wheel & Rim | R005982R | XW83 | National Wheel & Rim | R005927G |
| X2134 | National Wheel & Rim | R005982L | XW90 | National Wheel & Rim | R005570 |
| X2138 | Great Lakes | R005988R | XW91 | National Wheel & Rim | R005044 |
| X2138 | National Wheel & Rim | R005988R | XW93 | National Wheel & Rim | R005045 |
| X2139 | National Wheel & Rim | R005988L | XW96 | National Wheel & Rim | R005571AG |
| X2140 | National Wheel & Rim | R005993 | XW97 | National Wheel & Rim | R005572AG |
| X2142 | National Wheel & Rim | R005992A | XW98 | National Wheel & Rim | R005040AG |
| X2143 | Great Lakes | R005991 | XW99 | National Wheel & Rim | R005786G |
| X2143 | National Wheel & Rim | R005991 | | | |
| X2156 | Great Lakes | R006000A | | | |
| X2156 | National Wheel & Rim | R006000A | | | |
| X2159 | National Wheel & Rim | R009020 | | | |
| X2166 | National Wheel & Rim | R002951 | | | |
| X2171 | National Wheel & Rim | R008990R | | | |
| X2172 | National Wheel & Rim | R008990L | | | |
| X2198 | National Wheel & Rim | R006026R | | | |
| X2199 | National Wheel & Rim | R006026L | | | |
| X2200 | National Wheel & Rim | R006028L | | | |
| X2201 | National Wheel & Rim | R006028R | | | |
| X2202 | National Wheel & Rim | R006058R | | | |
| X2203 | National Wheel & Rim | R006058L | | | |
| X2204 | National Wheel & Rim | R006059R | | | |
| X2205 | National Wheel & Rim | R006059L | | | |
| X2208 | National Wheel & Rim | R006027R | | | |
| X2209 | National Wheel & Rim | R006027L | | | |
| X4515EF | UBS | A-3222-A-1717 | | | |
| X6562 | Eaton | 5-X-640 | | | |
| X6562 | Eaton | A-1205-S-1943 | | | |
| X6562 | Eaton | R547033 | | | |
| XK1 | Sirco Brake | R507006 | | | |
| XK3 | Sirco Brake | MKT-4515X | | | |
| XK3 | Sirco Brake | MKT-4515X | | | |
| XK3HD | Sirco Brake | MKT-4515XHD | | | |
| XK3HD | Sirco Brake | MKT-4515XHD | | | |
| XK3MPHD | Sirco Brake | MKT-4515X | | | |
| XW100 | National Wheel & Rim | R005046 | | | |
| XW103 | National Wheel & Rim | R005784G | | | |
| XW104 | National Wheel & Rim | R005785G | | | |
| XW112 | National Wheel & Rim | R005827G | | | |
| XW113 | National Wheel & Rim | R005828G | | | |
| XW114 | National Wheel & Rim | R005829G | | | |
| XW164 | National Wheel & Rim | R005035 | | | |
| XW185 | National Wheel & Rim | R005041 | | | |
| XW194 | National Wheel & Rim | R005904AG | | | |
| XW227 | National Wheel & Rim | R005747 | | | |
| XW239 | National Wheel & Rim | R005906 | | | |
| XW240 | National Wheel & Rim | R005837 | | | |
| XW243 | National Wheel & Rim | R005902G | | | |
| XW244 | National Wheel & Rim | R009023G | | | |
| XW245 | National Wheel & Rim | R005745G | | | |
| XW249 | National Wheel & Rim | R005821G | | | |
| XW249 | Transit Parts | R005821G | | | |
| XW252 | National Wheel & Rim | R005822 | | | |
| XW255 | National Wheel & Rim | R005904AG | | | |
| XW256 | National Wheel & Rim | R005905AG | | | |
| XW56X | National Wheel & Rim | R005574 | | | |

NUMERICAL PARTS LISTING

| PART NUMBER | PAGE | PART NUMBER | PAGE | PART NUMBER | PAGE |
|----------------|-----------------|------------------|---|------------------|---|
| 5-X-478..... | 7-72 | 09-002204..... | 11-16 | 1218-L-90..... | 3-8 |
| 5-X-640..... | 2-18, 3-8, 7-72 | 09-002205..... | 11-16 | 1218-Z-52..... | 2-4, 3-8 |
| 5-X-866..... | 10-4 | 09-869701..... | 11-16 | 1225-A-443..... | 2-23 |
| 5-X-1093..... | 8-11 | 09-869702..... | 11-16 | 1225-A-833.. | 7-43, 7-50, 7-51, 7-52, 7-53, 7-66 |
| 08-205435..... | 11-28 | 10-X-1322..... | 5-ii | 1225-B-496..... | 2-ii, 2-8, 2-9, 2-20, 2-22, 2-23, 2-24, 3-7 |
| 08-205575..... | 11-28 | 10-X-1348..... | 5-ii, 7-51, 7-53, 7-56 | 1225-B-834.. | 7-43, 7-50, 7-51, 7-52, 7-53, 7-66 |
| 08-205740..... | 11-28 | 10-X-1421..... | 5-ii, 7-49, 7-53, 7-54 | 1225-C-835..... | 8-11, 8-12, 8-13, 8-16 |
| 08-205741..... | 11-28 | 10-X-1423..... | 6-5 | 1225-C-1277..... | 7-46, 7-54, 7-64 |
| 08-205833..... | 11-28 | 10-X-1525..... | 6-5 | 1225-F-266..... | 2-25, 3-10 |
| 09-001254..... | 11-16 | 13-X-41..... | 3-10 | 1225-G-449..... | 2-13 |
| 09-001255..... | 11-16 | 15-X-725..... | 9-3 | 1225-J-1362..... | 7-46, 7-54, 7-66 |
| 09-001540..... | 11-16 | 15-X-882..... | 4-8 | 1225-L-1208..... | 7-42, 7-44, 7-45, 7-46, 7-47, 7-49, 7-50, 7-53, 7-54, 7-56, 7-57, 7-64 |
| 09-001652..... | 11-16 | 15-X-1300..... | 5-ii, 10-4, 10-5 | 1225-M-897..... | 2-10, 7-46, 7-64 |
| 09-001653..... | 11-16 | 15-X-1605..... | 4-8 | 1225-N-1158..... | 7-50, 7-51, 7-56, 7-57, 7-66 |
| 09-001669..... | 11-11 | 19-X-45..... | 8-15 | 1225-R-512..... | 2-4, 7-44, 7-45, 7-47, 7-64 |
| 09-001727..... | 11-26 | 19-X-94..... | 10-4 | 1225-R-1058..... | 7-52, 7-65 |
| 09-001728..... | 11-26 | 19-X-96..... | 10-4 | 1225-R-1136..... | 2-7, 7-45, 7-64 |
| 09-001811..... | 11-25 | 19-X-127..... | 8-11, 8-12, 8-13, 8-14, 8-15 | 1225-S-1267..... | 2-ii, 2-15, 2-16 |
| 09-001825..... | 11-25 | 19-X-143..... | 2-22, 3-15 | 1225-U-151..... | 7-64 |
| 09-001826..... | 11-25 | 19-X-1083..... | 8-15 | 1225-U-827..... | 2-17, 2-18, 3-7 |
| 09-001853..... | 11-25 | 19-X-1084..... | 8-11, 8-13, 8-14, 8-15 | 1225-X-336..... | 7-64 |
| 09-001855..... | 11-25 | 19-X-1085..... | 8-15 | 1225-X-440..... | 2-4, 3-7 |
| 09-001910..... | 11-17 | 19-X-1116..... | 8-12, 8-14, 8-15 | 1225-X-804..... | 7-52, 7-65 |
| 09-001911..... | 11-17 | 19-X-1173..... | 8-15 | 1227-B-678..... | 11-36 |
| 09-001914..... | 11-24 | 19-X-1174..... | 8-15 | 1227-H-34..... | 11-35 |
| 09-001925..... | 11-11 | 19-X-1175..... | 5-2, 8-16 | 1227-R-1240..... | 11-37 |
| 09-001926..... | 11-11 | 19-X-1176..... | 5-2, 8-16 | 1227-R-1422..... | 6-5 |
| 09-001958..... | 11-26 | 26-X-143..... | 2-4, 5-ii | 1227-S-1527..... | 11-42, 11-43 |
| 09-001962..... | 11-24 | 26-X-1030..... | 2-17, 2-18, 5-ii | 1227-V-464..... | 11-47 |
| 09-001964..... | 11-25 | 1107-D-56..... | 7-46, 7-60 | 1227-Z-1170..... | 10-4, 10-17 |
| 09-001965..... | 11-16 | 1199-A-625..... | 2-3, 3-2 | 1229-A-1223..... | 10-4 |
| 09-001966..... | 11-16 | 1199-A-3745..... | 2-9, 2-10, 3-15 | 1229-A-4135..... | 7-50, 7-51, 7-56, 7-57, 7-62 |
| 09-001982..... | 11-17 | 1199-E-1695..... | 2-ii, 2-15, 2-1, 2-23 | 1229-B-236..... | 2-10, 7-46, 7-62 |
| 09-001983..... | 11-17 | 1199-F-3464..... | 10-16 | 1229-B-1848..... | 2-17, 2-18, 2-19, 2-20, 3-9, 7-50, 7-51, 7-52, 7-53, 7-56, 7-57 |
| 09-001984..... | 11-17 | 1199-G-3725..... | 2-7, 2-8, 2-9, 2-10, 2-11, 3-1 | 1229-B-4136..... | 7-50, 7-51, 7-53, 7-56, 7-57, 7-61 |
| 09-001985..... | 11-17 | 1199-J-3728..... | 3-16 | 1229-C-1563..... | 2-5, 3-9 |
| 09-001988..... | 11-26 | 1199-N-1860..... | 7-46, 9-4 | 1229-C-4137..... | 7-50, 7-51, 7-53, 7-56, 7-57, 7-62 |
| 09-001989..... | 11-26 | 1199-T-3738..... | 10-4, 10-5, 10-16 | 1229-D-108..... | 2-4, 3-9 |
| 09-001990..... | 11-25 | 1199-U-3739..... | 8-11, 8-12, 8-13 | 1229-D-2942..... | 2-10, 2-17, 2-18, 2-19, 2-20, 7-46, 7-47, 7-50, 7-53, 7-55, 7-58, 7-63 |
| 09-001995..... | 11-17 | 1199-U-3765..... | 2-18, 2-25, 3-ii | 1229-D-3124..... | 7-43, 7-47, 7-50, 7-51, 7-52, 7-53, 7-63 |
| 09-001996..... | 11-17 | 1199-V-3740..... | 8-11, 8-12, 8-13 | 1229-E-811..... | 7-42, 7-46, 7-60 |
| 09-001997..... | 11-17 | 1199-W-3741..... | 8-11 | 1229-E-1565..... | 2-5, 3-9 |
| 09-001999..... | 11-11 | 1199-Y-3743..... | 8-11, 8-16 | 1229-E-1669..... | 5-1 |
| 09-002000..... | 11-11 | 1205-A-1327..... | 9-2 | 1229-E-4685..... | 7-60 |
| 09-002001..... | 11-26 | 1205-B-2004..... | 10-2, 10-3, 10-12 | 1229-F-1566..... | 2-5, 3-9 |
| 09-002002..... | 11-26 | 1205-C-2005..... | 10-ii, 10-2, 10-3, 10-12 | 1229-F-4686..... | 7-46, 7-62 |
| 09-002003..... | 11-26 | 1205-E-2527..... | 7-46, 8-17 | 1229-G-1021..... | 11-48, 11-49 |
| 09-002004..... | 11-26 | 1205-F-2528..... | 7-46, 8-17 | 1229-G-1099..... | 2-22 |
| 09-002005..... | 11-26 | 1205-G-761 ... | 7-46, 7-50, 7-56, 7-57, 7-71, 9-3 | 1229-G-1463..... | 7-42, 7-47, 7-48, 7-49, 7-55, 7-60 |
| 09-002013..... | 11-26 | 1205-K-193..... | 2-18, 2-18, 7-72 | 1229-G-1567..... | 2-5, 3-9 |
| 09-002025..... | 11-22 | 1205-M-1105..... | 7-70 | 1229-G-2971..... | 2-10, 2-13, 7-43, 7-47, 7-48, 7-55, 7-58, 7-59 |
| 09-002026..... | 11-22 | 1205-N-430..... | 7-69 | 1229-H-4090..... | 7-46, 7-61 |
| 09-002047..... | 11-16 | 1205-N-924..... | 7-52, 7-70 | 1229-J-478..... | 2-4 |
| 09-002048..... | 11-16 | 1205-Q-2123..... | 7-43, 7-50, 7-51, 7-52, 7-53, 7-54, 7-55, 7-56, 7-57, 7-71 | | |
| 09-002049..... | 11-17 | 1205-V-1452..... | 7-43, 7-50, 7-51, 7-52, 7-53, 7-71 | | |
| 09-002050..... | 11-17 | 1205-X-726..... | 7-47, 7-52, 7-70 | | |
| 09-002073..... | 11-23 | 1205-Z-2652..... | 7-46, 7-71 | | |
| 09-002082..... | 11-4 | 1218-C-107..... | 2-18, 2-25, 3-15 | | |
| 09-002083..... | 11-4 | 1218-G-85 .. | 2-ii, 2-1, 2-2, 2-8, 2-11, 2-13, 2-15 2-16, 2-18, 2-19, 2-20, 2-21, 2-22, 2-23, 2-24 | | |
| 09-002085..... | 11-17 | | | | |
| 09-002086..... | 11-17 | | | | |
| 09-002184..... | 11-26 | | | | |

NUMERICAL PARTS LISTING

| PART NUMBER | PAGE | PART NUMBER | PAGE | PART NUMBER | PAGE |
|---|--|-------------------|--|-------------------|------------------------------------|
| 1229-J-868 .. 7-42, 7-43, 7-48, 7-52, 7-56, 7-57 | 7-60 | 1245-D-186 | 8-26 | 1779-Q-147 | 10-1, 10-6 |
| 1229-J-3130 | 2-10, 7-46, 7-59 | 1245-E-161 | 2-5, 3-8 | 1779-Q-329 | 3-ii |
| 1229-J-4092 | 2-10, 7-58, 7-63 | 1245-K-193 | 8-26 | 1779-Q-433 | 10-15 |
| 1229-J-4638 | 11-48, 11-49 | 1245-N-144 | 2-5, 3-8 | 1779-U-593 | 2-5, 3-ii |
| 1229-K-1597 | 5-1 | 1245-S-201 | 8-26 | 1779-X-180 | 2-5, 3-ii |
| 1229-K-1597Z | 5-1 | 1245-Z-1066 | 8-12 | 1779-Y-155 | 10-16 |
| 1229-K-4093 | 2-10, 7-59 | 1246-F-1020 | 2-ii, 3-3 | 1779-Z-156 | 10-16 |
| 1229-L-844 | 7-50, 7-53, 7-60 | 1246-G-475 | 2-3, 3-3 | 1807-A-1 | 2-9, 2-10, 3-16, 10-1, 10-6, 10-17 |
| 1229-L-4094 | 2-10, 7-58, 7-59 | 1246-L-350 | 2-5 | 1829-P-198 | 2-11, 5-1, 10-1, 10-6, 10-15 |
| 1229-M-221 | 2-1, 2-3, 3-8 | 1246-R-382 | 2-5, 3-15 | 1898-R-720 | 8-11, 8-17 |
| 1229-M-4667 | 5-1 | 1250-J-1284 | 5-2, 7-46 | 2105-G-1047 | 2-9 |
| 1229-N-2250 | 7-47, 7-50, 7-53, 7-56, 7-57, 7-60 | 1250-P-484 | 10-5, 10-18 | 2205-P-1004 | 2-7, 2-8 |
| 1229-N-4590 | 7-58, 7-59 | 1250-R-1214 | 6-4, 6-5 | 2208-D-82 | 10-4, 10-16 |
| 1229-P-302 | 7-46 | 1259-B-262 | 2-10, 3-5 | 2210-A-6007 | 7-6 |
| 1229-P-4592 | 7-58, 7-59 | 1259-D-238 | 3-6 | 2210-A-6319 | 7-7 |
| 1229-Q-277 | 2-10, 7-46, 7-58, 7-60 | 1259-K-1181 | 2-17, 2-18, 3-5 | 2210-A-6345 | 7-7 |
| 1229-Q-433 | 2-5, 3-9, 7-43 | 1259-L-194 | 2-4, 3-5 | 2210-A-6397 | 7-8 |
| 1229-Q-771 .. 7-43, 7-46, 7-47, 7-49, 7-50, 7-53 | 7-55, 7-61 | 1259-M-1131 | 2-19, 2-20, 3-5 | 2210-A-6813 | 7-6 |
| 1229-Q-2851 | 7-48, 7-50, 7-53, 7-58, 7-63 | 1259-N-170 | 2-ii, 2-16 | 2210-A-7515 | 7-14 |
| 1229-R-122 ... 2-ii, 7-42, 7-43, 7-45, 7-46, 7-47 | 7-49, 7-50, 7-52, 7-53, 7-55, 7-61 | 1259-N-274 | 2-ii, 2-1, 2-8, 2-9, 2-13, 2-20, 2-21, 2-22, 2-23, 2-24, 3-5 | 2210-A-7593 | 7-16 |
| 1229-R-512 | 6-4 | 1259-N-300 | 10-17 | 2210-A-7619 | 7-17 |
| 1229-R-2462 | 10-4, 10-5 | 1259-N-1132 | 3-6 | 2210-A-7645 | 7-17 |
| 1229-R-4100 | 7-51, 7-53, 7-54, 7-56, 7-57, 7-62 | 1259-P-198 | 2-5, 3-6 | 2210-A-7671 | 7-17 |
| 1229-R-4178 | 8-11 | 1259-P-1134 | 2-20 | 2210-A-7697 | 7-18 |
| 1229-S-435 | 7-61 | 1259-Q-251 | 2-18, 2-26, 3-5 | 2210-A-7749 | 7-18 |
| 1229-S-747 | 7-61 | 1259-R-252 | 2-18, 2-25, 3-6 | 2210-A-8217 | 7-18 |
| 1229-S-2697 | 7-47, 7-58, 7-61 | 1259-V-308 | 2-22, 2-23, 3-5 | 2210-B-5384 | 7-2 |
| 1229-S-4101 | 7-51, 7-53, 7-54, 7-56, 7-57, 7-62 | 1259-W-205 | 2-5, 3-6 | 2210-B-6008 | 7-6 |
| 1229-T-1164 | 7-59 | 1259-X-76 | 2-4, 3-6 | 2210-B-6866 | 7-20, 7-22, 7-56 |
| 1229-T-1554 | 2-5, 5-1 | 1259-X-1012 | 2-7, 2-8, 3-5 | 2210-B-7412 | 7-12 |
| 1229-T-3166 | 2-ii, 2-2, 2-3, 2-26, 3-3 | 1707-B-2 | 6-4 | 2210-B-7464 | 7-13 |
| 1229-T-4102 | 7-50, 7-51, 7-53, 7-54, 7-56, 7-57, 7-63 | 1707-C-3 | 6-4 | 2210-B-7542 | 7-15 |
| 1229-U-593 | 2-5, 3-9 | 1718-B-158 | 10-4, 10-5 | 2210-B-7568 | 7-15 |
| 1229-U-1555 | 2-5, 3-9 | 1718-P-198 | 10-15 | 2210-B-7594 | 7-16 |
| 1229-V-516 | 7-59 | 1718-T-150 | 10-4, 10-5, 10-9 | 2210-B-7958 | 7-20 |
| 1229-V-1504 | 2-7, 2-8, 3-9 | 1718-Y-103 | 2-1, 2-2, 2-7, 2-12, 2-13, 2-14, 2-15, 2-18, 2-19, 2-20, 2-23, 3-4 | 2210-B-8218 | 7-18 |
| 1229-V-1556 | 2-10, 3-9 | 1725-H-8 | 3-10 | 2210-C-6165 | 7-11 |
| 1229-W-1505 | 5-1 | 1725-V-22 | 3-10 | 2210-C-6399 | 7-8 |
| 1229-W-1557 | 5-1 | 1727-N-40 | 10-17 | 2210-C-6867 | 7-20, 7-22, 7-56 |
| 1229-W-2935 | 7-60 | 1729-B-262 | 10-1, 10-13 | 2210-C-7413 | 7-12 |
| 1229-W-3117 | 7-46, 7-59 | 1729-G-293 | 10-4, 10-5, 10-16 | 2210-C-7465 | 7-13 |
| 1229-X-1116 ... 2-5, 2-9, 2-10, 2-13, 2-18, 2-25, 2-26, 3-9, 7-43, 7-46, 7-47, 7-48, 7-50, 7-51 | 7-52, 7-53, 7-55, 7-56, 7-57, 10-1 | 1729-W-205Z | 10-4, 10-5, 10-15 | 2210-C-7543 | 7-15 |
| 1229-X-2780 | 10-15 | 1729-X-258 | 10-4, 10-5 | 2210-C-7569 | 7-15 |
| 1229-X-2936 | 7-58, 7-60 | 1746-U-47 | 2-5, 3-15 | 2210-C-7595 | 7-16 |
| 1229-X-3118 | 7-43, 7-50, 7-51, 7-52, 7-53, 7-56, 7-57, 7-62 | 1759-Z-26 | 3-5 | 2210-C-7959 | 7-20 |
| 1229-Y-3119 | 11-37 | 1779-A-131 | 3-ii | 2210-C-8219 | 7-18 |
| 1229-Z-1118. 2-ii, 7-42, 7-43, 7-46, 7-47, 7-49, 7-50, 7-52, 7-53, 7-55, 7-63 | 7-50, 7-52, 7-53, 7-55, 7-63 | 1779-A-235 | 9-3 | 2210-D-6166 | 7-11 |
| 1229-Z-1560 | 5-1 | 1779-B-132 | 3-ii | 2210-D-6400 | 7-8 |
| 1244-G-2217 | 6-5 | 1779-B-1172 | 3-ii | 2210-D-6842 | 7-ii |
| 1244-R-798 | 7-67 | 1779-C-81 | 3-ii | 2210-D-6868 | 7-21, 7-22, 7-56 |
| 1245-C-185 | 8-26 | 1779-D-82 | 2-1, 2-2, 3-ii | 2210-D-7492 | 7-13 |
| | | 1779-D-134 | 3-ii | 2210-D-7596 | 7-16 |
| | | 1779-E-83 | 3-ii | 2210-D-7648 | 7-17 |
| | | 1779-H-1776 | 3-ii | 2210-D-7674 | 7-18 |
| | | 1779-J-114 | 2-4, 3-ii | 2210-D-7700 | 7-18 |
| | | 1779-J-218 | 10-4, 10-5, 10-13 | 2210-D-7726 | 7-18 |
| | | 1779-J-1778 | 3-ii | 2210-D-8220 | 7-18 |
| | | 1779-L-116 | 2-4, 3-ii | 2210-E-5725 | 7-2 |
| | | 1779-M-377 | 2-9, 2-10, 3-15, 10-17 | 2210-E-6167 | 7-11 |
| | | 1779-M-403 | 3-1 | 2210-E-6843 | 7-ii |
| | | | | 2210-E-6869 | 7-21, 7-22, 7-56 |
| | | | | 2210-E-7493 | 7-13 |

NUMERICAL PARTS LISTING

| PART NUMBER | PAGE | PART NUMBER | PAGE | PART NUMBER | PAGE |
|-------------|------------|-------------|------------|-------------|------------|
| 2210-E-7597 | 7-16 | 2210-L-7344 | 7-12 | 2210-S-6857 | 7-ii |
| 2210-E-7649 | 7-17 | 2210-L-7396 | 7-12 | 2210-S-7429 | 7-12 |
| 2210-E-7675 | 7-18 | 2210-L-7474 | 7-13 | 2210-S-7455 | 7-13 |
| 2210-E-7701 | 7-18 | 2210-L-7500 | 7-14 | 2210-S-7637 | 7-17 |
| 2210-E-7727 | 7-18 | 2210-L-7552 | 7-15 | 2210-S-7689 | 7-18 |
| 2210-E-8351 | 7-19 | 2210-L-7604 | 7-16 | 2210-S-7715 | 7-18 |
| 2210-E-8403 | 7-19 | 2210-L-7838 | 7-16 | 2210-S-7845 | 7-15 |
| 2210-F-6168 | 7-11 | 2210-L-7838 | 7-57 | 2210-S-8157 | 7-20, 7-22 |
| 2210-F-6844 | 7-ii | 2210-L-8176 | 7-18 | 2210-S-8183 | 7-13 |
| 2210-F-6870 | 7-20, 7-22 | 2210-M-2483 | 7-7 | 2210-S-8287 | 7-15 |
| 2210-F-7416 | 7-12 | 2210-M-5655 | 7-2 | 2210-T-7430 | 7-12 |
| 2210-F-7442 | 7-13 | 2210-M-6851 | 7-ii | 2210-T-7456 | 7-13 |
| 2210-F-7468 | 7-13 | 2210-M-7449 | 7-13 | 2210-T-7534 | 7-14 |
| 2210-F-7546 | 7-15 | 2210-M-7501 | 7-14 | 2210-T-7560 | 7-15 |
| 2210-F-8352 | 7-19 | 2210-M-7683 | 7-18 | 2210-T-7586 | 7-16 |
| 2210-F-8404 | 7-19 | 2210-M-7787 | 7-19 | 2210-T-7664 | 7-17 |
| 2210-G-5753 | 7-5 | 2210-M-8177 | 7-18 | 2210-T-8158 | 7-20 |
| 2210-G-6299 | 7-5 | 2210-M-8333 | 7-16 | 2210-T-8158 | 7-22 |
| 2210-G-6845 | 7-ii | 2210-N-2484 | 7-7 | 2210-T-8184 | 7-13 |
| 2210-G-6871 | 7-20 | 2210-N-6852 | 7-ii | 2210-T-8288 | 7-15 |
| 2210-G-6871 | 7-22 | 2210-N-7450 | 7-13 | 2210-U-4909 | 7-6 |
| 2210-G-7417 | 7-12 | 2210-N-7502 | 7-14 | 2210-U-7431 | 7-12 |
| 2210-G-7443 | 7-13 | 2210-N-7684 | 7-18 | 2210-U-7457 | 7-13 |
| 2210-G-7469 | 7-13 | 2210-N-7788 | 7-19 | 2210-U-7535 | 7-14 |
| 2210-G-7547 | 7-15 | 2210-N-8204 | 7-5 | 2210-U-7561 | 7-15 |
| 2210-G-8353 | 7-19 | 2210-N-8282 | 7-17 | 2210-U-7587 | 7-16 |
| 2210-G-8431 | 7-6 | 2210-P-5164 | 7-5 | 2210-U-7665 | 7-17 |
| 2210-H-2946 | 7-7 | 2210-P-6386 | 7-2 | 2210-U-8133 | 7-2 |
| 2210-H-5754 | 7-5 | 2210-P-7426 | 7-12 | 2210-U-8159 | 7-21, 7-22 |
| 2210-H-7418 | 7-12 | 2210-P-7452 | 7-13 | 2210-U-8315 | 7-15 |
| 2210-H-7496 | 7-14 | 2210-P-7478 | 7-13 | 2210-U-8341 | 7-17 |
| 2210-H-7522 | 7-14 | 2210-P-7582 | 7-15 | 2210-U-8393 | 7-16 |
| 2210-H-7626 | 7-17 | 2210-P-7608 | 7-16 | 2210-V-6860 | 7-ii |
| 2210-H-7652 | 7-17 | 2210-P-7660 | 7-17 | 2210-V-7484 | 7-13 |
| 2210-H-7730 | 7-18 | 2210-P-7842 | 7-14 | 2210-V-7510 | 7-14 |
| 2210-H-7782 | 7-19 | 2210-P-8284 | 7-17 | 2210-V-7536 | 7-15, 7-56 |
| 2210-H-8354 | 7-19 | 2210-Q-4905 | 7-6 | 2210-V-7614 | 7-17 |
| 2210-H-8432 | 7-6 | 2210-Q-5165 | 7-5 | 2210-V-7692 | 7-18 |
| 2210-J-2948 | 7-7 | 2210-Q-5737 | 7-2 | 2210-V-7718 | 7-18 |
| 2210-J-7420 | 7-12 | 2210-Q-6387 | 7-8 | 2210-V-8134 | 7-2 |
| 2210-J-7498 | 7-14 | 2210-Q-7427 | 7-12 | 2210-V-8160 | 7-21, 7-22 |
| 2210-J-7524 | 7-14 | 2210-Q-7453 | 7-13 | 2210-V-8316 | 7-15 |
| 2210-J-7628 | 7-17 | 2210-Q-7479 | 7-13 | 2210-V-8342 | 7-17 |
| 2210-J-7654 | 7-17 | 2210-Q-7583 | 7-15 | 2210-V-8394 | 7-16 |
| 2210-J-7732 | 7-18 | 2210-Q-7609 | 7-16 | 2210-W-6861 | 7-ii |
| 2210-J-7784 | 7-19 | 2210-Q-7661 | 7-17 | 2210-W-7485 | 7-13 |
| 2210-J-8330 | 7-12 | 2210-Q-7843 | 7-14 | 2210-W-7511 | 7-14 |
| 2210-K-5653 | 7-2 | 2210-Q-8155 | 7-20 | 2210-W-7537 | 7-15 |
| 2210-K-6303 | 7-5 | 2210-Q-8155 | 7-22 | 2210-W-7537 | 7-56 |
| 2210-K-6537 | 7-5 | 2210-Q-8181 | 7-12 | 2210-W-7615 | 7-17 |
| 2210-K-7343 | 7-12 | 2210-R-4906 | 7-6 | 2210-W-7693 | 7-18 |
| 2210-K-7395 | 7-12 | 2210-R-5738 | 7-2 | 2210-W-7719 | 7-18 |
| 2210-K-7473 | 7-13 | 2210-R-6388 | 7-8 | 2210-W-8213 | 7-14 |
| 2210-K-7499 | 7-14 | 2210-R-6856 | 7-ii | 2210-W-8265 | 7-16 |
| 2210-K-7551 | 7-15 | 2210-R-7428 | 7-12 | 2210-W-8317 | 7-12 |
| 2210-K-7603 | 7-16 | 2210-R-7454 | 7-13 | 2210-W-8395 | 7-19 |
| 2210-K-7837 | 7-16 | 2210-R-7636 | 7-17 | 2210-X-5536 | 7-5 |
| 2210-K-7837 | 7-57 | 2210-R-7688 | 7-18 | 2210-X-7408 | 7-12 |
| 2210-K-8331 | 7-12 | 2210-R-7714 | 7-18 | 2210-X-7538 | 7-15 |
| 2210-L-5654 | 7-2 | 2210-R-7844 | 7-15 | 2210-X-7564 | 7-15 |
| 2210-L-6304 | 7-5 | 2210-R-8156 | 7-20, 7-22 | 2210-X-7590 | 7-16 |
| 2210-L-6538 | 7-5 | 2210-R-8182 | 7-12 | 2210-X-8214 | 7-14 |

NUMERICAL PARTS LISTING

| PART NUMBER | PAGE | PART NUMBER | PAGE | PART NUMBER | PAGE |
|-------------|---|-------------|---|-----------------|------------------------------------|
| 2210-X-8266 | 7-16 | 2258-X-544 | 10-7 | 3299-A-5279 | 10-16 |
| 2210-X-8318 | 7-12 | 2258-X-804 | 2-22 | 3299-A-5981 | 9-4 |
| 2210-X-8370 | 7-14 | 2258-Y-597 | 10-4 | 3299-C-4189 | 10-16 |
| 2210-X-8396 | 7-19 | 2258-Y-1273 | 2-22, 2-23, 2-24, 3-14 | 3299-U-5299 | 9-4 |
| 2210-Y-5355 | 7-2 | 2258-Z-416 | 2-20, 3-13 | 3736-P-328 | 6-1 |
| 2210-Y-6005 | 7-6 | 2258-Z-702 | 10-4, 10-7 | A1-1199-D-3384 | 10-4, 10-10 |
| 2210-Y-7409 | 7-12 | 2260-S-1111 | 8-11, 8-12, 8-13, 8-17 | A1-2247-R-18 | 10-14 |
| 2210-Y-7539 | 7-15 | 2297-A-5331 | 10-11 | A1-2247-T-20 | 10-14 |
| 2210-Y-7591 | 7-16 | 2297-B-4188 | 8-13 | A1-3105-Q-1213 | 7-51, 7-69 |
| 2210-Y-8215 | 7-14 | 2297-B-4786 | 8-11, 8-12, 8-13 | A1-3222-B-1952 | 4-8 |
| 2210-Y-8293 | 7-6 | 2297-B-5332 | 10-11 | A1-3236-A-1249 | 6-2 |
| 2210-Z-6006 | 7-6 | 2297-B-5670 | 10-10 | A1-3236-C-1823 | 6-3 |
| 2210-Z-6318 | 7-7 | 2297-C-4787 | 8-11, 8-12 | A1-3236-Q-2123 | 6-2 |
| 2210-Z-6344 | 7-7 | 2297-C-5021 | 2-ii, 3-2 | A1-3264-J-114 | 6-2 |
| 2210-Z-6812 | 7-6 | 2297-D-4788 | 8-13 | A1-3722-J-686 | 4-1 |
| 2210-Z-7514 | 7-14 | 2297-D-7206 | 2-9, 3-1 | A1-3722-R-824 | 4-1 |
| 2210-Z-7592 | 7-16 | 2297-E-4789 | 8-13 | A1-3736-M-91 | 6-2 |
| 2210-Z-7618 | 7-17 | 2297-F-7208 | 8-12, 8-13 | A2-1705-H-138 | 10-4, 10-5, 10-12 |
| 2210-Z-7644 | 7-17 | 2297-G-7209 | 8-11, 8-12, 8-13, 8-17 | A2-1705-M-221 | 10-12 |
| 2210-Z-7670 | 7-17 | 2297-H-2842 | 8-11, 8-12, 8-13, 8-17 | A2-1705-Q-277 | 10-4, 10-12 |
| 2210-Z-7696 | 7-18 | 2297-H-7210 | 8-12, 8-17 | A2-2297-U-4597 | 10-10 |
| 2210-Z-7748 | 7-18 | 2297-J-7212 | 8-12 | A2-2747-C-29 | 10-14 |
| 2210-Z-8216 | 7-14 | 2297-N-2822 | 10-4, 10-5 | A2-3105-G-1151 | 7-43, 7-48, 7-50, 7-51, 7-52 |
| 2210-Z-8294 | 7-6 | 2297-N-2874 | 10-1, 10-8 | | 7-53, 7-54, 7-56, 7-68 |
| 2230-C-159 | 8-11, 8-13, 8-17 | 2297-Q-2825 | 10-4, 10-5, 10-8 | A2-3236-Q-2123 | 6-2 |
| 2230-N-1054 | 8-12, 8-13, 8-17 | 2297-Q-8233 | 3-ii | A2-3264-P-1082 | 6-1 |
| 2247-X-128 | 2-22 | 2297-R-8234 | 2-18, 3-ii | A3-1705-M-221 | 10-1, 10-12 |
| 2257-C-1173 | 8-14, 8-16 | 2297-S-2827 | 10-4, 10-5 | A3-2297-J-3312 | 10-4, 10-9 |
| 2257-D-1174 | 8-14, 8-16 | 2297-S-7091 | 10-9 | A3-3780-R-122 | 9-2 |
| 2257-M-1001 | 2-26, 10-3, 10-6, 10-18 | 2297-S-8235 | 2-17, 3-ii | A4-1779-X-232 | 9-3 |
| 2257-N-40 | 8-11, 8-12, 8-13, 8-17 | 2297-T-3894 | 10-4, 10-5 | A4-3222-M-1157 | 4-1 |
| 2257-T-1060 | 2-7, 2-8, 2-26, 3-16 | 2297-T-7222 | 2-1, 2-2, 2-8, 2-13, 2-15, 2-16 | A4-3264-T-228 | 6-2 |
| 2257-U-1061 | 2-7, 2-26, 3-16 | | 2-18, 2-19, 2-20, 2-21, 2-22, 2-23, 2-24, 3-1 | A6-3275-J-1050 | 8-23 |
| 2258-B-704 | 2-ii, 3-12 | 2297-T-8236 | 3-ii | A7-1779-V-230 | 9-3 |
| 2258-C-601 | 10-7 | 2297-U-2829 | 10-5 | A19-3222-D-2006 | 4-8 |
| 2258-E-499 | 7-67 | 2297-U-3895 | 10-4, 10-5 | A21-3222-M-2223 | 4-3 |
| 2258-E-629 | 10-7 | 2297-W-2857 | 8-11, 8-12, 8-13 | A24-3722-P-406 | 4-1 |
| 2258-E-1123 | 2-7, 2-8, 3-11 | 2297-W-3299 | 10-4, 10-11 | A25-3222-D-1954 | 4-6 |
| 2258-F-630 | 10-5, 10-7 | 2297-W-3637 | 8-11, 8-13, 8-17 | A28-1779-V-230 | 9-3 |
| 2258-G-579 | 2-9, 2-10, 3-12 | 2297-X-7304 | 7-46 | A31-3722-D-368 | 4-1 |
| 2258-H-580 | 10-ii, 10-2, 10-3, 10-7 | 2297-Y-5329 | 10-2, 10-3, 10-11 | A35-3275-J-1050 | 8-23 |
| 2258-H-1230 | 2-23, 3-11 | 2297-Z-5330 | 10-2, 10-3, 10-11 | A59-1779-V-230 | 9-3 |
| 2258-J-400 | 2-4, 2-5, 3-13 | 2758-Q-43 | 10-1, 10-7 | A73-1779-V-230 | 9-3 |
| 2258-J-1336 | 3-13 | 2758-R-70 | 10-4, 10-5, 10-8 | A91-3222-S-1293 | 4-7 |
| 2258-J-1440 | 2-4, 2-5, 3-13 | 2758-W-127 | 10-7 | A-1199-D-3384 | 10-4, 10-5, 10-10 |
| 2258-K-349 | 3-14 | 2760-A-27 | 9-2 | A-1205-D-2110 | 2-7, 7-45, 7-70 |
| 2258-K-531 | 10-8 | 2797-B-106 | 9-2 | A-1205-E-2163 | 2-4 |
| 2258-K-1181 | 2-7, 2-8, 3-13 | 2797-B-1042 | 9-2 | A-1205-F-136 | 2-4, 7-71 |
| 2258-L-610 | 10-5, 10-7 | 2797-D-56 | 9-2 | A-1205-F-2346 | 8-12, 8-13 |
| 2258-L-1234 | 2-8, 2-9, 3-13 | 2797-G-111 | 9-3 | A-1205-G-2269 | 8-11 |
| 2258-P-354 | 2-16, 2-18, 2-19, 3-13 | 2797-V-204 | 10-11 | A-1205-K-2533 | 7-46, 7-54, 7-71 |
| 2258-P-1238 | 8-16 | 2858-M-91 | 3-15, 10-8 | A-1205-P-1602 | 2-10, 7-46, 7-70 |
| 2258-Q-615 | 2-ii, 2-1, 2-2, 2-7, 2-8, 2-9, 2-13, 2-15, 2-20, 2-21, 2-22, 2-23, 2-24, 3-12 | 2858-T-46 | 2-9, 2-10, 10-1, 10-6 | A-1205-S-1943 | 2-18, 2-25, 2-26, 7-70 |
| 2258-Q-1239 | 8-16 | 3105-B-210 | 2-8, 2-20, 2-21, 2-22, 2-23, 2-24, 3-4 | A-1205-V-1556 | 7-44, 7-46, 7-47, 7-49, 7-50 |
| 2258-R-590 | 2-18, 2-25, 3-12 | 3264-A-1067 | 6-1 | | 7-52, 7-53, 7-54, 7-56, 7-57, 7-70 |
| 2258-S-643 | 2-22, 3-13 | 3264-D-160 | 6-3 | A-1218-A-131 | 10-18 |
| 2258-T-1372 | 2-17, 2-18, 3-14 | 3264-E-1279 | 6-ii | A-1229-S-4179 | 11-37, 11-38 |
| 2258-U-619 | 2-15, 2-20, 2-21, 2-23, 3-13 | 3264-L-1234 | 6-5 | A-1229-X-2546 | 11-36 |
| 2258-V-256 | 2-1, 2-2, 3-12 | 3264-R-1292 | 6-ii | A-1705-H-138 | 10-4, 10-12 |
| 2258-W-803 | 2-15, 2-21, 2-22, 2-23, 2-24, 2-26, 3-13 | 3280-C-9155 | 6-5 | A-1779-M-195 | 10-2, 10-3, 10-13 |
| | | 3280-X-7356 | 10-4, 10-11 | A-2247-D-56 | 10-4, 10-5, 10-14 |
| | | | | A-2247-D-1018 | 10-2, 10-3, 10-14 |

NUMERICAL PARTS LISTING

| PART NUMBER | PAGE | PART NUMBER | PAGE | PART NUMBER | PAGE |
|----------------|-----------------------------|----------------|-------|----------------|-----------------------|
| A-2247-E-1019 | 10-14 | K-2618 | 5-2 | KIT 8289 | 7-54 |
| A-2247-F-1020 | 10-14 | KIT 1105B | 10-2 | KIT 8883 | 7-46 |
| A-2247-Y-51 | 10-5, 10-14 | KIT 1106B | 10-2 | KIT 9006B | 10-2 |
| A-2247-Z-52 | 10-4, 10-14 | KIT 1114 | 10-4 | KIT 9006LHB | 10-2 |
| A-2257-M-1079 | 9-3 | KIT 1125 | 2-9 | KIT 9006RHB | 10-2 |
| A-2260-U-1113 | 8-12, 8-13, 8-17 | KIT 1129 | 10-6 | KIT 9005 | 2-18 |
| A-2297-B-5670 | 10-1, 10-10 | KIT 1134 | 10-4 | KIT 9017N | 2-18 |
| A-2297-L-3158 | 10-ii, 10-2, 10-3, 10-9 | KIT 1164 | 10-2 | KIT 9020 | 2-26 |
| A-2297-N-2822 | 10-5 | KIT 1165 | 10-ii | KIT 9035 | 7-52 |
| A-2297-N-2874 | 10-9 | KIT 1168 | 10-ii | KIT 9081 | 2-18 |
| A-2297-V-2882 | 10-1 | KIT 1186B | 10-4 | KIT 9094 | 2-10 |
| A-3105-A-183 | 10-4 | KIT 1191 | 10-1 | KIT 9143 | 2-10 |
| A-3105-D-1148 | 7-53, 7-68 | KIT 1197B | 10-5 | KIT 9179 | 2-25 |
| A-3105-K-219 | 7-50, 7-51, 7-68 | KIT 1197C | 10-5 | KIT 9300 | 7-46 |
| A-3105-L-1078 | 7-49, 7-53, 7-54, 7-69 | KIT 6000 | 2-4 | KIT 9304 | 7-46 |
| A-3222-A-2159 | 4-3 | KIT 6003 | 2-4 | LW-1912 | 2-17, 2-18 |
| A-3222-C-1381 | 4-7 | KIT 6004 | 2-4 | M27-3276-L-12 | 9-1 |
| A-3222-D-1356 | 4-7 | KIT 6005 | 2-5 | M28-3276-L-12 | 9-1 |
| A-3222-D-2110 | 4-3 | KIT 6008 | 2-5 | M33-3276-L-12 | 9-1 |
| A-3222-E-1383 | 4-7 | KIT 6010 | 2-5 | M35-3276-L-12 | 9-1 |
| A-3222-E-2111 | 4-3 | KIT 8000 | 2-20 | MKT 1308E | 2-6 |
| A-3222-F-1072 | 4-3 | KIT 8000BULK | 2-20 | MKT 1308EB | 2-6 |
| A-3222-F-1982 | 4-2 | KIT 8000HD | 2-24 | MKT 1308Q | 2-9 |
| A-3222-F-2112 | 4-3 | KIT 8000HDBULK | 2-24 | MKT 1308T | 2-10 |
| A-3222-F-2294 | 4-5 | KIT 8000MB | 2-21 | MKT 4311EHDB | 2-11 |
| A-3222-G-1541 | 4-7 | KIT 8000MBHD | 2-21 | MKT 4311EHDK | 2-11 |
| A-3222-H-2296 | 4-5 | KIT 8002HD | 2-24 | MKT 4311EHDN | 2-11 |
| A-3222-J-1440 | 4-7 | KIT 8002HDBULK | 2-24 | MKT 4515U | 2-25 |
| A-3222-J-2272 | 4-8 | KIT 8002SS | 2-21 | MKT 4515UHD | 2-25 |
| A-3222-K-2169 | 4-8 | KIT 8004 | 2-ii | MKT 4515UHDK | 2-25 |
| A-3222-N-1314 | 4-3 | KIT 8007 | 7-58 | MKT 4702KT | 2-9 |
| A-3222-P-1992 | 4-8 | KIT 8008 | 7-58 | MKT 4702KTB | 2-9 |
| A-3222-P-2200 | 4-8 | KIT 8009 | 7-58 | MKT 4702KTK | 2-9 |
| A-3222-Q-1317 | 4-3 | KIT 8010 | 7-58 | MKT 4709ESB | 2-12 |
| A-3222-S-2021 | 4-3 | KIT 8014 | 2-21 | MKT 4709ESN | 2-12 |
| A-3222-T-1346 | 4-7 | KIT 8014HD | 2-24 | MKT 4709ES2B | 2-14 |
| A-3222-V-1348 | 4-7 | KIT 8020 | 2-26 | MKT 4709ES2N | 2-14 |
| A-3222-V-2466 | 4-ii | KIT 8021 | 2-7 | MKT 4515QB | 2-16 |
| A-3222-X-1142 | 4-5 | KIT 8022 | 7-45 | MKT 4515QHDN | 2-16 |
| A-3222-Z-2288 | 4-8 | KIT 8026HD | 2-22 | MKT 4515QHDNB | 2-16 |
| A-3236-M-1521 | 6-1 | KIT 8027 | 2-22 | MKT 4515QHDNK | 2-16 |
| A-3236-Z-1274 | 6-3 | KIT 8029 | 2-8 | MKT 4515QK | 2-16 |
| A-3264-C-1381 | 6-1 | KIT 8029A | 2-8 | MKT 4515QMBB | 2-17 |
| A-3264-G-1281 | 6-ii | KIT 8032 | 7-44 | MKT 4515QMBHDB | 2-17 |
| A-3264-S-227 | 6-2 | KIT 8033 | 7-52 | MKT 4515QMBHDK | 2-17 |
| A-3280-U-8185 | 10-11 | KIT 8037 | 2-22 | MKT 4515QMBHDN | 2-17 |
| A-3280-V-8186 | 10-11 | KIT 8042 | 7-47 | MKT 4515QMBK | 2-17 |
| A-3280-V-8186S | 10-ii, 10-2, 10-3 | KIT 8048 | 7-43 | MKT 4515QMBN | 2-17 |
| A-3280-W-8187 | 10-ii, 10-11 | KIT 8061 | 2-8 | MKT 4515P | 2-19 |
| A-3280-X-8188 | 10-11 | KIT 8070 | 6-5 | MKT 4515PHD | 2-19 |
| A-3299-T-5844 | 7-67 | KIT 8078 | 7-53 | MKT 4515PHDB | 2-19 |
| A-3722-D-82 | 4-5 | KIT 8318SS | 2-24 | MKT 4515PHDK | 2-19 |
| A-3722-N-66 | 4-5 | KIT 8824HD | 2-8 | MKT 4515QN | 2-16 |
| A-3722-T-358 | 4-3 | KIT 8844HD | 2-23 | MKT 4515X | 2-14 |
| A-3736-W-907 | 6-2 | KIT 8846HD | 2-23 | MKT 4515XB | 2-14 |
| A-3780-R-122 | 9-2 | KIT 8846HD1X | 2-17 | MKT 4515XHD | 2-15 |
| A1-3236-A-1249 | 6-2 | KIT 8846HD2X | 2-18 | MKT 4515XHDB | 2-15 |
| B4-3775-L-12 | 9-1 | KIT 8847HDA | 2-9 | MKT 4515XHDK | 2-15 |
| K-227 | 5-2, 10-4, 10-5 | KIT 8062 | 7-50 | MKT 4515XX | 2-14 |
| K-235 | 5-2, 8-11, 8-12, 8-13, 8-16 | KIT 8069 | 7-53 | N-14 | 2-26, 5-2, 10-3, 10-6 |
| K-248 | 5-2, 8-11, 8-12, 8-13, 8-16 | KIT 8080 | 2-22 | N-17-1 | 5-2 |
| K-2412 | 5-2 | KIT 8081 | 2-23 | N-19-1 | 5-2 |

NUMERICAL PARTS LISTING

| PART NUMBER | PAGE | PART NUMBER | PAGE | PART NUMBER | PAGE |
|-------------|----------------------------|-------------|---------------------|-------------|-------|
| N-34 | 2-7, 2-26, 5-2 | R002433 | 11-51 | R004963 | 11-4 |
| N-35Z | 5-2 | R002434 | 11-51 | R004964R | 11-18 |
| N-54Z | 5-2, 10-4, 10-5 | R002435 | 11-51 | R004965L | 11-18 |
| N-110-1 | 5-2 | R002436 | 11-51 | R004965R | 11-18 |
| N-112-1 | 2-5, 2-10, 3-10, 5-2 | R002437 | 11-51 | R004966L | 11-18 |
| N-114-1 | 2-5, 3-10, 5-2 | R002438 | 11-51 | R004966R | 11-18 |
| NL-16-1 | 5-2 | R002461 | 11-44, 11-45 | R004967L | 11-18 |
| NL-18-1 | 5-2 | R002462 | 11-44, 11-47, 11-49 | R004967R | 11-18 |
| NL-19-1 | 5-2 | R002463 | 11-44 | R004968L | 11-18 |
| NL-25-1 | 5-2 | R002464 | 11-44 | R004968R | 11-18 |
| NL-26-1 | 5-2 | R002465 | 11-44 | R004969L | 11-18 |
| NL-110-1 | 5-2 | R002467 | 11-44 | R004969R | 11-18 |
| NL-112-1 | 2-7, 2-8, 5-2 | R002468 | 11-44 | R004975R | 11-2 |
| NL-114-1 | 5-2 | R002550 | 11-35 | R004979R | 11-2 |
| P-12 | 2-4 | R002658 | 11-42, 11-43 | R004988L | 11-21 |
| R40H1456 | 6-4 | R002659 | 11-42, 11-43 | R004988R | 11-21 |
| R1308E | 4-2 | R002660 | 11-42, 11-43 | R004990 | 11-31 |
| R4311 | 4-4 | R002663 | 11-43 | R005007 | 11-4 |
| R4515 | 4-7 | R003009 | 11-38 | R005008 | 11-4 |
| R4515F3 | 4-5 | R003010 | 11-35 | R005012 | 11-31 |
| R4515P | 4-6 | R003130L | 11-ii | R005018 | 11-30 |
| R4551Q | 4-7 | R003130R | 11-ii | R005032 | 11-29 |
| R4707 | 4-8 | R003501 | 11-40 | R005040AG | 11-32 |
| R4709 | 4-4 | R003504 | 11-46 | R005044 | 11-32 |
| R4709G2 | 4-4 | R003505 | 11-46 | R005045 | 11-32 |
| R4729 | 4-2 | R003506 | 11-46 | R005046 | 11-34 |
| R000540 | 11-36, 11-39 | R003507 | 11-46 | R005055 | 11-32 |
| R000572 | 11-36, 11-38, 11-39 | R003508 | 11-46 | R005500 | 11-51 |
| R000573 | 11-36, 11-38, 11-39, 11-45 | R003509 | 11-46 | R005551L | 11-6 |
| R600R0X | 6-5 | R003510 | 11-42 | R005551R | 11-6 |
| R000943 | 7-50, 7-64 | R003723L | 11-8 | R005553L | 11-6 |
| R001087 | 11-39 | R003723R | 11-8 | R005553R | 11-6 |
| R001251 | 11-36 | R003728L | 11-8 | R005554L | 11-2 |
| R001252 | 11-35 | R004075 | 11-51 | R005554R | 11-2 |
| R001559 | 2-15, 2-23, 11-35 | R004857 | 11-47 | R005556L | 11-6 |
| R001561 | 11-35 | R004862 | 11-45 | R005556R | 11-6 |
| R001623L | 11-13 | R004863 | 11-45 | R005557L | 11-6 |
| R001623R | 11-13 | R004865 | 11-39 | R005557R | 11-6 |
| R001905 | 11-13 | R004868 | 11-41 | R005558L | 11-5 |
| R002002 | 11-29 | R004869 | 11-40 | R005558R | 11-5 |
| R002128 | 11-36 | R004876 | 11-44 | R005559L | 11-6 |
| R002237 | 11-38, 11-39 | R004877 | 11-47 | R005559R | 11-6 |
| R002296 | 11-41 | R004878 | 11-45 | R005560L | 11-6 |
| R002297 | 11-41 | R004879 | 11-39 | R005560R | 11-6 |
| R002298 | 11-41 | R004881 | 11-47 | R005561L | 11-6 |
| R002299 | 11-41 | R004942 | 11-29 | R005561R | 11-6 |
| R002300 | 11-41 | R004944 | 11-29 | R005570 | 11-32 |
| R002301 | 11-41 | R004945 | 11-29 | R005571AG | 11-32 |
| R002302 | 11-41 | R004946 | 11-29 | R005572AG | 11-32 |
| R002303 | 11-37, 11-38, 11-45, 11-49 | R004948 | 11-29 | R005576L | 11-3 |
| R002304 | 11-45, 11-49 | R004949 | 11-29 | R005576R | 11-3 |
| R002305 | 11-37, 11-38, 11-46, 11-49 | R004950 | 11-29 | R005577L | 11-3 |
| R002340 | 11-51 | R004951 | 11-29 | R005577R | 11-3 |
| R002341 | 11-51 | R004952 | 11-29 | R005579L | 11-3 |
| R002417 | 11-48 | R004953 | 11-29 | R005579R | 11-3 |
| R002418 | 11-48 | R004955 | 11-30 | R005585L | 11-6 |
| R002419 | 11-48 | R004956A | 11-30 | R005585R | 11-6 |
| R002422 | 11-48 | R004957 | 11-30 | R005587L | 11-21 |
| R002423 | 11-49 | R004958 | 11-30 | R005588L | 11-21 |
| R002424 | 11-49 | R004960 | 11-28 | R005588R | 11-21 |
| R002425 | 11-49 | R004961A | 2-11, 11-4 | R005589L | 11-5 |
| R002431 | 11-51 | R004962 | 11-4 | R005589R | 11-5 |

NUMERICAL PARTS LISTING

| PART NUMBER | PAGE | PART NUMBER | PAGE | PART NUMBER | PAGE |
|-------------|-------|-------------|-------|-------------|-------|
| R005612R | 11-23 | R005783G | 11-32 | R005922R | 11-9 |
| R005618L | 11-21 | R005784G | 11-32 | R005923L | 11-10 |
| R005618R | 11-21 | R005785G | 11-32 | R005923R | 11-10 |
| R005632 | 11-20 | R005796 | 11-28 | R005924L | 11-10 |
| R005652L | 11-2 | R005798 | 11-28 | R005924R | 11-10 |
| R005652R | 11-2 | R005799 | 11-28 | R005927G | 11-32 |
| R005682 | 11-20 | R005800 | 11-28 | R005929L | 11-7 |
| R005683 | 11-20 | R005801 | 11-28 | R005929R | 11-7 |
| R005702 | 11-29 | R005820 | 11-32 | R005930L | 11-7 |
| R005704 | 11-3 | R005821G | 11-32 | R005930R | 11-7 |
| R005706 | 11-30 | R005822 | 11-32 | R005931L | 11-7 |
| R005708 | 11-3 | R005824 | 11-34 | R005931R | 11-7 |
| R005710 | 11-3 | R005825 | 11-34 | R005932L | 11-7 |
| R005711 | 11-3 | R005827G | 11-32 | R005932R | 11-7 |
| R005713L | 11-5 | R005828G | 11-32 | R005933L | 11-7 |
| R005713R | 11-5 | R005829G | 11-32 | R005933R | 11-7 |
| R005714L | 11-5 | R005837 | 11-32 | R005935L | 11-8 |
| R005714R | 11-5 | R005839 | 11-32 | R005935R | 11-8 |
| R005715L | 11-5 | R005841 | 11-33 | R005936L | 11-8 |
| R005715R | 11-5 | R005868L | 11-12 | R005936R | 11-8 |
| R005716L | 11-5 | R005868R | 11-12 | R005944 | 11-28 |
| R005716R | 11-5 | R005869L | 11-18 | R005946 | 11-28 |
| R005717L | 11-5 | R005869R | 11-18 | R005947 | 11-28 |
| R005718L | 11-15 | R005870L | 11-18 | R005949 | 11-28 |
| R005718R | 11-15 | R005870R | 11-18 | R005952 | 11-29 |
| R005719L | 11-15 | R005871L | 11-15 | R005953G | 11-34 |
| R005719R | 11-15 | R005871R | 11-15 | R005954 | 11-28 |
| R005720L | 11-15 | R005872 | 11-28 | R005955 | 11-28 |
| R005720R | 11-15 | R005876L | 11-7 | R005957 | 11-29 |
| R005721L | 11-16 | R005876R | 11-7 | R005960 | 11-29 |
| R005721R | 11-16 | R005883 | 11-32 | R005961 | 11-29 |
| R005722L | 11-16 | R005885G | 11-32 | R005963 | 11-29 |
| R005722R | 11-16 | R005887 | 11-30 | R005964 | 11-29 |
| R005726 | 11-30 | R005890 | 11-33 | R005969 | 11-30 |
| R005727 | 11-30 | R005892 | 11-3 | R005970 | 11-30 |
| R005728 | 11-30 | R005896L | 11-15 | R005971 | 11-30 |
| R005729 | 11-30 | R005896R | 11-15 | R005972 | 11-30 |
| R005734 | 11-3 | R005897L | 11-11 | R005973 | 11-34 |
| R005736 | 11-29 | R005897R | 11-11 | R005977L | 11-2 |
| R005737 | 11-29 | R005898L | 11-12 | R005977R | 11-2 |
| R005739 | 11-29 | R005898R | 11-12 | R005978L | 11-1 |
| R005740 | 11-29 | R005899L | 11-12 | R005978R | 11-1 |
| R005742 | 11-29 | R005899R | 11-12 | R005982L | 11-13 |
| R005743 | 11-29 | R005900L | 11-15 | R005982R | 11-13 |
| R005747 | 11-32 | R005900R | 11-15 | R005983L | 11-15 |
| R005748L | 11-11 | R005902G | 11-33 | R005983R | 11-15 |
| R005748R | 11-11 | R005904A | 11-34 | R005985L | 11-13 |
| R005749L | 11-11 | R005905AG | 11-34 | R005985R | 11-13 |
| R005749R | 11-11 | R005906 | 11-34 | R005986L | 11-11 |
| R005750L | 11-12 | R005909L | 11-16 | R005986R | 11-11 |
| R005750R | 11-12 | R005909R | 11-16 | R005987L | 11-15 |
| R005756L | 11-18 | R005910L | 11-16 | R005987R | 11-15 |
| R005756R | 11-18 | R005910R | 11-16 | R005988L | 11-1 |
| R005757L | 11-19 | R005911L | 11-16 | R005988R | 11-1 |
| R005757R | 11-19 | R005911R | 11-16 | R005989L | 11-7 |
| R005761 | 11-31 | R005916L | 11-10 | R005989R | 11-7 |
| R005764L | 11-18 | R005916R | 11-10 | R005990L | 11-8 |
| R005765L | 11-18 | R005918L | 11-8 | R005990R | 11-8 |
| R005765R | 11-18 | R005918R | 11-8 | R005991 | 11-3 |
| R005766L | 11-19 | R005920L | 11-8 | R005992A | 11-24 |
| R005766R | 11-19 | R005920R | 11-8 | R005993 | 11-24 |
| R005776 | 11-18 | R005922L | 11-9 | R005995L | 11-2 |

NUMERICAL PARTS LISTING

| PART NUMBER | PAGE | PART NUMBER | PAGE | PART NUMBER | PAGE |
|---------------|-------|---------------|-------|----------------|-----------|
| R005995R..... | 11-2 | R008954R..... | 11-16 | R009008L..... | 11-17 |
| R005996L..... | 11-2 | R008957L..... | 11-16 | R009008R..... | 11-17 |
| R005996R..... | 11-2 | R008957R..... | 11-16 | R009011L..... | 11-16 |
| R005997..... | 11-26 | R008958L..... | 11-16 | R009011R..... | 11-16 |
| R005998..... | 11-26 | R008958R..... | 11-16 | R009020..... | 11-3 |
| R005999..... | 11-26 | R008961..... | 11-20 | R009021..... | 11-3 |
| R006000A..... | 11-3 | R008962..... | 11-20 | R009022R..... | 11-3 |
| R006023L..... | 11-6 | R008964..... | 11-19 | R009023G..... | 11-33 |
| R006023R..... | 11-6 | R008965..... | 11-19 | R009024..... | 11-33 |
| R006024R..... | 11-6 | R008966L..... | 11-12 | R009095..... | 6-5 |
| R006026L..... | 11-22 | R008966R..... | 11-12 | R009261..... | 11-30 |
| R006026R..... | 11-22 | R008968L..... | 11-14 | R009262..... | 11-30 |
| R006027L..... | 11-22 | R008968R..... | 11-14 | R009524L..... | 11-16 |
| R006027R..... | 11-22 | R008969L..... | 11-14 | R009524R..... | 11-16 |
| R006028L..... | 11-22 | R008969R..... | 11-14 | R009525L..... | 11-16 |
| R006028R..... | 11-22 | R008972L..... | 11-12 | R009525R..... | 11-16 |
| R006033L..... | 11-11 | R008972R..... | 11-12 | R009526..... | 11-27 |
| R006033R..... | 11-11 | R008976L..... | 11-9 | R0010202L..... | 11-14 |
| R006034..... | 11-27 | R008976R..... | 11-9 | R0010202R..... | 11-14 |
| R006035..... | 11-27 | R008977L..... | 11-16 | R0010206L..... | 11-14 |
| R006036..... | 11-27 | R008977R..... | 11-16 | R0010206R..... | 11-14 |
| R006053..... | 11-34 | R008978L..... | 11-16 | R0010208L..... | 11-14 |
| R006054G..... | 11-34 | R008978R..... | 11-16 | R0010208R..... | 11-14 |
| R006057L..... | 11-15 | R008979L..... | 11-14 | R0010209L..... | 11-14 |
| R006057R..... | 11-15 | R008979R..... | 11-14 | R0010209R..... | 11-14 |
| R006058L..... | 11-22 | R008980..... | 11-27 | R0010210L..... | 11-14 |
| R006058R..... | 11-22 | R008981..... | 11-27 | R0010210R..... | 11-14 |
| R006059L..... | 11-22 | R008982L..... | 11-14 | R0010213L..... | 11-22 |
| R006059R..... | 11-22 | R008982R..... | 11-14 | R0010213R..... | 11-22 |
| R006060L..... | 11-3 | R008983L..... | 11-14 | R0010214L..... | 11-22 |
| R006060R..... | 11-3 | R008983R..... | 11-14 | R0010214R..... | 11-22 |
| R006141..... | 11-47 | R008985L..... | 11-12 | R0010215..... | 11-27 |
| R006142..... | 11-45 | R008985R..... | 11-12 | R0010216..... | 11-27 |
| R006142..... | 11-49 | R008986..... | 11-28 | R0010217..... | 11-27 |
| R006144..... | 11-46 | R008987..... | 11-27 | R0010218..... | 11-27 |
| R007118..... | 11-51 | R008988..... | 11-27 | R0010219..... | 11-27 |
| R007224..... | 11-29 | R008990L..... | 11-12 | R0010220..... | 11-27 |
| R007664..... | 11-37 | R008990R..... | 11-12 | R0010221..... | 11-27 |
| R007665..... | 11-37 | R008992L..... | 11-14 | R0010222..... | 11-27 |
| R007666..... | 11-37 | R008992R..... | 11-14 | R0010225L..... | 11-13 |
| R007775..... | 11-4 | R008993L..... | 11-14 | R0010225R..... | 11-13 |
| R007895L..... | 11-ii | R008993R..... | 11-14 | R0010228L..... | 11-13 |
| R007895R..... | 11-ii | R008994L..... | 11-14 | R0010228R..... | 11-13 |
| R007896L..... | 11-ii | R008994R..... | 11-14 | R0010229..... | 11-13 |
| R007896R..... | 11-ii | R008995L..... | 11-12 | R0010234..... | 11-3 |
| R007897L..... | 11-ii | R008995R..... | 11-12 | R0010235..... | 11-3 |
| R007897R..... | 11-ii | R008996L..... | 11-12 | R0010242..... | 11-27 |
| R007898L..... | 11-ii | R008996R..... | 11-12 | R0010254L..... | 11-2 |
| R007898R..... | 11-ii | R008997..... | 11-24 | R0010254R..... | 11-2 |
| R008946L..... | 11-19 | R009000L..... | 11-10 | R0010256..... | 11-24 |
| R008946R..... | 11-19 | R009000R..... | 11-10 | R0010257..... | 11-24 |
| R008947L..... | 11-17 | R009001L..... | 11-12 | R0010258L..... | 11-21 |
| R008947R..... | 11-17 | R009001R..... | 11-12 | R0010259L..... | 11-21 |
| R008948L..... | 11-5 | R009002L..... | 11-10 | R0010259R..... | 11-21 |
| R008948R..... | 11-5 | R009002R..... | 11-10 | R0010675..... | 11-27 |
| R008949L..... | 11-20 | R009003L..... | 11-17 | R0010676..... | 11-27 |
| R008949R..... | 11-20 | R009003R..... | 11-17 | R301107..... | 2-3, 3-10 |
| R008951L..... | 11-9 | R009004L..... | 11-10 | R301835..... | 11-4 |
| R008951R..... | 11-9 | R009004R..... | 11-10 | R507000..... | 2-ii |
| R008952L..... | 11-23 | R009005L..... | 11-10 | R507002..... | 2-12 |
| R008952R..... | 11-23 | R009005R..... | 11-10 | R507004..... | 2-6 |
| R008954L..... | 11-16 | R009007..... | 11-8 | R507005..... | 2-ii |

NUMERICAL PARTS LISTING

| PART NUMBER | PAGE | PART NUMBER | PAGE | PART NUMBER | PAGE |
|-------------|-----------------------------|-------------|----------------------------|-------------|------------|
| R507006 | 2-15 | R547008 | 2-1, 2-13, 2-19, 2-20, 3-7 | R607024 | 7-29 |
| R507008 | 2-15 | R547010 | 2-2 | R607025 | 7-28 |
| R507010 | 2-15 | R547011 | 2-2 | R607026 | 7-28 |
| R507011 | 2-15 | R547012 | 2-1, 2-3 | R607028 | 7-40 |
| R507014 | 2-3 | R547013 | 2-3 | R607029 | 7-24 |
| R507015 | 2-3 | R547015 | 2-3 | R607030 | 7-24 |
| R507057 | 2-12 | R547016 | 2-1, 2-3 | R607031 | 7-7 |
| R507062 | 2-13 | R547019 | 2-11 | R607032 | 7-7 |
| R507064 | 2-13 | R547020 | 2-11 | R607033 | 7-8 |
| R507067 | 2-3 | R547021 | 2-11 | R607034 | 7-8 |
| R507068 | 2-3 | R547022 | 2-11 | R607035 | 7-24 |
| R507069 | 2-17 | R547024 | 2-13 | R607036 | 7-24 |
| R507072 | 2-25 | R547025 | 2-13 | R607037 | 7-25 |
| R507073 | 2-11 | R547026 | 2-13 | R607038 | 7-25 |
| R507074 | 2-1 | R547028 | 2-23, 3-5 | R607040 | 7-7 |
| R507075 | 2-1 | R547029 | 2-17 | R607041 | 7-8 |
| R507076 | 2-2 | R547030 | 2-17 | R607042 | 7-8 |
| R507077 | 2-12 | R547031 | 2-17 | R607045 | 7-28 |
| R507078 | 2-2 | R547032 | 2-17 | R607046 | 7-28 |
| R507079 | 2-26 | R557001 | 2-1, 2-2, 2-3, 3-11 | R607047 | 7-28 |
| R507080 | 2-6 | R567002 | 2-ii, 3-12 | R607048 | 7-28 |
| R507081 | 2-11 | R567003 | 2-ii, 3-12 | R607049 | 7-25 |
| R507082 | 2-11 | R567004 | 2-ii | R607050 | 7-25 |
| R507083 | 2-7 | R567005 | 2-ii, 2-1, 2-2, 2-3, 3-12 | R607063 | 7-7 |
| R507084 | 2-13 | R567006 | 3-11 | R607064 | 7-7 |
| R507085 | 2-13 | R567009 | 2-6, 3-12 | R607067 | 7-10, 7-22 |
| R507086 | 2-7 | R567011 | 2-3, 3-11 | R607068 | 7-10, 7-22 |
| R507087 | 2-23 | R567012 | 2-7, 2-14, 3-11 | R607069 | 7-10, 7-22 |
| R507088 | 2-1 | R567013 | 2-7 | R607070 | 7-10, 7-22 |
| R507090 | 2-2 | R567015 | 2-11 | R607071 | 7-3 |
| R507092 | 2-1 | R567017 | 2-12, 3-11 | R607072 | 7-3 |
| R507093 | 2-2 | R567020 | 2-13 | R607073 | 7-3 |
| R507094 | 2-14 | R567021 | 2-13 | R607074 | 7-3 |
| R507095 | 2-ii | R567023 | 2-17 | R607075 | 7-3 |
| R509000 | 2-19 | R567027 | 2-25 | R607076 | 7-3 |
| R509001 | 2-20 | R567028 | 2-25 | R607077 | 7-3 |
| R509063 | 2-20 | R567501 | 2-6, 3-11 | R607078 | 7-3 |
| R517001 | 2-6, 3-1 | R567502 | 2-12, 3-11 | R607079 | 7-3 |
| R517002 | 2-ii, 3-ii | R567503 | 2-12, 2-13, 3-11 | R607080 | 7-3 |
| R517003 | 2-ii, 2-2, 2-3, 2-26, 3-2 | R567504 | 2-13 | R607081 | 7-9 |
| R517005 | 2-ii | R567505 | 2-13, 2-14, 3-12 | R607082 | 7-9 |
| R517006 | 2-12, 3-2 | R570004 | 2-13 | R607085 | 7-3 |
| R517012 | 2-13 | R570005 | 2-17 | R607086 | 7-3 |
| R517013 | 2-13 | R577001 | 2-2, 2-3, 3-15 | R607087 | 7-3 |
| R517014 | 2-13 | R587001 | 2-ii, 3-10, 7-9 | R607088 | 7-3 |
| R517016 | 2-25 | R607002 | 7-9 | R607089 | 7-3 |
| R517017 | 2-25 | R607003 | 7-29 | R607090 | 7-3 |
| R517506 | 2-ii, 2-2, 2-3, 2-26, 3-3 | R607005 | 7-31 | R607091 | 7-3 |
| R517509 | 2-12, 3-3 | R607006 | 7-31 | R607092 | 7-3 |
| R517510 | 2-7, 2-12, 2-13, 2-14, 3-ii | R607007 | 7-31 | R607095 | 7-3 |
| R527001 | 2-ii, 3-4 | R607010 | 7-31 | R607096 | 7-3 |
| R527002 | 2-15, 2-16, 3-4 | R607011 | 7-30 | R607097 | 7-3 |
| R537001 | 2-1, 2-2, 2-3, 3-5 | R607012 | 7-30 | R607098 | 7-3 |
| R537003 | 2-ii | R607015 | 7-24 | R607101 | 7-9 |
| R537004 | 2-15 | R607016 | 7-24 | R607102 | 7-9 |
| R537005 | 2-15, 3-5 | R607017 | 7-24 | R607103 | 7-25 |
| R537006 | 2-3 | R607018 | 7-24 | R607104 | 7-25 |
| R547001 | 2-1, 2-3 | R607019 | 7-30 | R607105 | 7-26 |
| R547003 | 2-1, 2-2, 2-3 | R607020 | 7-30 | R607106 | 7-26 |
| R547004 | 2-1, 2-2, 2-3 | R607021 | 7-9 | R607107 | 7-27 |
| R547005 | 2-3, 3-8 | R607022 | 7-9 | R607108 | 7-27 |
| R547007 | 2-3 | R607023 | 7-29 | R607109 | 7-27 |

NUMERICAL PARTS LISTING

| PART NUMBER | PAGE | PART NUMBER | PAGE | PART NUMBER | PAGE |
|-------------|------|-------------|------|-------------|------------------------|
| R607110 | 7-27 | R607198 | 7-39 | R607276 | 7-33 |
| R607111 | 7-26 | R607199 | 7-39 | R607277 | 7-37 |
| R607112 | 7-26 | R607200 | 7-39 | R607278 | 7-37 |
| R607113 | 7-27 | R607202 | 7-32 | R607279 | 7-26 |
| R607114 | 7-27 | R607203 | 7-32 | R607280 | 7-26 |
| R607115 | 7-27 | R607204 | 7-32 | R607281 | 7-26 |
| R607116 | 7-27 | R607205 | 7-32 | R607282 | 7-26 |
| R607117 | 7-23 | R607206 | 7-32 | R607283 | 7-26 |
| R607118 | 7-23 | R607207 | 7-32 | R607284 | 7-26 |
| R607119 | 7-23 | R607209 | 7-32 | R607285 | 7-40 |
| R607120 | 7-23 | R607210 | 7-32 | R607286 | 7-40 |
| R607124 | 7-23 | R607211 | 7-32 | R607287 | 7-40 |
| R607133 | 7-23 | R607212 | 7-32 | R607288 | 7-40 |
| R607134 | 7-23 | R607213 | 7-32 | R607289 | 7-40 |
| R607135 | 7-23 | R607214 | 7-32 | R607290 | 7-40 |
| R607136 | 7-23 | R607215 | 7-32 | R607291 | 7-40 |
| R607137 | 7-23 | R607216 | 7-32 | R607292 | 7-40 |
| R607138 | 7-23 | R607218 | 7-32 | R607293 | 7-40 |
| R607141 | 7-23 | R607221 | 7-36 | R607294 | 7-40 |
| R607142 | 7-23 | R607222 | 7-36 | R607295 | 7-40 |
| R607147 | 7-24 | R607223 | 7-38 | R607297 | 7-40 |
| R607148 | 7-24 | R607224 | 7-38 | R607298 | 7-40 |
| R607149 | 7-24 | R607225 | 7-39 | R607315 | 7-37 |
| R607150 | 7-24 | R607226 | 7-39 | R607316 | 7-37 |
| R607151 | 7-26 | R607227 | 7-37 | R607317 | 7-37 |
| R607152 | 7-26 | R607228 | 7-37 | R607318 | 7-37 |
| R607153 | 7-26 | R607229 | 7-37 | R607319 | 7-37 |
| R607154 | 7-26 | R607230 | 7-37 | R607320 | 7-37 |
| R607155 | 7-26 | R607231 | 7-37 | R607321 | 7-37 |
| R607156 | 7-26 | R607232 | 7-37 | R607322 | 7-37 |
| R607161 | 7-30 | R607233 | 7-37 | R607323 | 7-41 |
| R607162 | 7-30 | R607234 | 7-37 | R607324 | 7-41 |
| R607163 | 7-29 | R607235 | 7-38 | R607325 | 7-41 |
| R607164 | 7-29 | R607236 | 7-38 | R607326 | 7-41 |
| R607168 | 7-31 | R607237 | 7-38 | R615000 | 7-42 |
| R607169 | 7-36 | R607238 | 7-38 | R615001 | 7-43 |
| R607170 | 7-36 | R607239 | 7-31 | R615008 | 7-55 |
| R607171 | 7-36 | R607241 | 7-31 | R615002 | 7-44 |
| R607172 | 7-36 | R607242 | 7-31 | R615003 | 7-47 |
| R607173 | 7-38 | R607243 | 7-31 | R615004 | 7-47 |
| R607174 | 7-38 | R607244 | 7-31 | R615005 | 7-42 |
| R607175 | 7-38 | R607248 | 7-34 | R615006 | 7-42 |
| R607176 | 7-38 | R607249 | 7-34 | R615007 | 7-42 |
| R607177 | 7-38 | R607250 | 7-34 | R615008 | 7-55 |
| R607178 | 7-38 | R607251 | 7-34 | R615009 | 7-49 |
| R607179 | 7-39 | R607252 | 7-34 | R615010 | 7-43 |
| R607180 | 7-39 | R607253 | 7-34 | R615013 | 7-44 |
| R607181 | 7-39 | R607254 | 7-34 | R615015 | 7-45 |
| R607182 | 7-39 | R607261 | 7-24 | R615021 | 7-45 |
| R607183 | 7-39 | R607262 | 7-24 | R615022 | 7-48 |
| R607184 | 7-39 | R607263 | 7-30 | R615024 | 7-48 |
| R607185 | 7-38 | R607264 | 7-30 | R615026 | 2-6 |
| R607186 | 7-38 | R607266 | 7-32 | R617001 | 7-43, 7-65 |
| R607189 | 7-36 | R607267 | 7-41 | R617002 | 7-43, 7-55, 7-65 |
| R607190 | 7-36 | R607268 | 7-41 | R617003 | 7-43, 7-49, 7-55, 7-64 |
| R607191 | 7-35 | R607269 | 7-33 | R617005 | 7-47, 7-66 |
| R607192 | 7-35 | R607270 | 7-33 | R617006 | 7-47, 7-65 |
| R607193 | 7-35 | R607271 | 7-33 | R617007 | 7-42, 7-65 |
| R607194 | 7-35 | R607272 | 7-33 | R617008 | 7-42, 7-65 |
| R607195 | 7-39 | R607273 | 7-33 | R617009 | 7-42, 7-66 |
| R607196 | 7-39 | R607274 | 7-33 | R617015 | 7-55 |
| R607197 | 7-39 | R607275 | 7-33 | R627002 | 7-42, 7-47, 7-61 |

NUMERICAL PARTS LISTING

| PART NUMBER | PAGE | PART NUMBER | PAGE | PART NUMBER | PAGE |
|-------------|--|-------------|------------------------|-------------|------|
| R627005 | 7-44, 7-45, 7-47, 7-59 | R700017 | 4-2 | R802290 | 8-7 |
| R627006 | 7-44, 7-45, 7-47, 7-59 | R700018 | 4-2 | R802291 | 8-7 |
| R627008 | 7-42, 7-43, 7-44, 7-47, 7-49, 7-70 | R700022 | 4-2 | R802300 | 8-7 |
| R627009 | 7-42, 7-47, 7-65 | R700024 | 4-4 | R802301 | 8-7 |
| R627011 | 7-48, 7-49 | R700025 | 4-4 | R802310 | 8-7 |
| R627012 | 7-44, 7-45, 7-47, 7-63 | R700026 | 4-4 | R802311 | 8-7 |
| R627014 | 7-42, 7-47 | R700028 | 4-ii | R802316 | 8-7 |
| R627015 | 7-47, 7-71 | R700029 | 4-ii | R802317 | 8-7 |
| R627017 | 7-42, 7-55, 7-63 | R700030 | 4-ii | R802320 | 8-7 |
| R627018 | 7-42, 7-43, 7-45, 7-47, 7-48, 7-55, 7-70 | R700031 | 4-ii | R802321 | 8-7 |
| R627019 | 7-42 | R704591 | 4-1 | R802332 | 8-8 |
| R627022 | 7-65 | R801001 | 8-6 | R802333 | 8-8 |
| R627024 | 7-43, 7-61 | R801002 | 8-6 | R802354 | 8-8 |
| R627025 | 7-43, 7-61 | R801003 | 8-6 | R802355 | 8-8 |
| R627026 | 7-71 | R801004 | 8-6 | R802356 | 8-8 |
| R627027 | 7-48, 7-63 | R801040 | 8-8 | R802357 | 8-8 |
| R627028 | 7-59 | R801041 | 8-7 | R802361 | 8-8 |
| R627029 | 7-44, 7-64 | R801042 | 8-8 | R802371 | 8-8 |
| R627030 | 7-44, 7-70 | R801043 | 8-8 | R802380 | 8-8 |
| R627031 | 7-44, 7-59 | R801044 | 8-8 | R802381 | 8-8 |
| R627032 | 7-44, 7-59 | R801045 | 8-8 | R802382 | 8-8 |
| R627033 | 7-45, 7-60 | R801048 | 8-8 | R802383 | 8-8 |
| R627034 | 7-55, 7-66 | R801070 | 8-9 | R802412 | 8-8 |
| R627039 | 7-63 | R801071 | 8-10 | R802413 | 8-8 |
| R627043 | 7-55, 7-62 | R801072 | 8-9 | R802414 | 8-8 |
| R627044 | 7-55 | R801073 | 8-9 | R802415 | 8-8 |
| R630002 | 7-68 | R801074 | 8-10 | R802416 | 8-9 |
| R630003 | 7-68 | R801075 | 8-10 | R802417 | 8-9 |
| R630006 | 7-68 | R801077 | 8-8 | R802420 | 8-9 |
| R657001 | 7-42, 7-43, 7-48, 7-64 | R801079 | 8-9 | R802421 | 8-9 |
| R657003 | 7-42, 7-66 | R801080 | 8-9 | R802430 | 8-9 |
| R670001 | 10-ii, 10-1 | R801100 | 8-10 | R802431 | 8-9 |
| R670002 | 10-ii, 10-1 | R801101 | 8-10 | R802440 | 8-9 |
| R670003 | 10-ii, 10-1 | R801102 | 8-10 | R802441 | 8-9 |
| R670004 | 10-ii, 10-1 | R801700 | 8-11, 8-12, 8-13, 8-16 | R802444 | 8-9 |
| R670005 | 10-ii, 10-1 | R802002 | 8-6 | R802445 | 8-9 |
| R670006 | 10-ii, 10-1 | R802003 | 8-6 | R802446 | 8-9 |
| R670007 | 10-17 | R802020 | 8-6 | R802447 | 8-9 |
| R670008 | 10-17 | R802021 | 8-6 | R802462 | 8-9 |
| R670009 | 10-8 | R802022 | 8-6 | R802463 | 8-9 |
| R670014 | 10-14 | R802030 | 8-6 | R802486 | 8-10 |
| R670015 | 10-ii | R802031 | 8-6 | R802487 | 8-10 |
| R670016 | 10-1 | R802032 | 8-6 | R802490 | 8-10 |
| R670018 | 10-ii, 10-1 | R802033 | 8-6 | R802491 | 8-10 |
| R670019 | 10-ii, 10-1 | R802040 | 8-6 | R802512 | 8-10 |
| R670020 | 10-ii, 10-1 | R802041 | 8-6 | R802513 | 8-10 |
| R670021 | 10-ii, 10-1 | R802042 | 8-6 | R802616 | 8-10 |
| R670022 | 10-ii, 10-1 | R802043 | 8-6 | R802620 | 8-10 |
| R670023 | 10-1, 10-7 | R802048 | 8-6 | R802621 | 8-10 |
| R670024 | 10-1, 10-7 | R802049 | 8-6 | R802644 | 8-7 |
| R670015 | 10-1 | R802050 | 8-6 | R802645 | 8-7 |
| R670026 | 10-ii, 10-1 | R802053 | 8-6 | R802648 | 8-9 |
| R670027 | 10-ii, 10-1 | R802060 | 8-6 | R802649 | 8-9 |
| R670028 | 10-ii | R802061 | 8-6 | R802656 | 8-7 |
| R670029 | 10-ii, 10-1 | R802062 | 8-6 | R802657 | 8-7 |
| R700004 | 4-ii | R802063 | 8-6 | R802666 | 8-8 |
| R700005 | 4-ii | R802070 | 8-7 | R802684 | 8-9 |
| R700008 | 4-4 | R802071 | 8-7 | R802685 | 8-9 |
| R700011 | 4-1 | R802074 | 8-7 | R806000 | 8-20 |
| R700013 | 4-2 | R802075 | 8-7 | R806001 | 8-18 |
| R700014 | 4-3 | R802280 | 8-7 | R806002 | 8-18 |
| R700015 | 4-ii | R802281 | 8-7 | R806003 | 8-18 |

NUMERICAL PARTS LISTING

| PART NUMBER | PAGE | PART NUMBER | PAGE | PART NUMBER | PAGE |
|-------------|------------|-------------|------------------------|---------------|-----------------------|
| R806004 | 8-18 | R822001 | 8-25 | S-2610-2 | 5-ii |
| R806005 | 8-20 | R822003 | 8-25 | S-2712-2 | 5-ii |
| R806006 | 8-20 | R822004 | 8-25 | S-2810B-2 | 5-ii |
| R806007 | 8-20 | R822004 | 8-25 | S-2811-2 | 5-ii |
| R806008 | 8-20 | R822007 | 8-24 | S-2812-2 | 5-ii |
| R806009 | 8-19 | R822008 | 8-23 | S-2813-2 | 5-ii |
| R806010 | 8-19 | R822009 | 8-25 | S-2816-2 | 5-ii |
| R806011 | 8-19 | R822013 | 8-25 | S-2912B-2 | 5-ii |
| R806012 | 8-19 | R822014 | 8-25 | S-11016-2 | 5-ii |
| R806013 | 8-20 | R823000 | 8-23, 8-25 | V3-3276-T-20 | 9-ii |
| R806014 | 8-20 | R823001 | 8-24, 8-25 | V-3276-D-30 | 9-ii |
| R806015 | 8-20 | R823002 | 8-23, 8-25 | WA-14 | 5-1 |
| R806016 | 8-18 | R823003 | 8-24, 8-25 | WA-15Z | 2-4, 5-1 |
| R806017 | 8-18 | R823004 | 8-25 | WA-16 | 5-1 |
| R806018 | 8-18 | R823005 | 8-23, 8-25 | WA-16Z | 5-1 |
| R806019 | 8-20 | R823008 | 8-24 | WA-34Z | 2-26, 5-1, 10-3, 10-6 |
| R806020 | 8-20 | R824000 | 8-23 | WA-35 | 5-1 |
| R806021 | 8-20 | R824001 | 8-24 | WA-116K | 2-3 |
| R806022 | 8-18 | R824003 | 8-23 | Z64-3276-P-16 | 9-1 |
| R806023 | 8-18 | R824004 | 8-24 | Z65-3276-J-10 | 9-1 |
| R806024 | 8-18 | R824007 | 8-24 | Z66-3276-P-16 | 9-1 |
| R806025 | 8-19 | R824009 | 8-23 | Z71-3276-P-16 | 9-1 |
| R806026 | 8-18 | R825000 | 8-25 | | |
| R806500 | 8-19 | R825001 | 8-25 | | |
| R806501 | 8-19 | R825002 | 8-24 | | |
| R806502 | 8-19 | R825002 | 8-25 | | |
| R806503 | 8-19 | R825003 | 8-25 | | |
| R806504 | 8-19 | R825004 | 8-24, 8-25 | | |
| R806505 | 8-19 | R825005 | 8-25 | | |
| R806507 | 8-19 | R825006 | 8-25 | | |
| R810012 | 8-15 | R825007 | 8-23, 8-25 | | |
| R810013LW | 8-15 | R825008 | 8-25 | | |
| R810015LW | 8-15 | R825009 | 8-23, 8-25 | | |
| R810016LW | 8-15 | R825010 | 8-25 | | |
| R810018 | 8-15 | R825011 | 8-25 | | |
| R810019 | 8-15 | R825012 | 8-25 | | |
| R810020 | 8-15 | R825013 | 8-24, 8-25 | | |
| R810021 | 8-15 | R825014 | 8-25 | | |
| R810022 | 8-15 | R825015 | 8-25 | | |
| R810023 | 8-15 | R825016 | 8-25 | | |
| R810024 | 8-15 | R825017 | 8-24, 8-25 | | |
| R810025 | 8-15 | R825018 | 8-24, 8-25 | | |
| R810300 | 8-18, 8-22 | R825019 | 8-25 | | |
| R810301 | 8-22 | R825020 | 8-24, 8-25 | | |
| R810302 | 8-18, 8-22 | R870016 | 9-ii | | |
| R810303 | 8-22 | R870020 | 9-ii | | |
| R810305 | 8-18 | R870024 | 9-ii | | |
| R810306 | 8-18, 8-22 | R870030 | 9-ii | | |
| R810308 | 8-22 | R870036 | 9-ii | | |
| R810310 | 8-22 | RV-387 | 4-8 | | |
| R810312 | 8-22 | RV-3109S | 4-8 | | |
| R810317 | 8-21 | RV-31010S | 4-8 | | |
| R810318 | 8-21 | S-146 | 2-26, 5-ii, 10-3, 10-6 | | |
| R810319 | 8-21 | S-248 | 2-7, 2-26, 5-ii | | |
| R810320 | 8-21 | S-255Z | 5-ii | | |
| R810321 | 8-21 | S-258-2 | 2-4, 5-ii | | |
| R810322 | 8-21 | S-264B | 5-ii | | |
| R810323 | 8-21 | S-265D | 2-18 | | |
| R810324 | 8-21 | S-266D | 2-18, 2-25, 5-ii | | |
| R810325 | 8-21 | S-268-2 | 5-ii | | |
| R810326 | 8-21 | S-843 | 2-3 | | |
| R810327 | 8-21 | S-1812-2 | 5-ii | | |

MERITOR AFTERMARKET PARTS WARRANTY

We warrant all new parts for one year from date of shipment to the buyer against defective material or workmanship (but not against damage caused by accident, abuse or improper installation, maintenance or repair) when such parts are used on vehicles the specifications of which have been approved by our Engineering Department.

As the exclusive remedy under this warranty, we will, at our option, repair or replace such parts free of charge, or take back the nonconforming parts and refund the monies paid by buyer for such parts, if found on examination by us to be nonconforming and if any necessary return charges are prepaid.

If it is necessary to return any parts under this warranty, buyer agrees not to make any deduction on account thereof from remittances on current accounts while claims are in the process of disposition. Any expense incurred without our consent for repairs or replacement will not be allowed.

THIS WARRANTY IS EXPRESSLY IN LIEU OF ALL OTHER WARRANTIES OR CONDITIONS, EXPRESS, IMPLIED OR STATUTORY, INCLUDING ANY IMPLIED WARRANTY OF MERCHANTABILITY OR FITNESS FOR PARTICULAR PURPOSE. IN NO EVENT SHALL SELLER BE LIABLE FOR INCIDENTAL OR CONSEQUENTIAL DAMAGES OF ANY NATURE.

Only genuine Meritor replacement parts are covered by this aftermarket parts warranty.

Vehicle models, brands and names depicted herein are the property of their respective owners, and are not in any way associated with Meritor, Inc., or its affiliates.



Meritor Heavy Vehicle Systems, LLC
7975 Dixie Highway
Florence, Kentucky 41042 USA

888-725-9355 U.S.
800-387-3889 Canada
MeritorPartsOnline.com
meritor.com

©2013 Meritor, Inc.
Litho in USA, PB-8857
Revised 03-13 (47865/11900)